

**ATECPOOL**

**BWT** GROUP

INSPIRED  
ByWater



2026/27

# Product Catalogue

**ATECPOOL** — POOL & SPA

For You and Planet Blue.



atecpool.com

**ATECPOOL**

 **BWT** GROUP

# Product Catalogue

2026/27

**INSPIRED  
ByWater**





# ATECPPOOL

---

 **BWT** GROUP

 [atecpool.com](https://atecpool.com)



A global brand with global responsibility

# INSPIRED ByWater

**ECO  
FRIENDLY**

**QUALITY  
COMMITTED**

**ISO  
CERTIFIED**

ISO 9001:2015





# Shaping the Future of Water. Together.



## The Future of Water

**Atecpool** and **BWT** come together to shape a new chapter in the pool industry. This strategic union brings together decades of expertise, advanced engineering, and a shared vision to drive innovation, elevate performance, and define new benchmarks of excellence across the global market.

With over 45 years of experience, **Atecpool** has built a strong and successful presence in the Middle East, supported by an established operational hub in Dubai, UAE. Our deep market knowledge, long-standing partnerships, and proven track record position us as a trusted reference for premium pool solutions in the region and beyond.

Our portfolio encompasses intelligent, connected products designed to enhance every aspect of the pool experience — from water care and treatment systems to efficient heating solutions and advanced robotic pool cleaners. By integrating smart technologies with high-quality design and engineering, we deliver solutions that optimize performance, efficiency, and user comfort while promoting responsible water and energy use.

Chosen for world-class sporting events, luxury hospitality projects, and high-end residential developments, **Atecpool** continues to evolve alongside its partners, leading the industry toward a more innovative, sustainable, and refined future.

Integrating luxury pool innovation with world-leading water treatment for a sustainable future.

**For You and Planet Blue.**



# BWT

# Best Water Technology

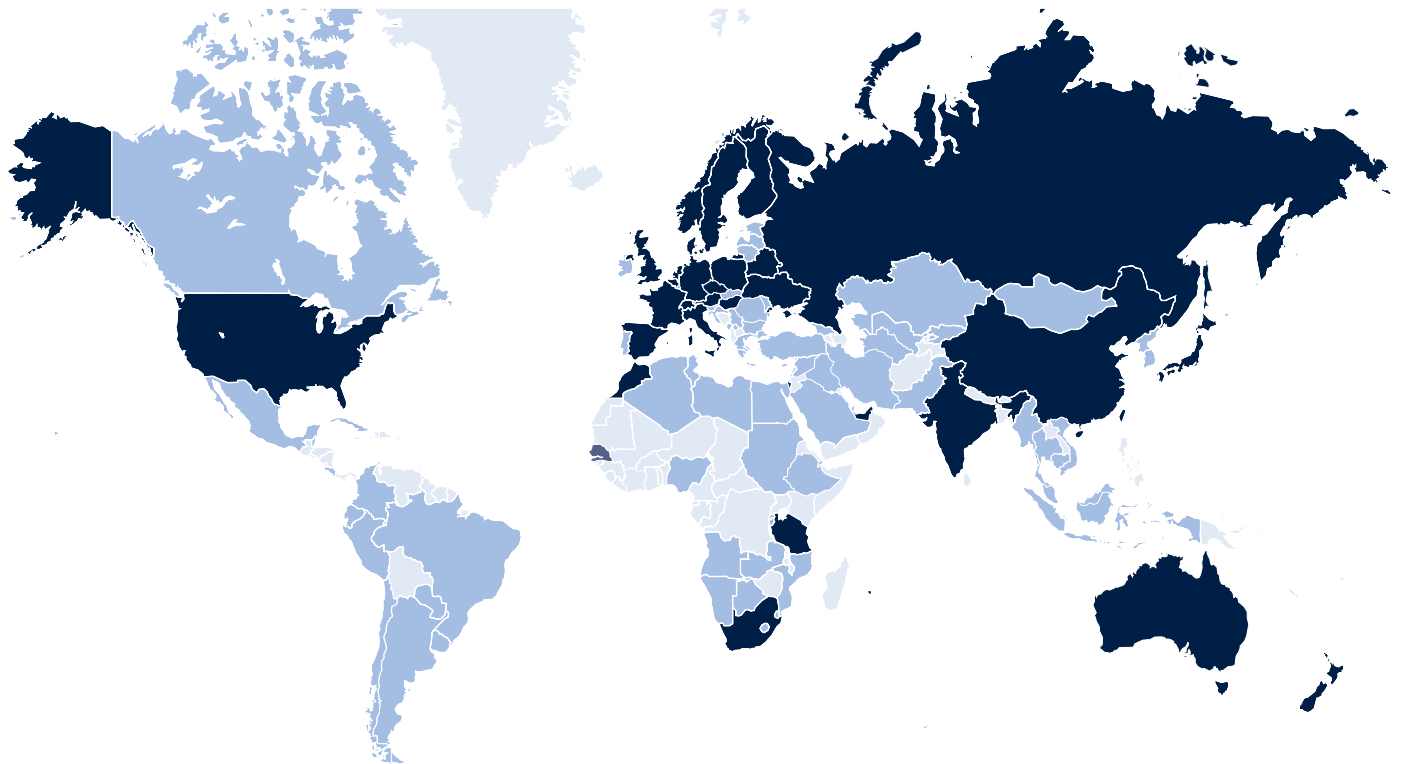
## Market Leader in Water Technology

An expert in water treatment for more than 35 years, the BWT Group offers a complete range of products and services to transform any water into a high-quality water that meets the hygiene, safety and energy comfort requirements expected by our customers.

**>6500**  
Employees  
worldwide

**13**  
R&D  
Centres

**12**  
Production  
sites



Legend: ● = BWT Subsidiary    ● = BWT Distribution partner



# Building a better future, for You and Planet Blue.



## Working with our solutions means:

### More sustainable manufacturing



- » Focus on responsible design: reduced plastic, minimal packaging, kraft cardboard, fewer materials.

### Services and manufacturer's warranties



- » By offering product warranties of up to 10 years on main parts.
  - » Including commissioning and maintenance contract carried out by our technicians.
- » By creating digital tools to simplify local monitoring and assistance, to make it easier to get to grips with any situation.

### Product reparability



- » By providing access to spare parts for the entire life of the product and beyond for essential products.
- » Lower costs by replacing wear parts instead of entire components.



**BWT**



## Our know-how for all markets

Wherever there is water, BWT is there to provide the best water



**CHANGE  
THE  
WORLD**  
*sip by sip*

WT



# Enjoy perfect locally mineralized BWT Drinking Water

Any time. Any place.



 **CHANGE  
THE WORLD**  
*sip by sip*



# BWT

## Join our Mission

Let's say no to single-use bottles

### Working together for a sustainable future - sip by sip

At BWT, we revere water and firmly believe that each of us can make a difference to the future of our planet. Our mission, «Change the World - sip by sip,» is more than a slogan: it's our contribution to a sustainable future.

### Fascination with water

Our corporate culture is characterized by a strong focus on sustainability and environmental awareness. We offer innovative products, with pioneering technologies and comprehensive services in all areas of water treatment.

The goal is not only to set new safety and hygiene standards but also to promote well-being in water use: enjoying water responsibly and at the highest level, with the highest quality standards.

### Prioritizing local water

BWT aims to provide best quality, hygiene, and safe water for all consumers by mineralizing local water — a sustainable contribution to preserving our Blue Planet for future generations.

High-quality, locally sourced water that limits the production and transport of single-use plastic bottles, thus preventing excessive waste and, consequently, the generation of microplastics. BWT is committed to an alternative to plastic.



Together, let's  
make the world  
a better place  
- sip by sip.

## Our company

Established in 2002, **Atecpool** has built a strong reputation within the swimming pool and water treatment industry, driven by deep regional expertise and a global collaborative approach. With a long-standing and successful presence in the Middle East, the group combines local market knowledge with international engineering capabilities to deliver high-performance, premium solutions.

**Atecpool's** commitment to quality, innovation, and sustainability is reflected in every system we develop. Our products are engineered to meet the most demanding technical standards while ensuring reliability, intuitive operation, and responsible use of water and energy. Through

close collaboration with global manufacturing and technology partners, we deliver solutions trusted by professionals across diverse markets.

Quality assurance remains a core pillar of **Atecpool's** philosophy. Supported by the strength, scale, and technological leadership of **BWT**, we continue to evolve our portfolio with intelligent, sustainable, and future-ready solutions that set new benchmarks for the pool industry.



## Our commitment

At **Atecpool**, customer satisfaction is at the core of everything we do. We are committed to delivering sustainable, technologically advanced, and environmentally responsible solutions that respond to the evolving needs of the

pool and water treatment market. Our portfolio spans from accessible systems to advanced, future-ready technologies, all adaptable to specific technical and project requirements.



# ATECPOOL

**BWT** GROUP

## Design & engineering

Our Production and Quality Management teams ensure excellence across the design and engineering of all **Atecpool** solutions. Supported by rigorous quality assurance processes, our specialists are committed to delivering premium, high-end systems that consistently meet and exceed client expectations.

With over 45 years of experience in the pool industry, **Atecpool** has not only witnessed key technological evolutions but has actively contributed to shaping them. Through the development of intelligent, connected solutions for monitoring, control, and performance optimization, we continue to lead the way in smart pool technologies.

# ATECPPOOL

 **BWT** GROUP



INSPIRED  
ByWater

For You  
and Planet Blue

INSPIRED  
ByWater

[atecpool.com](http://atecpool.com)

atecpool.com

**ATECPPOOL**

**BWT** GROUP

# Highlighted Products

2026

**INSPIRED  
ByWater**



PERFECT  
MOMENT.

PERFECT  
**POOL.**

**GASSNER.**  
STAINLESS LUXURY IN POOL

ARRIVE.  
RELAX.  
FEEL GOOD.

# AT HOME.

'STAINLESS LUXURY IN POOL' STANDS FOR THE EXCLUSIVE ELEGANCE AND HIGHEST QUALITY OF GASSNER STAINLESS STEEL POOLS, WHICH COMBINE DURABILITY AND TIMELESS DESIGN.

The pool as a place of relaxation and unforgettable experiences – that is what the company GASSNER represents. Decades of experience in swimming pool and stainless steel pool construction go into the high-quality, customized pool solutions that unite aesthetics and design with first-class craftsmanship.

## THE GASSNER SERVICE PACKAGE INCLUDES:

---

- Personalized, individual consultation
- Spacious showroom for an immersive pool experience
- State-of-the-art 3D planning
- Comprehensive project design & management
- Manufacturing using cutting-edge CNC technology
- Full-service provider, including water treatment systems
- Service and maintenance
- Made in Austria

# FOR GENERATIONS. AND GENERATIONS TO COME.

 [edelstahl-pool.at](https://edelstahl-pool.at)

GASSNER.

STAINLESS LUXURY IN POOL

PERFECT MIRROR

POOL.

PERFECT  
MOMENT.

# MIRROR

POOL.

## DESIGN MEETS PURE ELEGANCE.

The Mirror Pool invites you to immerse yourself in a mirror-like water surface that blurs the boundaries of the pool, thanks to its uninterrupted, linear perspectives, creating a sense of limitless expanse. An elegant stainless steel basin with an innovative edge and premium materials come together in a composition that reflects both sophistication and modern aesthetics.

- Timeless design, clean lines, and pure elegance
- Unique pool edging for a mirror-smooth water surface
- Seamless waterline for a visually limitless expanse
- Stainless steel as a durable and long-lasting material
- Superior hydraulics for optimal water quality
- Easy cleaning
- One-piece basin for efficient transport and installation
- Available in standard as well as custom sizes
- Additional accessories and custom features available for enhanced comfort.
- Various models and sizes available

## MINIMALISTIC DESIGN.



GASSNER.

STAINLESS LUXURY IN POOL

PERFECT ICE

# MIRROR TUB.

PERFECT  
MOMENT.

PERFECT  
MOMENT.

Design. Well-being. Vitality.

The ICE MIRROR TUB from GASSNER, winner of the falstaff LIVING Design Award, is more than just an ice pool – it combines invigorating cold and soothing warmth (0–40 °C) to create a unique experience for body and soul. Individual. Intuitive. Anytime. When stainless steel meets natural stone and fine wood, the result is an elegant, compact statement piece that blends harmoniously into gardens, terraces, or spa areas.

The ICE MIRROR TUB from GASSNER –  
your ENERGY BOOST for the whole year.

falstaff  
LIVING  
DESIGN  
AWARDS 2025



PERFECT ICE  
MIRROR TUB.





Diamond cell



# The Diamond Cell Exclusivity

## Limited edition worldwide

**Each Diamond Cell is unique and individually numbered.**

Your certificate of authenticity attests to its membership in this exceptional series.

## An exceptional jewel

Like the diamond from which it takes its name, this revolutionary technology symbolizes absolute purity, unalterable strength, and timeless elegance.

The diamond, the world's purest stone, transforms ordinary carbon into crystalline wonder.

Our Diamond Cell - combined with the Best Water Treatment Technologies - similarly transform your pool water into an experience of incomparable clarity.

## A unique experience

Water treated by the Diamond Cell offers a sensation that words struggle to describe - a clarity so perfect it seems to disappear, leaving only that impression of absolute purity on your skin.



**ATECPOOL**

BWT GROUP

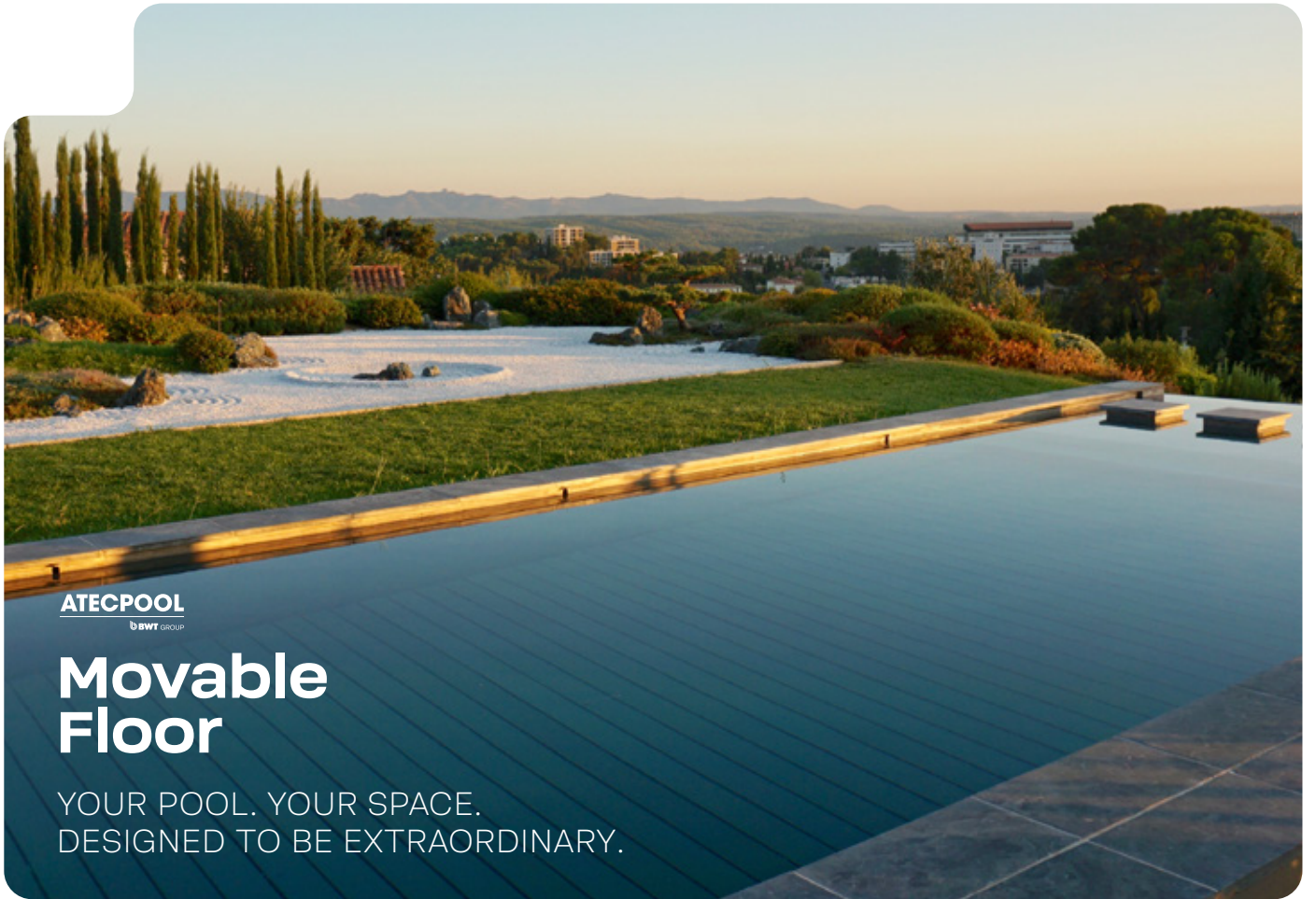
# Intelligent Autonomous Cleaning

The **BWT Diamond Cell robot** redefines autonomous cleaning standards. Thanks to its **advanced algorithms and latest-generation Gyroscope+ navigation system**, it analyzes your pool configuration and automatically determines the optimal path.

Its **exceptional suction power** of 15 m<sup>3</sup>/h combined with Diamond Cell Technology guarantees not only impeccable cleaning but also **constant improvement of water quality** during operation.



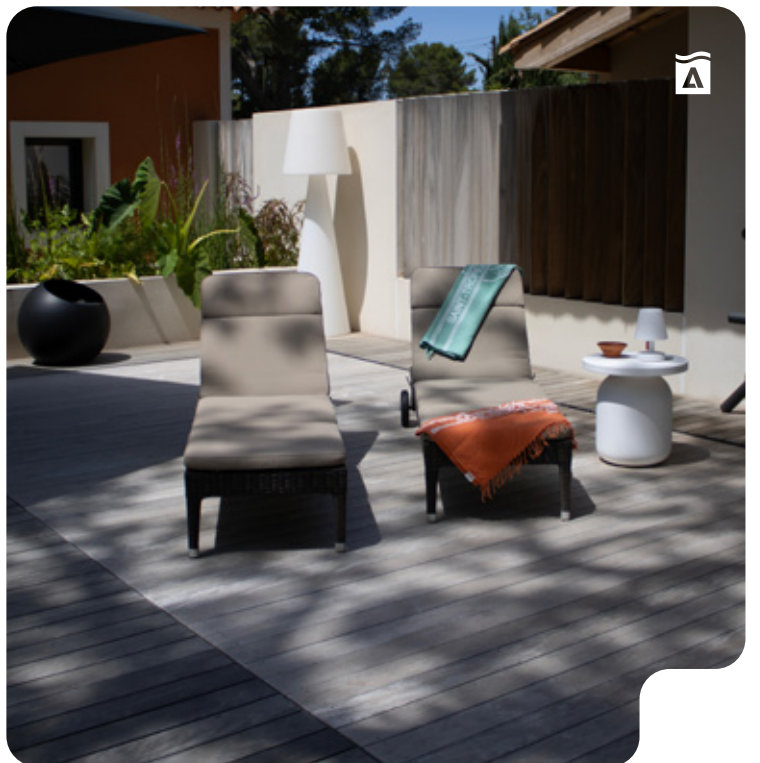
BWT Diamond  
Cell App  
Connection



**ATECPPOOL**  
BWT GROUP

# Movable Floor

YOUR POOL. YOUR SPACE.  
DESIGNED TO BE EXTRAORDINARY.



## UTILITY

### More Than a Safety System

**Versatile Use:** Beyond unmatched safety, adjust your movable floor to match any activity.

**Aesthetic Appeal:** Customize your outdoor space with premium finishes.

**Space Optimization:** Make the most of your outside space year-round.



## ACCESSIBILITY

### An Intuitive Movable Floor

**Simplicity:** Easily operated via mobile app or key switch – accessible for multiple users.

**Adjustable Depth:** Change your pool's depth with a single motion.

**Easy Installation & Maintenance:** Designed for quick setup and hasslefree upkeep.



## DURABILITY

### Refined, High-Quality Technology

**Committed:** Built with reusable materials as part of our environmental and sustainability efforts.





# Commercial & Residential Application

Saves money and reduces chemicals in your pool.



# Atecpool AOP


Advanced Oxidation Process



 ecofriendly

## Regenerative Media Filter

**1** micron filtration

 Saving 96% in water

# Atecpool Regstar Filter

Regenerative Filter



## ATECPOOL REGSTAR

**filtration category** — page n°66

ACPM Regstar filters, available in various models, create a thin perlite layer on the filter elements, acting as a microscopic sieve. This unique “filter layer” gradually builds up, effectively blocking dirt, setting it apart from conventional filters.



## ATECPOOL BSE SERIES

**water treatment category** — page n°247

The ChlorSys BSE Series is a range of electrochlorination system that generates 0.8% sodium hypochlorite using salt, water, and electricity capacities range from 50 g/hr to upwards of 1000 g/hr. Applications include water disinfection, pools, food processing, water sterilization, cooling water treatment in power plants, hospitals, and more.



## ATECPOOL PRO09S

**water treatment category** — page n°259

The panel is designed for the monitoring and adjusting of pH and chlorine levels in swimming pools. It is equipped with two electromagnetic dosing pumps with inbuilt measurement instrument.



## ATECPOOL SIROCCO TORRO

**water heating category** — page n°202

When maintaining pool temperature at 95% of pool season, the Heat Pump is running at 50% capacity which results in the best energy saving performance and most silent pool environment.



## ATECPOOL VARIO

**pump category** — page n°36

Powered by advanced frequency conversion technology, integrated digital intelligence, and a permanent magnet brushless synchronous motor, Atecpool Vario delivers high efficiency, cost-effectiveness, intelligent operation, quiet performance, and enhanced reliability.



## ATECPOOL EUROMAX PRO

**pumps category** — page n°42

Atecpool EuroMaxPro Pump provides strong, reliable and outstanding for residential pool & spas. Ring lock seal design eliminate suction leaks and maximize suction efficiency.



 ecofriendly

## ATECPOOL AOP

**water treatment category** — page n°235

Disinfection and prevention of the formation of unhealthy trichloramine and TOC reduction in one compact system is the most effective pool water treatment technology with the fastest return on investment.



 ecofriendly

## ATECPOOL PROFIPURE

**water treatment category** — page n°237

Smallest medium pressure UV you can get. Permanent chlorine-free disinfection and elimination of unhealthy trichloramine in one compact system with healthy pool technology.



 ecofriendly

## ATECPOOL BWT POOL COVERS

**pool covers category** — page n°432

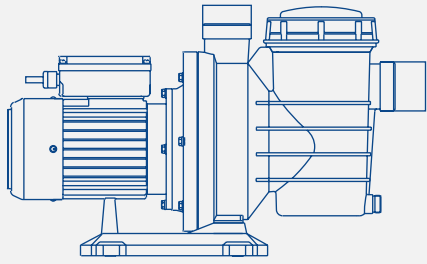
A unique, complete and aesthetic range of automatic covers for a Safe, Sustainable and Clean pool. Durable pool cover that enhances safety, reduces heat loss, evaporation, energy and water costs, while keeping the pool clean and limiting algae growth.



## PEARL WATER GENERATOR HOME

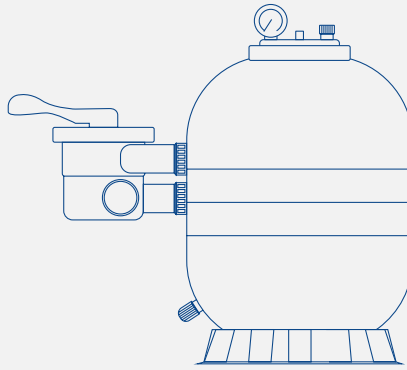
**water treatment category** — page n°270

Silky-soft, Limescale-Free and pH-Neutral



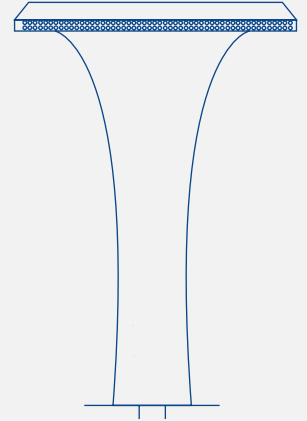
## 1 / PUMPS

page 35



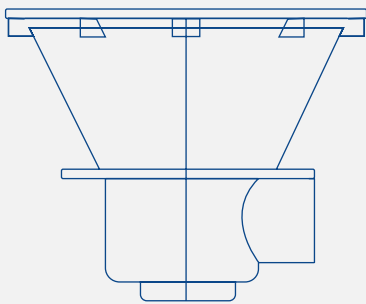
## 2 / FILTRATION

page 63



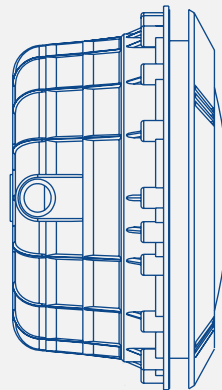
## 3 / POOL SURROUND

page 97



## 4 / POOL & SPA FITTINGS

page 127



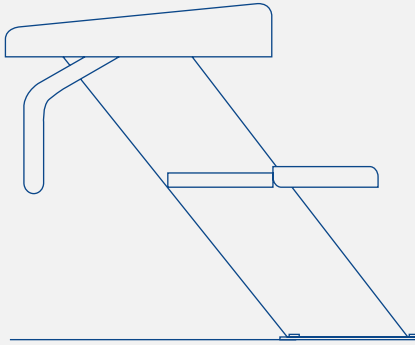
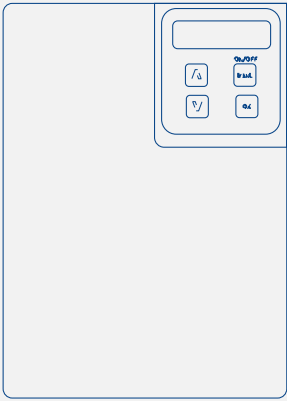
## 5 / POOL LIGHTING

page 163



## 6 / POOL HEATING

page 199



RAINBOW  
by ATECPOOL

**7 / WATER TREATMENT**

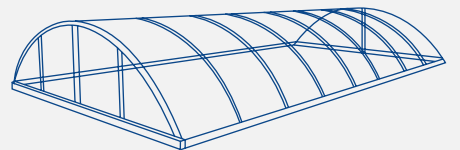
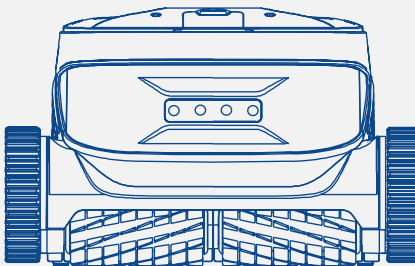
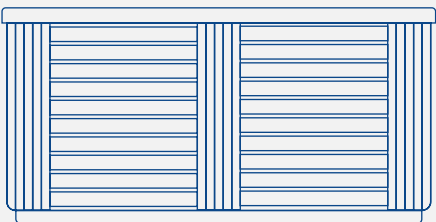
page 231

**8 / COMPETITION EQUIPMENT**

page 275

**9 / RAINBOW FOUNTAIN**

page 289



**10 / WELLNESS**

page 327

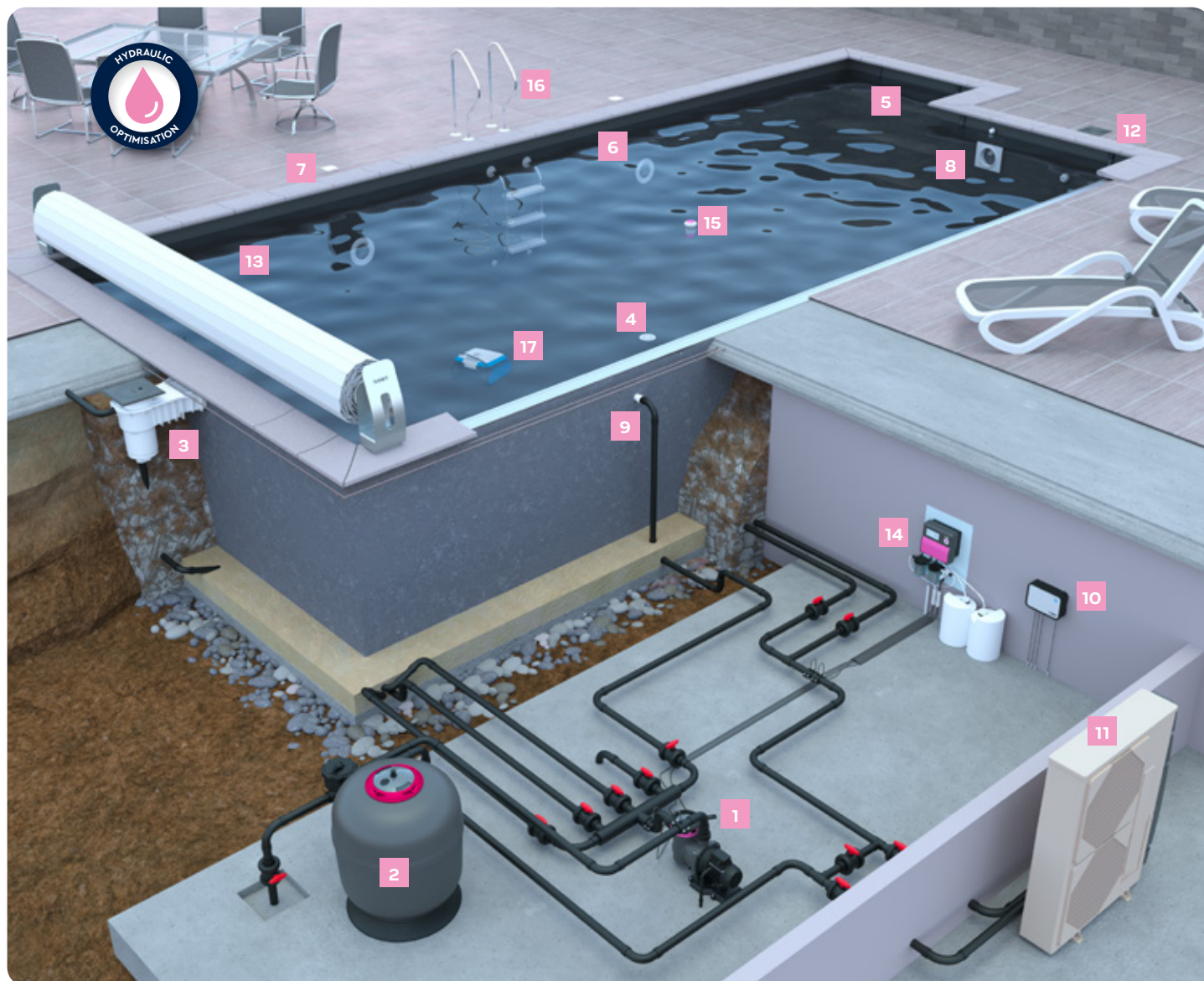
**11 / CLEANING EQUIPMENT**

page 381

**12 / POOL COVERS**

page 431

# Hydraulic Circuit



- 1** Self-priming pump with prefilter - Eurostar
- 2** Filter with 6-way valve - BWT RTM HF
- 3** Skimmer, recommended flow rate for each skimmer:
  - between 3 and 8 m<sup>3</sup>/h with a Ø 50 mm port
  - between 5 and 12 m<sup>3</sup>/h with a Ø 63 mm port
- 4** Dual function main drain:
  - filtration suction (recommended 30% of the recycling volume)
  - draining the pool
- 5** Return fitting with or without directional jet. Recommended flow rate per return fitting:
  - between 3 and 10 m<sup>3</sup>/h with a Ø 50 mm port
  - between 5 and 12 m<sup>3</sup>/h with a Ø 63 mm port
- 6** Low voltage underwater LED light (12 V)
- 7** Deck box
- 8** Counterswim unit
- 9** Vacuum point
- 10** Electrical panel - BWT Pearl Connect
- 11** Heat pump - BWT M.P.I.
- 12** Level controller
- 13** Automatic slatted cover - BWT Pearl Protect
- 14** Automatic regulation BWT Medo connect duo
- 15** BWT Pearl Water Manager
- 16** Ladder - Rambouillet
- 17** Robotic Pool cleaners Cosmy the bot



# Best Pool Performance

THE RIGHT SIZING MAKES ALL THE DIFFERENCE

An efficient pool system starts with properly matched pipes, pumps, and filters. When every component works in balance, you get better circulation, cleaner water, and lower operating costs.

# 100%

best water circulation with correct system sizing

Designed for performance.  
Built for reliability.



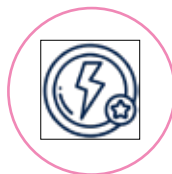
### Balanced water flow

Correct pipe sizing ensures smooth circulation, preventing pressure loss and improving overall system efficiency.



### Efficient filtration

A properly sized filter processes water at the ideal speed, capturing impurities without restricting flow.



### Right-sized pump power

Matching pump capacity to your pool avoids energy waste while maintaining strong and consistent performance.



### Reduced maintenance

Well-sized systems experience less strain, leading to fewer breakdowns and longer equipment life.

## Filtration Selection Guide

Pool volume (m <sup>3</sup> )	Flow Rate with Turn Over Period of 4 Hours (m <sup>3</sup> /h)	Filter Ø (mm)	Pump (HP)
10	2.5	350	0.3
20-30	5-7.5	450	0.5
30-40	7.5-10	500	0.75
50-60	12.5-15	650	1
70-80	17.5-20	700	1.5
80-90	20-22.5	800	2
90-115	22.5-28.75	900	3
140-150	35-37.5	1000	4
170-220	42.5-55	1200	5.5

Note: Filtration Speed: 50m<sup>3</sup>/h/m<sup>2</sup> for Residential

## Flowrate and Pipe Sizes

Inches	Metric (mm)	Flow rate - Suction (1.2 m/s) (m <sup>3</sup> /h)	Flow rate - Discharge (2 m/s) (m <sup>3</sup> /h)
1/2"	20	1	1.7
3/4"	25	1.6	2.7
1"	32	2.7	4.5
1 1/4"	40	4.4	7.3
1 1/2"	50	7.5	12.6
2"	63	11	18.4
2 1/2"	75	15.7	26.2
3"	90	22.3	37.1

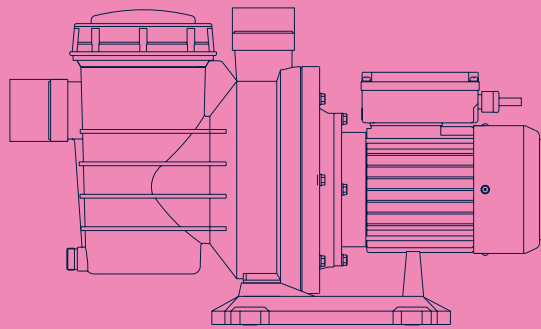


INSPIRED  
ByWater

[atecpool.com](http://atecpool.com)



# 0 Pumps



INSPIRED  
ByWater

[atecpool.com](http://atecpool.com)

**ATECPOOL**

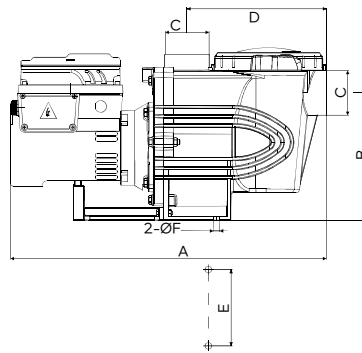
 **BWT GROUP**

# Atecpool Vario

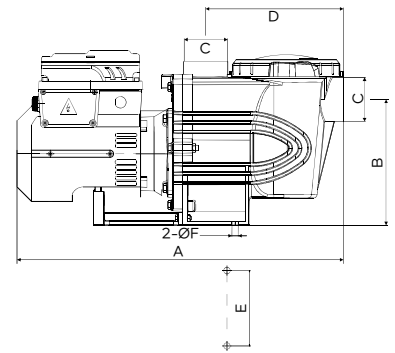
## VARIABLE SPEED PUMP



VSP100



VSP300



### Atecpool Vario

Powered by advanced frequency conversion technology, integrated digital intelligence, and a permanent magnet brushless synchronous motor, Atecpool Vario delivers high efficiency, cost-effectiveness, intelligent operation, quiet performance, and enhanced reliability.

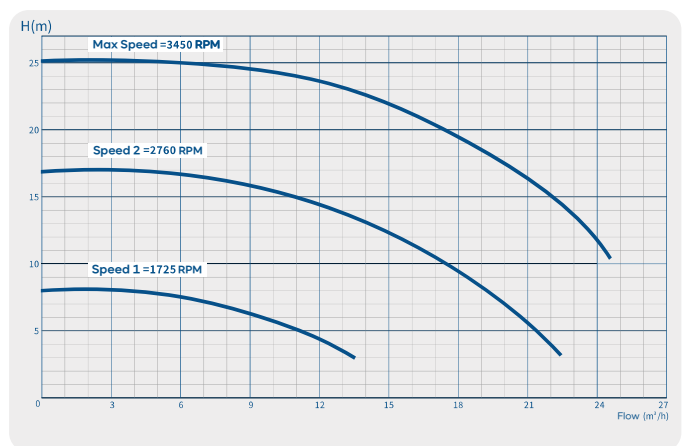
### Specifications

- Quieter operation - less than 48 decibels
- Permanent magnet brushless synchronous motor
- User friendly programming on 2.4 inch LCD
- Dry-run protection, overheating, voltage fluctuation, freezing and over-current protection
- Power supply - 208-240V/50-60Hz
- EagleBurgmann BT mechanical seals
- IE4 motor, Motor insulation: Class F
- Built-in diagnostic for longer service life
- Designed for pool automation with maximum energy efficiency
- Safety release system enabled through over-current protection
- Pump casing glass fiber reinforced ABS, Impeller - PPO
- Strainer basket and base in PP and glass fiber
- Motor shaft - 316 stainless steel

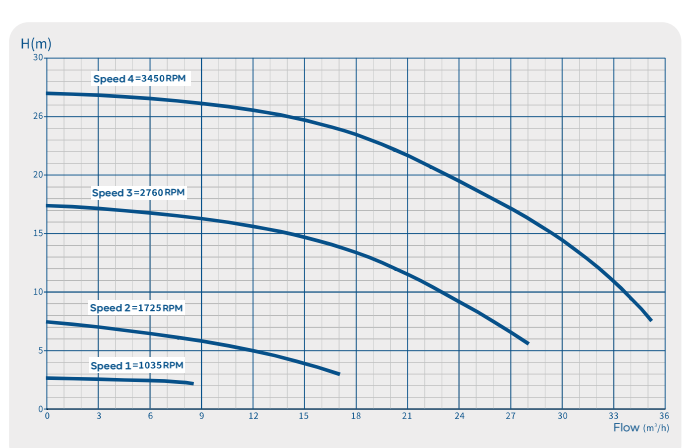
### Technical Data 50-60Hz (IE4)

Model	Speed	RPM	Power Consumption
VSP100	50%	1725	150-300W
	80%	2760	500-900W
	100%	3450	800-1700W
VSP300	30%	1035	20-110W
	50%	1725	180-400W
	80%	2760	600-1400W
	100%	3450	1100-2600W

### Performance Graph VSP100



### Performance Graph VSP300



### Dimensions

Model	Power		Dimensions					
	HP	kW	A	B	C	D	E	F
VSP100	1,5	1,1	570	230	G2"	250	138,5	12
VSP300	3,0	2,2	600	230	G2"	250	154	12

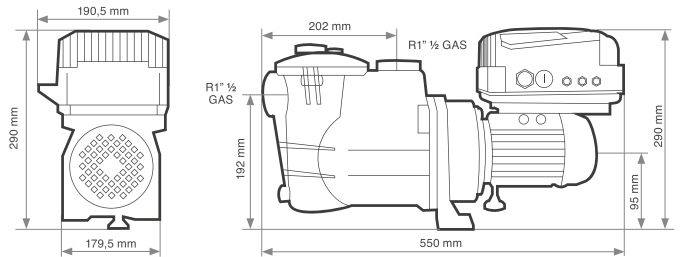
# Atecpool Solar Pump

DIRECT CONNECTION TO SOLAR PANELS



## Atecpool Solar Pump

Centrifugal pump, for direct connection to solar panels or an electrical grid.

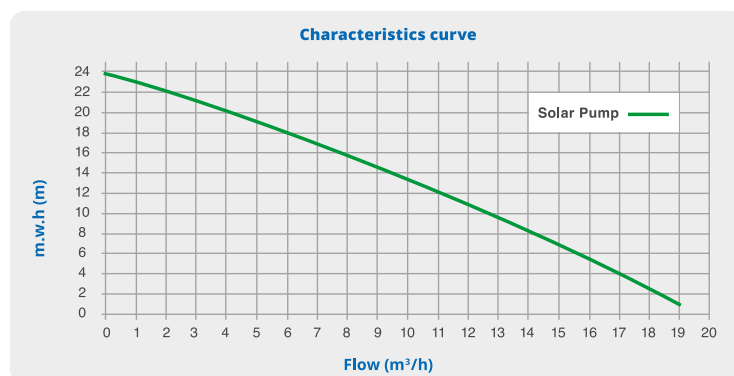


### Specifications

- High energy efficiency achieved due to photovoltaic panels
- Variable speed operation depending on solar radiation
- Electronic configuration improves duty point
- Energy saving due to solar panel power
- Low noise operation
- IP55 for humid and dusty environments
- Mechanical integration of motor and inverter
- Powered by solar panels or standard AC/DC with optional module
- Integrated inverter in aluminum with an independent ventilation system to guarantee excellent thermal performance
- Synchronous three-phase motor
- High efficiency permanent magnets
- Mobile app and Bluetooth connection used to set and monitor different parameters

### Pump Materials

- Pump body: polypropylene +30% GF
- Impeller and diffuser: noryl + 30% GF
- Shaft: stainless steel AISI 316L
- Mechanical seal: carbon + resin - ceramics
- Pre-filter cover: polycarbonate
- Pre-filter basket: polypropylene +5% GF



### Technical Data

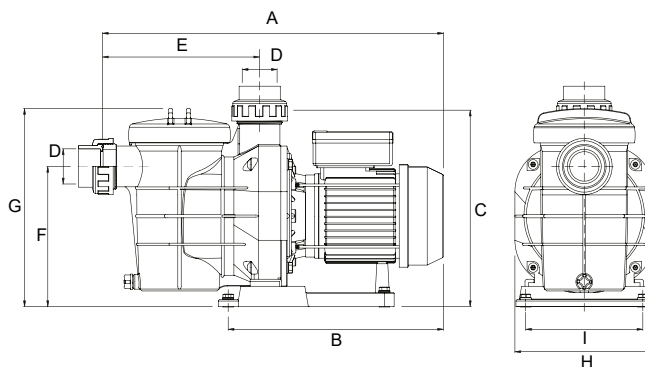
Model	Frequency	Input Current	Input Voltage	Enclosure Rating	Motor insulation	Communication	Input	Output settings	In-out
ASOLAR100	48 ~ 62 Hz	11A PF:1	90~400VDC 1x90-265 V AC	IP55 (NEMA-4)	Class F	RS485, MODBUS RTU protocol	4 analog inputs (10 or 15 VDC)	Two digital output N.O. or N.C.	1 1/2"

# Atecpool America

## SELF-PRIMING PUMP

Available in  
**50/60**  
Hz

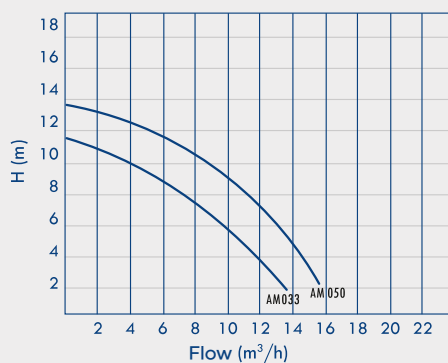
Energy  
Efficiency  
**IE3**



### Atecpool America

- ➔ Self-priming electric pump for swimming pools, with built-in pre-filter
- ➔ Pre-filter with transparent lid in polycarbonate which allows easy observation of the pre-filter basket
- ➔ The pre-filter is closed by means of a thread
- ➔ Pump body lid and diffuser in Noryl
- ➔ Pump body made in polypropylene reinforced with fiberglass, resistant to the swimming pool chemicals
- ➔ Noryl impeller with shaft in stainless steel AISI 316L
- ➔ Mechanical seal in graphite and ceramics.
- ➔ 60Hz upon request
- ➔ Enclosed motor, low-noise operation, with IP-55 protection, 2,850 rpm 230V - 50Hz single-phase or 230 / 400V - 50Hz three-phase
- ➔ Suction and discharge connections: 2 1/4" for Ø50 mm bush connections
- ➔ Suction and return unions D50 included
- ➔ Supplied with both mm and inch fittings
- ➔ Motor insulation: Class F

### Performance Graphs



### Technical Data 50Hz (IE3)

Model	Power		Manometric Height w.c.m.							
	HP	kW	2	4	6	8	10	12	14	16
			Flow m³/h							
<b>AM033M</b>	0,3	0,25	13	12	10	7	4	-	-	-
<b>AM050M</b>	0,5	0,37	-	15	13	11	9	5	-	-

### Dimensions

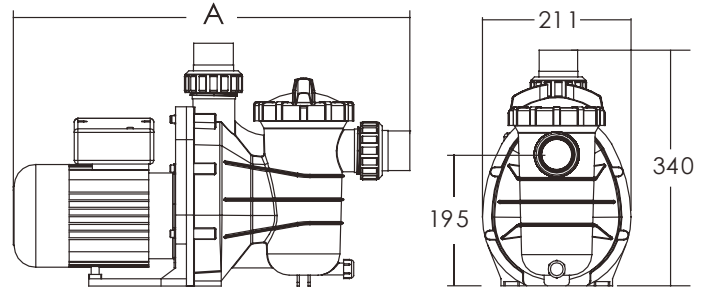
Model	Power		Dimensions									Weight	Volume
	HP	kW	A	B	C	D	E	F	G	H	I		
<b>AM033M</b>	0,3	0,25	475	296	280	Ø 50	225	200	285	199	168	9,7	0,059
<b>AM050M</b>	0,5	0,37	475	296	280	Ø 50	225	200	285	199	168	10	0,059

# Atecpool FlowMax

## SELF-PRIMING PUMP

Available in  
**50/60**  
Hz

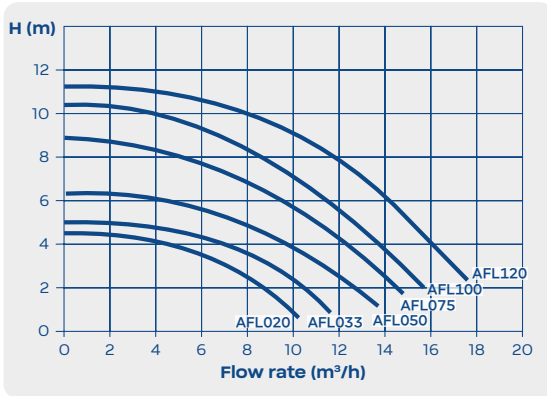
Energy  
Efficiency  
**IE3**



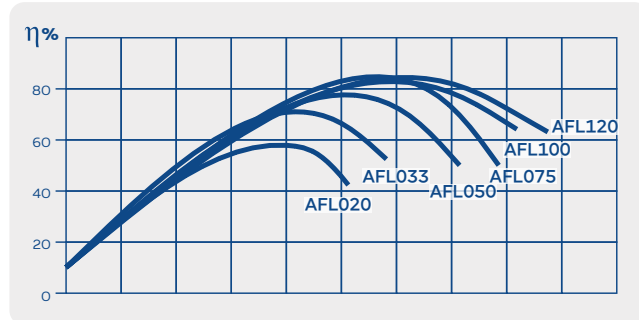
### Atecpool FlowMax

- Asynchronous, Two-pole motor
- Motor: 50Hz / 2,850 rpm
- IPX5 Waterproof standard
- Built-in thermal protection
- Overload protection
- External heat sink
- Special design union compatible for both Imperial and metric measurement standard
- S.S.316 Shaft
- S.S.316 Mechanical seal
- Motor insulation: Class B
- Low noise level
- Energy savings and easy maintenance
- Available in 50Hz or 60Hz with 230V/110V
- 1.5"/50mm suction and discharge port with transparent lid

### Performance Graphs



### Efficiency Graphs



### Technical Data 50Hz (IE3)

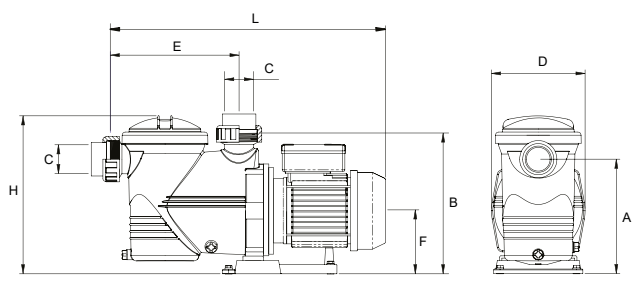
Model	Power		A	Manometric Height w.c.m.					Weight	A	Noise	
	HP	KW		2	4	6	8	10				
				Flow m³/h					kg	Width	mm	dB
<b>AFL020</b>	0,2	0,28	1,5	8,4	4	-	-	-	6,2	507	55	
<b>AFL030</b>	0,33	0,43	2	10,4	7	-	-	-	6,5	507	55	
<b>AFL050</b>	0,5	0,55	2,5	12,4	10	4	-	-	8,0	552	60	
<b>AFL075</b>	0,75	0,75	3,5	14,4	12,2	9,4	5	-	9,0	552	60	
<b>AFL100</b>	1,0	0,90	4,7	15,2	13,8	11,4	8,4	4	9,1	552	65	
<b>AFL120</b>	1,2	0,97	5,8	18	16	14	12	8	11,00	552	65	

# Atecpool Niagara

## SELF-PRIMING PUMP

Available in  
**50/60**  
Hz

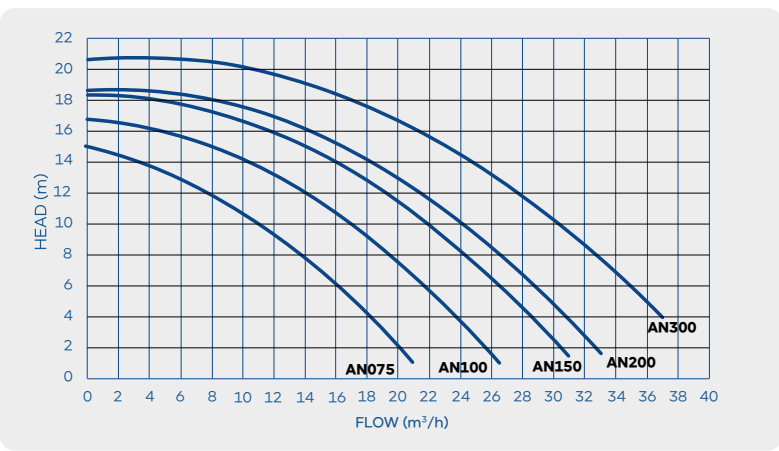
Energy  
Efficiency  
**IE3**



### Atecpool Niagara

- ➔ Self-priming electric pump for swimming pools, with built-in pre-filter
- ➔ Pre-filter with transparent lid in polycarbonate that allows easy observation of the pre-filter basket
- ➔ The pre-filter is closed by means of a thread.
- ➔ Pump body made in polypropylene reinforced with fiberglass, resistant to the swimming pool chemicals
- ➔ Pump body lid and diffuser in Noryl.
- ➔ Noryl impeller with shaft in stainless steel AISI 316L
- ➔ Mechanical seal in graphite and ceramics.
- ➔ Motor shaft manufactured in stainless steel AISI 316L
- ➔ Enclosed motor, totally silent, with IP-55 protection, at 2,850 rpm 230V - 50Hz single-phase or 230 / 400V - 50Hz three phase. 60Hz upon request
- ➔ Connections of suction and return at 2 3/4" for Ø63 mm bush connections
- ➔ Supplied with both mm and inch fittings
- ➔ Motor insulation: Class F

### Performance Graph



Model	Power		Manometric Height w.c.m.									
	HP	kW	2	4	6	8	10	12	14	16	18	20
AN075M	0,75	0,55	20	18,5	16,1	13,7	11	7,8	3,8	-	-	-
AN075T*			20	18,5	16,1	13,7	11	7,8	3,8	-	-	-
AN100M	1	0,75	25,8	23,8	21,5	19,7	16,4	14	10,2	5	-	-
AN100T*			25,8	23,8	21,5	19,7	16,4	14	10,2	5	-	-
AN150M	1,5	1,10	30,5	28,5	26,6	24,2	21,7	19,2	16	12	5	-
AN150T*			30,5	28,5	26,6	24,2	21,7	19,2	16	12	5	-
AN200M	2	1,50	32,8	31	28,8	26,5	24	21,6	18,2	14,2	8	-
AN200T*			32,8	31	28,8	26,5	24	21,6	18,2	14,2	8	-
AN300M	3	2,20	-	37	35	32,8	29,9	27,9	25	21,6	17	10,8
AN300T			-	37	35	32,8	29,9	27,9	25	21,6	17	10,8

### Technical Data 50Hz (IE3)

Model	Power		Dimensions								Weight	Volume
	HP	kW	A	B	C	D	E	F	H	L	kg	m³
AN075M	0,75	0,55	250	312	Ø63	205	282	140	348	565	13	0,060
AN075T*												
AN100M	1	0,75	250	312	Ø63	205	282	140	348	565	14	0,060
AN100T*												
AN150M	1,5	1,10	250	312	Ø63	205	282	140	348	590	17	0,060
AN150T*												
AN200M	2	1,50	250	312	Ø63	205	282	140	348	605	19,5	0,060
AN200T*												
AN300M	3	2,20	250	312	Ø63	205	282	140	348	625	22,5	0,060
AN300T												

Note: \*Three-phase motors from 0.75 HP to 2 HP requires minimum order quantities.

Energy Efficient Pumps

Self Priming Pump



# Atecpool EuroMax Pro Pump

**EUROMax** PRO



INSPIRED  
ByWater

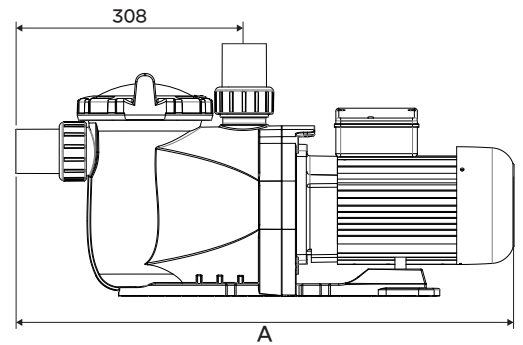
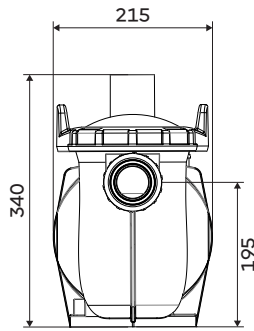
**ATECPOOL**  
BWT GROUP

# Atecpool EuroMax Pro

## SELF-PRIMING PUMP

Available in  
**50/60**  
Hz

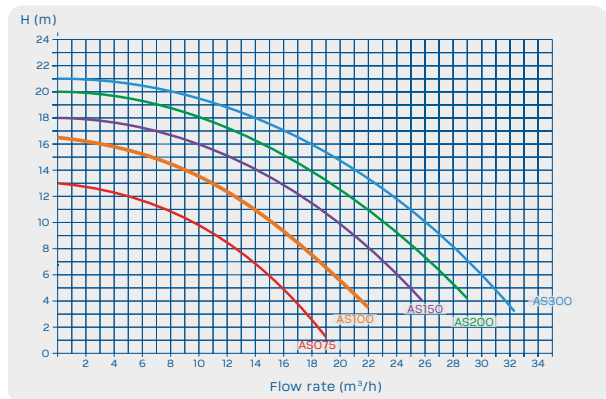
Energy  
Efficiency  
**IE3**



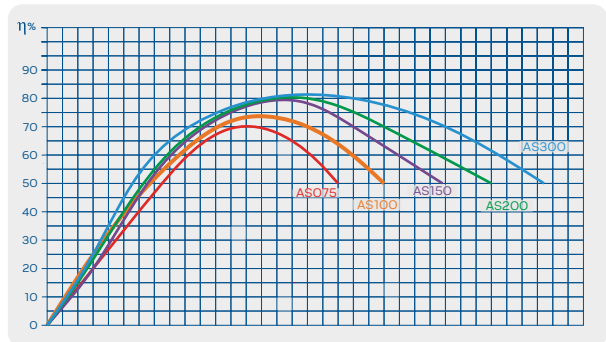
### Atecpool EuroMax Pro

- ➔ Self-priming electric pump for swimming pools, with built-in pre-filter
- ➔ Motor insulation: Class 155(F)
- ➔ Thermal over current protection
- ➔ Pump casing glass fiber reinforced ABS
- ➔ Noryl Impeller
- ➔ Strainer basket and base in PP + glass fiber
- ➔ Motor shaft - 316 stainless steel, seal bellows EPDM
- ➔ Self-Priming up to 2m above water level
- ➔ Testing pressure 50 PSI (3,5 Bar)
- ➔ Basket volume 2 litres
- ➔ IPX5 Waterproof Standard
- ➔ Ring lock seal design eliminates leaks and maximizes suction efficiency
- ➔ Enclosed motor, totally silent, with IP-55 protection
- ➔ 2,850 rpm 230V - 50Hz single-phase or 230 / 400V-50Hz three- phase.
- ➔ Connections of suction and return at 1,5" (50mm)ID /2"(63mm)OD
- ➔ Supplied with both mm and inch fittings
- ➔ 60Hz upon request

### Performance Graph



### Efficiency Graph



### Technical Data 50Hz (IE3)

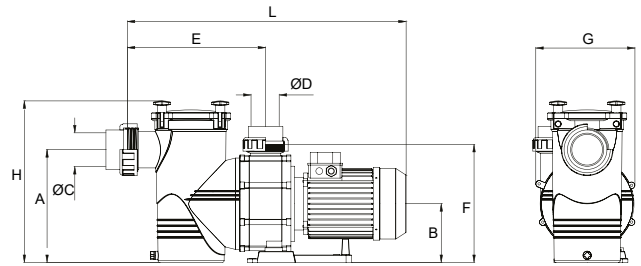
Model	Power		Noise	Manometric Height w.c.m.						Weight	Width
	HP	KW		6	8	10	12	14	16		
			dB	Flow m³/h							
AS075MPRO	0,75	0,55	65	15	12,5	9,5	5	-	-	13,6	652
AS100MPRO	1,0	0,75	65	19,5	17,5	15,2	12,5	9	3	13,8	652
AS100TPRO											
AS150MPRO	1,5	1,10	67	24	22	20	17,5	14	10	14,0	652
AS150TPRO											
AS200MPRO	2,0	1,50	67	27,5	25,5	23	20,5	18	14,5	14,2	652
AS200TPRO											
AS300MPRO	3,0	2,20	68	30	28,2	26	23,8	21	18	14,5	682
AS300TPRO											

# Atecpool Big Discovery

## SELF-PRIMING PUMP

Available in  
**50/60**  
Hz

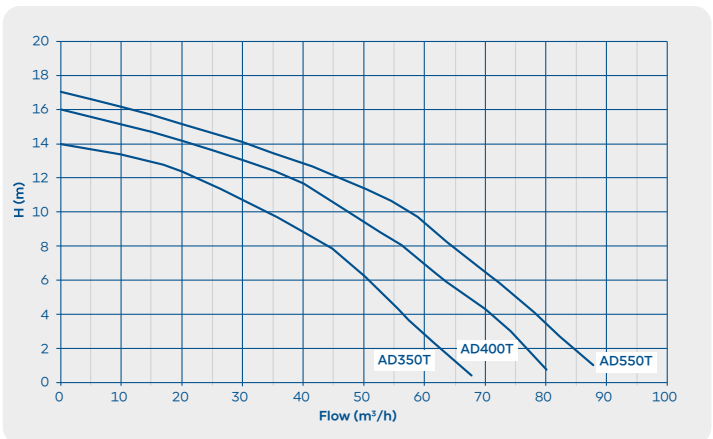
Energy  
Efficiency  
**IE3**



### Atecpool Big Discovery

- Self-priming centrifugal electric pump for swimming pools, self-priming at 2 m
- Built-in pre-filter with great capacity (8 litres)
- Noryl impeller. Bronze impeller on request
- Pre-filter with transparent lid in polycarbonate which allows easy observation of the pre-filter basket. The pre-filter is closed with an easily accessible knob system
- Pump body made in polypropylene reinforced with fiberglass, resistant to the chemical products in the swimming pool
- Mechanical seal in graphite and ceramics
- Motor shaft manufactured in stainless steel AISI 316L.
- Motor with IP-55 protection, at 2,850 r.p.m., 230 / 400V - 50Hz three-phase (upon request 400 / 690V - 50Hz versions available)
- Possibility of 60Hz upon request
- Suction connection Ø90 mm, return connection Ø75 mm. Both supplied with bush connections
- Motor insulation: Class F

### Performance Graph



### Technical Data 50Hz (IE3)

Model	Power		Manometric Height w.c.m.							
	HP	kW	2	4	6	8	10	12	14	16
			Flow m³/h							
AD350T	3	2,2	62,5	56	51	44	34	22,5	-	-
AD400T	4	2,9	77,5	71	63	56	47	37,5	22	-
AD550T	5,5	4	85	78	72	64	57	45,1	31	11

### Dimensions

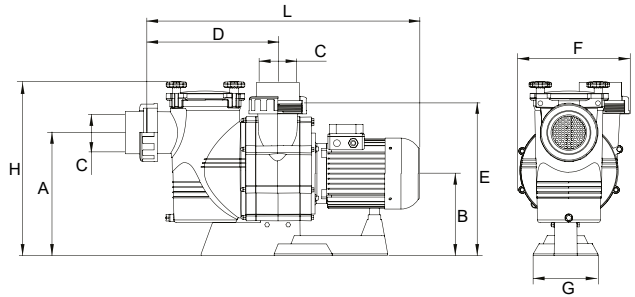
Model	Power		Dimensions									Weight	Volume
	HP	kW	A	B	C	D	E	F	G	H	L		
AD350T	3	2,2	300	160	Ø90	Ø75	368	320	264	431	713	24	0,12
AD400T	4	2,9	300	160	Ø90	Ø75	368	320	264	431	743	27	0,12
AD550T	5,5	4	300	160	Ø90	Ø75	368	320	264	431	743	29	0,12

# Atecpool Aeres

## CENTRIFUGAL PUMP

Available in  
**50/60**  
Hz

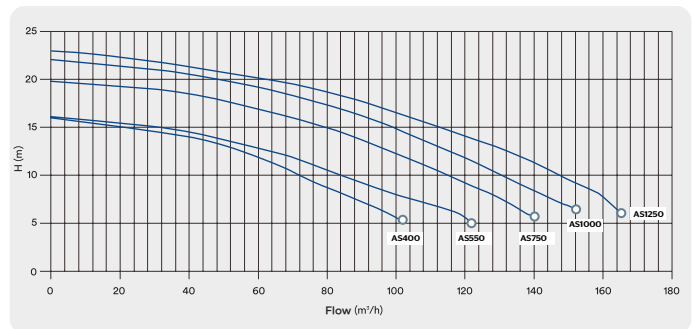
Energy  
Efficiency  
**IE3**



### Atecpool Aeres

- ➔ High flow plastic pump
- ➔ Pre-filter with transparent lid in polycarbonate which allows easy observation of the pre-filter basket
- ➔ The pre-filter is closed with an easily accessible knob system
- ➔ Pump body and pre-filter made in polypropylene reinforced with fiberglass, resistant to the chemical products in the swimming pool, guaranteed to last
- ➔ Bronze impeller
- ➔ Motor shaft manufactured in stainless steel AISI 316L
- ➔ Pre-filter basket in stainless steel
- ➔ Motors with IP-55 protection, at 2,850 rpm,
- ➔ 230/400V-50Hz or 400/690V - 50Hz (7,5, 10 and 12,5 HP) three-phase, Motor insulation: Class F
- ➔ 60 Hz upon request
- ➔ Suction and return unions Ø90 mm (4 HP) or Ø110 mm (5.5HP ~ 12.5HP) included

### Performance Graph



Bronze impeller

### Technical Data 50Hz (IE3)

Model	Power		Manometric Height w.c.m.								
	HP	kW	5	8	10	12	14	16	18	20	22
			Flow m³/h								
AS400	4	2,9	102	86	72	60	40	-	-	-	-
AS550	5,5	4	122	100	84	70	48	4	-	-	-
AS750	7,5	5,5	-	128	116	102	88	72	48	-	-
AS1000	10	7,4	-	143	131	120	106	92	74	48	-
AS1250	12,5	9,2	-	160	148	136	122	106	88	62	28

### Dimensions

Model	Power		Dimensions									Weight kg	Volume m³
	HP	KW	A	B	C	D	E	F	G	H	L		
AS400	4	2,9	375	255	Ø90	405	470	330	200	535	820	46	0,252
AS550	5,5	4	375	255	Ø110	405	470	330	200	535	840	51	0,252
AS750	7,5	5,5	375	255	Ø110	405	470	330	200	535	840	57	0,252
AS1000	10	7,4	375	255	Ø110	405	470	330	200	535	910	68	0,252
AS1250	12,5	9,2	375	255	Ø110	405	470	330	200	535	955	72	0,252

# Atecpool Maxi

## SELF PRIMING / CENTRIFUGAL PUMP

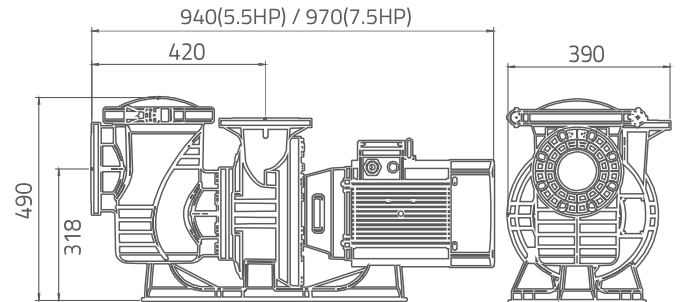
Available in  
**50/60**  
Hz

Energy  
Efficiency  
**IE3**

**2850/1450**  
RPM



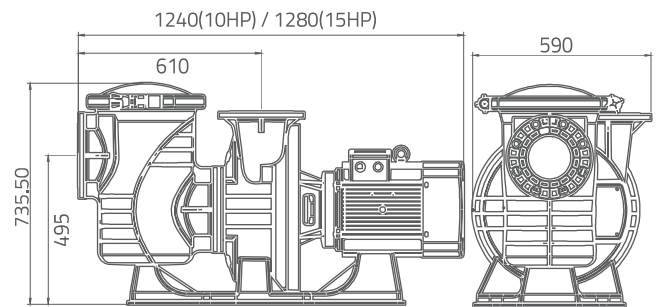
### AMX55/AMX75 - Self-priming pump



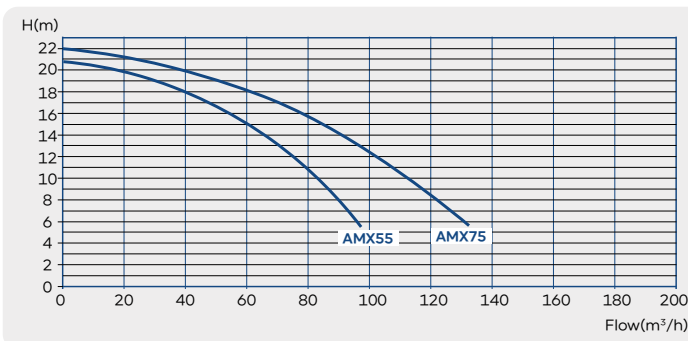
### Atecpool Maxi

- ➔ Proven hydraulic efficiency up to 91%
- ➔ Premium Efficiency IE3 Class Motor (compliance IEC 60034-30)
- ➔ Pump body made in polypropylene reinforced with fiber glass
- ➔ Francis-vane impeller allows for broadband efficiency and large flow range
- ➔ Low noise level up to 68dB
- ➔ Flange Standard DIN (PN10) and ANSI (Class150)
- ➔ Speed 2 pole up to 2850 rpm, 4 pole up to 1450 rpm
- ➔ Shaft sleeve - SS316
- ➔ Motors with IP55 protection
- ➔ Motor insulation: Class F, 400V / 3 ~ / 50 Hz
- ➔ 60Hz available upon request

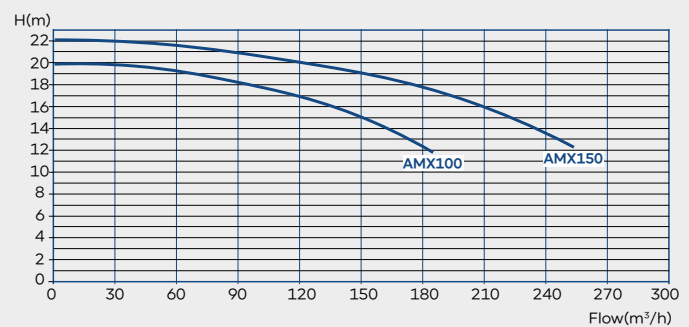
### AMX100/AMX150 - Centrifugal pump



### AMX55/AMX75 - 2850 RPM



### AMX100/AMX150 - 1450RPM



### Technical Data 50Hz (IE3)

Model	Power		Manometric Height w.c.m.							Connection Size	Strainer Vol.	Noise
	HP	kW	5	8	10	12	14	16				
400V/50Hz			Flow m³/h							ANSI/DIN	L	dB
<b>AMX55</b>	5,5	4	2850	75	65	55	40	18	-	4"/DN100	13	72
<b>AMX75</b>	7,5	5,5	2850	105	90	80	60	38	8	4"/DN100	13	72
<b>AMX100</b>	10	7,5	1450	185	160	135	95	28	-	6"/DN150	30	68
<b>AMX150</b>	15	11	1450	250	235	210	170	120	40	6"/DN150	30	68

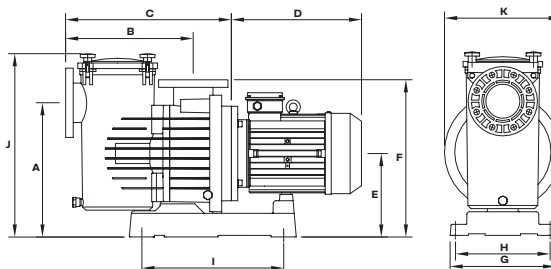
# Atecpool Maxim

## SELF PRIMING PUMP

Available in  
**50/60**  
Hz

Energy  
Efficiency  
**IE3**

**2850/1450**  
RPM

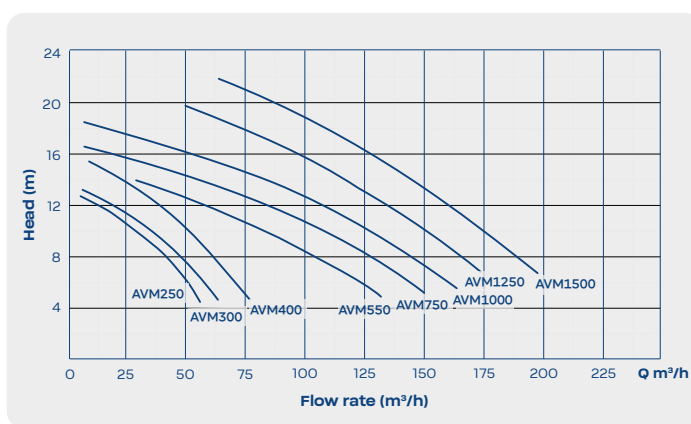


Bronze impeller

### Atecpool Maxim

- Polypropylene + Fiberglass
- Bronze impeller
- Support base in Noryl
- Mechanical seal, screws and shaft in stainless steel AISI-316
- Operation at 1450 rpm up to 10 HP
- Flange connection 110mm (4 inches)
- Large pre-filter basket
- Cathaphoresis painting
- IE3 asynchronous motor at 1450 rpm (1750rpm @ 60Hz)
- IP65 Grade, Motor insulation: Class F
- 60Hz upon request

### Performance Graph



### Technical Data 50Hz (IE3)

Model	Power		Manometric Height w.c.m.									RPM	A	
	HP	kW	6	8	10	12	14	16	18	20	22		III 230	III 400
			Flow m³/h											
<b>AVM250</b>	2,5	1,8	53	43	32	18	-	-	-	-	-	1,450	8,5	4,9
<b>AVM300</b>	3	2,2	62	54	43	26	10	-	-	-	-	1,450	9,4	5,3
<b>AVM400</b>	4	3	74	66	56	42	29	14	-	-	-	1,450	12,5	6,9
<b>AVM550</b>	5,5	4	123	104	84	57	30	-	-	-	-	1,450	15,3	8,8
<b>AVM750</b>	7,5	5,5	143	127	107	85	57	12	-	-	-	1,450	-	12
<b>AVM1000</b>	10	7,5	160	145	126	107	80	48	14	-	-	1,450	-	15,8
<b>AVM1250</b>	12,5	9,2	-	167	152	136	118	99	80	47	-	2,850	-	18,5
<b>AVM1500</b>	15	11	-	188	177	162	146	130	112	92	66	2,850	-	20,9

### Dimensions

Model	Dimensions (mm)													Weight
	A	B	C	D	E	F	G	H	I	J	K	DNA	DNI	
<b>AVM250</b>	423	405	527	310	267	500	335	300	450	596	368	110	110	42
<b>AVM300</b>	423	405	527	310	267	500	335	300	450	596	368	110	110	42,5
<b>AVM400</b>	423	405	527	310	267	500	335	300	450	596	368	110	110	44,5
<b>AVM550</b>	423	405	527	335	267	500	335	300	450	596	368	110	110	53,4
<b>AVM750</b>	423	405	527	385	267	500	335	300	450	596	368	110	110	66
<b>AVM1000</b>	423	405	527	385	267	500	335	300	450	596	368	110	110	76
<b>AVM1250</b>	423	405	527	385	267	500	335	300	450	596	368	110	110	84,5
<b>AVM1500</b>	423	405	527	385	267	500	335	300	450	596	368	110	110	85,5

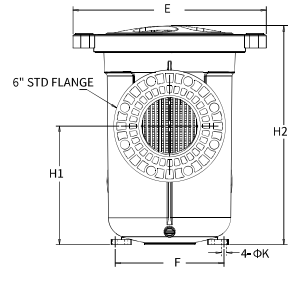
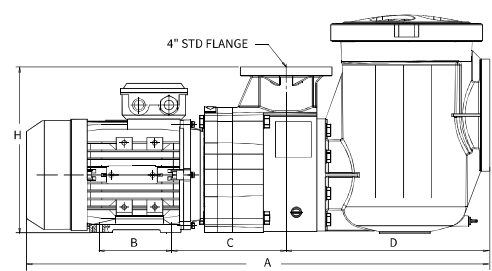
# Atecpool Estha

## CENTRIFUGAL PUMP

Available in  
**50/60**  
Hz

Energy  
Efficiency  
**IE3**

PUMPS



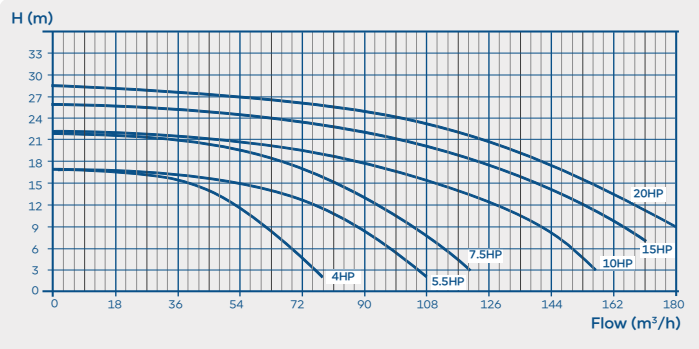
### Atecpool Estha

- ➔ Centrifugal pumps complete with prefilter
- ➔ Pump body, prefilter, diffuser, pump cover, connection cover, filter and Noryl impeller
- ➔ Shaft in stainless steel AISI 316
- ➔ Motor: Asynchronous, two poles
- ➔ IP-55 protection
- ➔ Motor insulation: Class F
- ➔ Speed up to 2850 rpm
- ➔ IE3/IE4 motor , 380V / 3 ~ / 50 Hz
- ➔ Available at 60Hz upon request
- ➔ Mechanical seal in silicon carbide

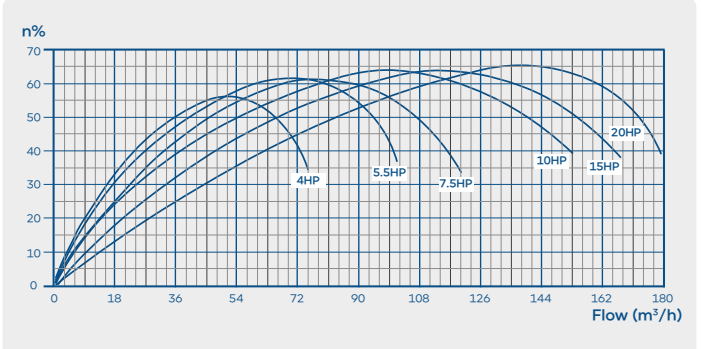
### Dimensions

Code	Dimensions										
	A	B	C	D	E	F	H	H1	H2	K	K
<b>AES40</b>	1070	140	279	508	483	190	415	295	546	12	368
<b>AES55</b>	1070	140	279	508	483	190	415	295	546	12	368
<b>AES75</b>	1145	140	279	508	483	190	415	295	546	12	368
<b>AES100</b>	1145	140	298	508	483	216	415	295	546	12	368
<b>AES150</b>	1330	210	305	508	483	216	415	295	546	12	368
<b>AES200</b>	1330	210	305	508	483	216	415	295	546	12	368

### Performance Graph



### Efficiency Graph



### Technical Data 50Hz (IE3)

Model	Power		A	Manometric Height w.c.m.							Connection Size
	HP	KW		9	12	15	18	21	24	27	
			380V	Flow rate (m³/h)							Inlet/Outlet (inch)
<b>AES40</b>	4	3	6,4	62	52	39	-	-	-	-	6"/4"
<b>AES55</b>	5,5	4	8,3	88	75	54	-	-	-	-	6"/4"
<b>AES75</b>	7,5	5,5	11,1	104	94	82	67	39	-	-	6"/4"
<b>AES100</b>	10	7,5	14,9	141	128	112	89	50	-	-	6"/4"
<b>AES150</b>	15	11	21	164	153	140	125	102	65	-	6"/4"
<b>AES200</b>	20	15	28	179	167	155	141	125	103	57	6"/4"

# Atecpool AFN

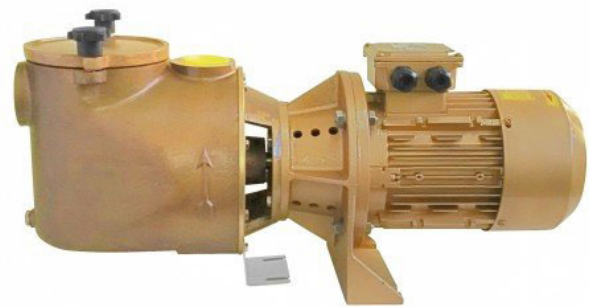
## SELF-PRIMING CENTRIFUGAL PUMP

Available in  
**50/60**  
Hz

Energy Efficiency  
**IE3**

**2900**  
RPM

### Atecpool AFN



Atecpool AFN is a pool pump with excellent resistance due to quality and durable materials. **Upon request it can be manufactured in bronze for use with sea or salt water.**

### Specifications

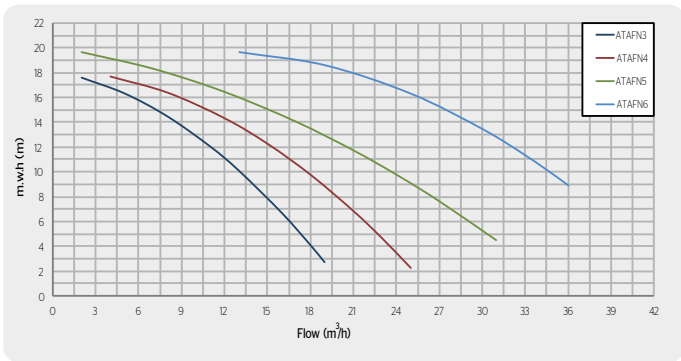
- Superior self-priming capacity up to 6 mwh
- Standard motor shaft which makes it compatible with any worldwide manufacturer's
- Open type impeller
- Available in cast iron or bronze
- High resistance to corrosion - all parts in contact with water are specially treated by long-term cataphoresis
- Highly durable materials
- Suitable for salt and sea water when in bronze version
- Thermal protection incorporated in single-phase version
- Protection: IP 55, Motor insulation: Class F
- Motor: 50Hz / 2900 rpm
- Available at 60Hz upon request

**Materials Cast Iron Version**

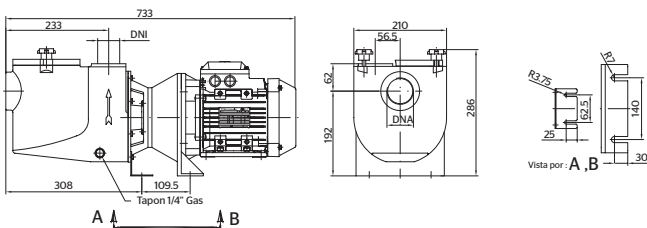
Pump housing and diffuser: cast iron  
Pre-filter basket: polypropylene  
Impeller: brass

Shaft: stainless steel AISI 316  
Mechanical Seal: carbon + resin - ceramics

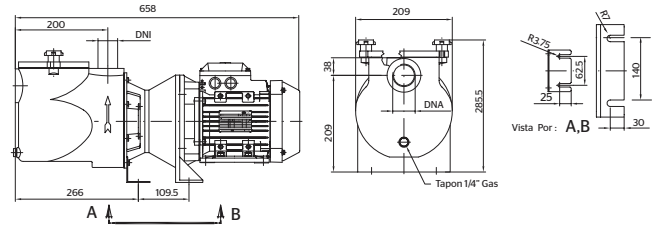
### Performance Graph



ATAFN5-6



ATAFN3-4



### Technical Data 50Hz (IE3)

Model	Power		Capacitor	II			III			Manometric Height wcm								Connections		Weight
	HP	KW		μF	A	A	A	2	4	8	10	12	14	16	18	20	IN	OUT	Kg	
ATAFN3	ATBR-3	1	0,75	100/25	4,9	2,9	1,6	19,0	17,5	15,5	13,1	10,7	8,0	5,0	1,8	-	11/2"	11/2"	26,5	
ATAFN4	ATBR-4	1,5	1,1	100/30	7,0	4,0	2,3	25,0	23,0	20,7	18,0	14,8	11,6	8,0	4,0	-	11/2"	11/2"	30,5	
ATAFN5	ATBR-5	2	1,5	200/40	9,4	5,3	3,1	-	30,5	26,5	24,0	20,5	16,5	12,0	7,0	1,5	2"	2"	35,8	
ATAFN6	ATBR-6	3	2,2	-	-	7,6	4,3	-	-	36,0	35,0	33,0	30,0	25,0	19,0	13,0	21/2"	2"	40,5	

# Atecpool FDN-3000

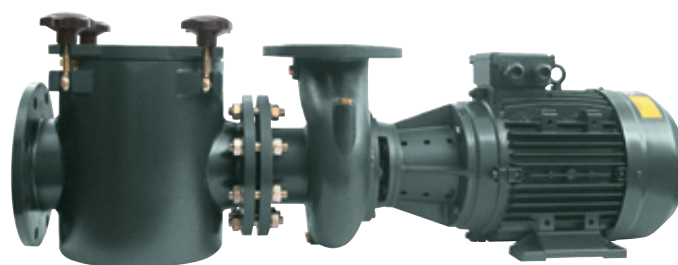
## CENTRIFUGAL PUMP

Available in  
**50/60**  
Hz

Energy  
Efficiency  
**IE3**

**2900**  
RPM

### Atecpool FDN-3000



PUMPS

Atecpool FDN-3000 is a pool pump designed to offer the highest performance for the filtration and purification of water in commercial pools. All parts in contact with water are treated by long lasting cathaphoresis. This treatment prevents the formation of troublesome oxides on cast iron pumps as the paint chemically combines with all iron molecules located on the surface of the workpiece. The cathaphoresis significantly prolongs the life of cast iron and is one of the best anticorrosive and antioxidant treatments existing on the market today. Manufactured fully in bronze on request for use with sea water.

#### Materials Cast Iron Version

Pump housing:  
Cast Iron

Impeller: Bronze /  
Aluminum

Screws: Stainless  
Steel AISI 316

Shaft: Stainless  
Steel AISI 316L

Mechanical Seal:  
Carbon + Resin -  
Ceramics

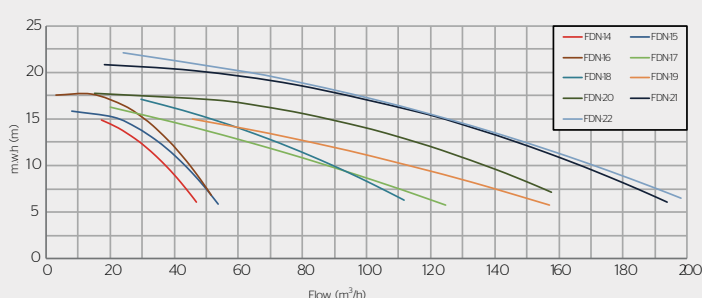
### Specifications

- High efficiency motor class IE3 according to regulation ECn° 640/2009
- Waterproof: IP55
- Flow rate: up to 199 m<sup>3</sup>/h
- Voltage: 230/400V or 400/690V
- Motor: 50Hz / 2900 rpm
- Available also at 60Hz
- Available in bronze for operation with salt chlorinators and sea water
- Motor insulation: Class F

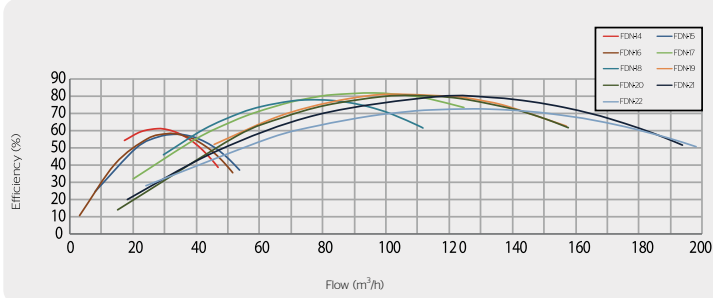
### Technical Data 50Hz (IE3)

Model		Power		III		III		Manometric Height wcm								Connections		Weight	
				230/400V	400/690V	6	8	10	12	14	16	18	20	22	DNA	DNI			
		HP	kW	A	A	A	A	Flow m <sup>3</sup> /h								IN	OUT	Kg	
<b>FDN-14</b>	<b>BR-14</b>	2	1,5	5,3	3,1	-	-	47	42	38	31	23	-	-	-	-	80	3" BSP	53
<b>FDN-15</b>	<b>BR-15</b>	3	2,2	7,6	4,3	-	-	54	48	44	38	28	8	-	-	-	80	3" BSP	55
<b>FDN-16</b>	<b>BR-16</b>	4	3	9,9	5,7	-	-	53	51	46	42	35	26	9	-	-	80	3" BSP	60
<b>FDN-17</b>	<b>BR-17</b>	4	3	9,9	5,7	-	-	125	108	83	70	51	20	-	-	-	100	100	68
<b>FDN-18</b>	<b>BR-18</b>	5,5	4	13,0	7,4	7,4	4,3	112	102	89	76	61	43	-	-	-	100	100	77
<b>FDN-19</b>	<b>BR-19</b>	5,5	4	13,0	7,4	7,4	4,3	157	130	123	89	64	-	-	-	-	125	100	90
<b>FDN-20</b>	<b>BR-20</b>	7,5	5,5	17,6	10,1	10,1	5,9	158	149	145	123	99	67	15	-	-	125	100	99
<b>FDN-21</b>	<b>BR-21</b>	10	7,5	-	-	13,5	7,8	194	180	167	151	134	113	88	51	-	125	100	104
<b>FDN-22</b>	<b>BR-22</b>	12,5	9,2	-	-	16,6	9,6	199	187	171	154	135	114	91	63	27	125	100	113

### Performance graph



### Efficiency graph



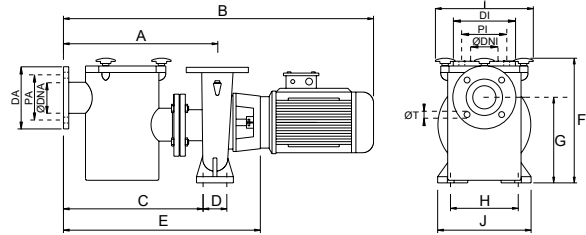
# Atecpool Wave 3000

## CENTRIFUGAL PUMP

Available in  
50/60  
Hz

Energy  
Efficiency  
**IE3**

**2900**  
RPM



### Atecpool Wave 3000

Atecpool Wave 3000 is a large volume centrifugal pump, to which a pre-filter has been attached to the inlet, making it the ideal pump for large filtering units.

### Specifications

- Cast iron version: pump body, pre-filter, coupling in cast iron
- Shaft and pre-filter sieve in AISI 316 stainless steel
- Bronze impeller
- Mechanical seal in silicon carbide or tungsten carbon
- Protection IP-55. 2 poles 50-60 Hz.
- Totally standard motor, allows the motor to be changed or repaired without emptying the installation
- Standard asynchronous motor, sealed from external ventilation.
- Its standard construction allows it to be replaced with another standard motor
- Speed up to 2900 rpm
- Motor insulation: Class F
- 60Hz upon request

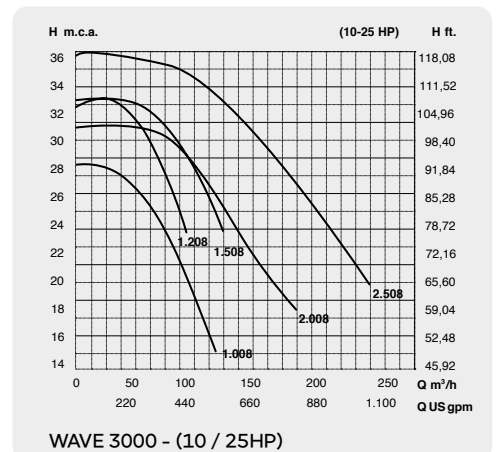
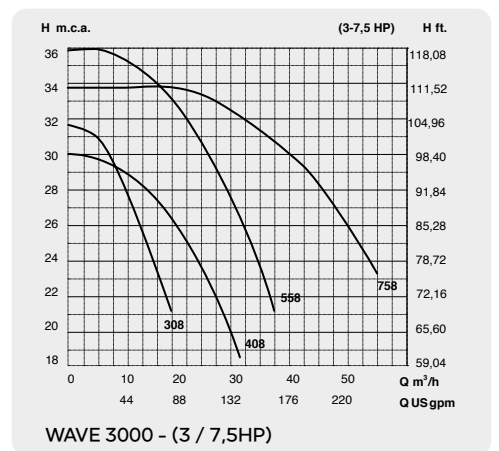
### Technical Data 50Hz (IE3)

Model	Power		A		Manometric Height w.c.m.								
	HP	kW	230V	400V	18	20	22	24	25	27	30	32	35
					Flow m <sup>3</sup> /h								
AHF2308	3	2,2	8,5	5,2	-	-	18	16	14	12	-	-	-
AHF2408	4	3	11,8	7,1	-	29	26	24	22	18	6	-	-
AHF2558	5,5	4	16,2	9,4	-	-	36	34	33	30	25	21	12
AHF2758	7,5	5,5	-	14,2	-	-	-	54	52	48	41	32	-
AHF21008	10	7,5	-	16,5	102	92	83	64	62	42	-	-	-
AHF21208	10	7,5	-	16,5	-	-	-	88	84	74	56	36	-
AHF21508	15	11	-	24,2	-	-	-	117	113	102	78	54	-
AHF22008	20	15	-	32	-	165	140	125	118	114	85	-	-
AHF22508	25	18,5	-	41,5	-	240	225	200	190	175	145	125	72

### Dimensions

Model	Dimensions (mm)										Intake				Output				Weight		
	A	B	C	D	E	F	G	H	I	J	ØDNA	DA	PA	N°T	ØT	ØDNI	DI	PI		N°T	ØT
AHF2308	460	878	425	70	606	415	262	190	265	245	65	185	145	4	18	32	140	100	4	16	94
AHF2408	460	940	425	70	634	415	262	190	265	245	65	185	145	4	18	32	140	100	4	16	105
AHF2558	460	962	425	95	634	415	262	190	265	245	65	185	145	4	18	32	140	100	4	16	110
AHF2758	460	1075	425	95	673	415	262	190	305	300	65	185	145	4	18	40	150	110	4	18	140
AHF21008	480	1130	445	95	693	415	262	190	305	300	65	185	145	4	18	50	150	110	4	18	155
AHF21208	480	1130	445	120	693	415	290	212	306	301	65	185	145	4	18	50	165	125	4	18	176
AHF21508	480	1261	-	-	723	415	290	254	355	350	80	200	160	8	18	65	185	145	8	18	272
AHF22008	505	1286	-	-	748	415	295	254	355	350	100	220	180	8	18	80	200	160	8	18	355
AHF22508	505	1297	-	-	748	415	295	279	355	350	100	220	180	8	18	80	200	160	8	18	385

### Performance graph



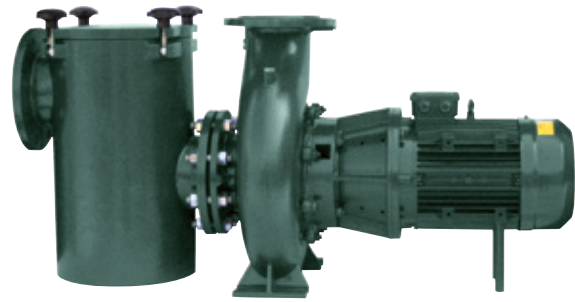
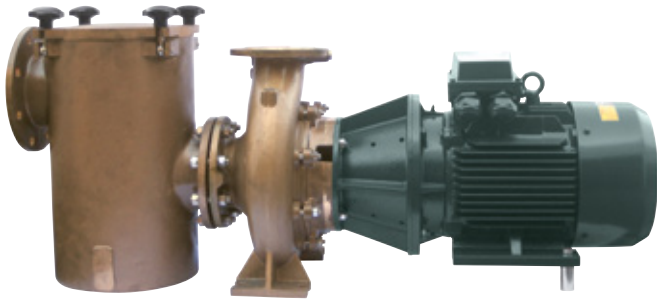
# Atecpool FDN-1500-H

## CENTRIFUGAL PUMP

Available in  
**50/60**  
Hz

Energy Efficiency  
**IE3**

**1450**  
RPM



PUMPS

### Atecpool FDN-1500-H

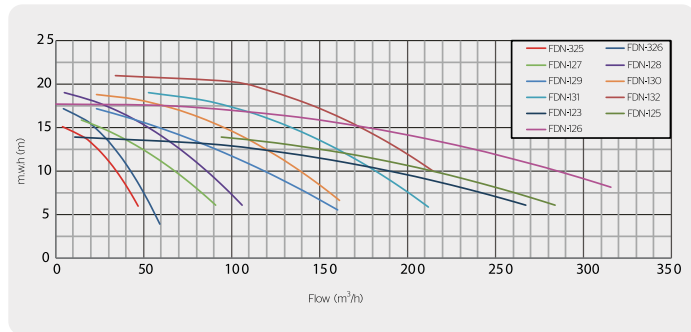
Atecpool FDN-1500-H is a pool pump, specially designed for public pools and competition pools. All parts in contact with water are treated by long lasting cathaphoresis. This treatment prevents the formation of troublesome oxides on cast iron pumps as the paint chemically combines with all iron molecules located on the surface of the workpiece. The cathaphoresis significantly prolongs the life of cast iron and is one of the best anti-corrosive and anti-rust treatments existing on the market. **Manufactured fully in bronze on request for use with seawater.**

**Materials Cast Iron Version**  
 Pump housing: Cast Iron  
 Impeller: Cast Iron or Bronze  
 Prefilter basket: AISI 304  
 Shaft: Stainless Steel AISI 316L  
 Screws: Stainless Steel AISI 316  
 Mechanical Seal: Carbon + Resin - Ceramics

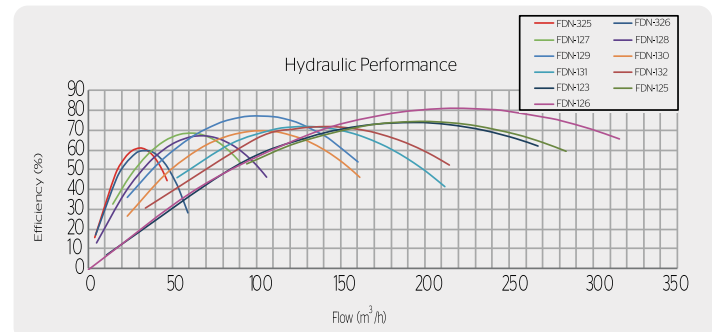
### Specifications

- ➔ High efficiency motor class IE3 according to regulation ECn° 640/2009
- ➔ Waterproof: IP55
- ➔ Flow rate: up to 300 m<sup>3</sup>/h
- ➔ Voltage: 230/400V or 400/690V
- ➔ Motor: 50Hz / 1450 rpm
- ➔ Available also at 60Hz upon request
- ➔ Available in bronze for operation with salt chlorinators and sea water
- ➔ Motor insulation: Class F

### Performance graph



### Efficiency graph



### Technical Data 50Hz (IE3)

Model	Power	III				Manometric Height wcm										Connections		Weight	
		HP	kW	230/400V	400/690V	6	8	10	12	14	16	18	20	21	DNA	DNI	Kg		
		Flow m <sup>3</sup> /h															IN	OUT	Kg
FDN-325	BR-325	2	1,5	5,7	3,3	-	-	47	41	34	26	16	-	-	-	-	100	50	84
FDN-326	BR-326	3	2,2	7,9	4,5	-	-	54	48	42	36	28	17	-	-	-	100	50	89
FDN-127	BR-127	4	3	10,5	6,0	-	-	91	80	68	54	35	15	-	-	-	100	80	103
FDN-128	BR-128	5,5	4	13,8	7,9	7,9	4,6	106	97	86	73	61	45	22	-	-	100	80	111
FDN-129	BR-129	7,5	5,5	18,6	10,7	10,7	6,2	160	139	118	96	76	42	-	-	-	125	100	143
FDN-130	BR-130	10	7,5	-	-	14,3	8,3	162	155	140	126	107	82	46	-	-	125	100	153
FDN-131	BR-131	12,5	9,2	-	-	17,5	10,1	212	197	181	163	145	121	84	-	-	150	100	213
FDN-132	BR-132	15	11	-	-	20,4	11,8	-	-	214	198	184	164	141	100	-	150	100	243
FDN-123	-	10	7,5	-	-	14,3	8,3	268	235	194	131	11	-	-	-	-	150	125	220
FDN-125	-	12,5	9,2	-	-	17,5	10,1	284	254	215	164	94	-	-	-	-	150	125	228
FDN-126	-	15	11	-	-	20,4	11,8	-	316	281	248	211	131	-	-	-	150	125	261

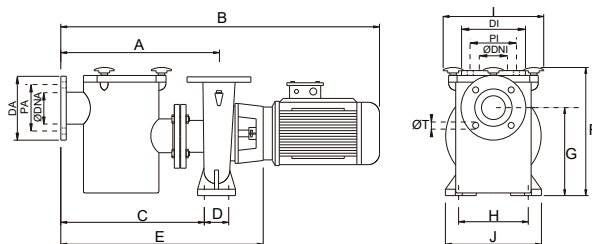
# Atecpool Coral 1500

## CENTRIFUGAL PUMP

Available in  
50/60  
Hz

Energy  
Efficiency  
**IE3**

**1450**  
RPM



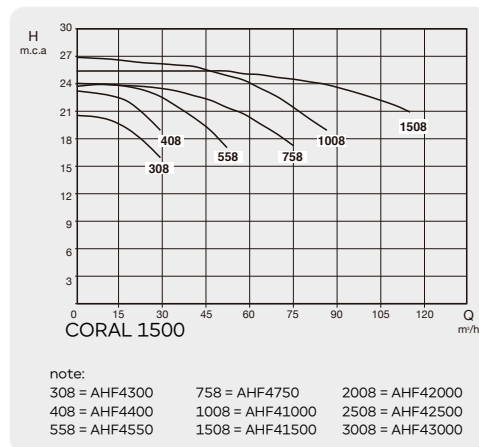
### Atecpool Coral 1500

Atecpool Coral 1500 Cast Iron 1450 rpm. centrifugal pump, to which a pre-filter has been attached to the inlet, making these the ideal pump for large filtering units. The fact that the pump works with a 4 poles motor makes it very quiet and long lasting.

### Specifications

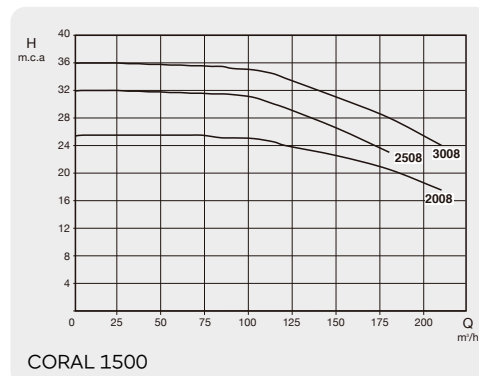
- Pump body, support, pre-filter in cast iron. Shaft-coupling and pre-filter sieve in AISI 316 stainless steel
- Mechanical seal in carbon - silicon carbide
- Bronze impeller
- Motor insulation: Class F
- Standard asynchronous motor, sealed from external ventilation
- Its standard construction allows it to be replaced with another standard motor
- Protection IP-55. 4 poles 50-60 Hz
- Motor: 1450 rpm

### Performance graph



### Technical Data 50Hz (IE3)

Model	Power		A		Manometric Height w.c.m.								
	HP	kw	230V	400V	18	20	22	24	25	27	30	32	35
					Flow m³/h								
AHF4300	3	2,2	9,4	5,5	23	13	-	-	-	-	-	-	-
AHF4400	4	3	12,5	6,9	-	27	19	-	-	-	-	-	-
AHF4550	5,5	4	17	9,2	51	43	33	-	-	-	-	-	-
AHF4750	7,5	5,5	23	12	75	64	50	12	-	-	-	-	-
AHF41000	10	7,5	-	15,5	-	85	75	63	54	-	-	-	-
AHF41500	15	11	-	21,8	-	-	110	90	72	-	-	-	-
AHF42000	20	15	-	32	-	190	160	120	102	-	-	-	-
AHF42500	25	18,5	-	41,5	-	-	-	170	160	140	120	30	-
AHF43000	30	22,5	-	52	-	-	-	210	200	190	160	135	102



### Dimensions

Model	Dimensions (mm)										Intake				Output				Weight		
	A	B	C	D	E	F	G	H	I	J	ØDNA	DA	PA	N°T	ØT	ØDNI	DI	PI	N°T	ØT	Hi
AHF4300	480	994	432	95	654	415	310	250	260	336	65	185	145	4	16	40	150	110	4	16	127
AHF4400	480	994	432	95	654	415	310	250	260	336	65	185	145	4	16	40	150	110	4	16	127
AHF4550	480	994	432	95	654	415	310	250	260	343	65	185	145	4	16	50	165	125	4	16	139
AHF4750	480	1125	420	120	723	450	330	280	260	370	80	200	160	8	16	65	185	145	4	6	195
AHF41000	505	1185	445	120	748	505	355	315	260	429	80	200	160	8	16	65	185	145	4	16	211
AHF41500	505	1283	445	120	778	480	315	315	260	410	100	220	180	8	16	80	200	160	8	6	306
AHF42000	520	1341	460	120	793	505	315	315	260	424	125	250	210	8	16	100	220	180	8	16	324
AHF42500	520	1373	460	120	793	565	315	315	260	478	125	250	210	8	16	100	220	180	8	6	364
AHF43000	520	1406	460	120	793	565	315	315	260	478	125	250	210	8	16	100	220	180	8	16	376

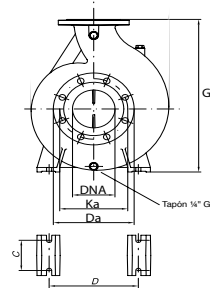
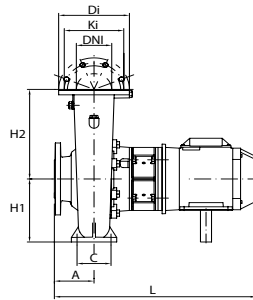
# Atecpool Lagoon Pump

## CENTRIFUGAL PUMP

Available in  
**50/60 Hz**

Energy Efficiency  
**IE3**

**1450 RPM**



### Atecpool Lagoon Pumps

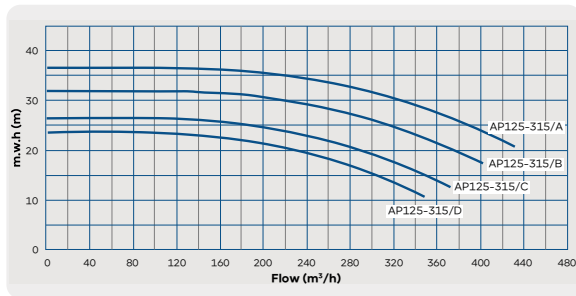
Atecpool Lagoon pumps, specially designed for water slides, Lagoons, large water bodies include end-suction centrifugal pumps, dimensionally designed according to EN733. All parts in contact with water are treated by long lasting cathaphoresis prolongs the life of cast iron.

### Specifications

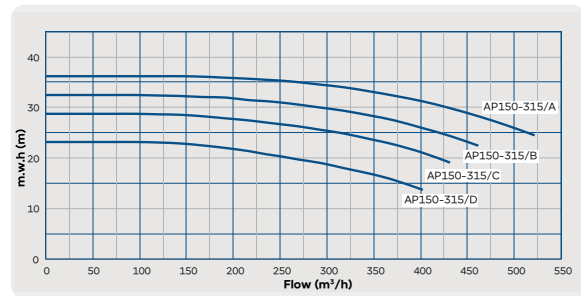
- Protection: IP55
- Flow rate: up to 522 m<sup>3</sup>/h
- Manometer head: 39 m.w.h(m)
- Power rate: from 7,5 HP to 60 HP
- Voltage: 230/400V or 400/690V
- Motor: 50Hz/1450 rpm.
- Available also at 60Hz upon request
- Impeller: Cast iron, Bronze on demand
- Motor insulation: Class F

Model	Dimensions (mm)							Size		Weight kg
	A	L	G	H1	H2	C	D	DNA	DNI	
AP 125-315/D	140	1018	635	280	355	150	400	150	125	278
AP 125-315/C	140	1087	635	280	355	150	400	150	125	286
AP 125-315/B	140	1138	635	280	355	150	400	150	125	338
AP 125-315/A	140	1220	635	280	355	150	400	150	125	388
AP 150-315/D	160	1107	680	280	400	150	450	200	150	306
AP 150-315/C	160	1158	680	280	400	150	450	200	150	358
AP 150-315/B	160	1240	680	280	400	150	450	200	150	408
AP 150-315/A	160	1256	680	280	400	150	450	200	150	445

### A125 Series - Performance Graph



### A150 Series - Performance Graph



### AP125 Series - Technical Data 50Hz (IE3)

Model	Power		Manometric Height w.c.m.																			
	HP	KW	0	24	48	72	96	120	144	168	192	216	234	252	270	294	318	348	372	402	432	
			Flow m <sup>3</sup> /h																			
AP 125-315/D	25	18,5	23,5	23,5	23,5	23,5	23,5	23,3	23,0	22,4	21,7	20,7	19,8	18,7	17,6	15,9	13,7	10,8	-	-	-	
AP 125-315/C	30	22	26,4	26,4	26,4	26,4	26,4	26,3	26,0	25,6	25,0	24,1	23,3	22,3	21,3	19,6	17,8	15,0	12,6	-	-	
AP 125-315/B	40	30	32,0	32,0	32,0	32,0	32,0	32,0	31,8	31,4	31,0	30,2	29,6	28,8	28,0	26,5	25,0	22,4	20,3	17,4	-	
AP 125-315/A	50	37	36,5	36,5	36,5	36,5	36,5	36,5	36,4	36,1	35,7	35,1	34,6	34,0	33,2	32,0	30,5	28,4	26,5	23,7	20,7	

### AP150 Series - Technical Data 50Hz (IE3)

Model	Power		Manometric Height w.c.m.																					
	HP	KW	0	24	48	72	96	120	144	168	192	216	234	252	270	294	318	348	372	402	432	462	492	522
			Flow m <sup>3</sup> /h																					
AP 150-315/D	30	22	23,2	23,2	23,2	23,2	23,2	23,1	22,9	22,5	22,0	21,4	20,8	20,3	19,7	19,0	18,0	16,8	15,6	13,7	-	-	-	-
AP 150-315/C	40	30	28,7	28,7	28,7	28,7	28,7	28,6	28,5	28,2	27,8	27,4	27,0	26,6	26,2	25,5	24,8	23,6	22,6	21,0	19,0	-	-	-
AP 150-315/B	50	37	32,5	32,5	32,5	32,5	32,5	32,4	32,3	32,1	32,0	31,5	31,3	31,0	30,6	30,0	29,4	28,4	27,5	26,0	24,4	22,5	-	-
AP 150-315/A	60	45	36,2	36,2	36,2	36,2	36,2	36,2	36,2	36,1	35,9	35,7	35,5	35,3	35,0	34,5	34,0	33,1	32,3	31,2	29,8	28,2	26,4	24,4

# Atecpool Prefilter

## CAST IRON SERIES

### Atecpool Prefilters Cast Iron

Cast iron and bronze prefilters for suspended solid filtration. Placed at the pump inlet, it prevent impeller blocking. The cover fixing allows an easy access to the prefilter basket for maintenance.

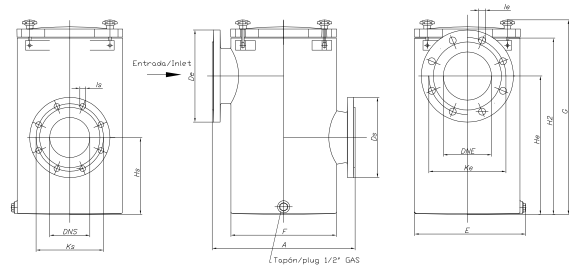
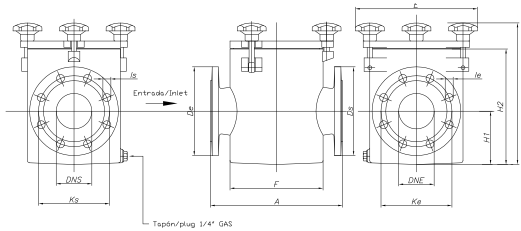
### Specifications

- Prefilter housing and cover: Cast Iron or Bronze
- Basket: Stainless Steel AISI 304/ AISI 316
- Working pressure: 2 bar
- Working temp: 60°C Max
- Stainless steel Prefilters available on request



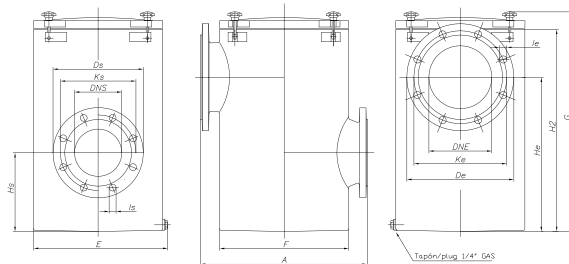
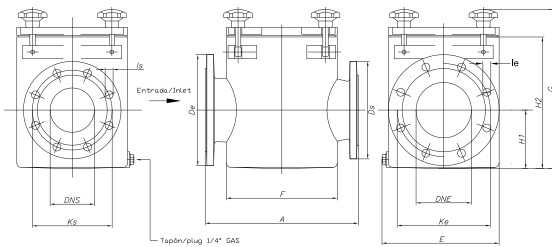
Dimensions for AF65/65 to AF100/100 model

For AF150/125 to AF150/150 model



For AF125/100 to AF125/125 model

For AF200/150 to AF200/200 model



Model	Dimensions (mm)																			
	A	E	F	G	H1	H2	DNE	Ke	De	le	Bolts	DNE	Ks	Ds	Is	Bolts	Thumbnut	Lts.	GG25 kg	Br kg
AF65-65	300	275	210	320	120	260	65	145	185	19	4	65	145	185	19	4	3	11	19,5	22
AF80-2B	300	275	210	320	120	260	80	160	200	19	8	70	125	152	14	4	3	11	20,5	23
AF80-80	300	275	210	320	120	260	80	160	200	19	8	80	160	200	19	8	3	11	20,5	23
AF100-65	300	275	210	320	120	260	100	180	220	19	8	65	145	185	19	8	3	11	20,5	23
AF100-80	300	275	210	320	120	260	100	180	220	19	8	80	160	200	19	8	3	11	21	23
AF100-100	300	275	210	320	120	260	100	180	220	19	8	100	180	220	19	8	3	11	21,5	24
AF125-100	345	265	250	370	132	295	125	210	250	19	8	100	180	220	19	8	4	13	35	39
AF125-125	345	265	250	370	132	295	125	210	250	19	8	125	210	250	19	8	4	13	36	41

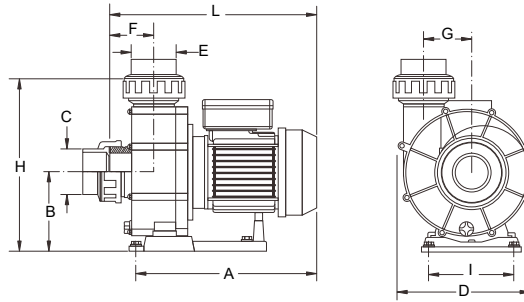
Model	Dimensions (mm)																			
	A	E	F	G	H2	HE	DNE	Ke	De	le	Bolts	HS	DNS	Ks	Ds	Is	Bolts	Lts.	GG25 kg	Br kg
AF150/125	445	347	330	610	550	430	150	240	287	23	8	240	125	210	250	19	8	42	76	86
AF150/150	445	347	330	610	550	430	150	240	287	23	8	240	150	240	287	23	8	42	77	87
AF200/150	528	426	410	698	640	490	200	295	340	23	8	250	150	240	287	23	8	84	96	109
AF200/200	528	426	410	698	640	490	200	295	340	23	8	250	200	295	340	23	8	84	98	111

# Atecpool Counter Current

## SUPER-QUIET PUMP

Available in  
**50/60**  
Hz

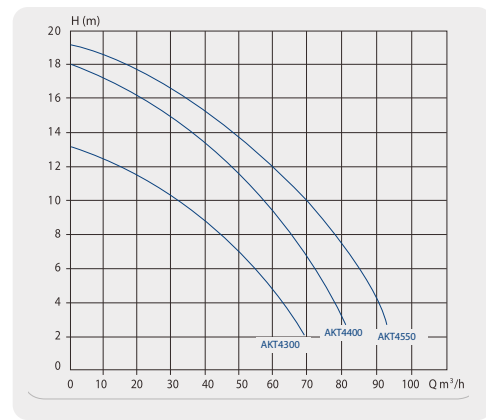
Energy  
Efficiency  
**IE3**



### Atecpool Counter Current

- High-flow centrifugal pump
- Pump body made in polypropylene reinforced with fiberglass, resistant to chemical products in the swimming pool, guaranteed to last a long time
- Impeller in Noryl
- Mechanical seal in graphite and ceramics
- Motor shaft manufactured in stainless steel AISI 316L
- 3HP single-phase motors at 230V/50Hz, or three-phase
- 3HP, 4HP or 5,5HP at 230/400V-50Hz motors, all at 3,000 rpm and IP-55 protection
- Possibility of 60Hz upon request
- Connections of suction and return at 3 1/2" for Ø 75 mm bush connections
- Bush connections included with the pump

### Performance graph



note:  
3 = AKT4300  
4 = AKT4400  
5 = AKT4550

### Technical Data 50Hz (IE3)

Model	Power		rpm	Manometric Height wcm								Connections	
	HP	kW		6	8	10	12	14	16	18	20	DNA	DNI
				Flow m³/h								IN	OUT
<b>AKT4300</b>	3	2,2	3,000	55	44	31	12	-	-	-	-	75	75
<b>AKT4400</b>	4	2,9	3,000	73	66	58	49	36	21	-	-	75	75
<b>AKT4550</b>	5,5	4	3,000	86	79	70	60	49	34	16	-	75	75

### Dimensions

Model	Dimensions										Packing Dimensions
	A	B	C	D	E	F	G	H	I	L	Weight kg
<b>AKT4300</b>	370	156	Ø75	260	Ø75	77	95	319	168	420	20,5
<b>AKT4400</b>	410	156	Ø75	260	Ø75	77	95	319	168	450	23,5
<b>AKT4550</b>	410	156	Ø75	260	Ø75	77	92	319	168	450	25,5

Counter Current Control Panel Leak proof housing IP-67. With pneumatic switch for remote control. Pumps protection by motor circuit breaker.

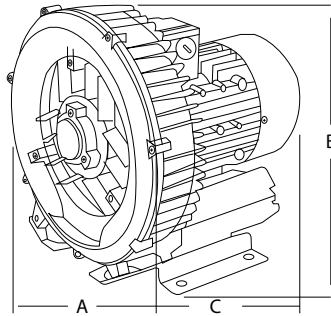
Code	A	HP	Weight	Volume
			kg	m³
<b>AT173C</b>	6,0 - 10,0 A	3,0 / 4,0 / 5,5 HP TRI	1,1	0,004



# Atecpool Air Blower

HEAVY DUTY

Available in  
**50/60**  
Hz



## Dimensions

Code	Dimensions (mm)		
	A	B	C
AH140-850	261	266	225
AH210-131	287	302	280
AH210-161	335	335	320
AH215-181	350	365	375
AH315-301	375	383	405
AH420-321	375	383	405
AH505-380	442	462	420

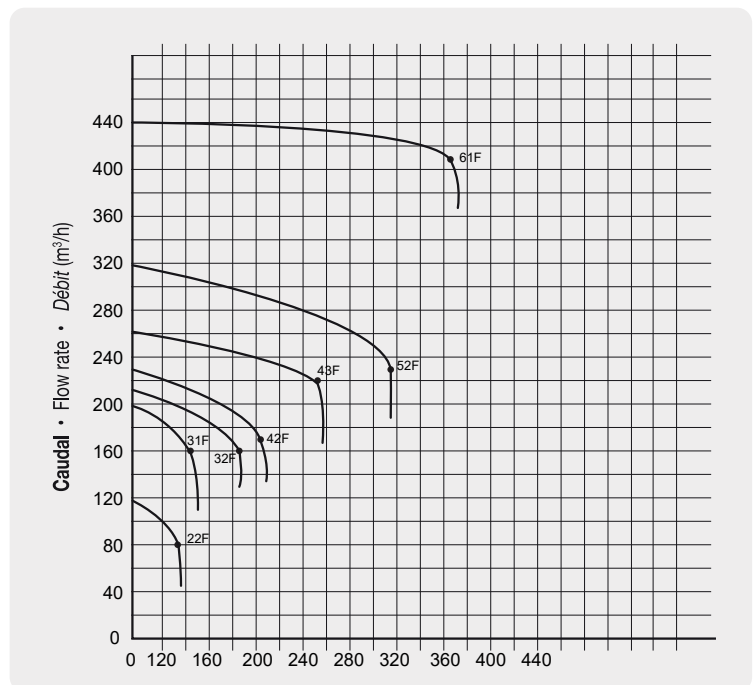
## Atecpool Air Blower

Pumps designed for bubble baths and swimming pools, water treatment, car drying, ventilation / dust removal, etc.

## Specifications

- Constructive characteristics: Blower pump constructed entirely in cast aluminum and suitable for continuous operation
- Single stage side channel pumps, without any maintenance
- Sealed asynchronous motor with external ventilation
- Built in thermal protection. Single phase versions includes capacitor
- IP-55 protection
- Isolation class F
- 60Hz upon request

## Performance graph



## Technical Data 50Hz

Phase	Code	Curve	Output	Voltage	Max Flow	Max Pressure	Noise	Weight	Connection
			kW	V	m³/h	mbar	dB	kg	inch
Three Phase	AH140-850	22F	0,5	$\Delta$ 200-240 / Y 345 - 415	80	130	53	11	1 1/4"
	AH210-131	31F	0,75		145	160	63	16	1 1/2"
	AH210-161	32F	1,1		185	160	63	17	1 1/2"
	AH215-181	42F	1,3		210	170	64	22	2"
	AH315-301	43F	1,5		255	220	64	24	2"
	AH420-321	52F	2,2		318	230	69	28	2"
	AH505-380	61F	3		376	410	69	29	2"
Single Phase	AH80-400	22MF	0,5	230	80	130	53	11	1 1/4"
	AH140-131	31MF	0,75		145	160	63	16	1 1/2"
	AH210-151	32MF	1,1		185	160	63	17	1 1/2"
	AH215-171	42MF	1,3		210	170	64	22	2"
	AH315-221	43MF	1,5		255	220	64	24	2"

# Atecpool Hydro Massage Pump

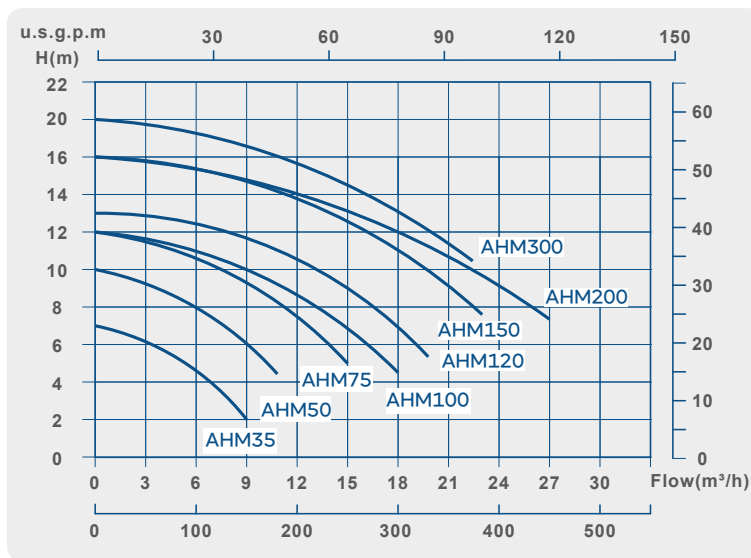
## WHIRLPOOL PUMP



### Atecpool HydroMassage Pump

- ➔ Motor insulation: Class B
- ➔ IPX5 waterproof standard
- ➔ Built-in thermal protection
- ➔ Pump body made in polypropylene reinforced with fiber glass
- ➔ 316 stainless steel mechanical seal
- ➔ High-temperature designs suitable for up to 50°C
- ➔ Power supply : 220-240V, 50 Hz

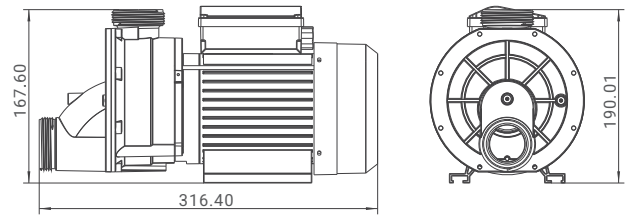
### Performance graph



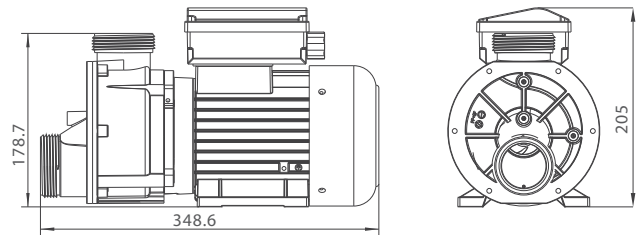
### Technical Data 50Hz

Code	Power		Max. Flow	H max	Current	Connection Size	Weight
	kW	HP					
AHM35	0,25	0,35	150	7,5	1,6	50 or 1½"	5,1
AHM50	0,37	0,5	180	10	2,0		5,9
AHM75	0,55	0,75	250	12	3,2		7,9
AHM100	0,75	1,0	300	12	3,8		8,6
AHM120	0,9	1,2	335	13	4,6		9,1
AHM150	1,1	1,5	380	16	5,8		11,5
AHM200	1,5	2,0	450	16	7,0		13
AHM300	2,2	3,0	730	18	10		63 or 2"

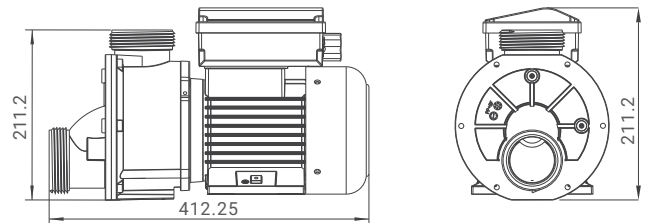
### AHM35-50 - Technical Drawing



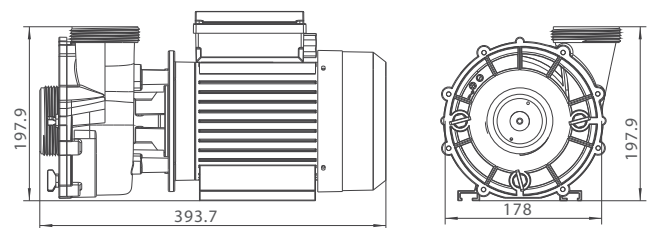
### AHM75-150 - Technical Drawing



### AHM200 - Technical Drawing



### AHM300 - Technical Drawing



# Atecpool Submersible Pumps

## VESPA SERIES

### Atecpool Vespa Series Submersible Pump

Plastic Body Pump suitable for draining clean water without abrasive particles.

#### Specifications

- 2,850 rpm
- Built-in thermal protector for single phase motor
- Motor insulation: Class B/F, Protection type IP X8
- Pump body and pre-filter made in polypropylene reinforced with fiberglass
- External Float Switch for automatic pump operation
- Mechanical seal sets ceramic, graphite and rubber
- Oil seal sets
- Max liquid temperature 40°C



Code	Power		Voltage / Hz	Max Submersion Depth	Max Flow	Max Grain Size	Max Temp of Liquid
	HP	kW					
<b>AVP750</b>	1	0,75	230 V / 50Hz	4	13,000	35	40

### Atecpool Vespa Series SS Submersible Pump

Stainless Steel Body Pump suitable for draining clean water without abrasive particles.

#### Specifications

- 2,850 rpm
- Built-in thermal protector for single phase motor
- Motor insulation: Class B/F, Protection type IP X8
- Pump body made in stainless steel
- External float switch for automatic pump operation
- Mechanical seal sets ceramic, graphite and rubber
- Oil seal sets
- Max liquid temperature 40°C



Code	Power		Voltage / Hz	Max Submersion Depth	Max Flow	Max Grain Size	Max Temp of Liquid
	HP	kW					
<b>AVS750</b>	1	0,75	230 V / 50Hz	4	13,000	35	40

# Atecpool Pool Controls

## SMARTSAVER FREQUENCY INVERTER



TÜV Rheinland CERTIFIED

### Convert any pump to a variable speed

#### SmartSaver for smart savings

Frequency inverter is a device that converts alternating current of one frequency to another frequency, the result of this conversion leads to a motor speed change in pool pump application. You can choose between 35 different speeds between 1200 ~ 2900 rpm with an increment of 50 rpm to meet different applications that do not need the full speed and power from the pump, like heating, filtration, etc.

#### SmartSaver added benefits

Timer program 4: timers for 24-hour operation, each with an individual speed for different pool features, filtration or heating, utilize off-peak electricity tariffs to reduce costs



Save more than **80%** in energy Cost

PUMPS

### Technical Data

Model	Operating Condition	Input Power	Input Voltage	Frequency	Output Voltage	Output Power	Output Current	Enclosure Rating	Pump Type	Speed Range
	C°	AC	V	Hz	V	W	A			RPM
SS100	-10 ~ 40°C	1ph AC	220V~240V	50 Hz	1ph, 0~240V	Max 1,1kW	Max 6A	IP65	1 phase	1200~2900
SS200	-10 ~ 40°C	1ph AC	220V~240V	50 Hz	1ph, 0~240V	Max 2,2kW	Max 12A	IP65	1 phase	1200~2900
SS103	-10 ~ 40°C	1ph AC	220V~240V	50 Hz	3ph, 0~240V	Max 1,1kW	Max 4,5A	IP65	3 phase	1200~2900
SS203	-10 ~ 40°C	1ph AC	220V~240V	50 Hz	3ph, 0~240V	Max 2,2kW	Max 8A	IP65	3 phase	1200~2900

### Touch screen panel

**1500 RPM** Motor Speed

**1500 W** Power Consumption

**88:88** Current time

⌚ Sequence of timer (1/2/3/4)  
⌚ Timer start / timer off

- 🌙 Night Operation (low speed)
- ☀️ Day operation (medium speed)
- 🌀 Backwash (high speed)
- 🔒 Lock Mode (night / day / backwash)
- ⬆️ Up / Down (adjust time or speed)
- 🕒 Timer (4 timers for 24-hours operation)

### Noise Level Comparison



- 1 80% Energy Savings
- 2 80% sound level reduction
- 3 Improved filtration
- 4 4 Timers for 24-hours operation
- 5 Longer Lifespan

# Atecpool A-Connect

ALL-IN-ONE CONTROLLER

## A-Connect

Where Advanced IoT Meets Smart Automation  
Your Ultimate IoT Master Controller for Water Management

A-Connect seamlessly unifies water operation controls – from pumps and valves to dosing and filtration – into a single smart controller with mobile app integration

### One Solution: One Unified Water Automation Platform

- ➔ Advanced IoT-powered controller for water management
- ➔ Real-time monitoring & automation through A-Connect mobile app
- ➔ AI-powered predictive analytics for maintenance and energy efficiency



## A-Connect Mobile App

Control and Monitor  
from Anywhere



- ➔ Remote control of pumps, dosing, and valves
- ➔ Instant parameter updates & alerts
- ➔ Predictive maintenance notifications
- ➔ Energy optimisation analytics
- ➔ Multi-user access & data logging



### A-Connect functions and Benefits

Function	Description	Benefits
Smart Automation	Control pumps, valves, dosing and lighting	Simplifies complex workflows
Real-Time Insights	Mobile and cloud-based data visualisation	Informed decision making
Predictive Alerts	Maintenance and chemical optimisation	Prevents downtime
Energy Optimisation	Intelligent scheduling and power management	Cuts operation costs

### Key Features



### Industries We Serve



RO Plants

Water Treatment  
Plants

Agriculture Irrigation  
Systems

Swimming Pools

### The A-Connect Advantage

- ➔ A-Connect Digital Twin Platform Integration
- ➔ Advanced Automation with 3 Dosing Pumps
- ➔ Real-time remote monitoring & control
- ➔ Customizable interface for user-specific workflows
- ➔ AI-driven automation of complex tasks
- ➔ Precision dosing for chemical balance
- ➔ Automated safety adjustments

A-CONNECT

INSPIRED  
ByWater

**ATECPPOOL**

 **BWT** GROUP

 [atecpool.com](https://atecpool.com)



INSPIRED  
ByWater

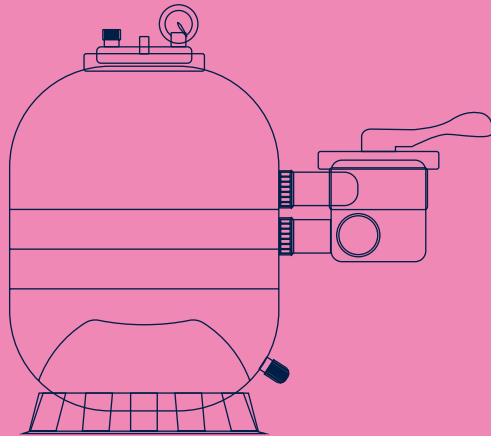
[atecpool.com](http://atecpool.com)



atecpool.com



# 0 Filtration



INSPIRED  
ByWater

**ATECPOOL**

BWT GROUP



# Atecpool Pool Filtration

**ATECPPOOL** Filters are developed for an efficient and high performance mechanical filtration to ensure crystal clear and sparkling water quality.

**ATECPPOOL Regstar Stainless Steel Regenerative media filter** is a unique filtration technique saving up to 96% water, 30% chemicals, 30% energy and 80% space compared to traditional sand and glass filters.

Regenerative precoat filter enhances water quality, ensuring year-round clarity and improves water safety by eliminating chlorine resistant pathogens recommended by global aquatic standards such as WHO, CDC, and NSW.

Regstar significantly reduces operating cost and is the latest filtration method in the aquatic industry.



Regenerative Filter

The next generation of filtering systems



# Atecpool Regenerative Filters



INSPIRED  
ByWater

**ATECPOOL**  
BWT GROUP

# Atecpool RegStar

## REGENERATIVE MEDIA FILTER

12  $m^3/h$  TO 739  $m^3/h$



### Atecpool Regstar

Discover **ACPM** (Atecpool CrystalClear Perlite Media) Regenerative filter made of stainless steel with advanced filtration system using thin perlite layers for microscopic cleaning. It is known for superior water purification, ACPM Regstar outperforms sand filters, especially in places like olympic pools and waterparks.

ACPM Regstar Filter offers benefits such as minimal water usage, low power needs, a sleek design, and ultra fine filtration for removing microorganisms.

Tailored to various aquatic facilities such as water park, hotel and resort, aquarium, condominium, swim school, hydrotherapy, aquatic center, splash pads, etc..



ecofriendly



1 micronfiltration



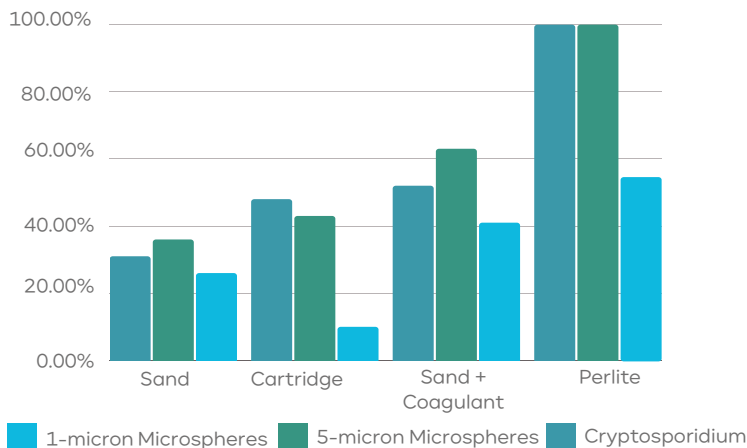
Saving up to 96% water

### Specifications

- Construction in stainless steel AISI 304 with internal and external epoxy coating, built to last over 50 years with its robust internal tube elements in stainless steel 316.
- Upgraded filter body construction with stainless steel AISI 316 or AISI 316L is available for sea water pools or tough aquatic environment.
- Design pressure 6~12 bar. Working pressure 2~10 bar.
- Filter tank designed in accordance with ASME standards.
- Down to 1 micron Filtration.
- Saves up to 30% chemicals, 80% space, 96% water, 30% energy and effortless automated operation.
- Bumping mechanism, pneumatic hammering for agitating filter elements.
- Fitted with upper manways and large side manways for preventive maintenance.
- Control and Automation - PLC controller with interactive guidance system. Offers remote monitoring.
- Large internal sight glass - 150mm sight glass allows for easy monitoring.
- Minimal head loss at less than 1.4m.

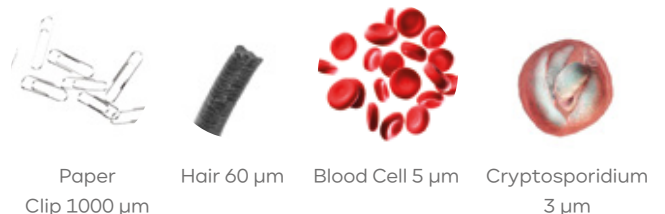


### Percentage particle removal for each filter media



Source: Removal of Cryptosporidium and polystyrene microspheres from swimming pool water with sand, cartridge, and precoat filters.

### How small is 1 micron?



### World Health Organization 2006

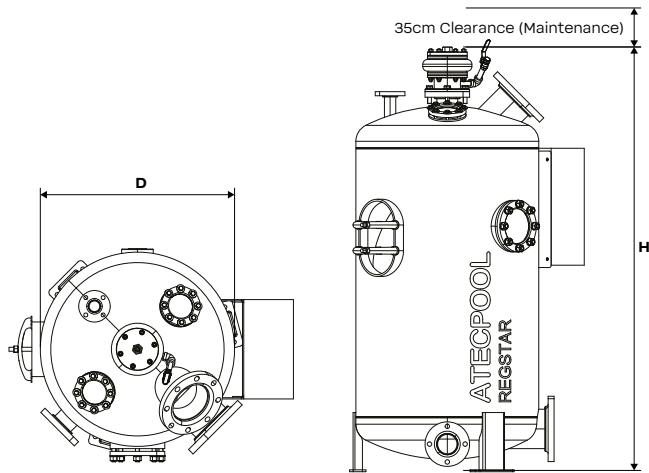
With chlorine-tolerant human pathogens like cryptosporidium becoming increasingly common in aquatic venues, effective filtration is a crucial process in controlling waterborne disease transmission and protecting public health.

# Atecpool RegStar

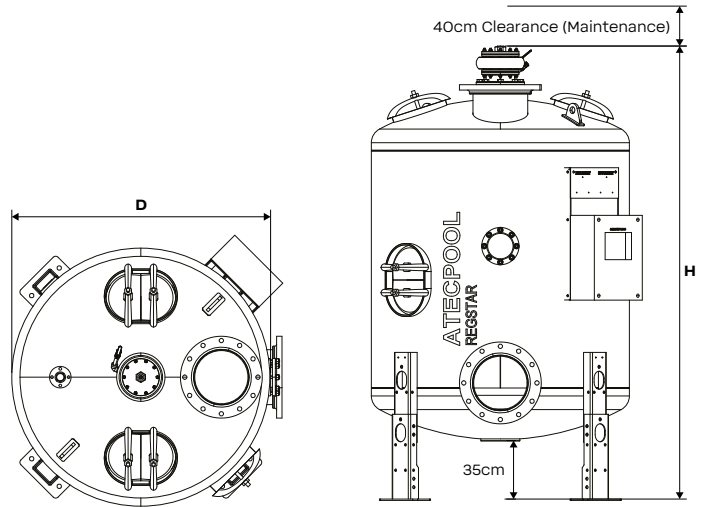
## REGENERATIVE MEDIA FILTER

12  $\text{m}^3/\text{h}$  TO 739  $\text{m}^3/\text{h}$

### Regstar - Compact Series



### Regstar - Standard Series



### Atecpool Regstar Filter Technical Data

Code	Filter Area	Min. Flow @ 1.22 $\text{m}^3/\text{h}/\text{m}^2$	Rec. Max. Flow @ 3.67 $\text{m}^3/\text{h}/\text{m}^2$	Max. Flow (Residential) @ 4.89 $\text{m}^3/\text{h}/\text{m}^2$	Perlite Weight	In/Outlet	Drain	Height H	Tank Dia D	Tank Volume	Deliver Weight	Operating Weight
	$\text{m}^2$	$\text{m}^3/\text{h}$	$\text{m}^3/\text{h}$	$\text{m}^3/\text{h}$	kg	in	in	mm	mm	$\text{m}^3$	kg	kg
ACPM60-08-304/316	9,7	12	35	47	3,8	3	3	1820	590	0,38	270	643
ACPM60-11-304/316	12,2	15	44	59	4,8	3	3	1820	590	0,38	276	649
ACPM60-14-304/316	15,4	19	56	75	6,0	3	3	1820	590	0,38	282	655
ACPM60-17-304/316	16,8	21	61	82	6,6	4	3	1820	590	0,38	288	661
ACPM80-19-304/316	19,3	24	71	94	7,5	4	3	1820	780	0,64	324	1030
ACPM80-22-304/316	21,9	27	80	106	8,5	4	3	1820	780	0,64	330	1036
ACPM80-28-304/316	28,3	35	103	138	11,0	6	3	1820	780	0,64	336	1042
ACPM80-33-304/316	32,6	40	120	159	12,7	6	3	1820	780	0,64	342	1048
ACPM90-42-304/316	42,3	52	155	206	16,5	6	3	1820	890	0,84	424	1347
ACPM112-56-304/316	55,7	68	204	272	21,7	8	4	2510	1150	1,65	980	2654
ACPM112-72-304/316	72,0	88	264	352	28,1	8	4	2510	1150	1,65	1010	2684
ACPM130-83-304/316	83,5	102	306	408	32,6	8	4	2580	1300	2,23	1438	3894
ACPM130-97-304/316	97,5	119	357	476	38,0	10	4	2580	1300	2,23	1462	3924
ACPM145-111-304/316	111,4	136	408	544	43,5	10	4	2590	1450	2,62	1529	4409
ACPM145-126-304/316	126,1	154	462	616	49,2	10	4	2590	1450	2,62	1559	4439
ACPM153-139-304/316	139,4	170	511	681	54,4	10	4	2600	1530	3,06	1825	5195
ACPM153-151-304/316	151,2	185	554	739	59,0	12	4	2600	1530	3,06	1850	5220

Code: ACPMXXX-XXX-304 Regstar Stainless Steel AISI 304 Filter  
 ACPMXXX-XXX-316 Regstar Stainless Steel AISI 316 Filter

# Atecpool Control Panel

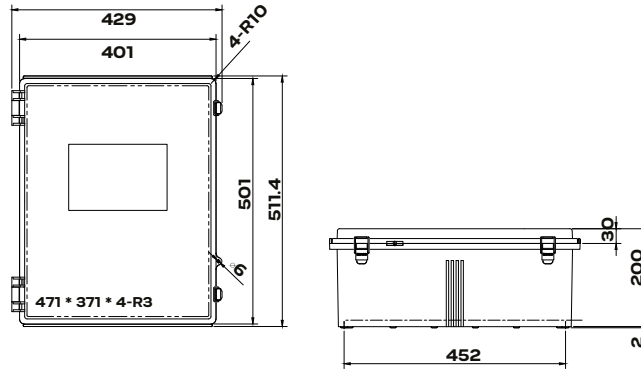
## FOR REGSTAR REGENERATIVE FILTER

12 TO 739  
m<sup>3</sup>/h TO m<sup>3</sup>/h

### Atecpool Regstar Control Panel



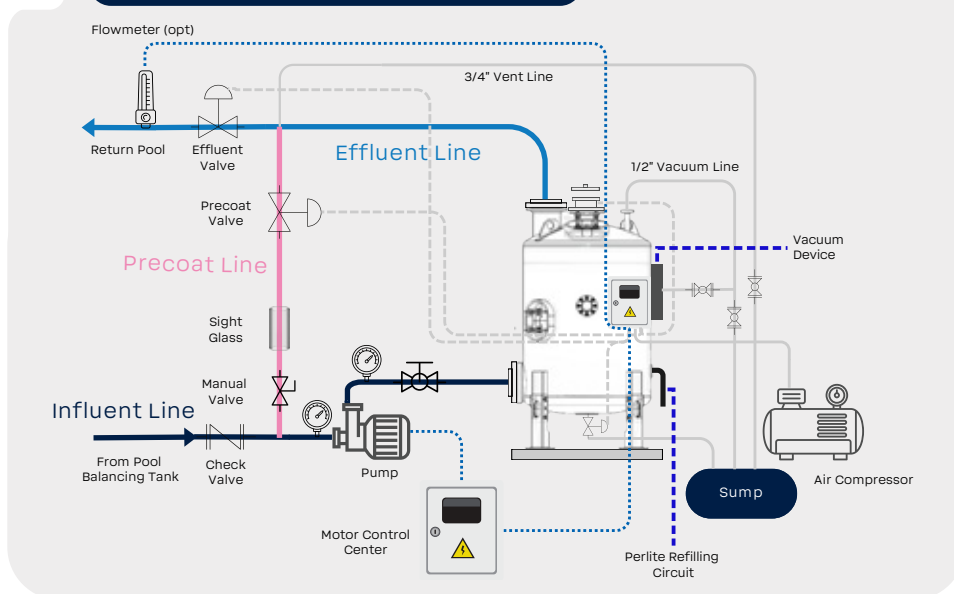
Regstar Control Panel - Dimensions



### Regstar Filter Control Panel Features

- 7" 16-bit TFT touch screen
- 800 × 480 resolution for crisp visuals
- Powered by Cortex-A8 800 MHz CPU
- 256MB RAM / 256MB ROM memory
- IP65-rated front panel in durable ABS enclosure
- Built-in Ethernet port (1x)
- Supports Modbus/TCP, FTP, VNC, email, and web monitoring
- 220-240V (50/60H) enclosure power supply
- 24VDC output for SMC solenoid valves
- Manual control of all actuators (including pumps)
- Configurable Precoat Pump function
- Adjustable speed control for filter and precoat pumps
- Digital pressure display with real-time differential pressure monitoring
- Automatic error detection and alerts
- Interactive on-screen maintenance guidance
- Data logging for system performance tracking
- Remote monitoring and operation via VNC or web browser
- Email client for event notifications and alerts
- View/control access via LAN or internet (browser-based interface)

### Atecpool Regstar System Schematic



### Regstar System Components:

- Regenerative Precoat Filter\*
- Filter Control Panel and Solenoid Valves\*
- Vacuum Transfer System\*
- Air-Compressor\*
- Quick Exhaust Valve\*
- Filter Pump
- Strainer
- Pump VFD/ Soft Starter
- Filter Bottom Tee
- Concentric Reducer
- Reducing Tee (Precoat Line)
- Dual Pressure Gauge\*
- Perlite Media
- Sightglass(Precoat Line)\*
- Air Pressure Sensors\*
- Effluent and Precoat Valve\* (Pneumatic Double Acting)

Note: \*marked items are included with the supply of regstar filters.

# Atecpool Pneumatic Valves and Accessories

## FOR REGSTAR REGENERATIVE FILTER

### Atecpool Cast Iron Twin Door Wafer Check Valve



Model	Description	Size
		inch
WTCV-040-CI	Cast Iron Twin Door Wafer Check Valve 4"	4"
WTCV-060-CI	Cast Iron Twin Door Wafer Check Valve 6"	6"
WTCV-080-CI	Cast Iron Twin Door Wafer Check Valve 8"	8"
WTCV-100-CI	Cast Iron Twin Door Wafer Check Valve 10"	10"
WTCV-120-CI	Cast Iron Twin Door Wafer Check Valve 12"	12"
WTCV-140-CI	Cast Iron Twin Door Wafer Check Valve 14"	14"

### Atecpool Pneumatic Valve (PTFE Seat)



Model	Description	Size
		(inch)
PBFV-030-T-DA	Pneumatic Valve (PTFE Seat) 3"	3"
PBFV-040-T-DA	Pneumatic Valve (PTFE Seat) 4"	4"
PBFV-060-T-DA	Pneumatic Valve (PTFE Seat) 6"	6"
PBFV-080-T-DA	Pneumatic Valve (PTFE Seat) 8"	8"
PBFV-100-T-DA	Pneumatic Valve (PTFE Seat) 10"	10"
PBFV-120-T-DA	Pneumatic Valve (PTFE Seat) 12"	12"

### Atecpool Pneumatic Valve (EPDM Seat)



Model	Description	Size
		(inch)
PBFV-030-E-DA	Pneumatic Valve (EPDM Seat) 3"	3"
PBFV-040-E-DA	Pneumatic Valve (EPDM Seat) 4"	4"
PBFV-060-E-DA	Pneumatic Valve (EPDM Seat) 6"	6"
PBFV-080-E-DA	Pneumatic Valve (EPDM Seat) 8"	8"
PBFV-100-E-DA	Pneumatic Valve (EPDM Seat) 10"	10"
PBFV-120-E-DA	Pneumatic Valve (EPDM Seat) 12"	12"

### Atecpool Air Blower



Model	Description	Total units
		(per box)
AH210-131	Air Blower 0,75 kW/145m³/hr 230V 160mbar	1

### Air compressor



Model	Description	Total units
		(per box)
BAC100	Air compressor 8 bar / 15 ltrs	1

### Vacuum Machine



Model	Description	Total units
		(per box)
BAY30	Vacuum Machine with longer tubes 1,2 kW	1

# Atecpool Reg-X Filter

REGENERATIVE MEDIA FILTER

36  $\text{m}^3/\text{h}$  TO 514  $\text{m}^3/\text{h}$



## Atecpool Reg-X Filter

The Reg-X Regenerative Media Filter utilizes patented technology to deliver exceptional filtration performance, effectively removing particles as small as 1 micron—significantly finer than the 30–40 micron range typical of conventional sand or glass filters. This innovative filtration method offers substantial advantages, including reduced water, chemical, and energy usage, as well as a more compact system footprint compared to traditional filtration systems.

The Reg-X filters achieve up to 96% water savings during backwash. Additionally, the automated self-cleaning mechanism eliminates the need for manual cleaning and maintenance.



ecofriendly



Saving 96% water



Automatic Self-Cleaning



1 micronfiltration

## Specifications

- Working pressure: 2,5 Bar
- Testing pressure: 4,0 Bar
- Built in Fiberglass Reinforced Polyester (FRP).
- No bumping or hammering
- Hoses made with AISI316 stainless steel core covered with high tenacity polymer fiber, EPDM gaskets
- Patented automatic self-cleaning and rinse system
- Patented automatic active perlite regeneration system without vibrations or impacts
- Automatic perlite coating system
- Control panel with SIEMENS S7 PLC, display and control screen (HMI SIEMENS 7"), instrumentation and sensors
- Supply of high performance blower pump for regeneration system, and a vacuum machine for perlite loading
- Polyethylene strainer for self-cleaning system

## Technical Detail

Code	Diameter	Height	Filtration Area	Filtration Velocity	Flow Rate	Perlite Weight	In/Out	Drain/Recirculation/Rinse	Weight	Operating Weight	Water Volume	Footprint
	mm	mm	$\text{m}^2$	$\text{m}^3/\text{h}/\text{m}^2$	$\text{m}^3/\text{h}$	kg	mm		kg	kg	ltrs	$\text{m}^2$
RF-PRFV-620	620	1850	14,2	2,5	36	4	D125	2"	110	570	450	0,3
				4,5	64							
RF-PRFV-750	750	1900	21,8	2,5	54	6	D140	D75	160	850	675	0,44
				4,5	98							
RF-PRFV-900	900	1950	31,6	2,5	79	9	D160	D90	210	1230	1000	0,64
				4,5	142							
RF-PRFV-1050	1050	2050	50,1	2,5	125	15	D200	D110	275	1675	1375	0,87
				4,5	225							
RF-PRFV-1200	1200	2100	64,8	2,5	162	18	D250	D125	320	2205	1850	1,13
				4,5	292							
RF-PRFV-1400	1400	2200	90,7	2,5	227	27	D315	D160	450	3120	2625	1,54
				4,5	408							
RF-PRFV-1600	1600	2200	114,3	2,5	286	32	D315	D160	600	4085	3425	2,01
				4,5	514							

Next generation of filtration

The healthy core of a swimming pool



# Atecpool Filtration

 ecofriendly



INSPIRED  
ByWater

**ATECPOOL**  
BWT GROUP

# Atecpool Bobinados Plus

## BOBBIN WOUND FILTERS

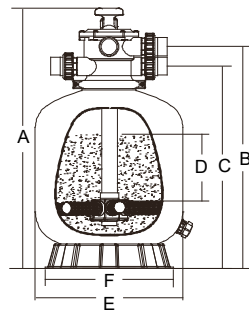


Recommended to be used with  
Activated Filtration Media

### Atecpool Bobinados Plus Top Mounted Filter

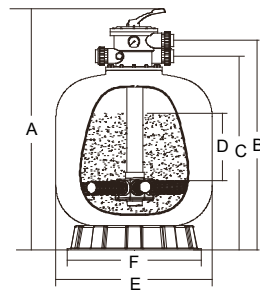
- Bobbin-wound fiberglass reinforced tank with UV-resistant surface finish
- Supplied with pressure gauge, manual air vent, water purge and multiport valve
- ABS Laterals
- Testing Pressure: 4 kg/cm<sup>2</sup>
- Max temperature of 50°C
- Filters with 4Kg/cm<sup>2</sup> working pressure can be made on request
- Universal standard of union connection provided
- Maximum filtration velocity: 50 m<sup>3</sup>/hr/m<sup>2</sup>
- Equipped with top multiport valve with 6-way functions
- Automatic air release valve available upon request

### Atecpool Bobinados Plus Clamp Style MPV



Code	Diameter	Max Flow	Valve Connections	Sand
	Ø mm	m <sup>3</sup> /h	inches	kg
<b>31350</b>	350	4,5	1,5"	20
<b>31400</b>	400	6,5	1,5"	35
<b>31450</b>	450	8	1,5"	45
<b>31500</b>	500	11	1,5"	85
<b>31650</b>	650	16	1,5"	145
<b>31700</b>	700	20	1,5"	210

### Atecpool Bobinados Plus Screw Type MPV



Code	Diameter	Max Flow	Valve Connections	Sand
	Ø mm	m <sup>3</sup> /h	inches	kg
<b>31800</b>	800	25	2,0"	355
<b>31900</b>	900	31	2,0"	470
<b>32100</b>	1000	39,50	2,5"	620
<b>32200</b>	1200	56,50	2,5"	860

Code	Filtration Area	Dimensions					
		A	B	C	D	E	F
<b>31350</b>	0,09	726	619	550	160	355	298
<b>31400</b>	0,13	757	640	590	175	410	390
<b>31450</b>	0,16	814	698	638	210	455	390
<b>31500</b>	0,22	845	730	670	235	535	500
<b>31650</b>	0,32	950	835	775	300	635	500
<b>31700</b>	0,40	1020	905	845	330	710	500
<b>31800</b>	0,50	1200	1085	1002	425	800	780
<b>31900</b>	0,64	1300	1172	1090	480	900	780
<b>32100</b>	0,79	1434	1410	1160	580	1000	780
<b>32200</b>	1,13	1634	1620	1368	740	1200	1000

Maximum filtration velocity: 50 m<sup>3</sup>/h/m<sup>2</sup> - Maximum working pressure: 2,5 kg/cm<sup>2</sup> - Testing Pressure: 4 kg/cm<sup>2</sup>.  
These codes include the filter valve.

# Atecpool Bobinados Plus

## BOBBIN WOUND FILTERS

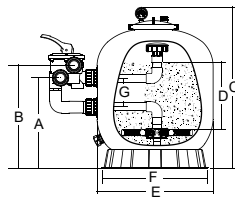


Recommended to be used with  
Activated Filtration Media

### Atecpool Bobinados Plus Side Mounted Filter

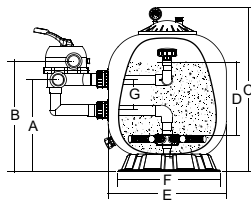
- Bobbin-wound fiberglass reinforced tank with
- UV-resistant surface finish
- Transparent lid is designed for easy inspection of sand bed
- Supplied with pressure gauge, manual air vent, water purge and multiport valve
- Maximum working pressure: 2,5 kg/cm<sup>2</sup>
- Testing Pressure: 4 kg/cm<sup>2</sup>
- Max temperature of 50°C
- Universal standard of union connection provided
- Suggested size of media : 0.5-0.8 mm
- Equipped with side multiport valve with 6-way functions
- Maximum Filtration Velocity : 50 m<sup>3</sup>/hr/m<sup>2</sup>.
- ABS laterals
- Filters with 4Kg/cm<sup>2</sup> working pressure can be made on request
- Automatic air release valve available upon request

### Atecpool Bobinados Plus Transparent Lid Model



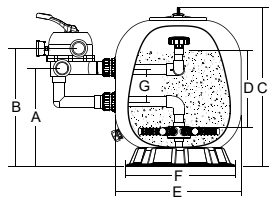
Code	Diameter	Max Flow	Valve Connections	Sand
	∅ mm	m <sup>3</sup> /h	inches	kg
60450	450	8	1 1/2"	45
60500	500	11	1 1/2"	85
60650	650	16	1 1/2"	145
60700	700	20	1 1/2"	210

### Atecpool Bobinados Plus Injected Lid with Bolts



Code	Diameter	Max Flow	Valve Connections	Sand
	∅ mm	m <sup>3</sup> /h	inches	kg
60702	700	20	2"	215
60800	800	26,5	2"	355
60900	900	33	2"	470

### Atecpool Bobinados Plus Quick Closing Lid



Code	Diameter	Max Flow	Valve Connections	Sand	Gravel
	∅ mm	m <sup>3</sup> /h	inches	kg	kg
60902	900	33	2 1/2"	320	150
61000	1000	41	2"	420	200
61002	1000	41	2 1/2"	420	200
61200	1200	58,5	2"	610	250
61202	1200	58,5	2 1/2"	610	250

Code	Filtration Area	Dimensions						
		A	B	C	D	E	F	G
60450	0,16	360	420	730	210	455	390	125
60500	0,22	390	450	770	235	535	500	125
60650	0,32	430	490	850	300	635	500	125
60700	0,40	450	510	960	330	710	500	125
60702	0,41	520	606	890	390	723	500	220
60800	0,53	560	646	1050	425	820	780	220
60900	0,66	610	696	1180	480	920	780	220
60902	0,66	673	744	1180	380	920	780	236
61000	0,82	700	770	1220	580	1020	780	220
61002	0,82	773	844	1220	480	1020	780	236
61200	1,17	820	1005	1410	740	1220	1000	220
61202	1,17	836	1079	1410	640	1220	1000	236

Maximum filtration velocity: 50 m<sup>3</sup>/h/m<sup>2</sup> - Maximum working pressure: 2,5 kg/cm<sup>2</sup> - Testing Pressure: 4 kg/cm<sup>2</sup>.

# Atecpool Blow Moulded

## ELECTA FILTER



Recommended to be used with  
Activated Filtration Media

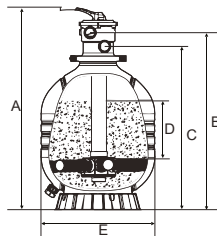
### Electa Filter Specifications

Atecpool's innovative design and advanced technology offers superior filtration performance and crystal clear water. Electa Filter is blown as a one-piece with high density polyethylene for its heavy duty performance and reliability.

- Unique one-piece clamp with screw-type lock designed to simplify installation and allow tool-free servicing
- Maximum working pressure 2,5 bar

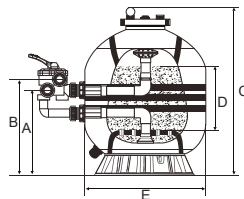
- Max temperature of 50°C (122°F)
- Universal Standard of union connection provided
- ABS lateral provided
- Suggested size of media: 0.5 - 0.8 mm
- Equipped with multiport valve with 6-way functions
- Easy-to-read pressure gauge for easy inspection
- Max filtration velocity : 50 m<sup>3</sup>/hr/m<sup>2</sup>
- Automatic air release valve available upon request

### Electa Top Mounted Sand Filters



Code	Diameter	Max Flow	Valve Connections	Sand
	∅ mm	m <sup>3</sup> /h	inches	kg
55450	450	7	1 1/2"	40
55510	510	10	1 1/2"	70
55610	610	14	1 1/2"	125
55700	700	18	1 1/2"	185
55800	800	23,5	2"	320
55900	900	30,5	2"	430

### Electa Side Mounted Sand Filters



Code	Diameter	Max Flow	Valve Connections	Sand
	∅ mm	m <sup>3</sup> /h	inches	kg
51450	450	7	1 1/2"	40
51510	510	10	1 1/2"	70
51610	610	14	1 1/2"	125
51700	700	18	1 1/2"	185
51800	800	23,5	2"	320
51900	900	30,5	2"	430

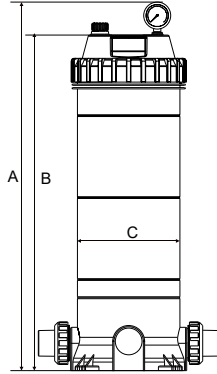
Code	Diameter	Valve Connection	Filtration Area	Dimensions				
	∅ mm	inches		A	B	C	D	E
Top Mounted Filter								
55450	450	1 1/2"	0,14	816	695	625	195	450
55510	510	1 1/2"	0,20	889	772	712	225	510
55610	610	1 1/2"	0,28	980	860	800	280	610
55800	800	2"	0,47	1178	1021	955	370	800
55900	900	2"	0,61	1296	1139	1073	440	900
Side Mounted Filter								
51450	450	1 1/2"	0,14	354,4	417,5	670	195	450
51510	510	1 1/2"	0,20	396,3	549,3	760	225	510
51610	610	1 1/2"	0,28	429,5	492,5	825	280	610
51700	700	1 1/2"	0,36	459,5	545,5	946	300	700
51800	800	2"	0,47	508,0	594,0	968	370	800
51900	900	2"	0,61	564,0	650,0	1086	440	900

Maximum filtration velocity: 50 m<sup>3</sup>/h/m<sup>2</sup> - Maximum working pressure: 2,5 kg/cm<sup>2</sup> - Testing Pressure: 4 kg/cm<sup>2</sup>.

# Atecpool Cartridge Filter

PP AND FIBERGLASS BODY

## Atecpool Cartridge Filter

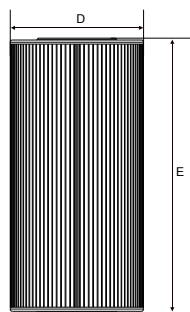


- Body made of PP and fiberglass
- Complete with pressure gauge and manual air vent
- Compact and light weight
- Heavy duty ring-lock lid allows easy cleaning and replacement of the cartridge element
- High filtration capacity
- Screw type air bleeder for easy removal of trapped air inside the filter tank.
- Maximum water temperature: 40°C
- Maximum operation pressure: 2,5 Bar
- Filtration velocity of 1.8 m<sup>3</sup>/hr/m<sup>2</sup>

Code	Filtration Area	Connection	Max Flow Rate	Dimension		
	m <sup>2</sup>	inches		A (Height)	B	C
087510	2,25	1,5"	5,5	445	387	225
087511	4,63	1,5"	11,4	625	567	225
087512	7	1,5"	17,0	805	747	225
087513	9,4	2"	22,9	985	927	225
087514	13,72	2"	33,4	1165	1107	225
087515	16,82	2"	40,9	1345	1287	225

## Atecpool Replacement Cartridge

High quality cartridge element for long life filtration. Suitable for Spa.



Code	Dimensions (mm)		Micron
	D Ø	E (Height)	
087510 C	183	184,5	≤15
087511 C	183	364,5	≤15
087512 C	183	544,5	≤15
087513 C	183	724,5	≤15
087514 C	183	904,5	≤15
087515 C	183	1091	≤15

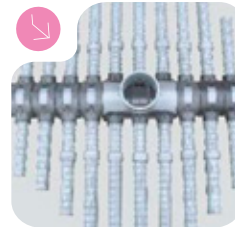
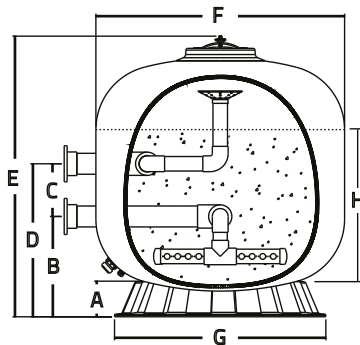
# Atecpool Bobinados Commercial

## BOBBIN WOUND FILTERS

### Atecpool Commercial Filter

Filter diameters ranges from 1200 - 2500 mm. Developed to meet the most demanding installations for:

- Olympic pools, semi-olympic pools, aquatic parks and water treatment
- Max working pressure: 2,5 kg/cm<sup>2</sup>
- Filters with 4Kg/cm<sup>2</sup> working pressure can be made on request
- Extensive construction with polyester and glass fiber winding
- High resistance and high quality of water filtration
- Spiral cover system supports the operations of opening and closing
- Filters supplied with flange connection from 3" to 8" for connection to a battery of 4/5 butterfly valves
- For ozone applications, filters can be lined with vinyl-ester on demand
- Standard internal distribution system: collector arms
- The distance between the upper part of the sand layer and the diffuser head is increased to ensure greater distribution of water in the filtration phase and avoids sand spill into the laterals during backwashing
- Valve manifold frontal piping or Butterfly valve assembly to be ordered separately



Standard internal distribution system



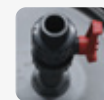
Nozzle plate (Optional)



Recommended to be used with Activated Filtration Media

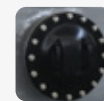
Code	Diameter	Filtration Velocity	Flow Rate	Valve Connections	Filtration Area	Sand	Gravel
	Ø mm	m <sup>3</sup> /h/m <sup>2</sup>	m <sup>3</sup> /h	inches	m <sup>2</sup>	kg	kg
06831200	1200	30	33	3"	1,13	700	400
		40	45				
06831400	1400	30	46	4"	1,54	1000	500
		40	61				
06831600	1600	30	60	4"	2,01	1450	800
		40	80				
06831800	1800	30	76	6"	2,54	2400	1350
		40	101				
06832000	2000	30	94	6"	3,14	2800	1400
		40	125				
06832350	2350	30	130	8"	4,34	5600	1700
		40	173				
06832500	2500	30	147	8"	4,90	6400	2000
		40	196				

Model	Diameter	Dimensions (mm)							
		D Ø mm	A	B	C	D	E	F	G
06831200	1200	170	565	350	915	1410	1200	1000	720
06831400	1400	190	565	350	915	1570	1400	1220	760
06831600	1600	200	650	350	1000	1740	1620	1365	820
06831800	1800	220	690	415	1105	2040	1790	1630	950
06832000	2000	220	770	415	1185	2210	1945	1630	1020
06832350	2350	230	950	550	1500	2510	2375	1800	1200
06832500	2500	230	1050	550	1600	2670	2495	1800	1290



**Included:**

- Air purge: 20mm



**Options:**

- Side manhole: Ø400mm



- Sight glass: 114mm

- Nozzle plate distributor

- Working pressure: 4kg/cm<sup>2</sup>



- Automatic air release valve available upon request (Ref. Pg No.71 for details)

**Note:**

- On demand, filters with special heights can be produced.
- Filters of Ø2350 and above may require special transportation.

# Atecpool Bobinados Commercial Plus

## BOBBIN WOUND FILTERS

Filtration Bed 1 meter

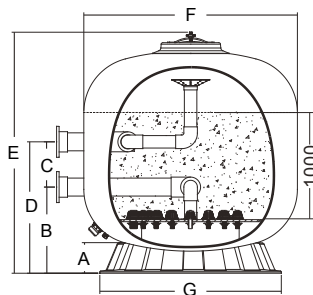
### Atecpool Commercial Filter

Filter diameters ranges from 1050 - 2200 mm. Developed to meet the most demanding installations for:

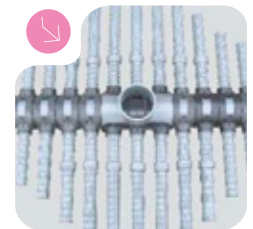
- Olympic pools, semi-olympic pools, aquatic parks and water treatment
- Maximum working pressure: 2,5 kg/cm<sup>2</sup>
- Filters with 4 kg/cm<sup>2</sup> working pressure can be made on request
- Extensive construction with polyester and glass fiber winding
- High resistance and high quality of water filtration
- Spiral cover system supports the operations of opening and closing

- Filters supplied with flange connection from 3" to 8" for connection to a battery of 4/5 butterfly valves
- For ozone applications, filters can be lined with vinyl-ester on demand
- Standard internal distribution system: collector arms
- The distance between the upper part of the sand layer and the diffuser head is increased to ensure greater distribution of water in the filtration phase and avoid sand spill into the laterals during backwashing

Valve manifold frontal piping or butterfly valve assembly to be ordered separately.



Nozzle plate internal Distribution system



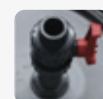
Standard internal distribution system



Recommended to be used with Activated Filtration Media

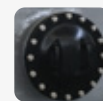
Code	Diameter	Filtration Velocity	Flow Rate	Flanges Connections	Filtration Area	Sand	Gravel
	Ø mm	m <sup>3</sup> /h/m <sup>2</sup>	m <sup>3</sup> /h	inches	m <sup>2</sup>	kg	kg
06851050	1050	30	25,8	3"	0,86	1105	265
		40	34,4				
06851200	1200	30	33,9	3"	1,13	1470	380
		40	45,2				
06851400	1400	30	46,2	4"	1,54	1980	410
		40	61,6				
06851600	1600	30	60,3	4"	2,01	2610	500
		40	80,4				
06851800	1800	30	76,2	6"	2,54	3310	620
		40	101,6				
06852000	2000	30	94,2	6"	3,14	4030	730
		40	125,6				
06852200	2200	30	114	8"	3,80	4940	1440
		40	152				

Model	Diameter	Dimensions (mm)						
		D Ø mm	A	B	C	D	E	F
06851050	1050	170	625	550	1175	1816	1050	960
06851200	1200	190	630	550	1180	1816	1200	995
06851400	1400	200	630	550	1180	1816	1400	1220
06851600	1600	220	720	490	1210	1916	1600	1365
06851800	1800	220	750	440	1190	1956	1800	1630
06852000	2000	230	770	490	1260	2060	2000	1630
06852200	2200	230	940	500	1440	2376	2200	1800



#### Included:

- Air purge: 20mm



#### Options:

- Side manhole: Ø400mm



- Sight glass: 114mm

- Nozzle plate distributor

- Working pressure: 4kg/cm<sup>2</sup>



- Automatic air release valve available upon request (Ref. Pg No.71 for details)

#### Note:

- On demand, filters with special heights can be produced.
- Filters of Ø2350 and above may require special transportation.

# Atecpool Ocea

## LAMINATED FILTERS

Recommended to be used  
with Glass Media



### Atecpool Laminated Filter Specifications

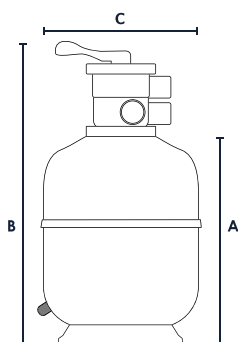
Atecpool innovative design and advanced technology offers superior filtration performance and crystal clear water.

- ➔ Maximum working temperature 40°C
- ➔ Fiberglass reinforced polyester base
- ➔ Injected interior parts in ABS and PVC
- ➔ Collector system using laterals 0.3mm slot
- ➔ Equipped with 2" sand/water drain
- ➔ All gaskets in silicon

Body in laminated fiberglass, reinforced with polyester, making the filter fully anti-corrosive.

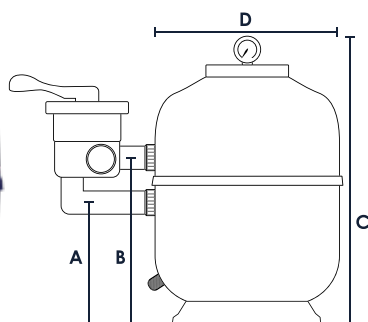
- ➔ Supplied with MPV
- ➔ Closed top lid in two options
- ➔ Transparent glass lid with nuts and gaskets (Side MPV Filters)
- ➔ MPV Filters)
- ➔ Injected ABS with nuts and gaskets (Top MPV Filters)
- ➔ Automatic air release valve available upon request

### Atecpool Ocea Top Mounted Sand Filters



Code	Diameter	Max Flow	Valve Connections	Sand
	Ø mm	m³/h	mm	kg
<b>65450</b>	450	8	50	80
<b>65500</b>	500	10	50	90
<b>65650</b>	650	15	50	140
<b>65760</b>	760	22	63	305
<b>65800</b>	800	24	63	325
<b>65950</b>	950	30	63	530

### Atecpool Ocea Side Mounted Sand Filters



Code	Diameter	Max Flow	Valve Connections	Sand
	Ø mm	m³/h	mm	kg
<b>66450</b>	450	8	50	80
<b>66500</b>	500	10	50	90
<b>66650</b>	650	15	50	140
<b>66760</b>	760	22	63	305
<b>66800</b>	800	24	63	325
<b>66950</b>	950	32	63	530

Code	Diameter	Valve Connection	Filtration Area	Dimensions			
	Ø mm			mm	m²	A	B
Top Mounted Filter							
<b>65450</b>	450	50	0,14	650	830	450	
<b>65500</b>	500	50	0,20	750	930	500	
<b>65650</b>	650	50	0,30	850	1030	650	
<b>65760</b>	760	63	0,42	1000	1180	760	
<b>65800</b>	800	63	0,46	1030	1210	800	
<b>65950</b>	950	63	0,60	1030	1210	950	
Side Mounted Filter				A	B	C	D
<b>66450</b>	450	50	0,16	290	410	700	450
<b>66500</b>	500	50	0,20	300	420	800	500
<b>66650</b>	650	50	0,30	320	440	900	650
<b>66760</b>	760	63	0,44	360	560	1030	760
<b>66800</b>	800	63	0,48	380	580	1080	800
<b>66950</b>	950	63	0,64	380	580	1080	950

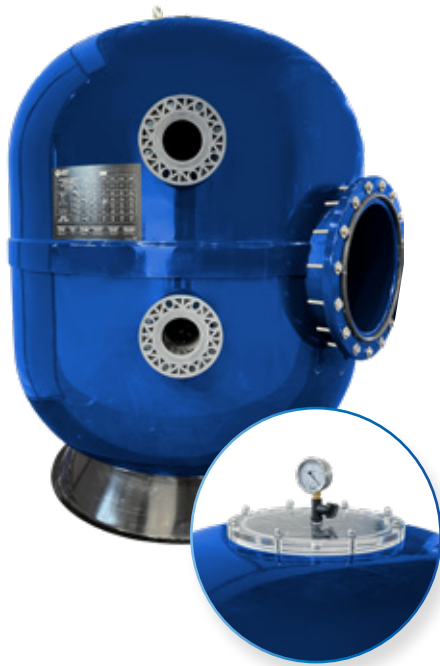
Maximum filtration velocity: 50m³/h/m² Maximum working pressure: 2,5 kg/cm² Testing Pressure: 4kg/cm².

# Atecpool Baltico

## 1.2 MTR BED FILTER



Filtration Bed 1.2 meter



### Atecpool Baltico

Commercial filters for public pools, made with industrial standards, reinforced fibreglass tank, UV resistant. Bottom with nozzles plate. Top lid and side lid of 400mm made in reinforced fibreglass. Equipped with overpressure safety valve as standard.

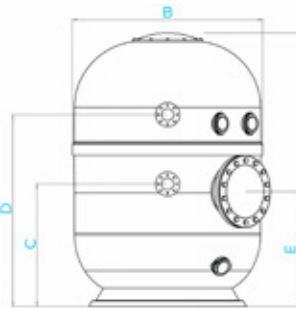
### Specifications

- Bed depth: 1,2 meter
- Drain set dia 75mm. plug 1"
- PVC connection flanges
- Filter with special ozone treatment available under request
- **OPTIONAL:** 5 valves battery with PVC connections
- **OPTIONAL:** sight glass FIMIR400 (2 units)
- **OPTIONAL:** side manhole FIBHL400

### Functions

- Working pressure 0,6 - 2 kg/cm<sup>2</sup>
- Maximum pressure 2,5 kg/cm<sup>2</sup>
- Testing pressure 3,75 kg/cm<sup>2</sup>
- Operating temperature 1° - 40°C
- Top lid Ø 400 mm
- Side manhole Ø 400 mm
- Drain water/sand 1" / 3"
- Bed depth 1200 mm
- Two sight glasses - optional Ø 90 mm

### Atecpool Baltico Filter dimensions



### Technical Data

Code	Diameter	Conn. Size	Filt. Area	Filt. Velocity	Max Flow	Dimensions					Gravel (1-2mm)	Sand (0.4-0.8mm)
						A	B	C	D	E		
	mm	mm	m <sup>2</sup>	m <sup>3</sup> /h/m <sup>2</sup>	m <sup>3</sup> /h						Kg	Kg
BTC105020	1050	63	0,87	20	17	2037	1050	917	1437	861	200	1320
BTC105034	1050	75	0,87	30-40	26-34	2037	1050	917	1437	861	200	1320
BTC105050	1050	90	0,87	50	43	2037	1050	917	1437	861	200	1320
BTC120023	1200	75	1,13	20-30	23-34	2037	1200	917	1437	861	250	1740
BTC120045	1200	90	1,13	40-50	45-56	2037	1200	917	1437	861	250	1740
BTC120055	1200	110	1,13	50	60	2037	1200	917	1437	861	250	1740
BTC140020	1400	75	1,54	20	31	2037	1400	917	1437	861	375	2460
BTC140030	1400	90	1,54	30	46	2037	1400	917	1437	861	375	2460
BTC140045	1400	110	1,54	40-50	62-77	2037	1400	917	1437	861	375	2460
BTC160020	1600	90	2,01	20	40	2037	1600	917	1437	861	500	2820
BTC160034	1600	110	2,01	30-40	60-80	2037	1600	917	1437	861	500	2820
BTC160050	1600	125	2,01	50	100	2037	1600	917	1437	861	500	2820
BTC180020	1800	90	2,54	20	51	2262	1800	932	1652	861	750	4020
BTC180030	1800	110	2,54	30	76	2262	1800	700	1652	861	750	4020
BTC180040	1800	125	2,54	40	102	2262	1800	700	1652	861	750	4020
BTC180050	1800	140	2,54	50	125	2262	1800	700	1652	861	750	4020
BTC200020	2000	110	3,14	20	63	2262	2000	700	1652	861	1000	5160
BTC200030	2000	125	3,14	30	94	2262	2000	700	1652	861	1000	5160
BTC200040	2000	140	3,14	40	125	2262	2000	700	1652	861	1000	5160
BTC200050	2000	160	3,14	50	157	2262	2000	700	1652	861	1000	5160

# Atecpool Horizontal Filter

## BOBBIN WOUND COMMERCIAL FILTER

### Atecpool Horizontal Filters

Atecpool horizontal commercial filters offer a much bigger filtration system for big commercial projects. The filters size ranges from 1050mm to 2500mm in diameter with optional accessories.

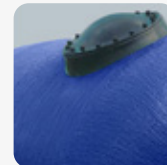
- ➔ Smart air relief valve for manual and automatic air pressure release.
- ➔ Designed to assemble with valve manifold.
- ➔ In-fluent collector manifold distribution to prevent clogging.
- ➔ Materials used are durable and suitable for all-weather performance.
- ➔ Available in standard 2.5 bar and 4.0 bar operating pressure model.

### Technical Data

Model		Tank Ø A	Length B	Height C	Filtration Area	Designed Velocity	Max. Flow Rate
2.5 bar	4 bar	mm	mm	mm	m <sup>2</sup>	m <sup>3</sup> /h/m <sup>2</sup>	m <sup>3</sup> /h
<b>A: Tank Diameter 1050mm</b>							
7825045	7840045	1050	1,900	1260	1,72	30	42
7825065	7840065		2,300	1260	2,12	20	64
7825070	7840070		2,500	1260	2,32	20	70
7825075	7840075		2,700	1260	2,51	40	75
7825085	7840085		3,000	1260	2,81	40	84
<b>A: Tank Diameter 1250mm</b>							
7825110	7840110	1200	2,500	1500	2,65	40	106
7825130	7840130		3,000	1500	3,21	40	129
<b>A: Tank Diameter 1400mm</b>							
7825125	7840125	1400	2,500	1600	3,02	40	121
7825145	7840145		3,000	1600	3,67	30	147
<b>A: Tank Diameter 1600mm</b>							
7825135	7840135	1600	2,500	1830	3,36	30	134
7825165	7840165		3,000	1830	4,1	30	164
<b>A: Tank Diameter 1800mm</b>							
7825150	7840150	1800	2,500	2050	3,74	30	150
7825185	7840185		3,000	2050	4,58	30	183
7825220	7840220		3,500	2050	5,41	30	216
7825250	7840250		4,000	2050	6,25	30	250
<b>A: Tank Diameter 2000mm</b>							
7825180	7840180	2000	2,500	2220	4,34	30	180
7825215	7840215		3,000	2220	5,3	30	212
7825255	7840255		3,500	2220	6,25	30	250
7825290	7840290		4,000	2220	7,21	30	288
7825320	7840320		4,500	2220	8,16	20	320
<b>A: Tank Diameter 2350mm</b>							
7825240	7840240	2350	3,000	2560	5,94	20	238
7825285	7840285		3,500	2560	7,06	30	283
7825325	7840325		4,000	2560	8,17	40	320
7825350	7840350		4,500	2560	9,28	40	350
7825380	7840380		5,000	2560	10,4	30	380
<b>A: Tank Diameter 2500mm</b>							
7825300	7840300	2500	3,500	2710	7,34	30	300
7825335	7840335		4,000	2710	8,62	40	335
7825385	7840385		4,500	2710	9,8	30	380
7825410	7840410		5,000	2710	10,98	30	410



**Dual Stack Horizontal Filter**  
option available upon request



**Manhole access Ø 400 mm**  
Internal dia Ø400mm/  
External dia Ø520mm



**Collectors**  
Uniformly distributed  
collection arms with  
0.3 mm precision slots  
for consistent flow and  
improved water circulation



#### Included:

- Pressure Gauge Panel
- Water Drain
- Smart Air Release Valve

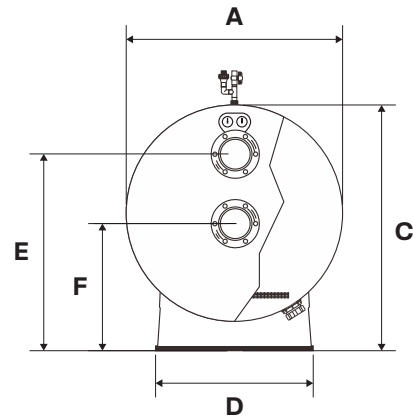
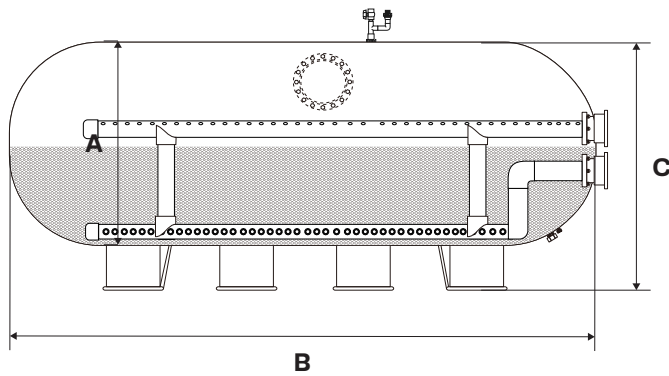


#### Options:

- Additional inline sight glass
- Internal sight glass
- Side manhole
- Valve manifold (valve battery)
- Vinyl-ester internal coating

# Atecpool Horizontal Filter

## BOBBIN WOUND COMMERCIAL FILTER



### Technical Specifications

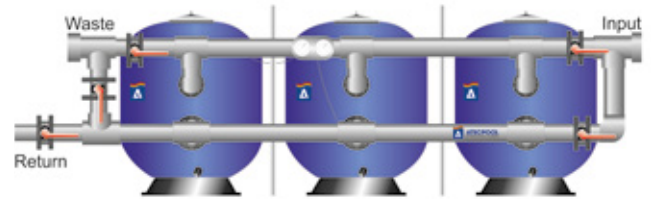
Model		Tank Ø A	Length B	Height C	D	E	F	Media Bed Depth	Flange Conn.	Sand (1-2mm)	Gravel (0.5-1mm)
2.5 bar	4 bar	mm	mm	mm	mm	mm	mm	mm	mm	kg	kg
<b>A: Tank Diameter 1050mm</b>											
7825045	7840045	1050	1,900	1260	800	955	630	500	80	350	950
7825065	7840065		2,300	1260	800	955	630		110	475	1,250
7825070	7840070		2,500	1260	800	955	630		110	575	1,525
7825075	7840075		2,700	1260	800	955	630		160	700	1,600
7825085	7840085		3,000	1260	800	955	630		160	775	2,025
<b>A: Tank Diameter 1250mm</b>											
7825110	7840110	1200	2,500	1500	920	1050	725	600	160	700	1,750
7825130	7840130		3,000	1500	920	1050	725		160	925	2,325
<b>A: Tank Diameter 1400mm</b>											
7825125	7840125	1400	2,500	1600	1100	1200	810	800	160	800	2,825
7825145	7840145		3,000	1600	1100	1200	810		160	1,000	3,450
<b>A: Tank Diameter 1600mm</b>											
7825135	7840135	1600	2,500	1830	1160	1400	925	1000	160	850	3,875
7825165	7840165		3,000	1830	1160	1400	925		160	1,050	4,750
<b>A: Tank Diameter 1800mm</b>											
7825150	7840150	1800	2,500	2050	1260	1590	1040	1000	160	975	4,850
7825185	7840185		3,000	2050	1260	1590	1040		160	1,225	5,925
7825220	7840220		3,500	2050	1260	1590	1040		210	1,475	7,000
7825250	7840250		4,000	2050	1260	1590	1040		210	1,700	8,075
<b>A: Tank Diameter 2000mm</b>											
7825180	7840180	2000	2,500	2220	1370	1800	1090	1200	160	1,050	6,575
7825215	7840215		3,000	2220	1370	1800	1090		160	1,300	8,025
7825255	7840255		3,500	2220	1370	1800	1090		210	1,550	9,475
7825290	7840290		4,000	2220	1370	1800	1090		210	1,800	10,925
7825320	7840320		4,500	2220	1370	1800	1090		210	2,075	12,375
<b>A: Tank Diameter 2350mm</b>											
7825240	7840240	2350	3,000	2560	1680	1980	1270	1200	160	2,575	9,300
7825285	7840285		3,500	2560	1680	1980	1270		210	3,125	11,050
7825325	7840325		4,000	2560	1680	1980	1270		260	3,650	12,800
7825350	7840350		4,500	2560	1680	1980	1270		260	4,200	14,525
7825380	7840380		5,000	2560	1680	1980	1270		260	4,750	16,250
<b>A: Tank Diameter 2500mm</b>											
7825300	7840300	2500	3,500	2710	1750	2070	1360	1300	210	3,175	11,675
7825335	7840335		4,000	2710	1750	2070	1360		260	3,725	13,500
7825385	7840385		4,500	2710	1750	2070	1360		260	4,300	15,350
7825410	7840410		5,000	2710	1750	2070	1360		260	4,850	17,200

# Atecpool Valve Manifold

## MANUAL OR AUTOMATICALLY DRIVEN

### Atecpool Manual Valve Manifold

A Manual Valve Manifold for commercial filter applications, fitted with PVC pipes and fittings. Butterfly valves or ball valves in PVC. Comes with double glass pressure gauge. All manual or automatically driven valve manifolds are manufactured with flanges for connection to filters as per DIN 2501 standards. All manifolds are supplied assembled without support brackets.



Code	Description	Connections	
	Butterfly valve		inch
AV275	5-valve manifold	D80	3"
AV290	5-valve manifold	D100	4"
AV211	5-valve manifold	D150	6"
AV212	5-valve manifold	D200	8"



### Atecpool Automatic Valve Manifold

Automatic valve manifold sets are delivered completely assembled including a manometer panel with testing valves and the pipe supports (pipe supports are only supplied for filters with connections larger than 90 mm).

Supplied with automatic PVC butterfly valves with electric or pneumatic actuator. Control panel for valve manifold to be used with electrically or pneumatically actuated valves. Fitted within the control panel, automatic programming installation that allows the execution of automatic filtration, backwashing, rinsing and shut-down operations. Control panel supplied together with automatic valves. 230 V single phase with factory programmed automation. Each valve battery consists of 5 butterfly valves, control panel, manometer and pipes, fully assembled.



### Atecpool Valve Manifold - Electrically actuated

Code	Description	Connections	
	Electric valve		inch
AV0683	5 - valve battery E	D80	3"
AV0684	5 - valve battery E	D100	4"
AV0685	5 - valve battery E	D150	6"
AV0686	5 - valve battery E	D200	8"

### Atecpool Valve Manifold - Pneumatically actuated

Code	Description	Connections	
	Pneumatic valve		inch
AV0691	5 - valve battery P	D80	3"
AV0692	5 - valve battery P	D100	4"
AV0693	5 - valve battery P	D150	6"
AV0694	5 - valve battery P	D200	8"

\*Dedicated compressor is required (footprint 1m² approx.)



# Atecpool Besgo

## AUTOMATIC BACKWASH



### Atecpool Automatic Backwash

Atecpool Besgo backwash valves of U-PVC are pneumatic and can be operated with water or air pressure. Solenoid valve included with emergency manual override. Sizes DN40 / D50 to DN100 / D110.

- ➔ **Outstanding reliability:** The automatic backwash valve opens by means of water pressure and closes under pressure from a spring. In the eventuality of electrical failure the Atecpool Besgo valve returns automatically to the "Filter" position. Eliminating the risk of unintentional draining of the pool.
- ➔ Switching over from "Filter" to "Backwash" does not require the filter pump to be stopped.
- ➔ **Low pressure drop:** This results in a high velocity backwash which is particularly important for an almost pressure-free backwash.

### Specifications

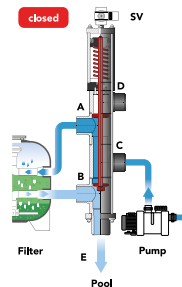
- ➔ **Material**  
Inner parts: stainless steel V4A  
Seals: Viton / Teflon
- ➔ **Actuation**  
Spring-activated closing when not under pressure
- ➔ **Actuating pressure**  
3 to 5 bar mains water or compressed air

- ➔ **Operating pressure**  
Max. 3.5 bar
- ➔ **Solenoid valve**  
The solenoid valve serves to control the hydraulic drive system and can be connected to any customary control system. Closed when electric power off.  
Electrical connection: 230V/50 Hz.

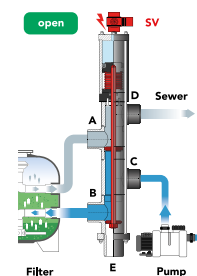


Code	Description	Connection	Flow Rate
		inch	m³/h
AV3103	DN40 / D50	1,5"	20
AV3201	DN50 / D63	2"	30
AV3301	DN65 / D75	2,5"	45
AV3401	DN80 / D90	3"	65
AV3501	DN100 / D110	4"	95

### Filtration mode Solenoid valve closed



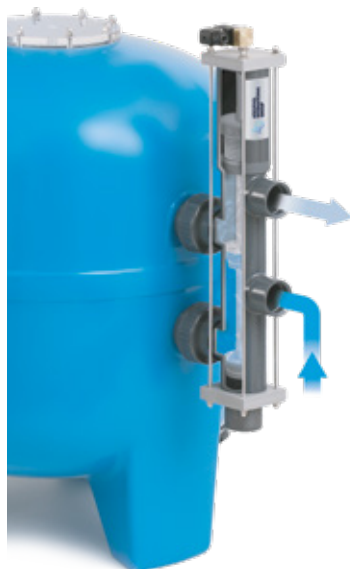
### Backwash mode Solenoid valve open



### References:

- SV: Solenoid valve
- A: Filter connection (inlet)
- B: Filter connection (outlet)

- C: Connection to the filtration pump
- D: Connection to the backwash pipe (sewer)
- E: Connection to the pool (filtered water)



Control Panel



Air compressor



Pressure switch

### Accessories

- ➔ **Control Panel** for Besgo operation.
- ➔ **Air Compressor** 1.1kW, 230V, vessel size 24lt, pressure max 8 bar, 22 kg, with pressure reducer.
- ➔ **Pressure switch** Installation unit 3/8" Besgo, water pressure control composed of: manometer 0-10 bar, non-return valve, fine filter, stop-tap.

Code	Description
BCP10	Control Panel for Besgo Valve
BAC25	Air Compressor 1.1 kW / 230V / 8 Bar
BPS35	Pressure Switch with connection kit



TÜV Rheinland  
CERTIFIED

# Atecpool Inox AISI 316

## STAINLESS STEEL FILTERS

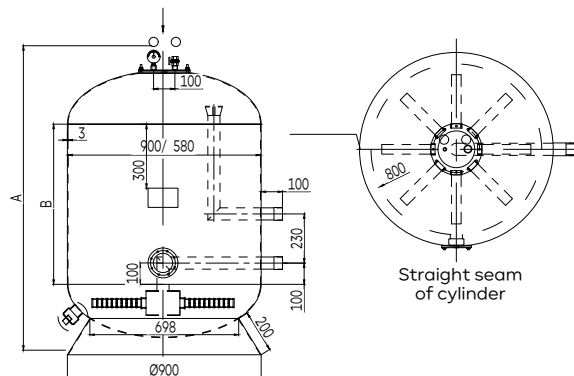
### Atecpool Zodiac Stainless Steel AISI 316 Filter

- ➔ Made from high-quality stainless steel AISI 316
- ➔ SS316 L (marine grade) upon request
- ➔ Maximum working pressure: 3 kg/cm<sup>2</sup>
- ➔ Stainless steel sheet thickness (T) 1.5 mm
- ➔ Upto 10 bar working pressure upon special request
- ➔ Inlet / Outlet: 2" threaded, no valve included
- ➔ Top lid: DN300, silicon gasket with screws
- ➔ Side manhole : DN 140, silicon gasket with screws
- ➔ Leg: skirt type / drain port 59 mm
- ➔ Mirror finish
- ➔ Water distribution : laterals
- ➔ Manual air release valve 1", Automatic air release valve available upon request'



Code	Diameter Ø	Flow Rate	Filtration Area	Thickness	Valve Conn.	Sand	Dimensions	
							mm	mm
	mm	m <sup>3</sup> /h	m <sup>2</sup>	mm	inch	kg	A	B
77500	580	13	0,26	1,5	1.5"	150	950	500
77800	800	25	0,50	1,5	2"	350	1250	600
78900	900	33	0,66	3	2"	500	1350	600

Working Pressure : 3Kg/cm<sup>2</sup> - Testing Pressure: 4kg/cm<sup>2</sup> - Filtration Velocity 50m<sup>3</sup>/h/m<sup>2</sup>



Supplied with

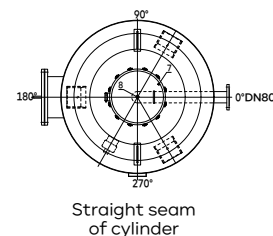
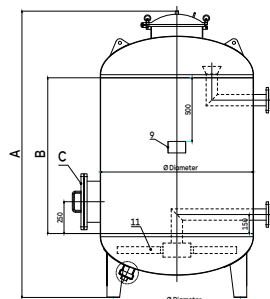
- Side MPV or Besgo Valves



### Atecpool Classic Stainless Steel AISI 316 Filter

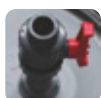


- ➔ Made from high-quality stainless steel AISI 316
- ➔ SS316L (marine grade) upon request.
- ➔ Maximum working pressure: 3 kg/cm<sup>2</sup> / stainless steel sheet thickness (T) 3 mm
- ➔ Upto 10 bar or higher pressure upon special request
- ➔ Inlet / Outlet : Flange type.
- ➔ Top lid: DN400, silicon gasket with screws
- ➔ Side manhole: DN 300 , silicon gasket with screws
- ➔ Leg: 3 legs / drain port 89 mm
- ➔ Water distribution : Laterals
- ➔ Manual air release valve 1" , Automatic air release valve available upon request



Code	Diameter Ø	Flow Rate	Filtration Area	Thickness	Flange Conn.	Sand	Dimensions		
							mm	mm	Ø mm
	mm	m <sup>3</sup> /h	m <sup>2</sup>	mm	inch	kg	A	B	C
781200	1200	57	1,13	3	3" flange	1550	2110	1225	300
781400	1400	78	1,54	3	4" flange	2260	2230	1225	300
781600	1600	101	2,01	4	4" flange	3100	2410	1230	300
781800	1800	127	2,54	4	6" flange	3850	2470	1230	300
782000	2000	157	3,14	4	6" flange	5000	2490	1235	300

Working Pressure : 3 Kg/cm<sup>2</sup> - Testing Pressure: 4kg/cm<sup>2</sup> - Filtration velocity 50m<sup>3</sup>/h/m<sup>2</sup>



- Options:**
- Air purge: 20mm.



- Sight glass: 114mm.

# Atecpool Cartridge Filter

## STAINLESS STEEL

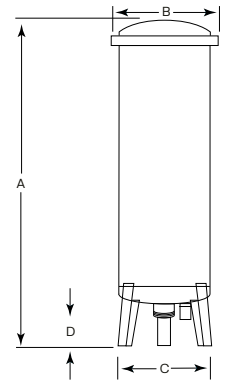
### Atecpool Stainless Steel Cartridge Filter

- NSF/ANSI/CAN Standard 61 listed
- T-304 stainless steel construction, standard
- Electropolished finish, standard
- 150 psi (10.3 bar) pressure rating
- Flow Rates up to 800 gpm (3,028 lpm)
- All filter housings hydrostatically tested
- Easy cartridge installation, removal and service
- Individual studs for safe, secure lid closure
- Extensive choice of cartridge micron ratings and media



### Technical Data

Code	Flow Rate	Height A	Diameter B	Leg Width C	Outlet Height D	Cartridges	Inlet/Outlet	Drain
	m <sup>3</sup> /h	inch	inch	inch	inch	inch	inch	inch
<b>ACF 7</b>	7	19 1/2"	13"	13"	3 1/2"	9 3/4" (Single)	1 1/2" NPT	1" NPT
<b>ACF 14</b>	14	28"	13"	13"	3 1/2"	19 1/2" (Doubles)	1 1/2" NPT	1" NPT
<b>ACF 16</b>	17	28"	13"	13"	4"	19 1/2" (Doubles)	2" NPT	1" NPT
<b>ACF 21</b>	20	37"	13"	13"	3 1/2"	29 1/4" (Triples)	1 1/2" NPT	1" NPT
<b>ACF 24</b>	23	37"	13"	13"	4"	29 1/4" (Triples)	2" NPT	1" NPT
<b>ACF 42</b>	40	40"	18"	18"	5 3/8"	29 1/4" (Triples)	2" NPT	1" NPT
<b>ACF 75</b>	68	42"	20"	20"	6 3/8"	29 1/4" (Triples)	3" NPT	1 1/2" NPT
<b>ACF 100</b>	91	52"	20"	20"	5 7/8"	39" (Quadruples)	3" NPT	1 1/2" NPT



### Specifications

- **Filter Vessel/Metal Components** - 304 stainless steel, electropolished for increased resistance to corrosion; 316 available
- **Holding / Lifting Rods, Standpipes and Pipe Caps** - CPVC, standard models; 304 stainless steel for All stainless steel models
- **Rim Gaskets** - EDPM, standard: BUNA-N, Viton available
- **O-rings** - BUNA-N, standard: EDPM, Viton available
- **Bottom Seals** - natural gum rubber, standard: EDPM, Viton available
- **Pressure** - rated for pressure to 150 PSI (10.3 bar) max
- **Temperature** - rated to 140°F (60°C) with CPVC rods pipe caps, standpipes and standard Harmsco cartridges; rated to 200°F (93°C) for all stainless models with stainless steel rods, pipe caps and standpipes, and Harmsco High-Temp cartridges
- **Flow** - up to 800 gpm; typical flow rates are 4-6 gpm per single length (9-3/4")
- **Wing Nuts** - brass; optional brass hex nuts and stainless steel flat washers

### Atecpool Replacement Cartridge for Stainless Steel Filter

100% Coconut Carbon block cartridges for taste, odor and chlorine reduction

### Features

- 100% coconut shell carbon
- 5 micron nominal filtration
- Radial flow design
- FDA approved components
- High porosity design
- Available in 9.75", 19.5", 29.25" and 39" lengths

### Specifications

- **Carbon:** 100% Coconut shell PAC
- **End caps:** Polypropylene
- **Inner / Outer Wraps:** Polypropylene
- **Nettings:** Polyethylene
- **Gaskets:** EPDM
- **Temperature Rating:** 40°F (4°C) to 140°F (60°C)



Code	Length	Nominal Micron Rating	Chlorine, Taste, Odor Reduction Capacity at Flow rate	Initial Pressure Drop at Flow Rate	Outside Diameter
	inch		lpm	bar/lpm	inch
<b>801-ATC</b>	9 3/4"	5	> 33,300 liters @ 3.8 lpm	.18 bar @ 3.8 lpm	2 3/4"
<b>921-ATC</b>	19 1/2"	5	> 66,600 liters @ 7.6 lpm	.18 bar @ 7.6 lpm	2 3/4"
<b>931-ATC</b>	29 1/4"	5	> 99,900 liters @ 11.4 lpm	.18 bar @ 11.4 lpm	2 3/4"
<b>941-ATC</b>	39"	5	> 133,200 liters @ 15.1 lpm	.18 bar @ 15.1 lpm	2 3/4"

# Atecpool Multiport Valves

## SIX-WAY VALVES

### Atecpool Multiport Valves

#### Functions

- ➔ Filter: Normal filtration and vacuuming
- ➔ Backwash: Cleans filter by reversing water flow
- ➔ Rinse: Used after backwash to flush dirt from valve and pipes
- ➔ Waste: Filter by-pass option to discharge dirt from vacuuming to waste or to lower water level
- ➔ Recirculate: Filter by-pass option to circulate water back to pool directly.
- ➔ Close: Stops all flow to filter or pool housing, cover and handle are made of ABS, gasket in EPDM and metallic components in S.S. and distributor in PPE.
- ➔ Multiport valves (MPV) are available in 2 different configurations.
  - ➔ Top and Side Multiport valves.
  - ➔ Top Multiport valve has two connections. 1½" and 2".
  - ➔ Side Multiport valve has three connections. 1½" and 2".

1½" TOP multiport valve



ELECTA FILTER

2" TOP multiport valve



ELECTA FILTER

1½" SIDE multiport valve



ELECTA FILTER

Code	Dimension		Colour	Weight	Volume pkg	
	mm	inch			kg	m³
726103	50	1 1/2"	Black	3,8	0,02	

Code	Dimension		Colour	Weight	Volume pkg	
	mm	inch			kg	m³
726104	63	2"	Black	5	0,028	

Code	Dimension		Colour	Weight	Volume pkg	
	mm	inch			kg	m³
726105	50	1 1/2"	Black	3,8	0,02	

2" SIDE multiport valve



ELECTA FILTER

1½" TOP multiport valve



BOBINADOS SERIE

2" TOP multiport valve



BOBINADOS SERIE

Code	Dimension		Colour	Weight	Volume pkg	
	mm	inch			kg	m³
726106	63	2"	Black	5	0,028	

Code	Dimension		Colour	Weight	Volume pkg	
	mm	inch			kg	m³
0683150	50	1 1/2"	Black	3,8	0,02	

Code	Dimension		Colour	Weight	Volume pkg	
	mm	inch			kg	m³
0683200	63	2"	Black	5	0,028	

1½" SIDE multiport valve



BOBINADOS SERIE

2" and 2½" SIDE multiport valve



BOBINADOS SERIE

Code	Dimension		Colour	Weight	Volume pkg	
	mm	inch			kg	m³
0684150	50	1 1/2"	Black	3,8	0,02	

Code	Dimension		Colour	Weight	Volume pkg	
	mm	inch			kg	m³
0684200	63	2"	Black	5	0,04	
0684250	75	2 1/2"	Black	7	0,06	

### Automatic Air Release Valve



#### Automatic Air Release Valve

- Body in nickel-plated brass.
- Float in polyethilenic resin.
- Maximum working temperature: 110°C.
- Maximum discharge pressure: 10 bar.

Available with NPT thread in the sizes  
**CODE : 21050** - 1/2" Connection  
**CODE : 21750** - 3/4" Connection  
**CODE : 21100** - 1" Connection

# Atecpool Automatic Selector Valves

## TOP AND SIDE CONNECTIONS

### Atecpool Basic and Flat Automatic Selector Valves



2030841/3



2030845

#### Features

- Innovative design.
- Easy to install.
- Low weight and volume.
- High impact-resistant cover.
- Water and dust resistant (IP 65).
- Complies with CE regulations.
- Automatic pump shutdown during valve position changes.

#### Options

- Solenoid valve in the drain: Optional Safety system to protect against power supply failures during valve position changes.
- Optional control panel-direct connection with the installations existing control box.

Code	Description	Position	Maximum Flow	Power Supply	Programming
2030841	Automatic Selector Valve Basic 11/2"	Side-mount	14 m³/h (62 GPM)	230 / 115V AC	Programmed via a touch-sensitive keypad
2030843	Automatic Selector Valve Basic 2"	Side-mount	18 m³/h (80 GPM)		
2030845	Automatic Selector Valve Flat 11/2"	Top	12m³/h - (53 GPM)	230 / 115V AC	Backwash time programmed via potentiometer in the electronic board.
2030842	Automatic Selector Valve Flat 11/2"	Side-mount	12m³/h - (53 GPM)		

Maximum working pressure: 3.5 bar - Maximum testing pressure 5.2 bar

### Atecpool Smart Selector Valves

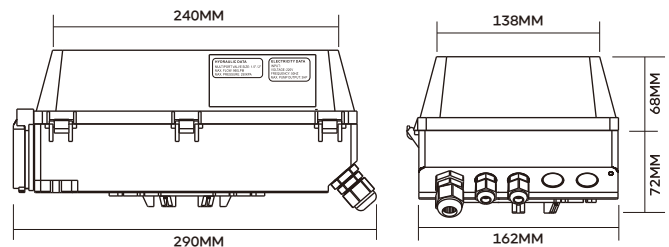
- ➔ Backwash the filter with a touch of a button, easy.
- ➔ Change valve position without a handle.
- ➔ Built-in Pressure Sensor : Backwash automatically when tank pressure is high.
- ➔ 5-inch LCD Touch Screen : Display and control with ease and user friendly interface.



#### Specifications

- ➔ Mounting Configuration : Top or Side
- ➔ Connections : 1,5" / 2" / 2,5"
- ➔ Smart Valve Function : Pressure switch, timer or one-touch
- ➔ Adjustable Pressure Switch : 30 KPA-200 KPA
- ➔ Max. Timer Wash : 1 wash per day, 7 days schedule
- ➔ Adjustable Wash Time : 5 - 120 sec
- ➔ Pump Timer : 7 days schedule, 2 cycles per day, speed adjustable
- ➔ Max Working Pressure : 250KPA
- ➔ Power Voltage Input : 220V @ 50Hz
- ➔ IP Rating : 65

#### Dimensions



Code	Description	Conn. Size
2030848	Atecpool Smart Selector Valve Side Mounted	1 1/2"
2030849	Atecpool Smart Selector Valve Top Mounted	1 1/2"
2030840	Atecpool Smart Selector Valve Side Mounted	2"
2030847	Atecpool Smart Selector Valve Top Mounted	2"
2030844	Atecpool Smart Selector Valve Side Mounted	2 1/2"
2030846	Atecpool Smart Selector Valve Top Mounted	2 1/2"

Easy and efficient

The easiest way to filter your swimming pool



# Atecpool Pipeless Filtration



INSPIRED  
ByWater

**ATECPOOL**  
BWT GROUP

# Atecpool Wall Mounted Filter

## PIPELESS

### Compak Kit WPCKIT25 - Wall Mounted Filter

The enclosure of the wall-mounted filter is made of ABS, anti-acid-fading and easy to clean, integrated filter installation without plant room, easy installation, convenient operation and excellent performance reducing construction costs. The filter is made according to international standards.

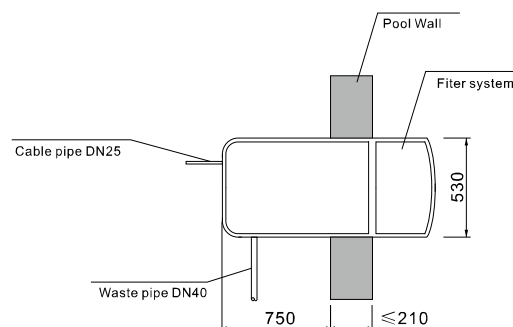
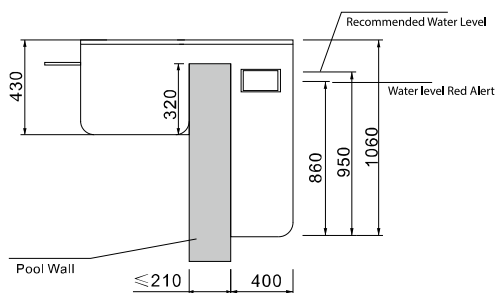
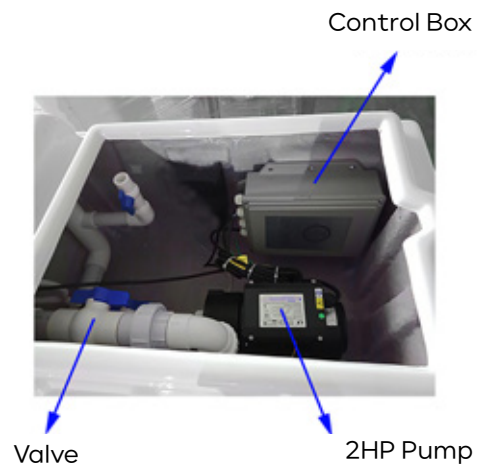
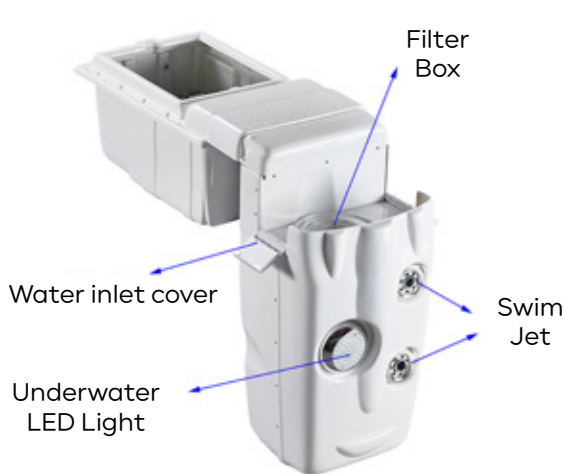
### Specifications

- Dimensions: 1450 x 530 x 1060 mm
- Flow Rate: 25 m<sup>3</sup>/h
- Voltage: 220~240V / 50 Hz or 60 Hz
- Precision of filtration bag: ≤ 5µm
- Operation noise: ≤ 50 dB
- Material: ABS
- Installation: Wall mounting

Code	Description
WPCKIT25	Compak Kit Wall Mounted Filter 25 m <sup>3</sup> /hr



Pools until 80 m<sup>3</sup> max.  
Length max.: 10 m



# Atecpool Filtration Housings

## HOUSINGS WITHOUT INNER ASSEMBLY

### Atecpool Filtration Housing - Compact Unit

Fully in-ground or semi in-ground model. Custom built filtration housing, body made of FRP. Complete with double sided wall joints and water drainage. Standard unit has the capacity for a filter upto size Ø700 mm, a pump, a booster pump and a submersible pump. A 4kg Inline chlorine feeder can be optionally fitted in.



Custom built filtration housing, body made of FRP.

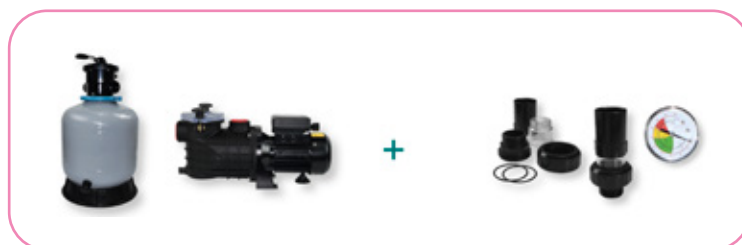


Fully plumbed plant room ready to install.

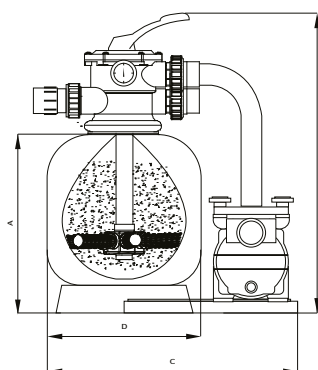
Code	Model	Description
81519	Caseta	Custom made FRP filtration housing

### Atecpool Filtration Kit

Monobloc filtration groups for small and domestic swimming pools. Set of Bobbin-wound filter, 6 ways selector valve, pump, other components: baseplate, flexible PVC hose, union sleeves, manometer.



Filtration Kit



Code	Filter	Pump	A	C	D	H	Connections	Sand
	mm		mm				mm	kg
6991400	Ø410	micro 0.33HP	515	750	410	770	1½" - 50	34
6991410	Ø410	micro 0.5HP	575	790	450	770	1½" - 50	34

# Atecpool Filtration Trolley Kit

## PORTABLE FILTRATION

### Atecpool Portable Filtration Kit

- Fast and easy set-up, ready to install.
- Specially sized sand filter with self-priming pump.
- Large pump strainer basket to extend service periods.
- Union connections for quick installation and servicing.
- Control Panel for pump, Electrical Cable 15m, Vacuum Hose 15m length included.
- Extra length hose upon request.



Code	Diameter Ø	Max. Flow	Valve Connection	Power			
	mm			m <sup>3</sup> /h	inch	HP	kW
<b>06990450</b>	450	7	1 1/2"	0.5	0.37	16	230 - 400V
<b>06990510</b>	510	10	1 1/2"	0.75	0.55	20	230 - 400V
<b>06990610</b>	610	14	1 1/2"	1	0.75	25	230 - 400V

### Atecpool Portable Filtration Cartridge Kit

- Fast and easy set-up, ready to install
- Specially sized Cartridge Filter with self-priming pump
- Large pump strainer basket to extend service periods
- Union connections for quick installation and servicing
- Control Panel for pump, Electrical Cable 15m, Vacuum Hose 15m length included



Code	Filtration area	Max. Flow	Valve Connection	Power			
	m <sup>2</sup>			m <sup>3</sup> /h	inch	HP	kW
<b>00595005</b>	2,3	5,5	1 1/2"	0,5	0,37	16	230 - 400V
<b>00597507</b>	4,7	11,4	1 1/2"	0,75	0,55	20	230 - 400V
<b>06997510</b>	7	17,0	1 1/2"	1	0,75	25	230 - 400V
<b>06997610</b>	9,4	22,9	2"	1,5	1	30	230 - 400V



# Atecpool Virgin Glass Media



## Hi-Tech Glass Filter Media

Nature Works® is the latest generation filter media based on virgin recycled glass, designed exclusively for water filtration. Just by changing your current filter media to Nature Works® you will maximize every standard filter's performance. The efficiency of Nature Works® is based on the elimination of the most common particles you can find in a swimming pool that make the water go misty.

# Atecpool Filter Media

## VIRGIN GLASS FILTER MEDIA



### Nature Works® - High Calibration Filtration Media

Nature Works® is the latest generation filter media based on virgin recycled glass, designed exclusively for water filtration. Just by changing your current filter media to Nature Works® you will maximize every standard filter's performance.

The efficiency of Nature Works® is based on the elimination of the most common particles you can find in a swimming pool that make the water go misty. This simultaneously maximizes savings and efficiency. It is achieved through a highly selected grain size distribution and an advanced surface treatment technology, which prevents biofilm formation, keeps microchannels open, and ensures that captured particles remain safe to handle

Code	Nature Works® Stage 0	Nature Works® Stage 1
<b>Description</b>	Technical glass high-calibrated for water treatment	Technical glass high-calibrated for the filtration of the swimming pool water and for water treatment
<b>Composition</b>	SiO <sub>2</sub> (74%), Na <sub>2</sub> O(11%), CaO(10%)	SiO <sub>2</sub> (74%); Na <sub>2</sub> O (11%); CaO (10%) / Purity Level: at least 99,999%, (below detection limit)
<b>Colour</b>	Transparent (Made exclusively from recycled flat glass)	
<b>Particle Density</b>	2,490 kg/m <sup>3</sup>	
<b>Bulk Density</b>	1,335 kg/m <sup>3</sup>	
<b>Granulometry</b>	1,5 - 2,5 mm	0,6 - 0,8 mm
<b>Packing</b>	20 kg, recyclable paper bag UV-resistant / 1000 kg Bulk Bag	
<b>Filter Filling</b>	20% of Nature Works® Stage 0 - as bottom layer 80% of Nature Works® Stage 1 - as top layer	



### Nature Works® - NW40 Green Glass Media Media

Nature Works® NW40 is a family of filter media based on recycled glass that has been developed exclusively for liquid filtration. Among other features, it has been purified through the most advanced ecological process and is packaged in HQ recyclable bags. Each type of industrial filtration has different typical suspended matter with different size ranges, therefore each "stage type" of Nature Works® NW40 is focused on retaining different size ranges, simultaneously optimising savings, efficiency and maximizing utility. The target size ranges are enforced using the High Calibration Technology, which allows to control the size and proportion of the micro channels formed in the filter mass to create different "stage type" settings.

Code	NW40 Stage 0	NW40 Stage 1
<b>Description</b>	High-Calibration glass media for water filtration,	
<b>Composition</b>	SiO <sub>2</sub> (74%), Na <sub>2</sub> O(13%), CaO(10,5%), Al <sub>2</sub> O <sub>3</sub> (1,3%), K <sub>2</sub> O(0,3%), SO <sub>3</sub> (0,2%), MgO(0,2%), Fe <sub>2</sub> O <sub>3</sub> (0,04%), TiO <sub>2</sub> (0,01%)	
<b>Colour</b>	Multicoloured Glass	
<b>Particle Density</b>	2,490 kg/m <sup>3</sup>	
<b>Bulk Density</b>	1,290 kg/m <sup>3</sup>	1,335 kg/m <sup>3</sup>
<b>Granulometry</b>	1,5 - 2,5 mm	0,6 - 1,2 mm
<b>Packing</b>	20 kg, recyclable paper bag UV-resistant / 1000 kg Bulk Bag	
<b>Installation</b>	20% of NW40 Stage 0 - as bottom layer 80% of NW40 Stage 1 - as top layer	

# Atecpool Filtration Media

## AFM<sup>®</sup>NG, SAND AND GRAVEL



### Atecpool AFM<sup>®</sup>ng

Atecpool AFM<sup>®</sup>ng is a unique bio resistant filter media. AFM<sup>®</sup> is the most effective filter media, AFM<sup>®</sup> ng 1 achieved 94.6 % at 1 micron at 20 m/hr (8 gpm/ft<sup>2</sup>).

The data also confirms AFM<sup>®</sup>ng 1 removed 99.6% of all particles down to 5 microns, and the equivalent grade of sand only achieved 72.97%.

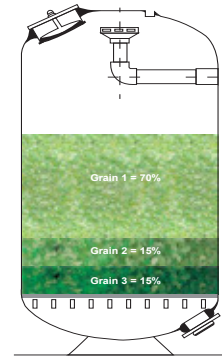
The surface area is 300 times larger than the surface area of sand or other glass filter media. The surface area is important for all adsorptive and catalytic reactions. In contact with the water free radicals (OH-radicals) are formed, which protect the surface from bio-fouling.

AFM<sup>®</sup>ng: Filters 95% of all particles down to 1 micron.

AFM<sup>®</sup>: Filters 95% of all particles down to 4 microns.

Sand: Filters 95% of all particles down to 20 microns.

Glass and sand: Filters 95% of all particles >25 microns.



### Filter filling:

50 % AFMng 1

25 % AFMng 2 as supporting layer

25 % AFM 3 as supporting layer

For smaller filters (<1000 mm diameter) and for all filters with nozzle plate irrespective of filter diameter, use 50 % of AFM<sup>®</sup>ng 1 and 50 % of AFM<sup>®</sup>ng 2. AFM<sup>®</sup>ng 3 is for larger diameter filters to ensure adequate filtration.



Code	Granulometry	Units	Weight	Volume package
	mm	qty	kg	m <sup>3</sup>
<b>AFM<sup>®</sup>ng1</b>	0,4 - 0,8	1	25	667
<b>AFM<sup>®</sup>ng2</b>	0,7 - 2,0	1	25	667
<b>AFM<sup>®</sup>3</b>	2,0 - 4,0	1	25	667

### Filtration Media Silica Sand

25 kg bag

Code	Granulometry	Units	Weight	Volume package
	mm	qty	kg	m <sup>3</sup>
<b>1000001-25</b>	0,4 - 0,8	1	25	0,4



### Gravel

25 kg bag

Code	Granulometry	Units	Weight	Volume package
	mm	qty	kg	m <sup>3</sup>
<b>1000002-25</b>	1,0-2,0	1	25	0,4
<b>1000003-25</b>	3,0-5,0	1	25	0,4



# Atecpool Filtration Media

## PERLITE AND BIOLOGICAL MEDIA



### Atecpool Perlite Media for Regenerative filters

- Natural and Non-toxic.
- High Filtration Efficiency: Perlite forms a porous, permeable, and rigid lattice structure that effectively traps solid particles while allowing for fast flow rates and brilliant clarity.
- Wide Permeability Range: Perlite offers a wide range of permeability, making it suitable for different filtration needs.
- Minimal Cake Cracking: The filter cake formed by perlite is less prone to cracking, which helps maintain consistent filtration performance. Minimum median size  $\geq 40$  micron.
- Sterile and Inert Nature: Perlite is sterile and inert, ensuring that it does not react with the filtered water or introduce any contaminants.
- Compliance with Regulations: Perlite filter aids to adhere the US Food Codex and relevant EU regulations, making them suitable for use in various applications.



Code	Description	Weight
		kg
81210	Perlite filtration media 12kg bag	12kg/bag

### Atecpool Biological Media

Our advanced systems incorporate highly efficient biological media, available in a range of configurations to precisely meet the specific needs of each application. Biological media is anything inert that provides housing for beneficial bacteria.

#### Cylinder Biological Media

Cylinder Biological Media provides an ideal growth environment for biological filtration. With its rough surface, it ensures fast biomass accumulation and is suitable for aquarium, aquaculture, wastewater treatment, and aerobic and anaerobic submerged filters.

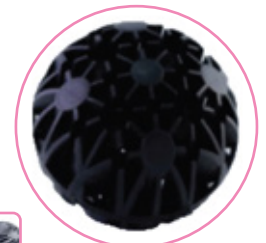


Code	Specific Surface Area	Diameter	Dimension	Average Hollow Space
	$m^2/m^3$	$\varnothing$ mm	cm	
86250	250	41,7	50x50x50	70%
86220	220	50	50x50x50	78%



#### Bio-ball Biological Media

The Bio-ball Biological Media is light and durable, easy to clean and reduces channeling. Each ball is 60mm in diameter and has nearly 25 square inches of surface area for bacterial colonization.

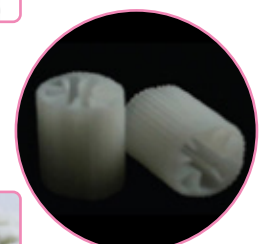


Code	Specific Surface Area	Diameter
	$m^2/m^3$	mm
86190	190	60



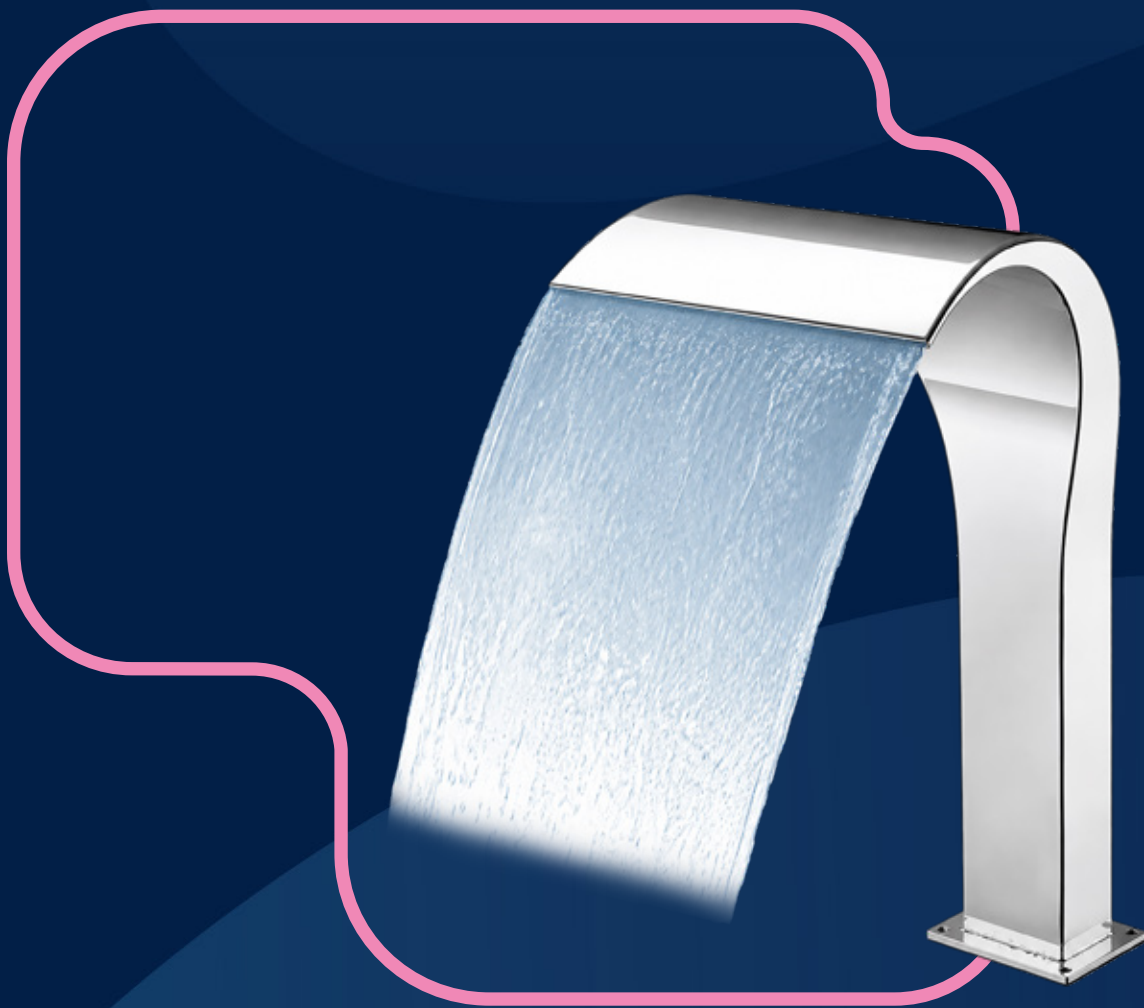
#### Bio-ring Biological Media

This Polypropylene Media comprises small plastic rings with a very large surface area up to  $1776m^2/m^3$ . With its light weight, it allows easy circulation which is suitable for moving bed filtration.



Code	Specific Surface Area	Diameter
	$m^2/m^3$	$\varnothing$ mm
86770	1776	6,8x8 (length)



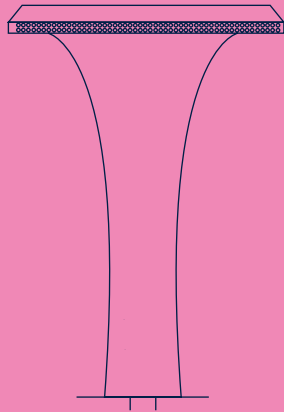


INSPIRED  
ByWater

[atecpool.com](http://atecpool.com)



# Pool Surround

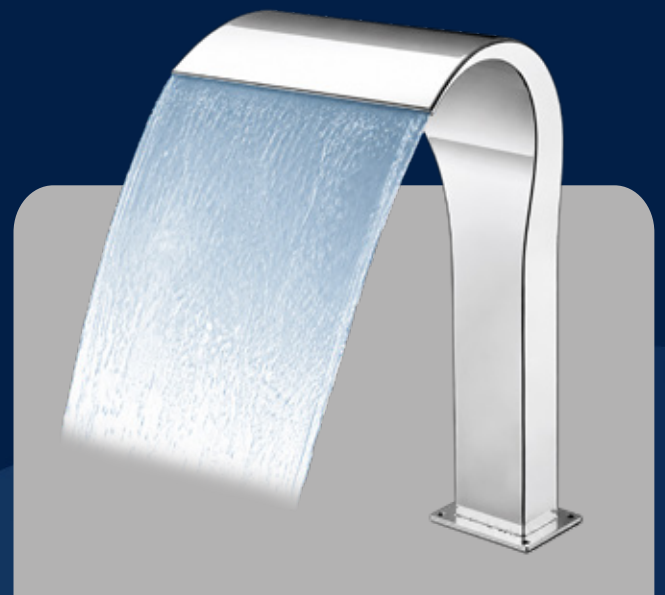


[atecpool.com](http://atecpool.com)

INSPIRED  
ByWater

**ATECPOOL**

BWT GROUP



# Atecpool Pool Surround

**ATECPPOOL** poolside equipment in high quality grade stainless steel provides durability with best aesthetic appearance. Wide range selection of poolside equipment that will suit your custom requirements. Designed and built to enjoy a secure pool environment with maximum relaxation.

Special stainless steel ornamental pool features designed and engineered by **ATECPPOOL** with excellence and high precision.



ecofriendly

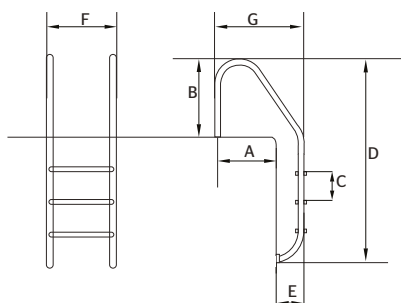
**Atecpool Green Revolution**  
Working towards the green change



# Pool Access Ladders

## Standard Ladder

Atecpool ladders for residential and commercial swimming pools, made of polished stainless steel (AISI 316 or AISI 304). Handrails in polished stainless steel (Ø42mm) tube. Steps in stainless steel with anti-slip. Complete with anchors and earthing accessories. SS316L available upon request.



Steps	A	B	C	D	E	F	G
	mm	mm	mm	mm	mm	mm	mm
2	410	620	250	1300	180	500	610
3	410	620	250	1550	180	500	610
4	410	620	250	1800	180	500	610
5	410	620	250	2050	180	500	610

### Deluxe S.S. 316



### Deluxe S.S. 304

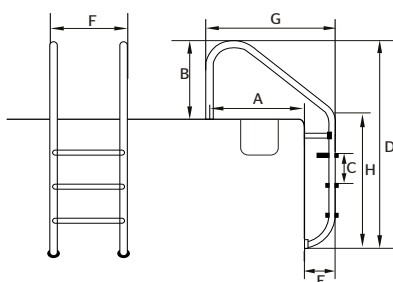


	Code	Weight	Volume
	AISI 316	(kg)	m <sup>3</sup>
2 steps standard	13003215-5	10,0	0,07
3 steps standard	13003215-6	11,8	0,08
4 steps standard	13003215-7	13,2	0,08
5 steps standard	13003215-8	14,0	0,10

	Code	Weight	Volume
	AISI 304	(kg)	m <sup>3</sup>
2 steps standard	13003215-1	10,0	0,07
3 steps standard	13003215-2	11,8	0,08
4 steps standard	13003215-3	13,2	0,08
5 steps standard	13003215-4	14,0	0,10

## Overflow Ladder

Overflow Ladder with 957mm extended fixing. Made of polished stainless steel (AISI 304 or AISI 316). Handrails in polished stainless steel (Ø42mm) tube and steps are in stainless steel with anti-slip. Complete with anchors and earthing accessories. SS316L available upon request.



Steps	A	B	C	D	E	F	G	H
	mm	mm	mm	mm	mm	mm	mm	mm
2	774	620	250	1335	200	500	957	715
3	774	620	250	1585	200	500	957	965
4	774	620	250	1835	200	500	957	1215
5	774	620	250	2085	200	500	957	1465

### Deluxe S.S. 316



### Deluxe S.S. 304



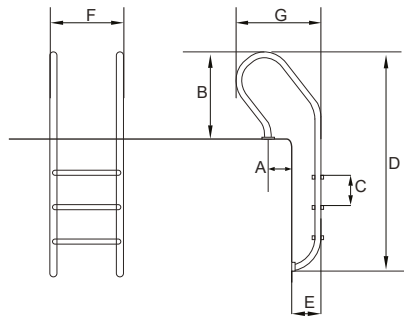
	Code	Weight	Volume
	AISI 316	kg	m <sup>3</sup>
2 steps overflow	13003215-13	10,0	0,07
3 steps overflow	13003215-14	12,0	0,08
4 steps overflow	13003215-15	14,0	0,08
5 steps overflow	13003215-16	15,0	0,10

	Code	Weight	Volume
	AISI 304	kg	m <sup>3</sup>
2 steps overflow	13003215-9	10,0	0,07
3 steps overflow	13003215-10	12,0	0,08
4 steps overflow	13003215-11	14,0	0,08
5 steps overflow	13003215-12	15,0	0,10

# Pool Access Ladders

## Mixed Ladder

Atecpool Mixed Ladders made of polished stainless steel (AISI 304 or AISI 316), designed for embedded pools. Steps in stainless steel with anti-slip and handrails in polished stainless steel (Ø42mm tube). Complete with anchors and earthing accessories. SS316L available upon request.



Steps	A	B	C	D	E	F	G
	mm	mm	mm	mm	mm	mm	mm
2	120	620	250	1300	180	500	610
3	120	620	250	1550	180	500	610
4	120	620	250	1800	180	500	610
5	120	620	250	2050	180	500	610

### Deluxe S.S. 316



	Code	Weight	Volume
	AISI 316	kg	m³
2 steps mixed	13003215-21	10,0	0,07
3 steps mixed	13003215-22	11,8	0,08
4 steps mixed	13003215-23	13,2	0,08
5 steps mixed	13003215-24	14,0	0,10

### Deluxe S.S. 304



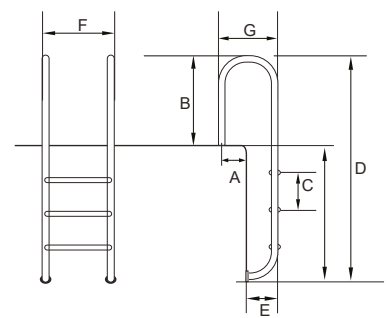
	Code	Weight	Volume
	AISI 304	kg	m³
2 steps mixed	13003215-17	10,0	0,07
3 steps mixed	13003215-18	11,8	0,08
4 steps mixed	13003215-19	13,2	0,08
5 steps mixed	13003215-20	14,0	0,10

## Muro Ladder

Atecpool Muro Ladders made of polished stainless steel (AISI 304 or AISI 316), designed for embedded pools. Steps in stainless steel with anti-slip. Handrails in polished stainless steel (Ø42mm tube). Complete with anchors and earthing accessories. SS316L available upon request.



Steps	A	B	C	D	E	F	G
	mm	mm	mm	mm	mm	mm	mm
2	160	620	250	1300	180	500	360
3	160	620	250	1580	180	500	360
4	160	620	250	1830	180	500	360
5	160	620	250	2080	180	500	360



### Deluxe S.S. 316



	Code	Weight	Volume
	AISI 316	kg	m³
2 steps muro	13001200	10,0	0,07
3 steps muro	13001300	11,8	0,08
4 steps muro	13001400	13,2	0,08
5 steps muro	13001500	14,0	0,10

### Deluxe S.S. 304



	Code	Weight	Volume
	AISI 304	kg	m³
2 steps muro	13001200-1	10,0	0,07
3 steps muro	13001300-1	11,8	0,08
4 steps muro	13001400-1	13,2	0,08
5 steps muro	13001500-1	14,0	0,10

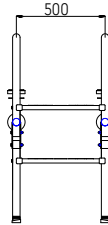
# Pool Access Ladders

## Foldable Ladder

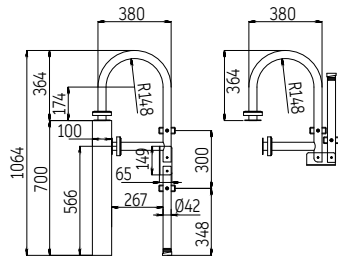
Atecpool Foldable Ladders made of polished stainless steel AISI 316, designed for balcony pools and embedded pools. Steps in stainless steel with anti-slip security and handrails in polished stainless steel (Ø42mm tube). Complete with anchors and earthing accessories. SS316L available upon request.



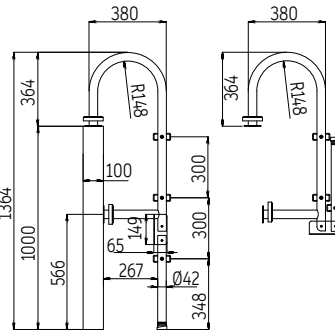
### Deluxe S.S. 316



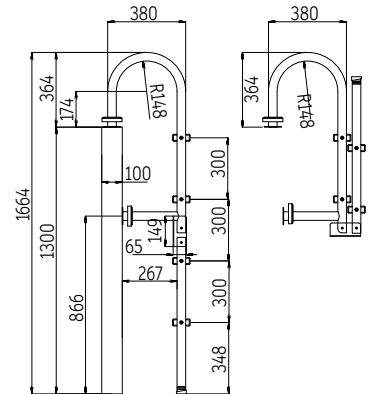
	Code	Weight	Volume
	AISI 316	kg	m³
<b>2 steps foldable</b>	13006200	15	0,07
<b>3 steps foldable</b>	13006300	16	0,08
<b>4 steps foldable</b>	13006400	17	0,08



Two Step Ladder



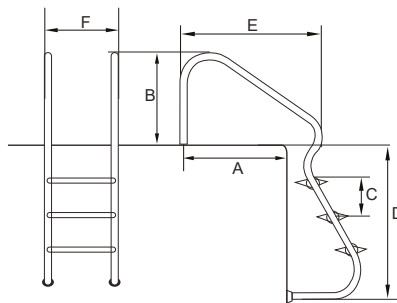
Three Step Ladder



Four Step Ladder

## Easy Access Ladder

Atecpool Easy access ladders made of AISI 316 and are designed with double safety steps and increased height. Steps in stainless steel with anti-slip. Handrails in polished stainless steel (Ø42mm tube). Complete with anchors and earthing accessories. SS316L available upon request.



Steps	A	B	C	D	E	F
	mm	mm	mm	mm	mm	mm
<b>2</b>	490	620	250	1550	852	500
<b>3</b>	490	620	250	1700	852	500
<b>4</b>	490	620	250	1950	852	500

### Deluxe S.S. 316 - Double safety

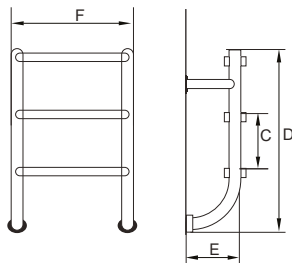


	Code	Weight	Volume
	AISI 316	kg	m³
<b>2 steps easy access</b>	13003200	15	0,07
<b>3 steps easy access</b>	13003300	16	0,08
<b>4 steps easy access</b>	13003400	17	0,08

# Pool Access Ladders

## Split Ladder - Bottom half

Rails and steps made of polished stainless steel (AISI 316). Steps in stainless steel with anti-slip. Complete with anchors and earthing accessories. Compatible with any exit rails. SS316L available upon request.



Deluxe S.S. 316

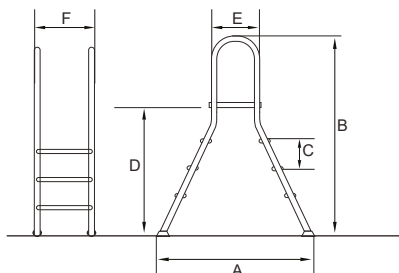


Steps	C	D	E	F
	mm	mm	mm	mm
2	250	500	180	500
3	250	750	180	500
4	250	1000	180	500
5	250	1250	180	500

	Code	Weight	Volume
	AISI 316	kg	m³
2 steps split	13001215	14,5	0,07
3 steps split	13001315	15,5	0,08
4 steps split	13001415	16,5	0,08
5 steps split	13001515	17,5	0,10

## Above Ground Ladder with platform

Handrails and steps, made of polished AISI 316 stainless steel with a platform in plastic. Handrails in polished stainless steel (Ø42mm tube). Complete with anchors and earthing accessories. SS316L available upon request.

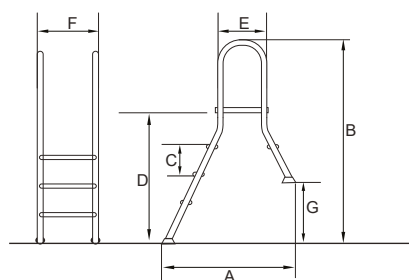


Steps	A	B	C	D	E	F
	mm	mm	mm	mm	mm	mm
4+4	1360	1920	250	1270	375	500
5+5	1570	2160	250	1600	375	500

	Pool Height	Code	Weight	Volume
		AISI 316	19,0	m³
3+3 above ground	1m: (3+3) Steps + platform	13004300	21,0	0,07
4+4 above ground	1,25m: (4+4) Steps + platform	13004400	23,0	0,08
5+5 above ground	1,50m: (5+5) Steps + platform	13004500	16,5	0,08

## Partially in Ground Ladder with platform

Handrails made of polished AISI 316 stainless steel with platform and steps in plastic. Handrails in polished stainless steel (Ø42mm tube). Complete with anchors and earthing accessories. SS316L available upon request.



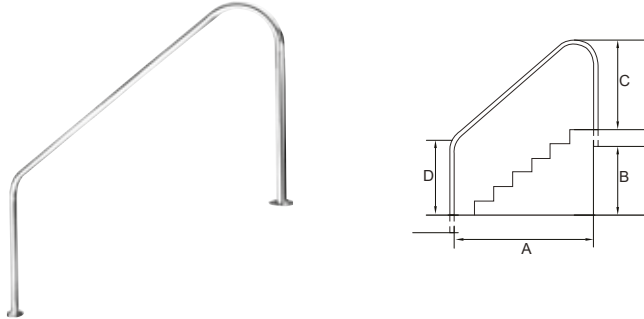
Steps	A	B	C	D	E	F
	mm	mm	mm	mm	mm	mm
3+1	920	1680	250	1030	375	500
4+1	1025	1920	250	1270	375	500
5+1	1130	2160	250	1600	375	500

	Code	Weight	Volume
	AISI 316	kg	m³
4+1 partially in ground	13004415/1	21,0	0,08
5+1 partially in ground	13004515/1	23,0	0,08

# Pool Exit Grab Rails

## Exit Grab Rails Two Bends With Flange

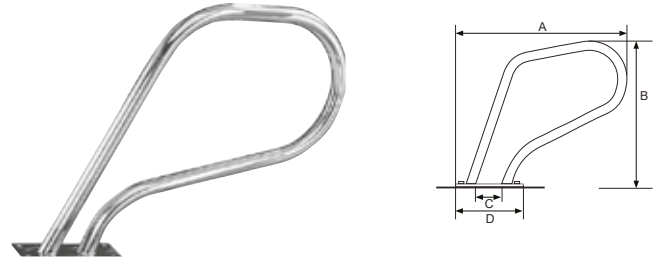
Polished AISI 316 Ø42 mm pipe with two bends for installing in and out of water. Supplied with welded flanges for repair. SS316L available upon request.



Code	Length	Steps	Volume	Weight	A	B	C	D
AISI 316	m		m³	kg	mm	mm	mm	mm
<b>13026006</b>	1,2	3	0,14	4,0	1200	660	817	752
<b>13026006-1</b>	1,5	4	0,16	4,5	1500	825	817	752
<b>13026006-2</b>	1,8	5	0,25	4,9	1800	990	817	752

## Spa Exit Grab Rail With Flange

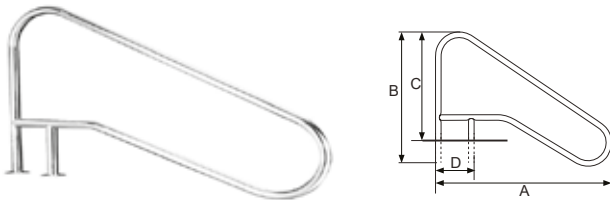
Polished AISI 316 Ø42 mm pipe bend for SPA exit access. Supplied with welded flange for fixing outside the water. SS316L available upon request.



Code	Volume	Weight	A	B	C	D
AISI 316	m³	kg	mm	mm	mm	mm
<b>13026012</b>	0,043	4,0	809	567	254	160

## Pool Exit Grab Rail With flange

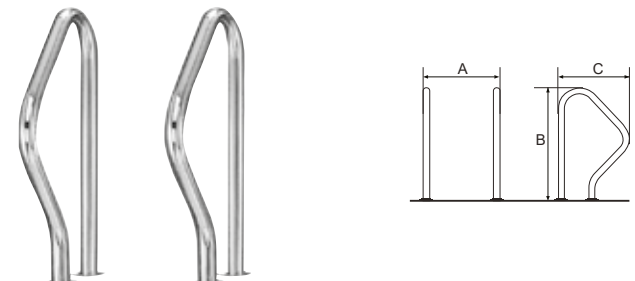
Polished AISI 316 Ø42 mm pipe bend for pool exit access. Supplied with welded flange for fixing outside the water. 1.35 m length extended for pool exit access and fixing out of the water. SS316L available upon request.



Code	Volume	Weight	A	B	C	D
AISI 316	m³	kg	mm	mm	mm	mm
<b>13026008</b>	0,05	5,1	1350	897	817	203

## Two Piece Grab Rail with Flange

Polished AISI 316 Ø42 mm pipe, two piece pool exit grab rail supplied as a pair with welded flanges for fixing. Used as upper half for split ladders. SS316L available upon request.



Code	Volume	Weight	A	B	C
AISI 316	m³	kg	mm	mm	mm
<b>13026011</b>	0,08	7,0	533	800	260

## Two Piece Grab Rail Asymmetrical

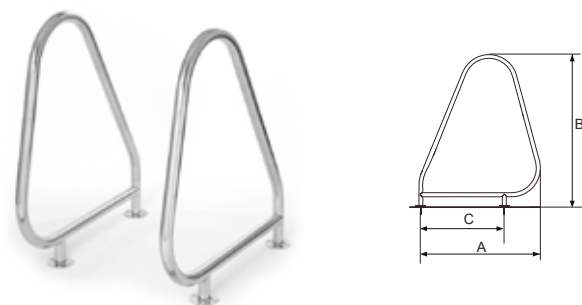
Polished AISI 316 Ø42 mm pipe bend for pool exit access. Supplied as pair. Asymmetrical model with welded flanges. SS316L available upon request.



Code	Volume	Weight	A	B	C	D
AISI 316	m³	kg	mm	mm	mm	mm
<b>13026014</b>	0,138	7,0	810	1053	560	758

## Two Piece Grab Rail Parallel

Polished AISI 316 Ø42 mm pipe bend for pool exit access. Supplied as a pair. Parallel model with welded flanges. SS316L available upon request.



Code	Volume	Weight	A	B	C
AISI 316	m³	kg	mm	mm	mm
<b>13026009</b>	0,138	7,0	820	984	560

# Pool Access Ladders

## ACCESSORIES

**SS316L**

AVAILABLE  
UPON REQUEST

### Anchor Socket

Made of plastic suitable for Ø42 mm pipe.



Code	Material	Size	Dimensions	Weight	Unit
		mm	cm	kg	
<b>9900100006</b>	ABS	Ø42	18x9x7	0,25	2

### Deluxe Anti-Slip Step AISI 304 and AISI 316



9900100002 / 9900100002-1



9900100003 / 9900100004

Code	Material	Size	Volume	Weight	Unit
		mm	m³	kg	
<b>9900100002-1</b>	AISI 304	500x86x35	0,0015	0,6	1
<b>9900100002</b>	AISI 316	500x86x35	0,0015	0,6	1
<b>9900100003</b>	AISI 304	500x160x35	0,0028	1,1	1
<b>9900100004</b>	AISI 316	500x160x35	0,0028	1,1	1

### Articulated Anchor with Flange

Made of polished stainless steel AISI 316 for Ø42 mm pipe. Supplied with base plate for fixing.



Code	Material	Size	Dimensions	Weight	Unit
		mm	cm	kg	
<b>9900100008</b>	AISI 316	Ø42	18x16x9	1,01	1

### Anchor with Flange

Made of polished stainless steel AISI 316 for Ø42 mm pipe. Includes gaskets, screws and plugs.



Code	Material	Size	Dimensions	Weight	Unit
		mm	cm	kg	
<b>9900100007</b>	AISI 316	Ø42	15x15x10	0,752	2

### Rubber Bumper

Made of poly rubber for the stainless steel tube ends, and fixing against pool wall.



Code	Size	Unit
	mm	
<b>99001000010</b>	Ø65 / Ø42	30

### Articulated Anchor

Made of polished stainless steel AISI 316 for Ø42 mm pipe. Without base plate.



Code	Material	Size	Dimensions	Weight	Unit
		mm	cm	kg	
<b>9900100009</b>	AISI 316	Ø42	18x16x9	1,224	2

# Pool Handrails

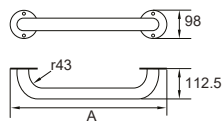
## POOL SURROUND

**SS316L**

AVAILABLE  
UPON REQUEST

### Handrails

Stainless steel AISI 316 Ø42 mm pipes. Length range from 0.5 m to 3 m, supplied with welded flange for fixing.



Code	Length (A)	Volume	Weight
AISI 316	mm	m <sup>3</sup>	Kg
<b>13026001</b>	500	0,009	1,5
<b>13026002</b>	1000	0,016	2,2
<b>13026003</b>	1500	0,023	2,8
<b>13026004</b>	2000	0,030	3,4
<b>13026005</b>	3000	0,044	4,8

### Straight Handrail Tube

Made of AISI 316 stainless steel Ø42 mm pipes. Length range from 1 m to 3 m with open ends.



Code	Length	Volume	Weight
	mm	m <sup>3</sup>	Kg
<b>13026019</b>	1000	0,001764	1,17
<b>13026020</b>	2000	0,00353	2,34
<b>13026021</b>	3000	0,0053	3,51

### Handrail Tube connector straight

AISI 316 stainless steel for joining Ø42 mm pipes.

Code	Size	Volume	Weight
	mm	m <sup>3</sup>	Kg
<b>13026022</b>	Ø42	0,000353	0,16



### Handrail Tube connector bend

AISI 316 stainless steel for joining Ø42 mm pipes.

Code	Size	Volume	Weight
	mm	m <sup>3</sup>	Kg
<b>13026023</b>	Ø42	0,00284	0,5



### Handrail Brackets with base plate

AISI 316 stainless steel brackets for Ø42 mm handrails. Straight bracket with base plate.



Code	Size	Volume	Weight
	mm	m <sup>3</sup>	Kg
<b>13026025</b>	Ø42	0,0005	0,18

### Bracket closed at one end

AISI 316 stainless steel closed brackets for Ø42 mm handrails.



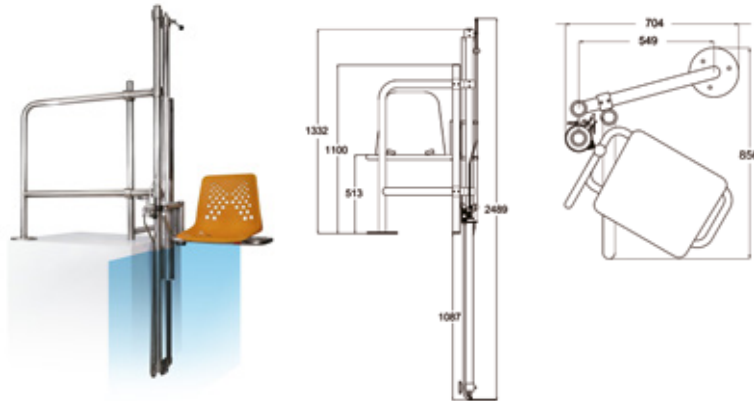
Code	Size	Volume	Weight
	mm	m <sup>3</sup>	Kg
<b>13026026</b>	Ø42	0,0005	0,20

# Pool Lifts

## HYDRAULIC AND BATTERY OPERATED LIFT

### Hydraulic Pool Lift

Composed of a tubular structure in stainless steel (AISI 316) anchored to the ground by three metallic anchors that hold it and three points of support, two located on the outside of the pool and a third located in the lower part of the elevator that is supported on the wall of the pool. Two control options available for actuation. One located at the top of the guide axis that allows the user to operate it from outside of the water and other in the fastening axis, which allows the user to actuate from inside the pool. Hydraulic lift designed to adapt itself to the majority of the collective swimming pools on the market. Simple fixture (anchors screwed on the pavement and points of support).



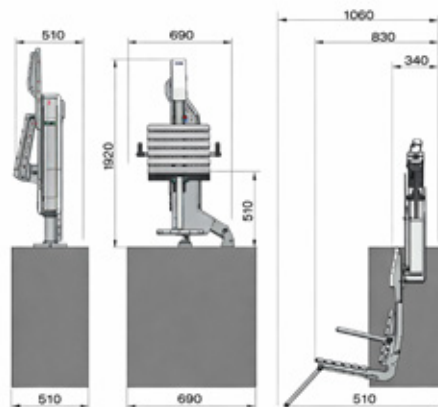
### Specifications

- Maximum lifting capacity: 120 kg
- Rotation angle: 150°
- Structure and piston: AISI 316L
- Tubular structure: Ø48.3 x 2 mm
- Water pressure: > 3 bar
- Seat: Synthetic material suitable for outdoors

Code	Description	Volume	Weight
		m <sup>3</sup>	kg
11000500	Hydraulic lift	0,659	40,5

### Mightycore 500 Battery Operated Pool Lift

The ease of installation, the reduced overall dimensions, but at the same time the safety and the technical specifications of the material, make Atecpool Mightycore 500 battery operated pool lift the intelligent and responsible choice, given its attractive design, the lifts are installed at a spa, luxury hotels or public swimming pool, is an excellent solution for pool access in complete autonomy. In the tradition of Atecpool's swimming pool lifts, the battery lift is a medical device which complies with the current regulations, perfectly combining safety and practicality.



### Technical Features

- IPX06 mobile push-button panel with spiral cable
- Up-down controls on control box
- Headrest included
- Folding seat to reduce the overall dimensions of the lift
- Removable telescopic leg support
- Adjustable armrests
- 2-point ventral safety belt
- Emergency stop button
- Removable battery for charging
- External battery charger
- Average autonomy: 50 working cycles
- Galvanizing and 180°C powder coating treatment
- Stainless steel frame for in-water parts

### Technical Details

- Maximum capacity: 140 kg
- Maximum travel: 1340 mm
- Depth of seat inside the water: 830 mm
- Time of lowering - lifting with weight into water: 45 sec
- Weight of the lift: 60 kg
- Battery: 24 V

### Optional Accessories

- 4-point safety belt
- Protective cover

Code	Description	Weight
		kg
MTY500	Battery operated lift	80

# Life Saving

## ACCESSORIES

### Lifebuoy Holder Post

AISI 316 stainless steel base plate with 3 holes. Supplied with gaskets, anchor plugs and screws.



Code	Size	Weight	Volume
AISI 316	mm	kg	m <sup>3</sup>
<b>001994020</b>	Ø42	2,5	0,01

### Lifebuoy Ring

Made of styropor material, soft and covered with polyethylene canvas.



Code	Weight	Volume	Exterior	Interior
	kg	m <sup>3</sup>	Ø mm	Ø mm
<b>13013690</b>	2,0	0,06	700	460

### Lifebuoy Ring Holder

Made of SS316 for holding a lifebuoy ring, to be hung on the wall or on the post.



Code	Material	Weight	Volume
		kg	m <sup>3</sup>
<b>00194010-1</b>	SS316	0,4	0,09

### Lifebuoy Ring Holder

Designed to be hung on a wall or fitted on to a lifebuoy holder post.



Code	Material	Weight	Volume
		kg	m <sup>3</sup>
<b>00194010</b>	AISI 304	0,7	0,09

### Lifebuoy Hook

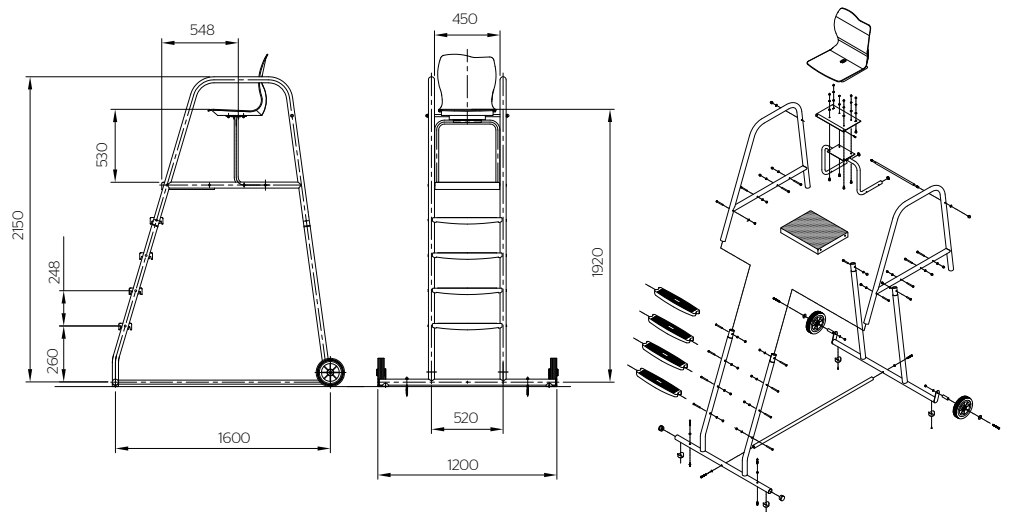
Stainless steel hanger with clip-type connection to telescopic poles.



Code	Material	Weight	Volume
		kg	m <sup>3</sup>
<b>00194011</b>	AISI 304	1,46	0,03

### Lifeguard Chair

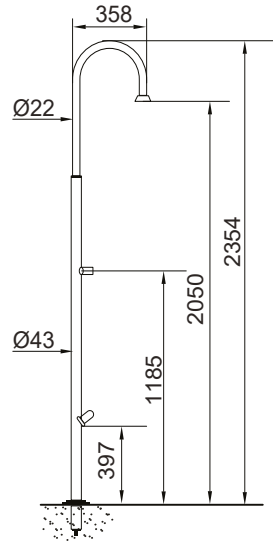
Made of stainless steel AISI 316, Ø43 mm pipe. Wheeled base with steps, platform and chair made of plastic. Lifeguard Chair equipped with wheel locking mechanism and umbrella slot as optional additions. AISI 304 is also available.



Code	Material	Weight
		kg
<b>13077010-1</b>	Atecpool Lifeguard Chair in AISI 316, wheel locking, umbrella provision	1,8
<b>13077010</b>	Atecpool Lifeguard Chair in AISI 304	1,8

# Atecpool Shower and Curtains

STAINLESS STEEL



## Standard Shower Single Head

Top shower with foot washer.

### Specifications

- Stainless steel tube AISI 304L Ø43 mm
- Shower taps: chrome-plated brass w/ trims
- Footwasher: taps chrome-plated brass

Code	Description	Weight	Volume
		kg	m <sup>3</sup>
00127040	Standard shower	5,1	0,04

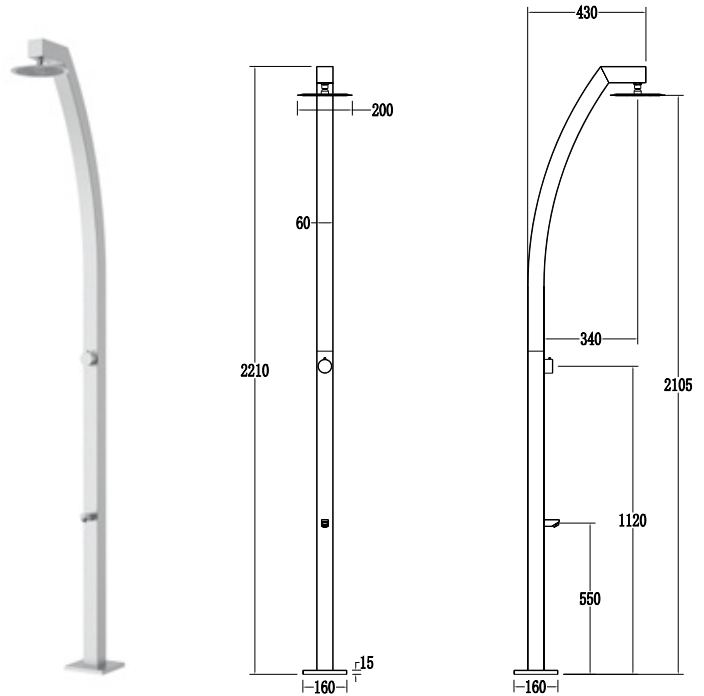
## Elegance shower

8" top shower and feet washer. Stainless steel brush finish.

### Specifications

- Shower head, shower body, handwheel, pedestal cover, faucet are made of stainless steel 316L.
- Inside parts are made of brass.

Code	Description	Weight	Volume
		kg	m <sup>3</sup>
00126050	Elegance shower	15,0	0,05



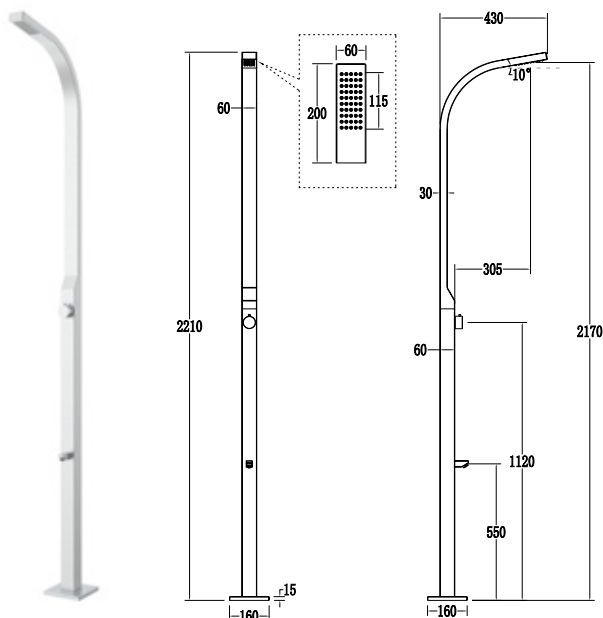
## Nexus Shower

Top shower and feet washer. Stainless steel brush finish.

### Specifications

- Shower head, shower body, handwheel, pedestal cover, faucet are made of stainless steel 316L.
- Inside parts are made of brass.

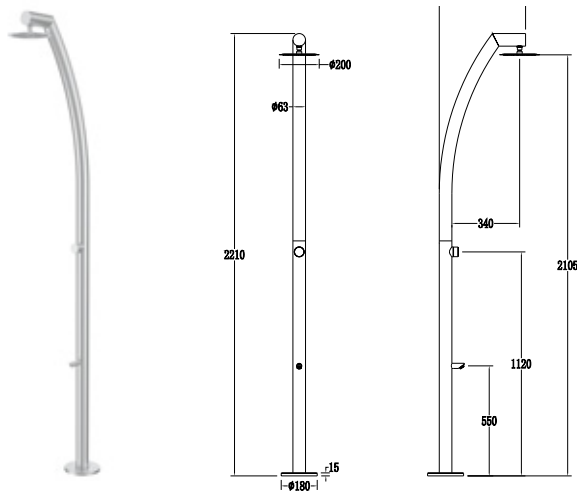
Code	Description	Weight	Volume
		kg	m <sup>3</sup>
00126046	Nexus shower	15,0	0,05



# Atecpool Shower and Curtains

## STAINLESS STEEL

### Saturn Shower

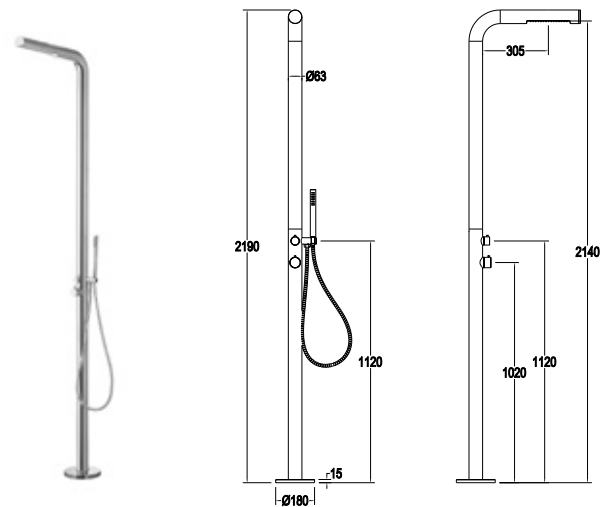


#### Specifications

- Shower head, shower body, handwheel, pedestal cover, faucet are made of stainless steel 316L.
- Inside parts are made of brass.
- Included with 8" top shower and feet washer.
- Surface: Brush finish.

Code	Description	Weight	Volume
		kg	m <sup>3</sup>
00126039	Saturn Shower	16	0,05

### Neptune Shower

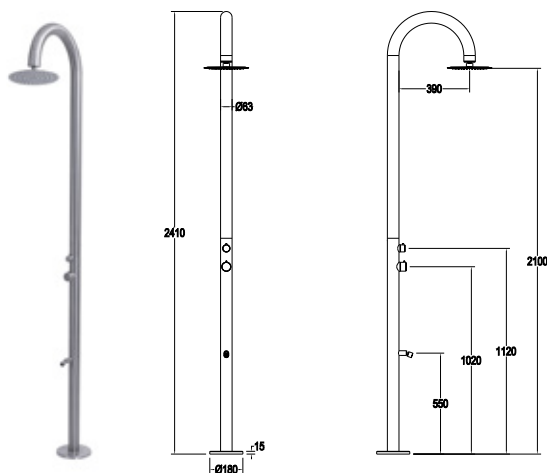


#### Specifications

- Shower head, shower body, handwheel, pedestal cover, faucet are made of stainless steel 316L.
- Inside parts are made of brass.
- Included with top shower and handy shower.
- Surface: Brush finish.

Code	Description	Weight	Volume
		kg	m <sup>3</sup>
00126047	Neptune Shower	16	0,05

### Vito Shower

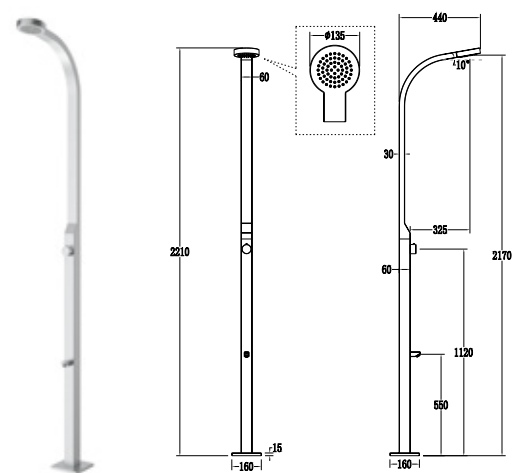


#### Specifications

- Shower head, shower body, handwheel, pedestal cover, faucet are made of stainless steel 316L.
- Inside parts are made of brass.
- Included with top shower and feet washer.
- Surface: Brush finish.

Code	Description	Weight	Volume
		kg	m <sup>3</sup>
00126049	Vito Shower	16	0,05

### Vice Shower



#### Specifications

- Shower head, shower body, handwheel, pedestal cover, faucet are made of stainless steel 316L.
- Inside parts are made of brass.
- Included with Ø135 top shower and feet washer.
- Surface: Brush finish.

Code	Description	Weight	Volume
		kg	m <sup>3</sup>
00126044	Vice Shower	15	0,05

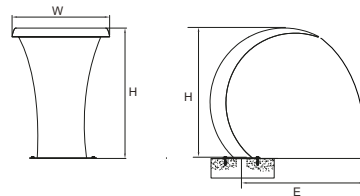
# Ornamental Water Features

## WATER CURTAINS

Special stainless steel ornamental pool features designed and engineered by Atecpool with excellence and high precision. Made of AISI 316 stainless steel for massage and relaxation with the best aesthetic looks. Available in matte or mirror polished finish. Selection of pump based on the flow mentioned. Anchor included.

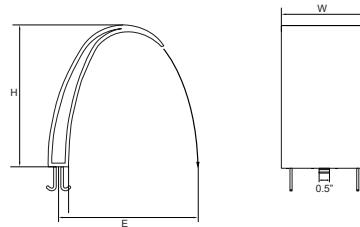
- Water curtain w/ 400mm width - connection size 1.5"
- Water curtain w/ 500/600mm width - connection size 2"

### Water Curtain Bali



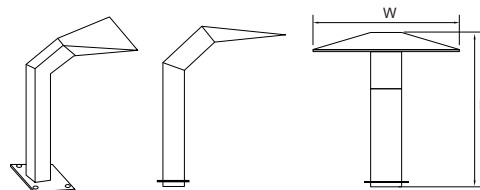
Code	Flow	Height	Width	Distance
AISI 316	m <sup>3</sup> /h	H (mm)	W (mm)	E (mm)
<b>0124040</b>	16	400	400	420
<b>0125050</b>	18	500	500	440
<b>0126060</b>	21	600	600	550
<b>0126070</b>	21	700	600	630
<b>0126080</b>	21	800	600	840
<b>0126090</b>	21	900	600	880
<b>01260100</b>	21	1000	600	910
<b>01260120</b>	21	1200	600	970
<b>01260140</b>	21	1400	600	1030

### Water Curtain Classy



Code	Flow	Height	Width	Distance
AISI 316	(m <sup>3</sup> /h)	H (mm)	W (mm)	E (mm)
<b>0176060</b>	21	600	600	560
<b>0176070</b>	21	700	600	680
<b>0176080</b>	21	800	600	840
<b>0176090</b>	21	900	600	990
<b>01760100</b>	21	1000	600	1210
<b>01760120</b>	21	1200	600	1400
<b>01760140</b>	21	1400	600	1580

### Water Curtain Straight



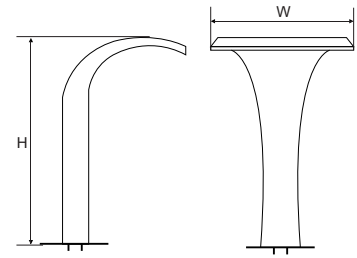
Code	Flow	Height	Width
AISI 316	(m <sup>3</sup> /h)	H (mm)	W (mm)
<b>0186060</b>	18	600	500
<b>0186070</b>	18	700	500
<b>0186080</b>	18	800	500
<b>0186090</b>	21	900	600
<b>01860100</b>	21	1000	600
<b>01860120</b>	21	1200	600

# Ornamental Water Features

## WATER CURTAINS

### Water Curtain Eco

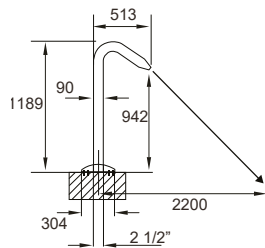
Made of AISI 316 stainless steel for massage and relaxation with the best aesthetic looks. Available in mat or mirror polished finish. Selection of pump based on the flow mentioned. Connection 2". Anchor Included.



Code	Flow	Height	Width
AISI 316	(m <sup>3</sup> /h)	H (mm)	W (mm)
<b>0136080</b>	21	800	600
<b>0136090</b>	21	900	600
<b>01360100</b>	21	1000	600
<b>01360120</b>	21	1200	600
<b>01360140</b>	21	1400	600

### Cannon Jet Capri

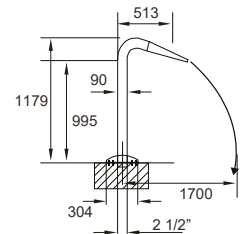
Made of AISI 316 stainless steel with circular nozzle-type mouth for maximum pressure. Anchor included.



Code	Flow	Weight	Volume
AISI 316	m <sup>3</sup> /h	kg	m <sup>3</sup>
<b>14200029</b>	20	0,8	0,005

### Cannon Jet Capri Flat

Made of AISI 316 stainless steel with flat mouth, anchor included.



Code	Flow	Weight	Volume
AISI 316	m <sup>3</sup> /h	kg	m <sup>3</sup>
<b>14200030</b>	22	0,8	0,005

### Anchor for Water Curtain

Made of AISI 316 stainless steel with two connections (1.5" and 2") for Water Curtains.



Code	Connection	Weight	Water Curtain Width
AISI 316	inch	kg	mm
<b>1420020-1</b>	1,5	4,25	400
<b>1420020-2</b>	2	4,75	500 / 600

### Circular Anchor

Circular Anchor in AISI 316 stainless steel. Female connection 2.5".



Code	Connection	Weight	Volume
AISI 316	inch	kg	m <sup>3</sup>
<b>14200028</b>	2,5	3,25	0,018

# Ornamental Water Feature

## LED WATERFALL

### LED Waterfall features

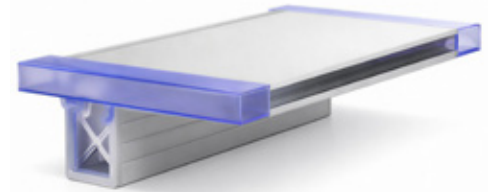
Atecpool waterfall collection is an elegant addition to your new or remodeled pool or spa. The LED Strip is built into the unit (instead of using external fiber optics), placing the light as close to the water as possible.

### Waterfall features

- Variety of LED light colors
- Length available from 12" to 96"
- Automatic timer shut-off
- Adjustable brightness
- Rear port inlet
- Heavy-duty PVC construction

### Technical Guide

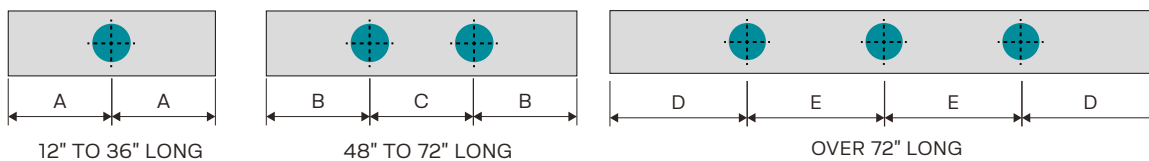
- 12 volt DC
- 1.5" spigot plumbing
- 1.25 GPM per inch recommended



### Technical Data

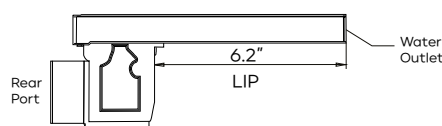
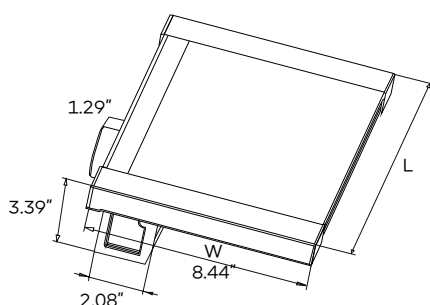
Model	Description	Width	Length	LED Strip length	Inlet port	Recommended Water flow
		W	L	mm		m <sup>3</sup> /h
4600-1206	12" LED Waterfall with 6" LIP	8,44"	15,98"	600	Rear	2,7
4600-1806	18" LED Waterfall with 6" LIP	8,44"	21,89"	750	Rear	4,0
4600-2406	24" LED Waterfall with 6" LIP	8,44"	27,8"	900	Rear	5,5
4600-3606	36" LED Waterfall with 6" LIP	8,44"	39,61"	1200	Rear	8,2
4600-4806	48" LED Waterfall with 6" LIP	8,44"	51,42"	1500	Rear	10,9
4600-6006	60" LED Waterfall with 6" LIP	8,44"	63,23"	1800	Rear	13,6
4600-7206	72" LED Waterfall with 6" LIP	8,44"	75,04"	2100	Rear	16,3
4600-8406	84" LED Waterfall with 6" LIP	8,44"	86,85"	2400	Rear	19
4600-9606	96" LED Waterfall with 6" LIP	8,44"	98,66"	2700	Rear	21,8

### Inlet Spacing Data

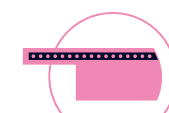


- 12" Waterfalls A=161.13mm
- 18" Waterfalls A=235.74mm
- 24" Waterfalls A=309.56mm
- 36" Waterfalls A= 460.38 mm
- 48" Waterfalls B=382.59 mm,C=468.31 mm
- 60" Waterfalls B=463.55 mm,C=592.93 mm
- 72" Waterfalls B=504.03 mm, C=811.21 mm
- 84" Waterfalls D=457.99 mm, E=600.08 mm
- 96" Waterfalls D=507.21 mm, E=700.09 mm

### Dimensions



### Every LED waterfall includes



1 Waterfall Unit



1 Rock Trap



100' of 12 Volt Cord



To be purchased separately

# Ornamental Water Feature

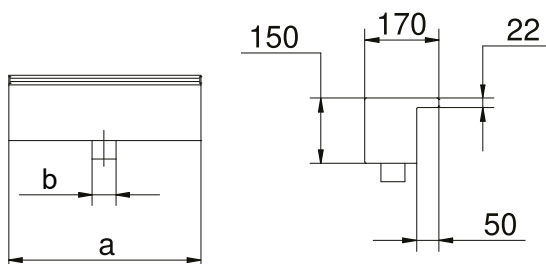
## STAINLESS STEEL WATERFALLS

### Stainless Steel Waterfalls

Stainless steel AISI 316 sheer descent creating stunning water blades. Can be installed indoor or outdoor. Stainless steel waterfalls are easy to install, durable and custom made. Either recessed into the wall or protruded outside. Stainless steel water blades creates water curtain effects, optional with brilliant LED colour changing.

### Waterfall AISI 316

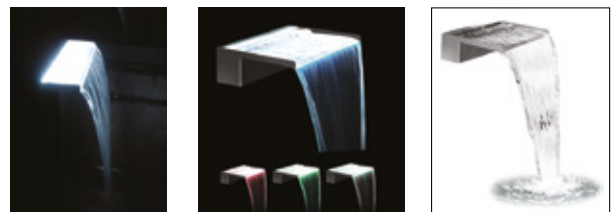
AISI 316 stainless steel. Available in three widths: 300 mm, 600 mm and 900mm. Water supply through the return circuit of the pool filter or through dedicated pump.



Code	Width a (mm)	Connection b (inches)	Flow Rate (m <sup>3</sup> /h)
14200023	300	1,5"	18-22
14200024	600	2"	36-40
14200025	900	3"	55-65

### Optional LED Light Installation on Stainless Steel Weirs

- Install the LED light strip into the channel at rear of the weir with LED's facing towards the front.
- Secure the LED strip with the metal tabs on the channel.
- Connect power cable of the LED light strip to transformer supplied along with.



# Color Wheel LED Waterfall Control

### LED Waterfalls Control and Accessories

#### ColorWheel LED Waterfall Control

#### Fully Programmable Controller

Use the remote control to save and recall your favourite colors and shows at any point in time.

#### Total Dimming and Color Control

Select any custom color in the rainbow wheel, Control color changing speed and set custom brightness with dimming controls all with the help of the touch sensitive colour wheel remote.



### Features

- Programmable lighting control.
- Total control of LED colours.
- Control Brightness, cycle and colours.
- Remote with touch-sensitive colour control wheel.
- Program and save settings.
- Up to 27.5 m depending on installation.

Code	Description
5600-RC	Colour wheel Remote for LED waterfall
5600-PS	150W - 12V DC Power Supply for LED waterfall
5600-CT	Controller for LED waterfall
5600-BX	Plastic Power Supply Box

# Ornamental Water Features

## MUSHROOM UMBRELLA



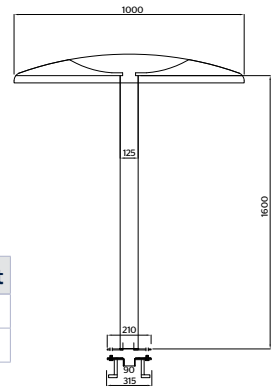
### Mushroom Umbrella water feature

Base of umbrella made in AISI 316 and top canopy in polyester fiberglass with a polished finish (colour selection of top canopy upon choice). Mushroom water feature made of two parts: the base and the canopy. The base height will be determined by the diameter of the canopy. Our standard model base and canopy as given, special size upon request.

### Specifications

- Anchor included
- Connection female 2 ½"
- Water flow: 34 m<sup>3</sup>/h
- Recommended pump: 2,2 kW

Code	Description	Weight
		kg
012997	Mushroom Waterfall w/ canopy polyester	40



### Atecpool Poolside Lounger

Modern ergonomic sun lounger featuring an integrated headrest, ideal for high-end residential and commercial outdoor spaces. Constructed from Anti-UV ABS material to ensure durability and long-term exposure to sun and moisture.

### Technical Specifications

Material	Anti-UV ABS
Color	Matte White
Dimensions (LxWxH)	1850x720x620mm
Weight	53 kg



### Poolside Lounger Features

- Integrated headrest for enhanced comfort
- Ergonomically contoured for optimal body support
- Heavy-duty construction for superior stability
- Weatherproof and waterproof – suitable for outdoor environments
- UV-resistant to prevent fading and cracking
- Non-slip base for secure placement on any surface



Code	Description
8800-04	Atecpool Poolside Lounger

# Atecpool Pool Alarm

## POOL SECURITY

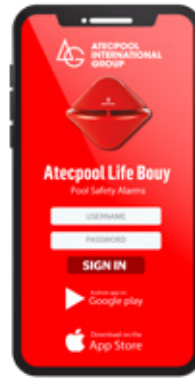


**WI-FI CONNECTION**

### Highlights

- Up to 4 pool units can be connected to one home unit.
- 85dB alarm at 10 feet.
- Connects to Alexa and Google Assistant.
- Smartphone connectivity to fully control the system.
- Advanced algorithm prevents false alerts.
- Portable so you can take it with you.
- One pack includes: Pool alarm and Panel.

Code	Description
ATEC ALARM 090	Atecpool Pool Alarm Life Bouy



### Atecpool Pool Alarm

Integrates intelligence, versatility, and functionality into a top-notch pool safety solution. Based on advanced sensors and complex algorithm, pool alarm provides maximum protection for children and pets with minimum user effort. Highly sophisticated yet simple to operate, the system can be installed and operated in a matter of minutes.



### Features

- 5 sensitivity levels ensure that an alarm is triggered only when a large enough object enters or falls into the pool.
- LED lights on both the pool unit and home unit provide an extra measure of visibility.
- Swim mode prevents the alarm from sounding when the pool is in use.
- Made of highly durable materials for maximum reliability.
- Alarm reactivates automatically several minutes after the pool has been vacated.

### Atecpool Pool Alarm Kit

Image Reference	Item	Quantity
	Pool Unit	1
	Home Unit	1
	Attachment Kit	1
	Type C USB Cable	1
	Quick Start Guide	1

- When Pool Alarm is triggered
- The Home Unit and Pool Unit sound an alarm. The LED's blink red.
  - Mobile application displays a notification.

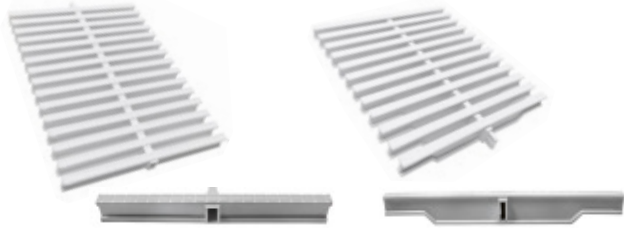
### Atecpool Pool Alarm Overview



# Overflow Channel Grating

## Overflow Grating

Made of UV-protected high grade PP. 45 units in single linear meter. standard color - White, any color can be custom made upon request. Available in 3 different heights - 22 mm, 24 mm and 30 mm.



Code	Height	Width	Std. Packing
	mm	mm	linear meter
01593718	22 (end cut type)	195	10
01593725	22 (end cut type)	245	10
01593730	24 (end cut type)	300	10
01593735	24	195	10
01593740	24	245	10
01593745	24	300	10
01593747	30	195	10
01593748	30	245	10

## Double Link Overflow Grating

Made of UV- protected high grade PP with double links fastened together by cable. 45 units in single linear meter. Standard color is white, any color can be custom made upon request. Available in 24 mm height.



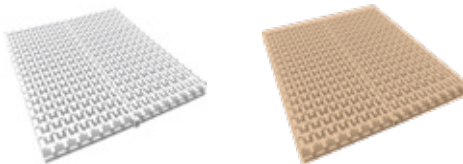
Code	Height	Width	Std. Packing
	mm	mm	linear meter
01593650	24	195	10
01593655	24	245	10
01593658	24	295	10



ABS gratings are available in a variety of color options to suit diverse design and application needs.

## Anti-Spill Grating

Made of UV- protected ABS. 45 units in single linear meter. Standard color - white, any color can be custom made upon request. Anti spill design avoids water spilling on to the deck area. Available in 30 mm height. Color variations upon request.



Code	Height	Width	Std. Packing
	mm	mm	linear meter
01593618	30	195	10
01593625	30	245	10
01593630	30	295	10
01593635	30	335	10

## Stainless Steel Channel Grating

Made of AISI 316 stainless steel as straight sections for overflow channels. Available in standard 1000mm Length and 25mm Height. Custom made length upon request to fit the length of the pool. Three different widths available - 150, 200 and 250mm.



Code	Width	Width	Std. Packing
	mm	mm	linear meter
01593888	150	1000	1
01593898	200	1000	1
01593889	250	1000	1

## Grating Support Profile

Grating Profile made of PP with internal dimensions 24 mm x 22 mm. Supplied in 2 m lengths. Suitable for 22 and 24 mm height grating. Color choice possible upon request.



Code	Size	Std. Packing
	internal mm	Linear meter
01593777	24 x 22	24

## 45° Corner Tiles

For overflow channels. Made of UV- protected high grade PP. Height - 24 mm



Code	Height	Width	Unit
	mm	mm	
01596195	24	200	1
01596245	24	250	1
01596295	24	295	1

## 90° Corner Tiles

For overflow channels. Made of UV- protected high grade PP. Height - 24mm



Code	Height	Width	Unit
	mm	mm	
01596195-1	24	200	1
01596245-1	24	250	1
01596295-1	24	295	1

# Pool Lining

## 3D REINFORCED MEMBRANES

BWT BE BRANE - 3D SURFACE

PRO EXCLUSIVE



PRODUCT

- Comprised of a reinforcing mesh sandwiched between two PVC membranes.
- Textured surface.
- Long guarantees resulting from the quality of the manufacturing process.



STANDARD SUPERIOR  
NF 15 836-2  
CLASS COMPLIANT

STANDARD  
JOUET EN 71.3  
COMPLIANT

GUARANTEE  
15 YEARS  
LEAKTIGHTNESS

GUARANTEE  
6 YEARS  
AGAINST STAINS

GUARANTEE  
35°C  
TEMPERATURE

GUARANTEE  
5 YEARS  
DIMENSIONAL STABILITY



**Black Reef**



**Urban Grey**



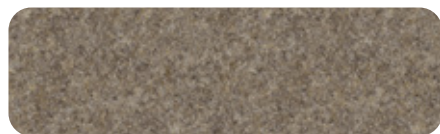
**Flagstone Jade**



**Emerald Stone**



**Flagstone Brown**



**Sunlit Quartz**



**Flagstone Sunlit**



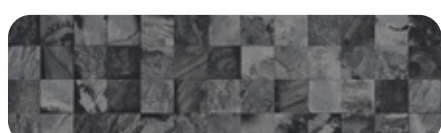
**Midnight Blue**



**Tropical Jade**



**Beach Sand**



**Mosaic Grey**



**Tuscan Sun**

# Pool Lining

## 3D REINFORCED MEMBRANES

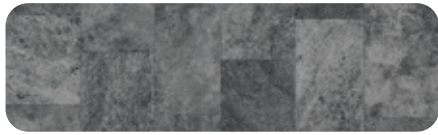


Natural Green



Coral Reef Sand

BWT EXCLUSIVE



Natural Grey



Coral Reef Grey

BWT EXCLUSIVE


BWT Be BRANE - 3D Surface

Family 6530

PRO EXCLUSIVE

Width 1.65 m: delivered in 25 m rolls (41.25 m<sup>2</sup>), pallet of 8 rolls (330 m<sup>2</sup>).

Code	Description	
125694377	Be BRANE 3D Surface - Black Reef	le m <sup>2</sup>
125694384	Be BRANE 3D Surface - Flagstone Jade	le m <sup>2</sup>
125694383	Be BRANE 3D Surface - Flagstone Brown	le m <sup>2</sup>
125694385	Be BRANE 3D Surface - Flagstone Sunlit	le m <sup>2</sup>
125694387	Be BRANE 3D Surface - Tropical Jade	le m <sup>2</sup>
125694388	Be BRANE 3D Surface - Mosaic Grey	le m <sup>2</sup>
125694380	Be BRANE 3D Surface - Urban Grey	le m <sup>2</sup>
125694382	Be BRANE 3D Surface - Emerald Stone	le m <sup>2</sup>
125694386	Be BRANE 3D Surface - Sunlit Quartz	le m <sup>2</sup>
125694381	Be BRANE 3D Surface - Midnight Blue	le m <sup>2</sup>
125694379	Be BRANE 3D Surface - Beach Sand	le m <sup>2</sup>
125694378	Be BRANE 3D Surface - Tuscan Sun	le m <sup>2</sup>
125666746	Be BRANE 3D Surface - Natural Grey	le m <sup>2</sup>
125666747	Be BRANE 3D Surface - Natural Green	le m <sup>2</sup>
125666749	Be BRANE 3D Surface - Coral Reef Sand <b>BWT EXCLUSIVE</b>	le m <sup>2</sup>
125666748	Be BRANE 3D Surface - Coral Reef Grey <b>BWT EXCLUSIVE</b>	le m <sup>2</sup>

 A pallet of BWT Be Brane membrane may be loaded with 8 differently patterned rolls (black slate, golden riviera, etc.), roll width must be identical.

*Innovation*  
BY BWT



# Pool Lining

## 3D REINFORCED MEMBRANES

Liquid PVC BWT Be BRANE

Family 6530

PRO EXCLUSIVE

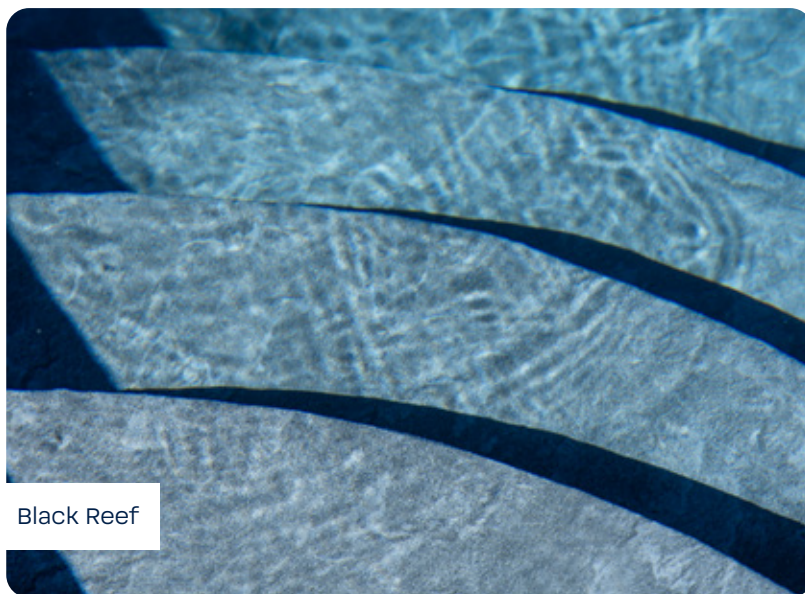
Code	Description
125627698	Liquid PVC Be BRANE Black Reef & Flagstone Brown 1L
125627713	Liquid PVC Be BRANE Flagstone Jade / 1L
125627716	Liquid PVC Be BRANE Flagstone Sunlit / 1L
125627706	Liquid PVC Be BRANE Urban Grey & Natural Grey & Coral Reef Grey / 1L
125627710	Liquid PVC Be BRANE Emerald Stone & Natural Green / 1L
125627708	Liquid PVC Be BRANE Midnight Blue / 1L
125627704	Liquid PVC Be BRANE Beach Sand & Coral Reef Sand / 1L
125627700	Liquid PVC Be BRANE Tuscan Sun / 1L
125627721	Liquid PVC Be BRANE Sandy Bali & Sunlit Quartz / 1L

Liquid PVC BWT PF4000

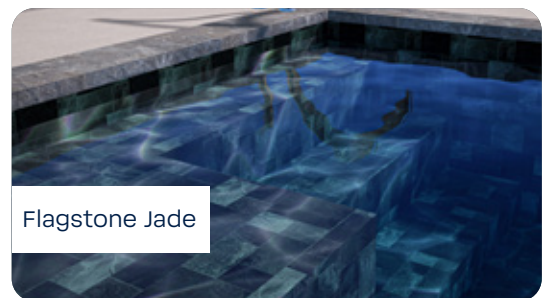
Family 6530

PRO EXCLUSIVE

Code	Description
1925010	Liquid PVC PF4000 - Transparent <span style="float: right;">1 L pot</span>



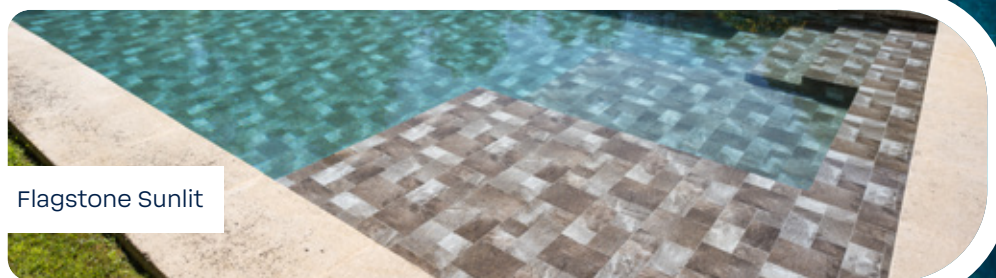
Black Reef



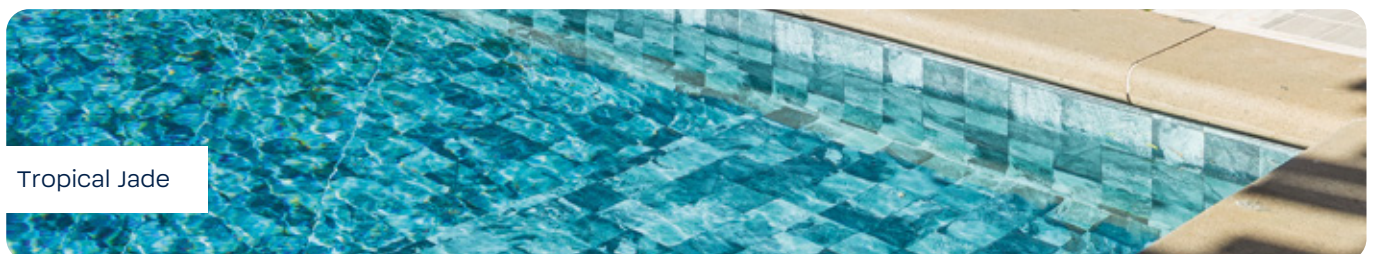
Flagstone Jade



Flagstone Brown



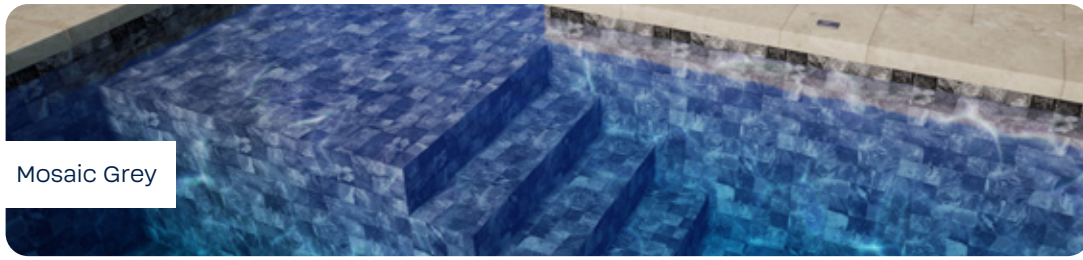
Flagstone Sunlit



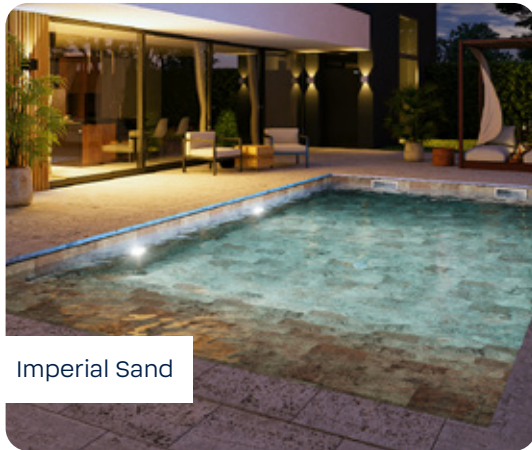
Tropical Jade

# Pool Lining

## 3D REINFORCED MEMBRANES



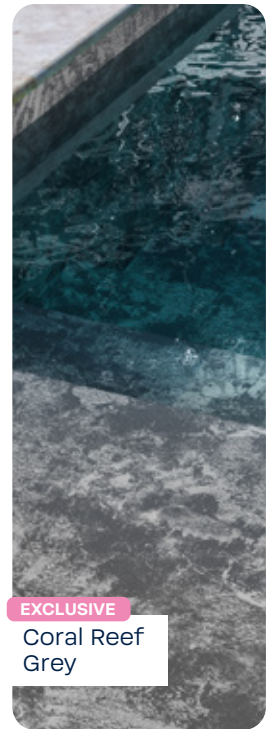
Mosaic Grey



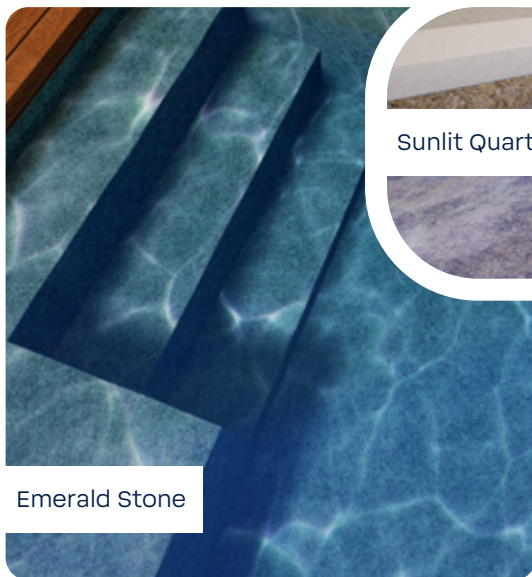
Imperial Sand



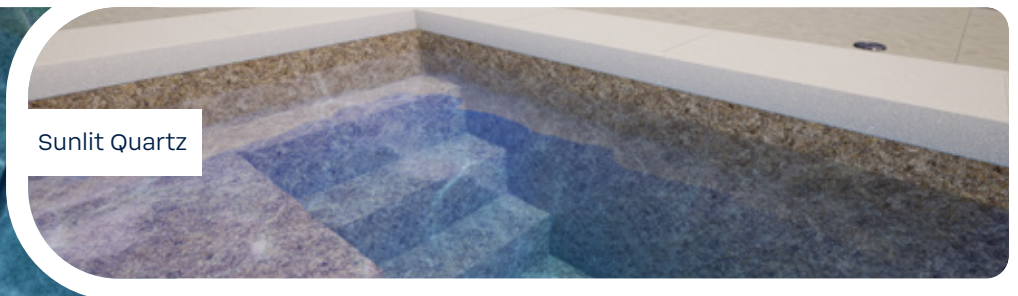
Urban Grey



EXCLUSIVE  
Coral Reef Grey



Emerald Stone



Sunlit Quartz



Midnight Blue



EXCLUSIVE  
Coral Reef Sand



Tuscan Sun




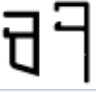

Beach Sand

# Pool Lining

## ACCESSORIES FOR REINFORCED MEMBRANES

Liner Locking Track

Family 6450

	Description		Code	Code
<b>Hung liner track, width 50 mm</b>			PVC	alu
	Hung liner track; straight, 50 mm, length 2 m	per m	1820100	1820400
<b>Free-form Hung liner track</b>			PVC	alu
	Hung liner track, 50 mm, free form, length 2 m	per m	1820300	-
<b>Corner piece, diameter 30 cm, width 50 mm</b>			PVC	alu
	Hung liner track, 50 mm (corner piece) for R15		1820200	1820500
<b>Hung sub-coping liner track</b>			PVC	alu
	Hung liner track, sub-coping, length 2 m	per m	1820700	1822400
<b>Free form Hung sub-coping liner track</b>			PVC	alu
	Hung vertical sub-coping liner track, free form, length 2 m	per m	-	1822600
<b>Free form Hung sub-coping liner track, corner piece</b>			PVC	alu
	Hung vertical sub-coping liner track, free form, corner piece		-	1822500
<b>Hung liner track with front hook, width 90 mm</b>			PVC	alu
	Hung liner track, 90 mm, with front hook, length 2 m	per m	1820150	1820450
<b>Hung liner track with rear hook, sealed in concrete, 100 mm</b>			PVC	alu
	Hung liner track with rear hook, width 100 mm, length 2 m	per m	3350200	3350500
<b>Corner piece, diameter 30 cm, width 100 mm with rear hook</b>			PVC	alu
	Corner piece for straight Hung liner track, width 100 mm with rear hook		-	30309000
<b>Corner piece, 10 cm cut away, width 100 mm with rear hook</b>			PVC	alu
	Corner piece, 10 cm cut away, width 100 mm, with rear hook		3350400	3350700



### Hung liner track aluminium sub-coping

- Thickness 2 mm for greater rigidity
- Guide groove to facilitate centering and drilling
- The upper tab holds linerlock retaining strip in position
- Small footprint, 14.8 mm

# Pool Lining

## ACCESSORIES FOR REINFORCED MEMBRANES

Linerlock Hung Liner Locking Track

Family 6450



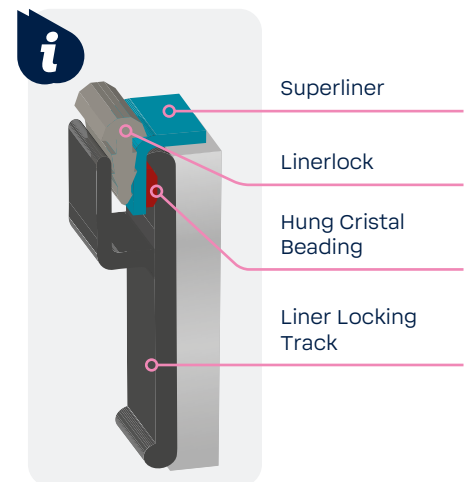
### Linerlock Hung, 17 mm:

This retaining strip features a section that can be positioned to cover either the coping joint or the membrane weld.



### Linerlock Hung, 6 mm:

This strip is mainly used to retain the membrane in the Hung liner track. It is also compatible with the Ceramica System.



	Description		Code	Code
			17 mm	6 mm
<b>White</b>	Linerlock Hung	per 50 m	<b>1820920</b>	<b>1820950</b>
<b>Light blue</b>	Linerlock Hung	per 50 m	<b>1820921</b>	<b>1820951</b>
<b>Grey blue</b>	Linerlock Hung	per 50 m	<b>1820930</b>	<b>1820960</b>
<b>Dark blue</b>	Linerlock Hung	per 50 m	<b>1820922</b>	<b>1820952</b>
<b>Sand</b>	Linerlock Hung	per 50 m	<b>1820925</b>	<b>1820955</b>
<b>Grey</b>	Linerlock Hung	per 50 m	<b>1820928</b>	<b>1820958</b>
<b>Anthracite grey</b>	Linerlock Hung	per 50 m	<b>1820926</b>	<b>1820956</b>
<b>Black</b>	Linerlock Hung #	per 50 m	<b>1820929</b>	<b>1820959</b>

## General information

### Guarantee:

Superliner V2F and Aqualiner liners are delivered with detailed guarantee conditions and operating instructions specific to each product.

The guarantees are also indicated by means of pictograms on the previous pages.

The guarantee conditions and instructions for use concerning Superliner V2F 0.85 mm liners and Aqualiner are also available on our Internet site.

### Delivery :

All the Superliner V2F 0.85 mm and Aqualiner 0.75 mm liners are delivered:

- In a protective carrying sack, that protects the liner during transport and handling,
- With a sachet of 16 wooden half pegs, to facilitate fitting of the liner.



### Felt underlay:

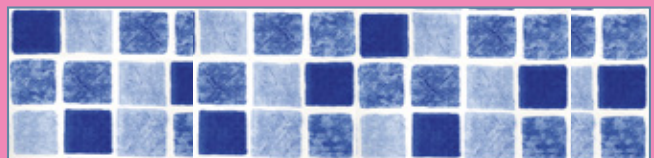
In the event that the pool is fitted with underlay, the French

standard AFNOR NF T 54 802 stipulates that:

- The underlay (Biotex) must be impregnated with a biocide
- The glue used (Biocol) to lay the underlay must be a vinyl glue treated with a biocide
- Fixing of the underlay with coloured adhesive tape is strictly prohibited.

### Pattern continuity:

In the case of patterned liners, or liners with a tile band, featuring a repeating pattern, the French standard AFNOR NF T 54 802 states that it is impossible to guarantee the continuity of the pattern. See the examples below.



Dark colours (notably black) are more susceptible to high concentrations of oxidising agents.

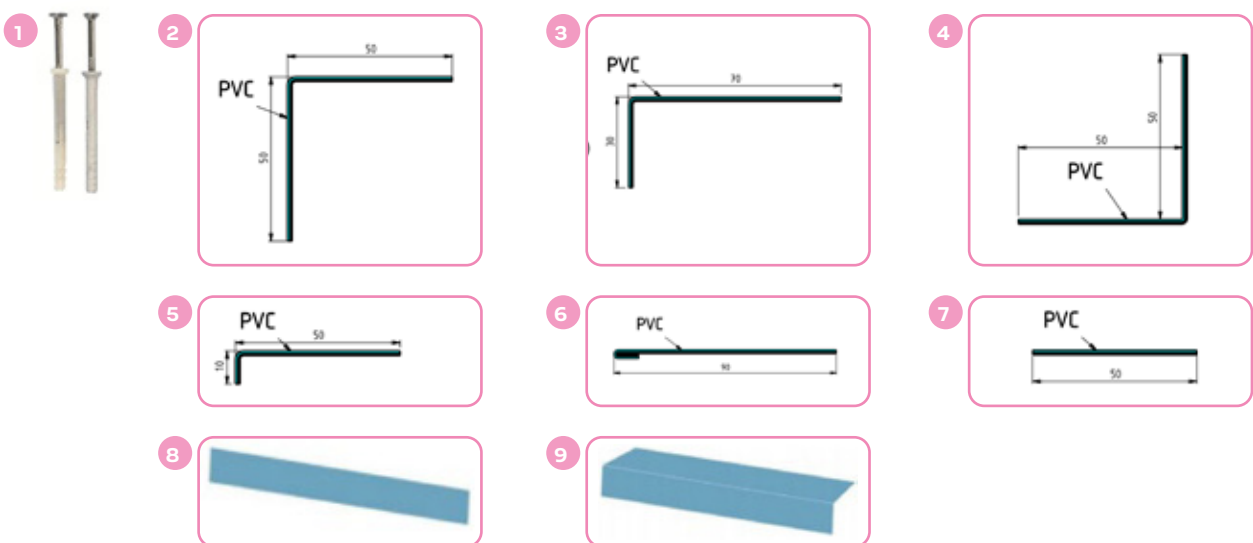
# Pool Lining

## ACCESSORIES FOR REINFORCED MEMBRANES

Accessories

Family 6460

Rivets and colaminated sheets		
1825110	Extruded strip expansion rivet	box of 100, per rivet
	Extruded strip expansion rivet	In 10 boxes of 100, per rivet
1 7690260	Stainless steel bushing A2, 5x30 mm	Box of 300, per box
1826100	Colaminated PVC sheet, 2 x 1 m	1e m <sup>2</sup>
2 1826200	Internal corner 50x50 mm ,2 m length	6 lengths, per unit
3 1826210	Internal corner 70x30 mm, 2 m length	6 lengths, per unit
4 1826300	External corner 50x50 mm, 2 m length	6 lengths, per unit
5 1826400	Connecting strip 50x10 mm, 2 m length	6 lengths, per unit
6 1826410	Connecting strip 90x10 mm, 2 m length	6 lengths, per unit
7 1826500	Connecting strip, flat, 50 mm, 2 m length	6 lengths, per unit
8 1826900	Renolit Alkorplus straight PVC profile, 50mm wide 2 m long	10 lengths, per unit
9 1826945	Renolit Alkorplus 90° PVC profile, 45 x 45 mm, 2 m long	10 lengths, per unit
Solvent, glue and underlay		
1823150	THF solvent 1 L container	
1822300	Vinyl glue for reinforced membrane	5 litre container
1822350	Alkorplan vinyl glue for dark colours (anthracite grey)	10 litre container
1822390	Alkorplus contact glue	5 litre container
1821450	Alkorplus blue felt, 400 g/m <sup>2</sup> , height 1.50 m, 50 m roll	
	Alkorplus blue felt, 400 g/m <sup>2</sup> , height 1.50 m, 50 m roll	6 roll, unit
Other accessories		
1824200	Liquid PVC application bottle	per 5
1828100	9 mm welding tape	25 m roll, per m

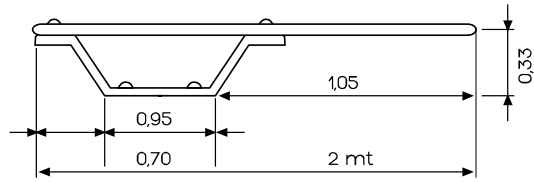


# Diving Boards and Slides

## POOL SURROUND

### Diving Board with Base

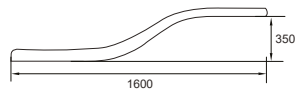
Diving board made of fiberglass and polyester with base for fixing. Non-slip surface with extra strips for the diving area at the end of the board. Diving board supports maximum weight of 120 kg. Supplied with anchoring fixtures.



Code	Description	Dimensions		Weight
		Length	Width	
00190018	Atecpool Diving Board with Base L: 2.0, W:0.39 M	2000 mm	390 mm	29
00190119	Atecpool Diving Board with Base L: 4.0, W:0.39 M	4000 mm	390 mm	50

### Wave Diving Board

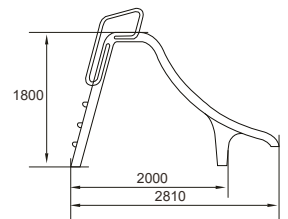
Diving board made of fiberglass and polyester with anchoring fixtures. Non slip surface with extra strips for the diving area at the end of the board. Length 1.6 m. Width 0.39 m



Code	Dimensions	Weight	Volume
	m	kg	m <sup>3</sup>
00190020	L: 1,60m / W: 0,39m	12,3	0,14

### Slide Straight Model

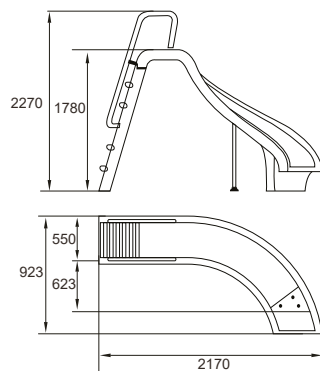
Slide made in polyester and fiberglass with non-slip polyester steps. Water inlet to aid sliding. Supplied with grab rails and anchoring fixtures.



Code	Height	Weight	Volume
	mm	kg	m <sup>3</sup>
00109008	1500	62	1,214
00109003	1800	70	1,37

### Slide Curved Model

Slide made in polyester and fiberglass with non-slip polyester steps. Water inlet to aid sliding. Supplied with grab rails and anchoring fixtures. Two curved models available - right and left curve.



Code	Description	Weight	Volume
		kg	m <sup>3</sup>
00109004	Right Curved Slide	83	2,89
00109005	Left Curved Slide	83	2,89

INSPIRED  
ByWater

**ATECPPOOL**  
BWT GROUP

Q [atecpool.com](https://atecpool.com)



INSPIRED  
ByWater

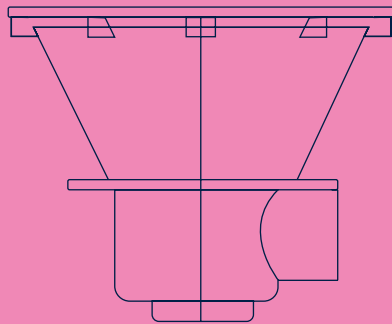
[atecpool.com](http://atecpool.com)



atecpool.com



# Pool and Spa Fittings



INSPIRED  
ByWater

**ATECPOOL**

BWT GROUP



# Atecpool Pool and Spa Fittings



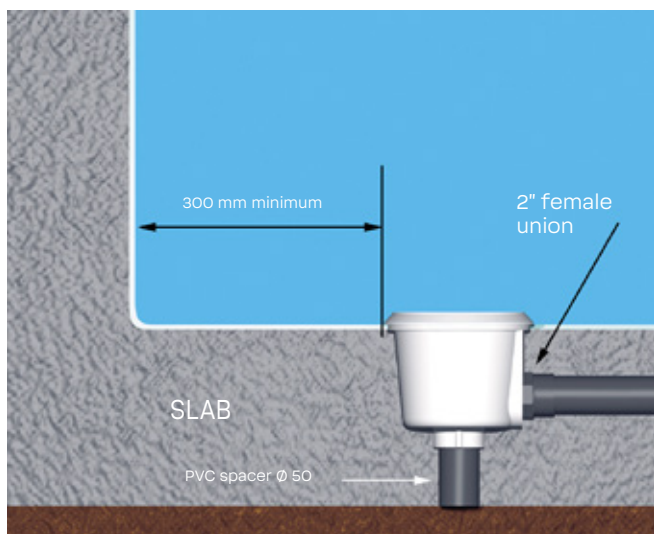
**ATECPOOL** provides vast range of swimming pool shell equipment in ABS, high quality stainless steel and polypropylene, ensuring you find everything you would ever need for an adequate water circulation in your swimming pool under one roof. If you are unsure of shell equipment needed for your pool, then please contact a member of our

team who will help you to select your pool fittings. All pool fittings are designed and engineered by **ATECPOOL** with design excellence, high precision, user friendly, easy to install and high adaptation to individual flow requirements.

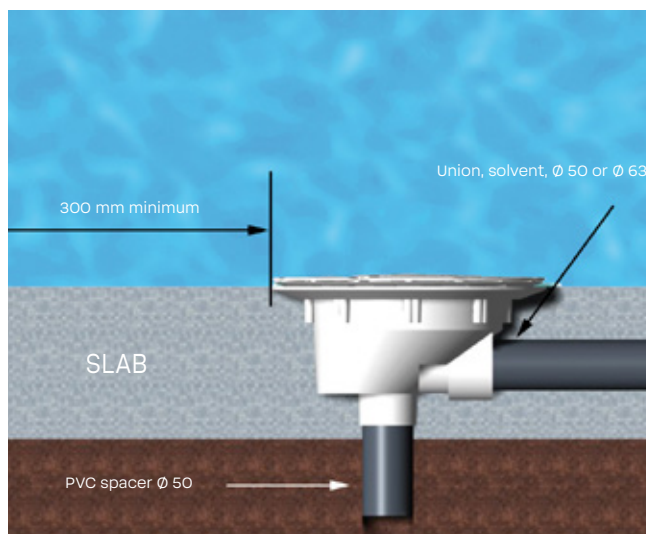
# Pool Fittings

## PLACEMENT OF THE POOL FITTINGS

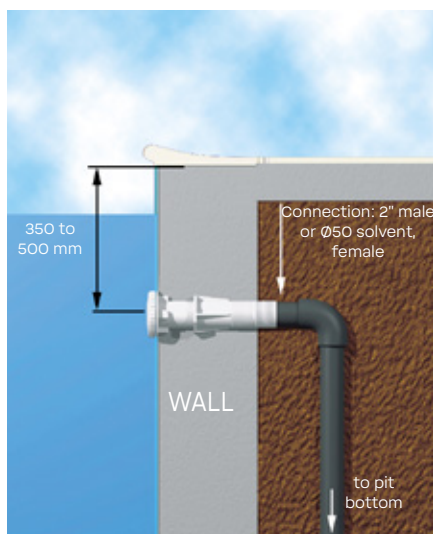
### Main drain BL-211/ BB-210



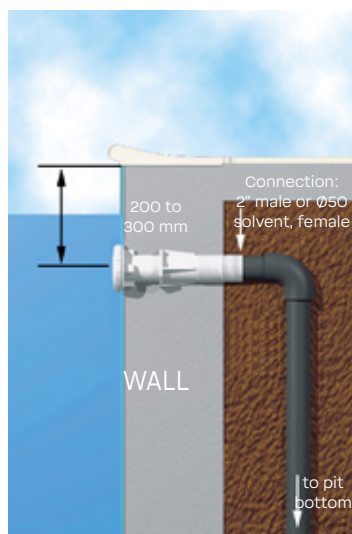
### Main drain BL-311/ BB-310



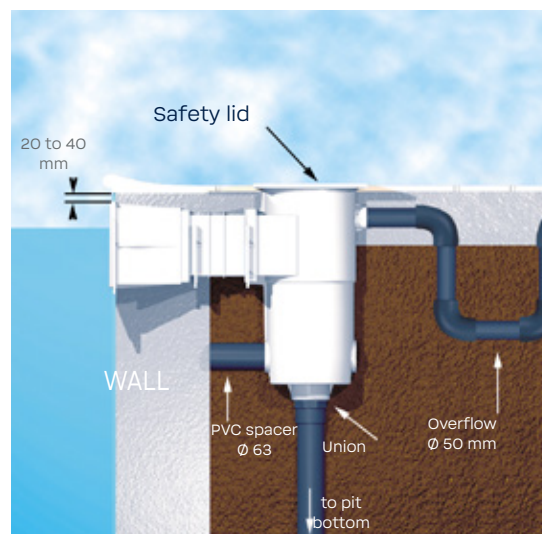
### Return fitting



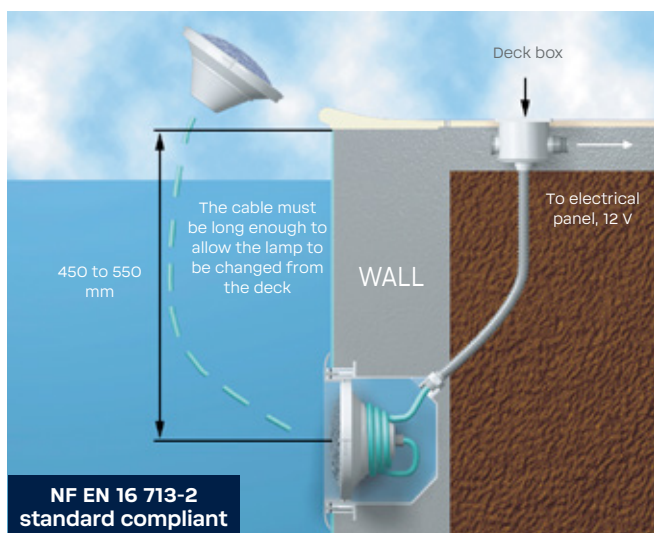
### Vacuum point



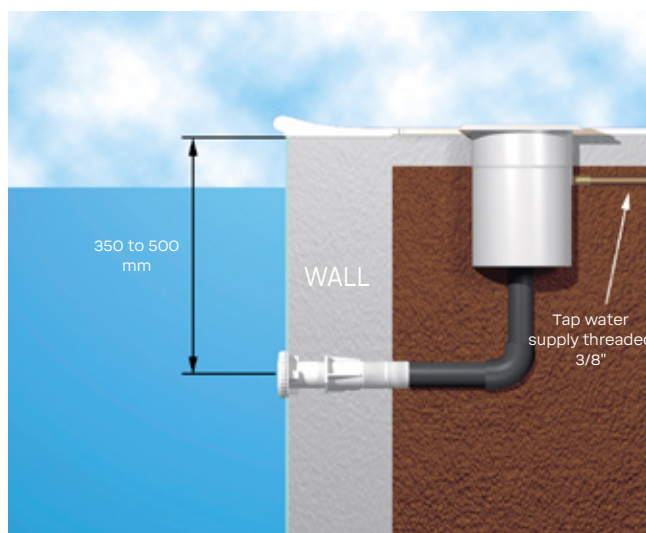
### Skimmer



### Underwater light



### Level controller



# Pool Fittings

## THE CARTRIDGE SKIMMER



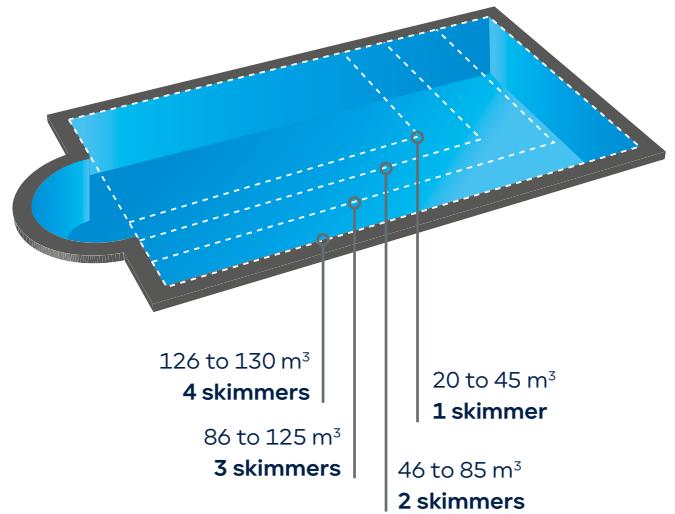
### The Cartridge Skimmer

A water and energy-saving solution

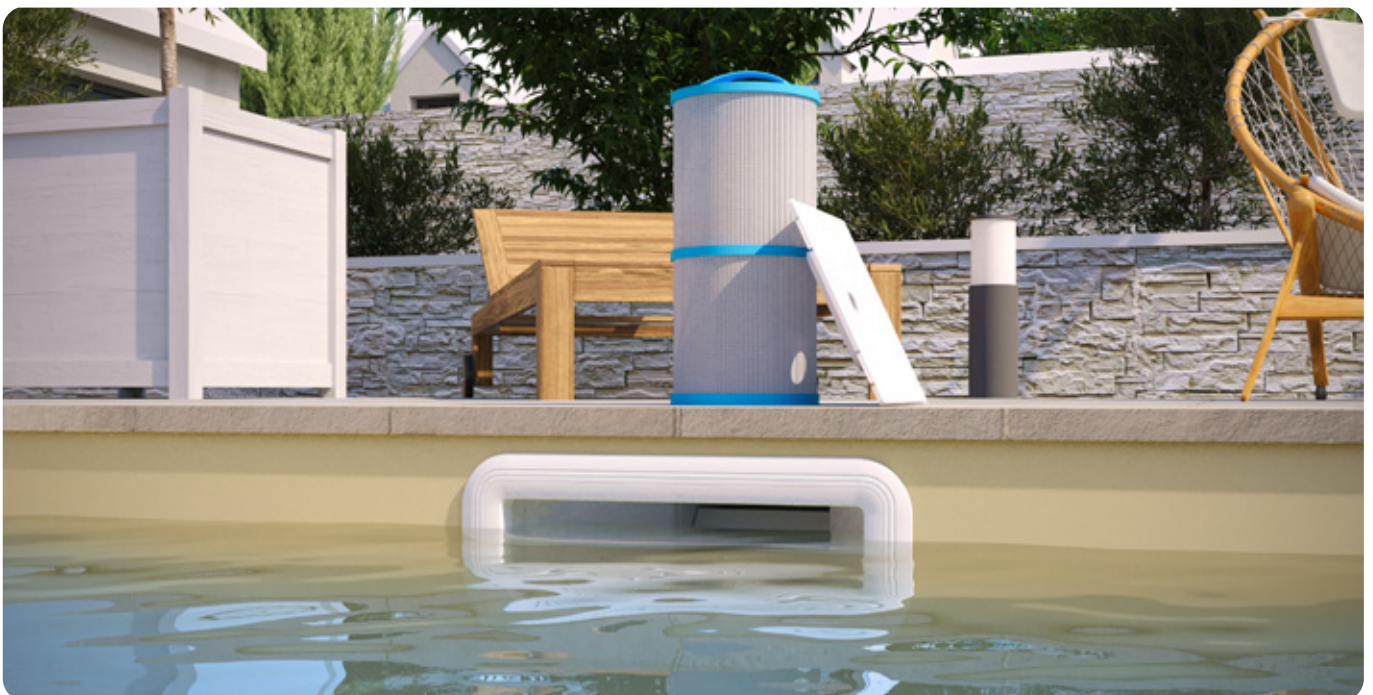


- No need for a filter
- Consumes less water, less electricity
- Simplified hydraulic circuit, faster to install
- Made in France
- Cartridge included

### Recommended number of skimmers



Filtration surface area (m <sup>2</sup> )	Height (mm)	Diameter (mm)	Filtration grade (µm)	Max flow rate (m <sup>3</sup> /h)
5,7 m <sup>2</sup>	670 mm	180 mm	15 micron	12 m <sup>3</sup> /h

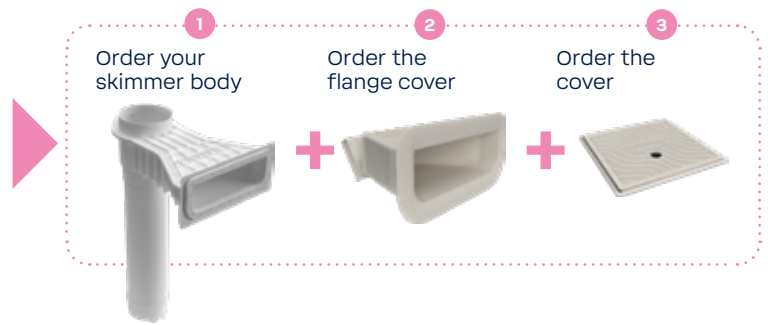


# Pool Fittings

## THE CARTRIDGE SKIMMER



**Compose your cartridge skimmers to add the coloured flange cover**

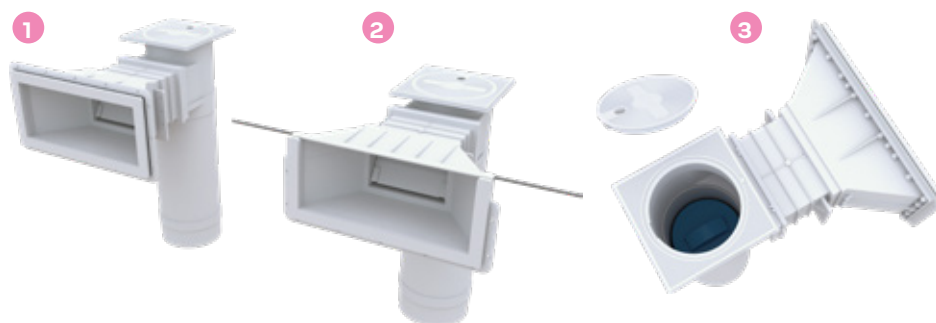


Cartridge Skimmers BWT Match, Masonry - Liner - Concrete Family 2100 & 31350



Cartridge skimmers		
1	40094001	BWT Match C-LB Skimmer, SS over-weir
2	40090060	Complete skimmer flange cover for Match LB, white
3	40090100	Matching Sun white skimmer frame and lid
Skimmer SS over-weir		
4	40096001	BWT Match C-LB-MR Skimmer, SS over-weir
5	40090100	Matching Sun white skimmer frame and lid
6	40092060	Complete flange cover for Match LB MR skimmer, white
Cartridge skimmers		
7	40094018	Match skimmer cartridge

BWT Cartridge Skimmers, Panel Family 2100



Filtration surface area (m <sup>2</sup> )	Height (mm)	Diameter (mm)	Filtration grade (µm)	Max flow rate (m <sup>3</sup> /h)
4.5 m <sup>2</sup>	365	176	20	10

Code	Description
1 8452229	Cartridge skimmer P-GM, panel pools
2 8452329	Cartridge skimmer P-GM mirror, panel pools
3 8452239	Cartridge for skimmer P-GM, panel pools

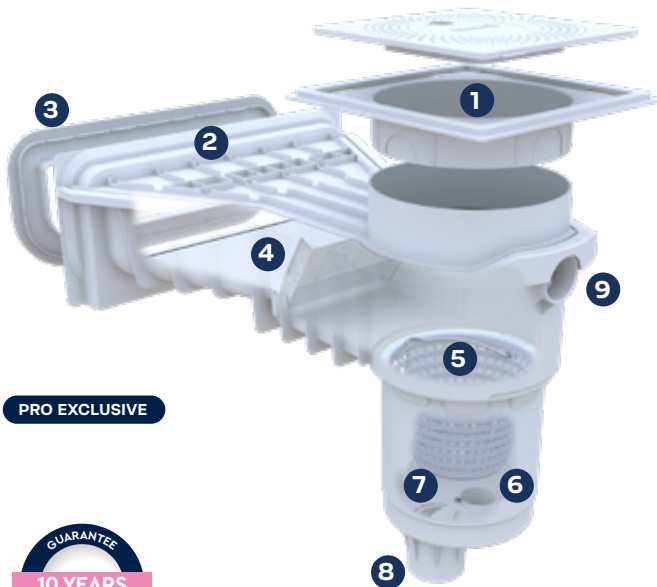
# Pool Fittings

## BWT MATCH SKIMMER

Scan to watch  
the video!



BWT Match Skimmer



PRO EXCLUSIVE



## The skimmer that matches

EVERY POOL AND EVERY REQUIREMENT!

Are you searching for a skimmer that perfectly matches your pool, an efficient high performance skimmer that ensures an exquisite bathing experience in pure clean water unspoiled by unwanted floating debris? Would you like it to be well designed, easy to install and handy to maintain, durable and reliable?

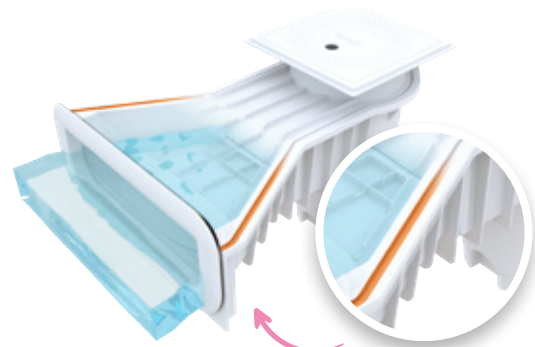
- 1 Clip closure
- 2 Wide selection of skimmer mouths
- 3 Skimmer face trim
- 4 Silent weir
- 5 Pre-filter basket with push and twist locking mechanism
- 6 Adaptor for winterizing Gizmo
- 7 Flow regulator
- 8 Bottom outlet, diameter 50 or 63 mm
- 9 Overflow, diameter 50 mm



### Crystal clear swimming pool water

The skimmer is a crucial component of the water circulation and purification system: by rapidly skimming dust, pollen, leaves and insects from the surface of the water, the skimmer plays a key role in keeping the pool water crystal clean. It rapidly whisks away floating debris to keep the surface of the water immaculate and ensure a pleasurable bathing experience.

The BWT Match skimmer fulfils every requirement.



The weld is above the water line, this eliminates any risk of leaks

# Pool Fittings

## BWT MATCH SKIMMER



PRO EXCLUSIVE



BWT Match skimmer ↑  
standard water level: 100 mm

### BWT Match Skimmer

#### Matches every pool...

liner or tiles, walls made of concrete blocks, poured concrete or Blockit modules, sand or cartridge filtration, standard or high water level, etc.

**The BWT Match skimmer adapts perfectly to every configuration and every pool.**

#### Matches every requirement

This skimmer also fulfils the strictest requirements of pool owners and pool professionals. Highly efficient skimming, quiet, easy to install, operate and maintain: this is how BWT Match skimmer gets its name, it ticks every box, and is a real people pleaser!

## The Skimmer Match offers unique adaptability and flexibility!

- A choice of 10 colours is available for the visible parts of the skimmer in the pool to blend in perfectly with the decor chosen for the pool.
- 3 different designs and 3 different colours are available for the cover.
- There's no need to wait for the colour of the pool lining to be chosen before installing the skimmer. In fact, the white body can be installed and the visible coloured parts installed afterwards.
- A single white skimmer body to stock, a single part number, storage made easy.



# Pool Fittings

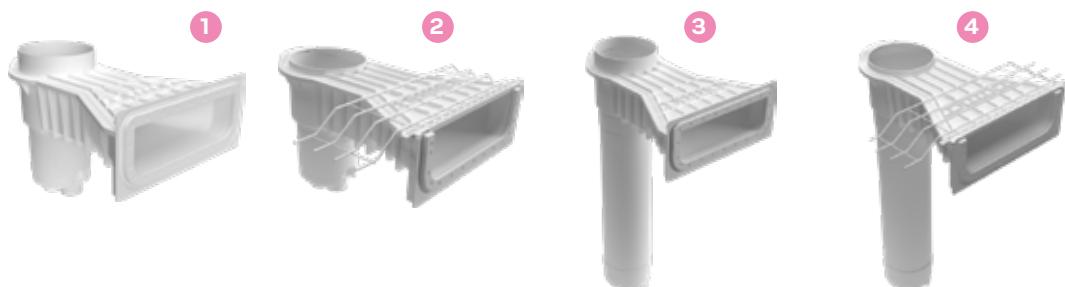
## BWT MATCH SKIMMER



Compose your match skimmer



### 1 BWT Match Skimmer Family 2105 **PRO EXCLUSIVE**



	Code	Description
<b>Skimmer Liner / Concrete</b>		
1	40090001	Skimmer BWT Match Liner/Concrete, body
2	40091001	Skimmer BWT Match Liner/Concrete-Mirror, body
	40092001	Skimmer BWT Match Liner/Concrete with inserts, body
	40093001	Skimmer BWT Match Liner/Concrete-Mirror with inserts, body
<b>Cartridge Skimmer</b>		
3	40094001	Skimmer BWT Match Cartridge Liner/Concrete, body
4	40096001	Skimmer BWT Match Cartridge Liner/Concrete-Mirror, body
	40095001	Skimmer BWT Match Cartridge Liner/Concrete with inserts, body
	40097001	Skimmer BWT Match Cartridge Liner/Concrete-Mirror with inserts, body

### 2 Flange cover and inlet sheath Family 2100 & 2105 **PRO EXCLUSIVE** **NEW**



BWT Match Skimmer Flange Cover	
White	40090060

BWT Match Mirror Skimmer Flange Cover	
White	40092060



BWT Match Skimmer Inlet Sheath and Flap								
40090185	40090181	40090192	40090182	40096196	40090191	40090188	40090187	40090189

BWT Match Mirror Skimmer Inlet Sheath and Flap								
40092185	40092181	40092192	40092182	40092296	40092191	40092188	40092187	40092189

# Pool Fittings

## BWT MATCH SKIMMER



3 Frames & covers Family 2100 & 2105

PRO EXCLUSIVE



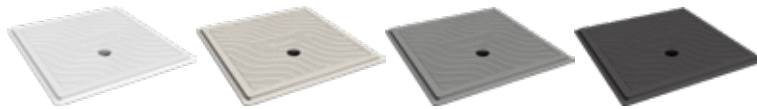
LIDS available in 3 patterns

Wave ↓

Sun →

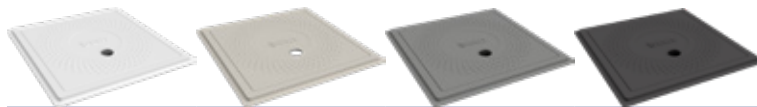
↑ Sand

White Sand Grey Anthracite grey



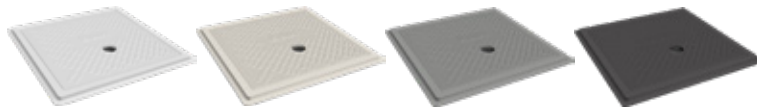
Match Skimmer Frame and Cover, Wave

40090102	40090502	40090802	40090702
----------	----------	----------	----------



Match Skimmer Frame and Cover, Sun

40090100	40090500	40090800	40090700
----------	----------	----------	----------



Match Skimmer Frame and Cover, Sand

40090101	40090501	40090801	40090701
----------	----------	----------	----------



BWT match skimmer white complete Family 2100

PRO EXCLUSIVE



Supplied with the "Cover Sun" motif by default



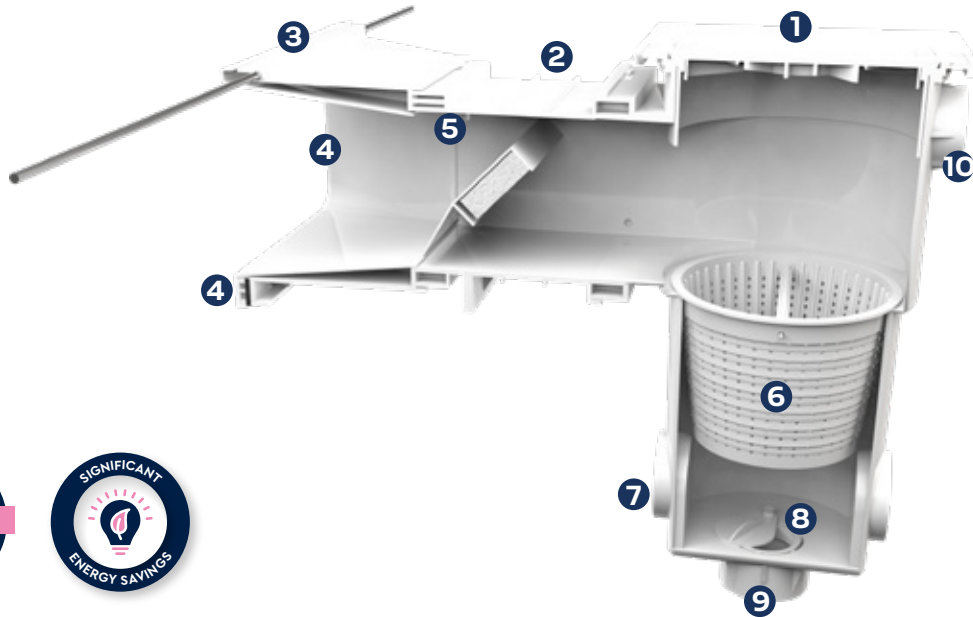
	Code	Description
		<b>Skimmer Liner/Concrete</b>
1	40090000	Skimmer BWT Match Liner/Concrete, complete, white
2	40091000	Skimmer BWT Match Liner/Concrete-Mirror, complete, white

# Pool Fittings

## MIRROR SKIMMER

The Mirror Skimmer in detail

PRO EXCLUSIVE



### 1 Push and twist locking mechanism

- The skimmer lid is equipped with a locking mechanism that prevents it from being opened accidentally. This is an effective way of protecting children.
- The skimmer lid is housed in a telescopic frame so that the height can be adjusted to lie flush with the pool deck.

### 2 Wide choice of throat lengths

- Thanks to its modular design, the length of the skimmer throat can be adjusted between 20 and 457 mm to adapt to any configuration (whatever the thickness of the pool wall by adding one or more extension throats and a skimmer mouth).

### 3 Choice of skimmer mouths

- Skimmers can be fitted with a standard skimmer mouth, or a wide skimmer mouth, depending on requirements.
- Skimmers feature a pre-fix collar, used to install them on prefabricated structures.

### 4 Face plate trim

- A face plate clips onto the skimmers to hide the skimmer flange and screws.

### 5 Weir damper

- The skimmer mouth is equipped with a stopper to reduce the noise made by the weir when the pool water is very agitated.

### 6 Self-locking skimmer basket

- The basket is locked into place in the skimmer by means of a bayonet, push and twist locking mechanism. This prevents the basket from floating up when the filtration pump stops. The basket can be lined with a "Pool Bag" to improve particle retention.

### 7 Lateral outlet

- A 63 mm PVC spacer can be fitted here between the skimmer and the pool wall to further stabilise the skimmer's seating.

### 8 Flow regulator

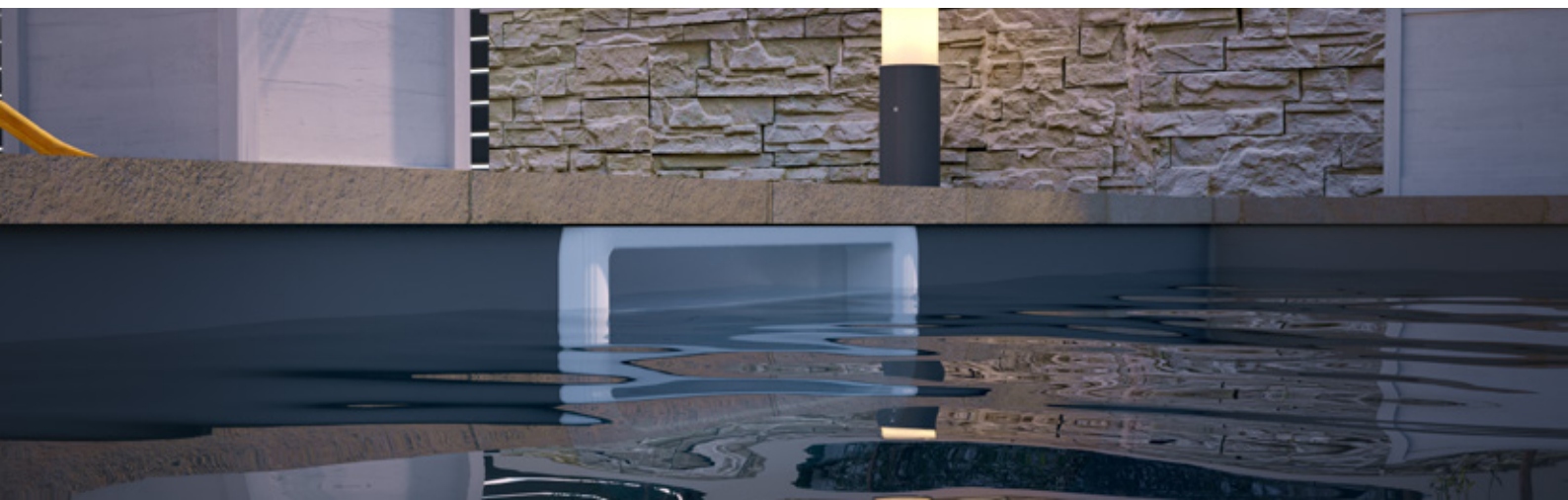
- The body of the skimmer features a mobile flap to adjust the rate at which water is drawn into the skimmer.

### 9 Bottom outlet

- This 2" tapped outlet accepts a threaded adaptor socket (2"x 63 or 2"x 50) to connect the skimmer to the filtration system. These adaptor sockets are cheaper than tapped sockets of the same dimensions. The 1½" threading is used to install a gizmo (protects the skimmers against freezing).

### 10 50 mm overflow

- This may be connected to waste with standard 50 mm PVC pipes used for filtration. Evacuates water very efficiently in the event of heavy rain.
- The overflow is sealed by a disc that may be pierced at one of several circular indentations allowing the height of the overflow to be altered in 5 mm increments.



# Pool Fittings

## MIRROR SKIMMER



### Mirror Skimmer, Masonry / Liner Family 2100 & 2105

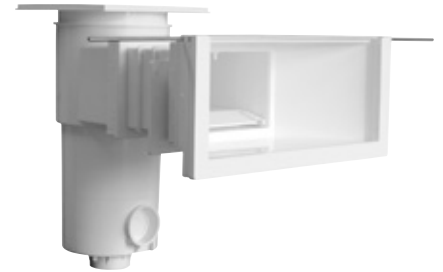


Code	Reference	Description
40067000	SL-119-M-MR	Mirror skimmer, wide mouth + extension throat
40077200	SL-119-CA-M-MR-2	Skimmer, w. m. SL119CA-M-MR /liner, 2, white BWT

Light Blue	Sand	Grey	Anthracite grey	Black
------------	------	------	-----------------	-------

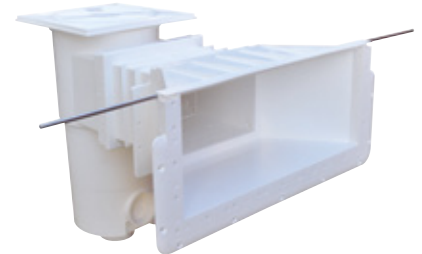
Mirror skimmer, wide mouth+extension throat					
	<b>40067081</b>	<b>40067085</b>	<b>40067088</b>	<b>40067087</b>	<b>40067089</b>
	SL-119-MR-BC	SL-119-MR-SA	SL-119-MR-GR	SL-119-MR-GA	SL-119-MR-N

### Mirror Skimmer, Concrete Family 2100



Code	Reference	Description
40666000	SB-118-MR	Mirror skimmer, wide mouth + extension throat, concrete pools

### Mirror Skimmer, Panel Family 2100 & 2105



Code	Reference	Description
40267000	SL-119-P-MR	Mirror skimmer, SL119-P-MR, white, liner/panel pools

**i** The pipe descending from the bottom of the skimmer must be rigid, all the way to the floor of the excavation.

Sand	Grey	Anthracite grey
------	------	-----------------

Mirror skimmer, panels/liner wide mouth+extension throat			
	<b>40267085</b>	<b>40267088</b>	<b>40267087</b>
	SL-119-P-MR-SA	SL-119-P-MR-GR	SL-119-P-MR-GA

**SKIMMERS ARE AVAILABLE IN 5 COLOURS AS PART OF the Color range: Light blue, Beige, Grey, Anthracite grey and Black.**



Light blue



Beige



Grey



Anthracite grey



Black

# Pool Fittings

## STANDARD SKIMMER ABS

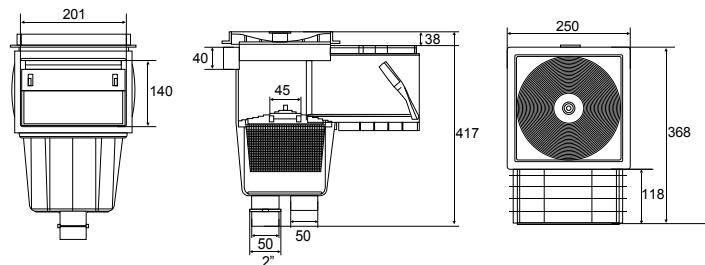
### Standard Skimmer ABS

Manufactured in UV treated white ABS with top square lid and frame. With flap and flow regulation plug. Supplied with extra strong plastic basket with handle. Skimmer has an option of 3 connection sizes: 1½" internal threaded, 2" threaded and 50mm diameter for gluing. Overflow connection of 40mm diameter. Max. Recommended flow is 5m<sup>3</sup>/h. For optimum results it is recommended to use 1 skimmer per 25m<sup>2</sup> of pool surface area. The skimmer suction can also be used for vacuum cleaning the pool floor.

### Standard Skimmer for concrete



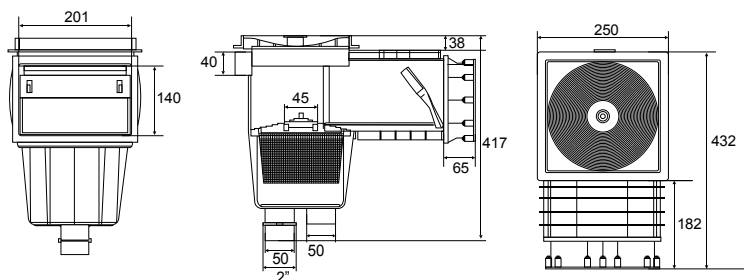
Code	Description	Weight	Volume
		kg	m <sup>3</sup>
01590010	Standard Skimmer ABS Concrete	3,15	0,047



### Standard Skimmer with Extended Throat for concrete



Code	Description	Weight	Volume
		kg	m <sup>3</sup>
01590010-1	Standard Skimmer ABS Concrete with Extended Throat	4,10	0,049

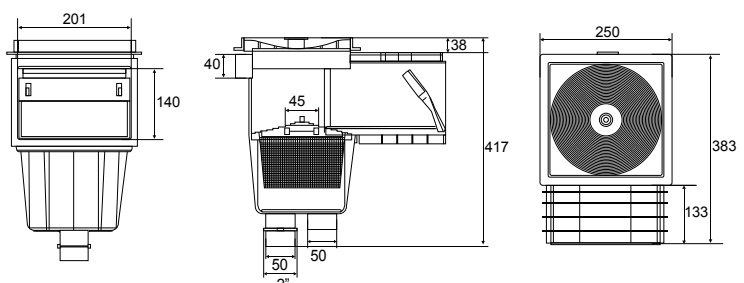


### Standard Skimmer for Liner

Supplied with elastic adhesive gasket, flange and screws for liner fixing.



Code	Description	Weight	Volume
		kg	m <sup>3</sup>
01591011	Standard Skimmer ABS Liner	5,28	0,047



# Pool Fittings

## WIDE MOUTH SKIMMER ABS

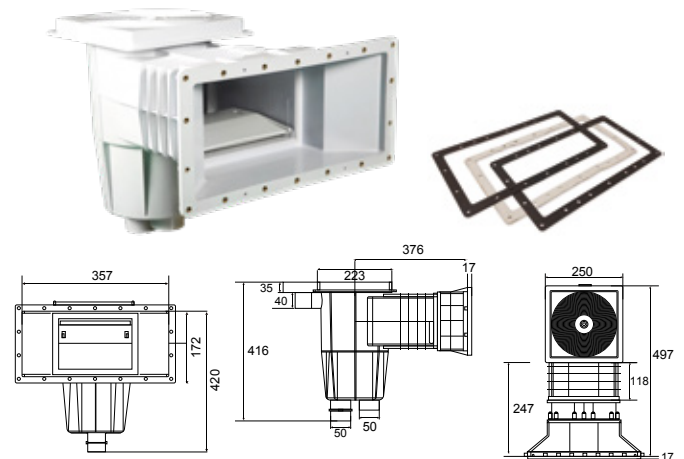
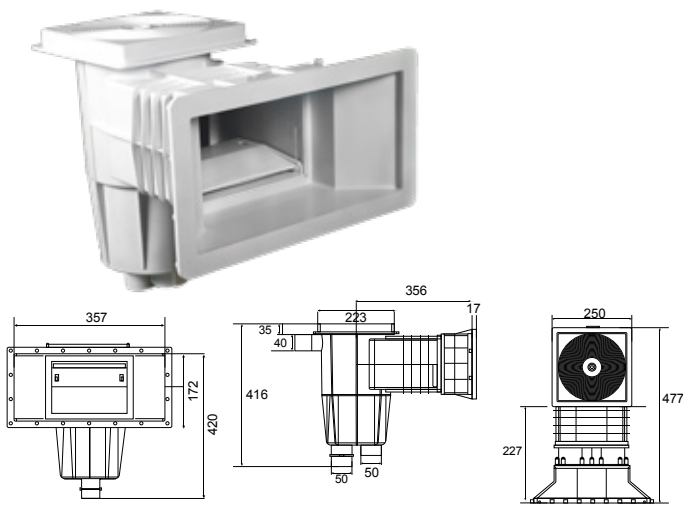
### Wide Mouth Skimmer ABS

Manufactured in UV treated white ABS with top square lid and frame. With flap and flow regulation plug. Supplied with extra strong plastic basket with handle. Skimmer has an option of 3 connection sizes: 1½" internal threaded, 2" threaded and 50mm diameter for gluing. Overflow connection of 40mm diameter. Max. Recommended flow is 5m³/h. For optimum results it is recommended to use 1 skimmer per 25m² of pool surface area. The skimmer suction can also be used for vacuum cleaning the pool floor.

### Wide Mouth Skimmer for concrete

### Wide Mouth Skimmer for Liner

Supplied with double elastic adhesive gasket, flange and screws for liner fixing.



Code	Description	Weight	Volume
		kg	m³
01590020	Skimmer Wide Mouth ABS Concrete	4,47	0,12

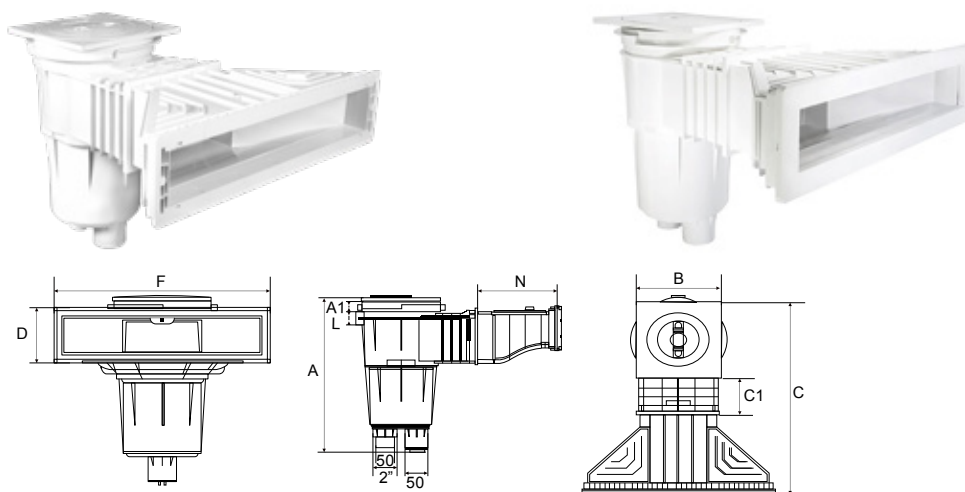
Code	Description	Weight	Volume
		kg	m³
01591022	Skimmer Wide Mouth ABS Liner	5,09	0,12

### Atecpool Euro Skimmer ABS - Concrete and Liner

New range of skimmer 17.5L with recommended flow of 7.5 m³/h. UV treated white ABS with top square lid and frame. With flap and flow regulation plug. Supplied with extra strong plastic basket with handle. Skimmer has an option of 3 connection sizes: 1½" internal threaded, 2" threaded and 50mm diameter for gluing. Overflow connection of 40mm diameter. For optimum results it is recommended to use 1 skimmer per 25m² of pool surface area.

### Skimmer for concrete

### Skimmer for liner



**Concrete:** Euro ABS skimmer w/ Square Frame and round lid for concrete pool.  
**Liner:** Euro ABS skimmer w/ Brass Inserts for screws, Square Frame and round lid for liner.

Code	Description	A	A1	B	C	C1	D	F	L	N	Weight	Volume
		mm									kg	m³
0159222	Euro Skimmer ABS Concrete	470	44	250	620	120	137	551	32	250	5,3	183
0159227	Euro Skimmer ABS Liner	470	44	250	630	120	137	551	32	265	5,8	183

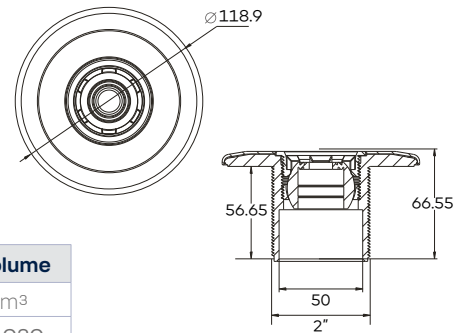
# Pool Fittings

## RETURN INLETS ABS

### Return Inlet ABS Threaded - 2"

Made in white ABS with 2" outer connection thread and Ø50 mm inner wall for concrete pools. Installed with female threaded wall conduits. Maximum Flow: 7 m<sup>3</sup>/hr. Recommended maximum flow velocity 4m/s.

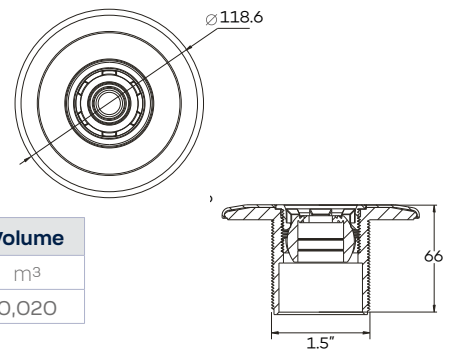
Code	Description	Std packing	Volume
			m <sup>3</sup>
01592828-2	Return Inlet ABS threaded 2"	24	0,020



### Return Inlet ABS Threaded - 1.5"

Made in white ABS with 1.5" outer connection thread for concrete pools. Installed with female threaded wall conduits. Maximum Flow: 7 m<sup>3</sup>/hr. Recommended maximum flow velocity 4m/s.

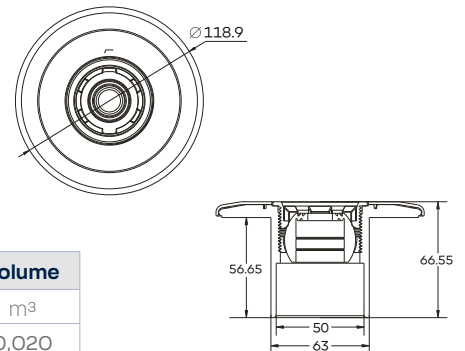
Code	Description	Std packing	Volume
			m <sup>3</sup>
01592828-4	Return Inlet ABS threaded 1.5"	24	0,020



### Return Inlet ABS Slip Fit

Made in white ABS with Ø63 mm outer connection and Ø50 mm inner wall for concrete pools. Installed with internal glue type wall conduits. Maximum Flow: 7 m<sup>3</sup>/hr. Recommended maximum flow velocity 4 m/s.

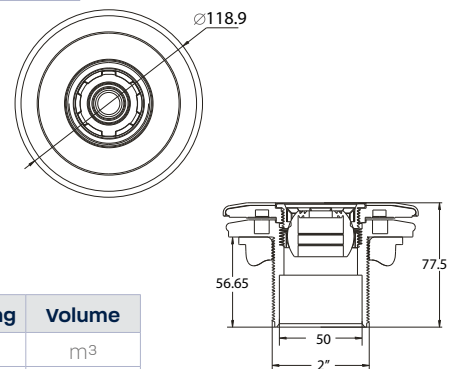
Code	Description	Std packing	Volume
			m <sup>3</sup>
01592828	Return Inlet ABS Slip Fit	24	0,020



### Return Inlet ABS Threaded for Liner

Made in white ABS with 2" outer connection thread and Ø50 mm inner wall for liner pools. Supplied with gasket, screws and nut for liner fixing. Installed with female threaded wall conduits. Maximum Flow: 7 m<sup>3</sup>/hr. Recommended max. flow velocity 4 m/s.

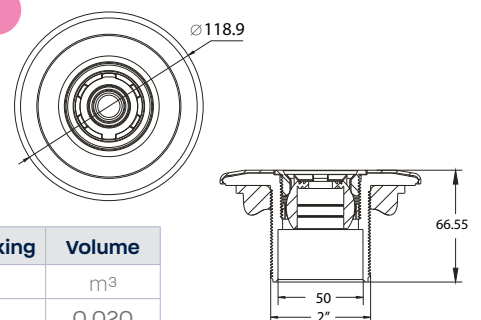
Code	Description	Std packing	Volume
			m <sup>3</sup>
01592828-3	Return Inlet ABS Threaded for Liner	12	0,020



### Return Inlet ABS Threaded for Prefabricated

Made in white ABS with 2" outer connection thread and Ø50 mm inner wall for prefab pools. Supplied with gasket and rear nut for prefab pool fixing. Installed with female threaded wall conduits. Maximum Flow: 7 m<sup>3</sup>/hr. Recommended max. flow velocity 4 m/s.

Code	Description	Std packing	Volume
			m <sup>3</sup>
01592836	Return Inlet ABS Threaded for Prefab	12	0,020



# Pool Fittings

## RETURN INLETS ABS



### Return Fittings 2" Family 2100

Code	Reference	Description	Nominal flow rate m³/h
42610000	RB-318	Return fitting with grate, Ø 63 solvent, concrete pools	11



### Return Fittings 2" Family 2100

Code	Reference	Description	Nominal flow rate m³/h
42010000	RL-319	Return fitting with grate, Ø 63 solvent, liner pool	11

### Flanges, gratings and gaskets for return fittings r1319 Family 2100



White	Light blue	Blue grey	Dark blue
42010004	42010104	42010214	42010204



Beige	Rope	Grey	Taupe	Argile	Anthracite grey	Black
42010504	42010964	42010804	42010114	42010414	42010704	42010904



### Return Fittings Family 2100

	Code	Reference	Description	Nominal flow rate m³/h
1	42200000	RL-313	Return fitting only, with barrel union and seal, liner/panel pools *	7
2	42029007	RL-332	Liner/insert outlet body, unit	7
3	42030007		23mm adjustable jet + white flange	7

# Pool Fittings

## RETURN INLETS ABS



### Return Fittings Family 2100

	Code	Reference	Description	Nominal flow rate m <sup>3</sup> /h
1	42030004	RL-327	Adjustable jet for 23 mm nozzle, white, BWT	7
			Pack of 20, each	7
2	42400000		RL326 shell pool return, white	

### Return fitting 23 mm, Flanges and gaskets Family 2100



White	Light blue	Blue grey	Dark blue
42030007	42030107	42030607	42030207



Beige	Rope	Grey	Taupe	Argile	Anthracite grey	Black
42030507	42039607	42030807	42030307	42039507	42030707	42030907

### Return fitting 23 mm directional jet Family 2100



White	Light blue	Blue grey	Dark blue
42030004	42030104	42030214	42030204



Beige	Rope	Grey	Taupe	Argile	Anthracite grey	Black
42030504	42030196	42030804	42030114	42030414	42030704	42030904

### Return fitting 12 mm directional jet Family 2100



White	Beige	Rope	Grey	Anthracite grey
42220004	42225504	42229604	42225804	42225704

# Pool Fittings

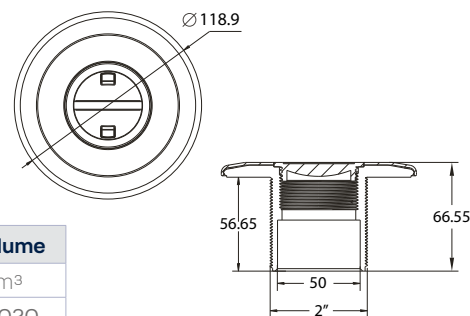
## SUCTION INLETS ABS



### Suction Inlet ABS Threaded - 2"

Made in white ABS with 2" outer connection thread and Ø50 mm inner wall for concrete pools. Installed with female threaded wall conduits. Supplied with threaded plug of 1½". Maximum pressure: 6 Bar.

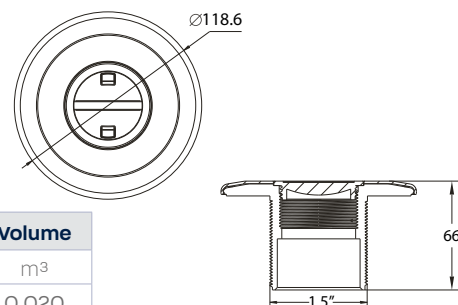
Code	Description	Std packing	Volume
			m <sup>3</sup>
01592827-2	Suction Inlet ABS threaded 2"	24	0,020



### Suction Inlet ABS Threaded - 1.5"

Made in white ABS with 1.5" outer connection threaded for concrete pools. Installed with female threaded wall conduits. Supplied with threaded plug of 1½". Maximum pressure: 6 Bar.

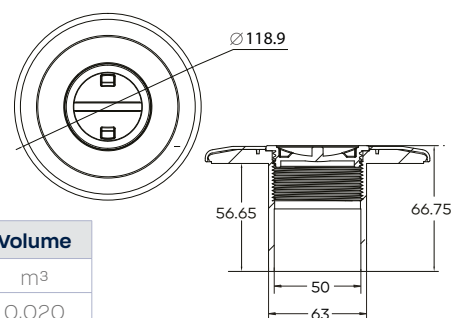
Code	Description	Std packing	Volume
			m <sup>3</sup>
01592827-5	Suction Inlet ABS threaded 1,5"	24	0,020



### Suction Inlet ABS Slip Fit

Made in white ABS with Ø63 mm outer connection and Ø50 mm inner wall for concrete pools. Installed with internal glue type wall conduits. Supplied with threaded plug of 1½". Max pressure: 6 Bar.

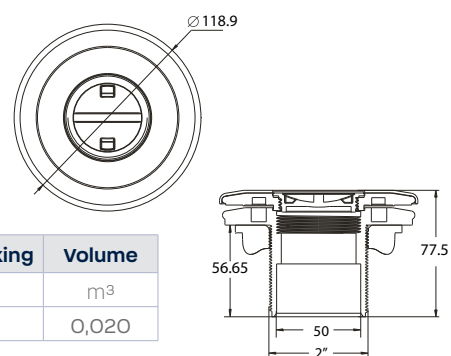
Code	Description	Std packing	Volume
			m <sup>3</sup>
01592827	Suction Inlet ABS Slip Fit	24	0,020



### Suction Inlet ABS Threaded for Liner

Made in white ABS with 2" outer connection thread and Ø50 mm inner wall for liner pools. Supplied with gasket, screws and nut for liner fixing. Installed with female threaded wall conduits. Threaded plug of 1½". Maximum pressure: 6 Bar.

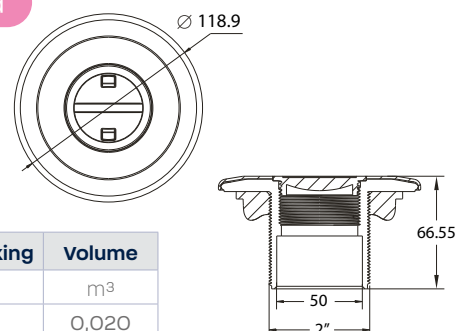
Code	Description	Std packing	Volume
			m <sup>3</sup>
01592827-4	Suction Inlet ABS Threaded for Liner	12	0,020



### Suction Inlet ABS Threaded for Prefabricated

Made in white ABS with 2" outer connection thread and Ø50 mm inner wall for prefabricated pool. Installed with female threaded wall conduits. Threaded plug of 1½". Supplied with gasket and rear nut for prefab fixing. Maximum pressure: 6 Bar.

Code	Description	Std packing	Volume
			m <sup>3</sup>
01592827-3	Suction Inlet ABS threaded for Prefab	12	0,020



# Pool Fittings

## SUCTION INLETS ABS



### Suction Fittings Family 2100

	Code	Reference	Description
1	42010007	RL-336	BWT Brush Socket Trim Cap + Flange, White Liner/Insert, Unit, BWT
2	42029007		Liner/Insert discharge body, each



### Suction Point Family 2100

	Code	Reference	Description
1	42400000	RL-328	RL326 shell pool return, white
1			Pack of 20, each
2	42460000		White broom socket cover cap

### Suction fitting blanking cap, flanges and gaskets Family 2100



White	Light blue	Blue grey	Dark blue
42010007	42010107	42010607	42010207



Beige	Corde	Grey	Taupe	Argile	Anthracite grey	Black
42010507	42019607	42010807	42010307	42019507	42010707	42010907

### Suction fitting blanking cap Family 2100



White	Light blue	Blue grey	Dark blue
48019000	48019100	48019210	48019200



Beige	Corde	Grey	Taupe	Argile	Anthracite grey	Black
48019500	48019960	48019800	48019110	48019410	48019700	48019900

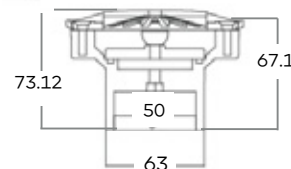
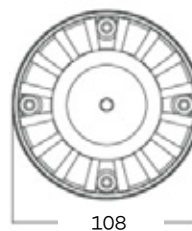
# Pool Fittings

## ABS INLETS



### Floor Inlet ABS Slip Fit

Made in white ABS with Ø63 mm outer connection and Ø50mm inner wall and screws in stainless steel. Its unique design permits 360° dispersion of fresh water in the pool. Max. Recommended flow rate: 12m<sup>3</sup>/h, flow rate can be manually regulated with the help of an adjustable screw fitted on top centre of the inlet.

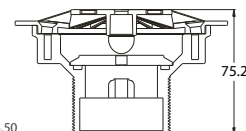
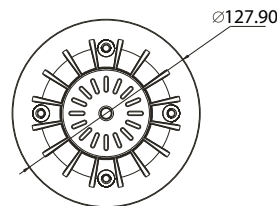


Code	Description	Std packing	Volume
			m <sup>3</sup>
01592825	Floor Inlet ABS Slip Fit	24	0,020



### Floor Inlet ABS threaded

Made in white ABS with 2" outer connection thread and Ø50 mm inner wall. Max. recommended flow rate: 12m<sup>3</sup>/h. Its unique design permits 360° dispersion of fresh water in the pool.

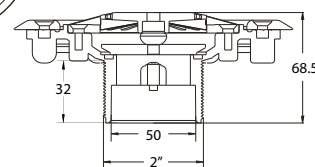
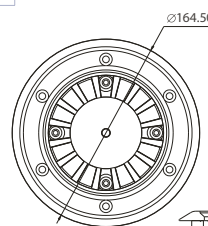


Code	Description	Std packing	Volume
			m <sup>3</sup>
01592825-2	Floor Inlet ABS Threaded	24	0,020



### Floor Inlet ABS threaded for Liner

Made in white ABS with 2" outer connection thread and Ø50 mm inner wall. Supplied with gaskets, flanges and screws for Liner fixing. Max. Recommended flow rate: 12m<sup>3</sup>/h, flow rate can be manually regulated with the help of an adjustable screw fitted on top centre of the inlet.

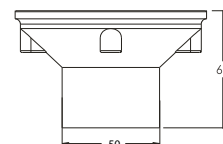
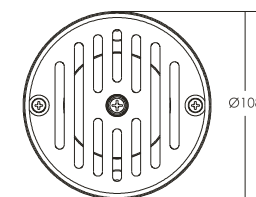


Code	Description	Std packing	Volume
			m <sup>3</sup>
01592825-1	Floor Inlet ABS Threaded for Liner	12	0,020



### Wall Return Inlet ABS Slip Fit

Made in white ABS with Ø50 mm outer connection. Max recommended flow rate: 9m<sup>3</sup>/h.



Code	Description	Std packing	Volume
			m <sup>3</sup>
01592829	Wall Return Inlet ABS Slip Fit	12	0,020

## Wall Conduits

### Wall Conduit ABS Threaded



Made of grey ABS, length 300mm. 2" female and male thread connection. Used with threaded mini dichro lights and threaded inlets. 2 holes for taut positioning in the concrete.

### Wall Conduit ABS Slip Fit



Made of grey ABS, length 300 mm. 2" rear male thread and Ø63 mm smooth inner wall for gluing slip fit inlets and mini dichro lights. 2 holes for taut positioning in the concrete.

Code	Description	Std packing	Weight
			kg
01592840	Wall Conduit 2" Threaded	12	3,0

Code	Description	Std packing	Weight
			kg
01592840-1	Wall Conduit 63mm Glue	12	3,0

# Pool Fittings

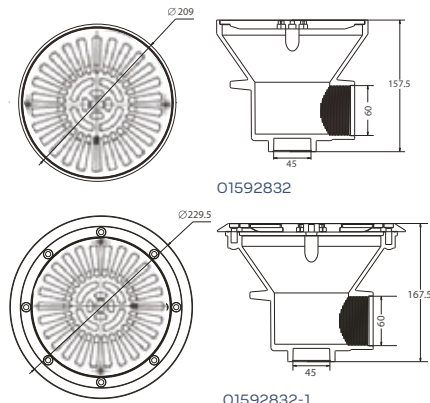
## MAIN DRAINS

### Circular Main Drain



Circular main drain in UV treated white ABS Ø210 mm, 2" threaded side outlets, grill fitted with screws. Max flow rate 12 m<sup>3</sup>/hr, designed for surface suction velocity not exceeding 0.5 m/s. For liner model supplied with self-adhesive gaskets, flange and screws.

Code	Description	Std packing	Weight
			kg
01592832	Circular Main Drain Concrete	1	0,6
01592832-1	Circular Main Drain Liner	1	0,6

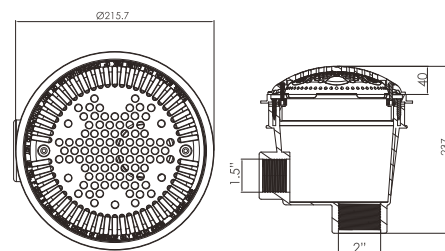


### Anti-Entrapment Main Drain



Circular main drain in UV treated white ABS Ø215,7 mm, 2" threaded side outlets, anti-entrapment main drain grill fitted with screws. Max flow rate 13 m<sup>3</sup>/hr, designed for surface suction velocity not exceeding 0.5 m/s. For liner model supplied with self-adhesive gaskets, flange and screws.

Code	Description	Std packing	Weight
			kg
03100257	Circular Anti-Entrapment Drain Concrete	1	0,6
03100257-1	Circular Anti-Entrapment Drain Liner	1	0,6



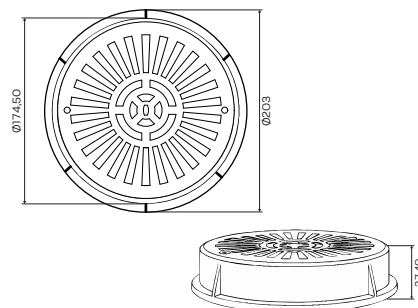
## Drain Grilles

### Circular Drain Grille ABS



Circular drain grille and ring support in white ABS. Ø203mm, supplied with fixing screws. Max flow rate 13 m<sup>3</sup>/hr.

Code	Description	Size	Std packing	Weight
		mm		kg
10534100	Circular Drain Grille ABS	Ø203	1	0,3

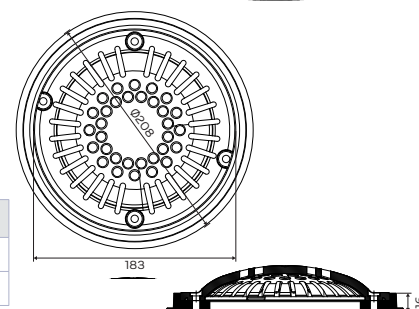


### Anti-Vortex Drain Grille ABS



Circular antivortex drain grille and ring support in white ABS. Ø208mm. Maximum flow rate 12 m<sup>3</sup>/hr.

Code	Description	Size	Std packing	Weight
		mm		kg
10532100	Antivortex Drain Grille ABS	Ø208	1	0,3

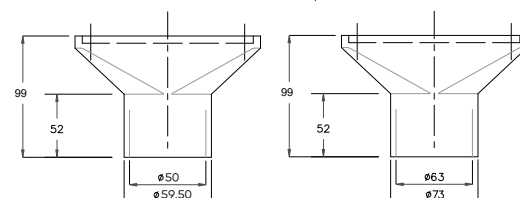
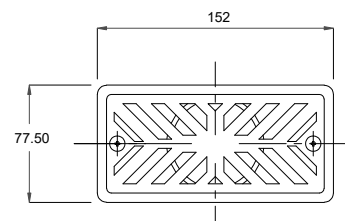


### Overflow Gutter Drain ABS



Overflow gutter drain made of white ABS plastic with SS screws. To be installed at the bottom of the overflow gutter. Two models available with Ø50mm and Ø63mm connections. To be glued to Ø50mm/ Ø63mm PN 10 pipe.

Code	Description	Std Packing	Volume
			m <sup>3</sup>
01592819	Overflow Gutter Drain 50mm	12	0,016
01592819-1	Overflow Gutter Drain 63mm	12	0,016



01592819 - ABS Grill

01592819-1 - ABS Grill

# Pool Fittings

## MAIN DRAINS



### Main drains

Family 2100 & Key product



	Code	Reference	Description	Nominal flow rate m <sup>3</sup> /h
1	41015000	BL-311	Main drain, lateral outlet Ø 50 mm or 63 mm, solvent, liner pools	15
	41012000	BL-211	Main drain, 2 outlets (2" and 50 mm solvent), liner pools	12
2	41013000	BL-211-L	Main drain, 2 outlets (2" and 1 1/2"), with cap and seal, liner pools	12



The BL-211 / BL-211-L model is anti-vortex

### Flanges, gratings and gaskets for main drains BL-211 / BB-210

Family 2100 & 2105



White	Light blue	Blue grey	Dark blue
41012004	41012104	41012214	41012204



Beige	Corde	Grey	Taupe	Argile	Anthracite grey	Black
41012504	41012964	41012804	41012114	41012414	41012704	41012904

### Flanges, gratings and gaskets for main drains BL-311

Family 2100 & 2105



White	Light blue	Blue grey	Dark blue
41010004	41015104	41015214	41015204



Beige	Corde	Grey	Taupe	Argile	Anthracite grey	Black
41015504	4105964	41015804	41015114	41015414	41015704	41015904

# Pool Fittings

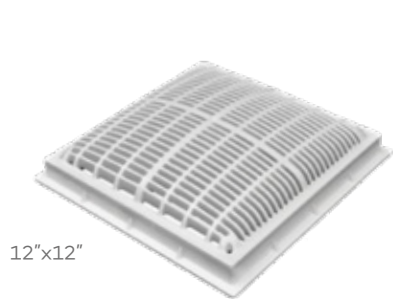
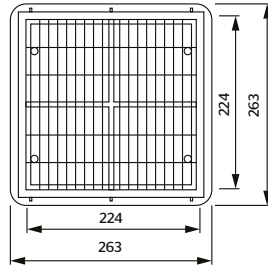
## ANTI-SUCTION FRAME AND GRATE

### Anti-Suction Frame and Grate ABS

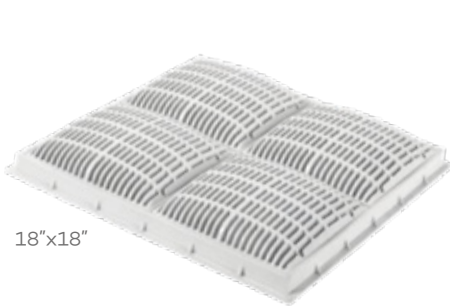
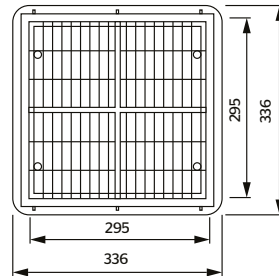
Square Frame and grate in UV treated white ABS for commercial pools. Available in three sizes. Anti-Suction, curved surface design. VGB compliant and tested to ANSI/APSP-7, 2006 standards. Designed for surface suction velocity not exceeding 0.5 m/s.



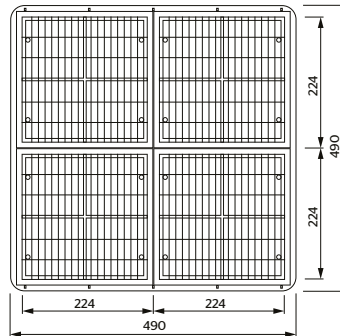
9"x9"



12"x12"



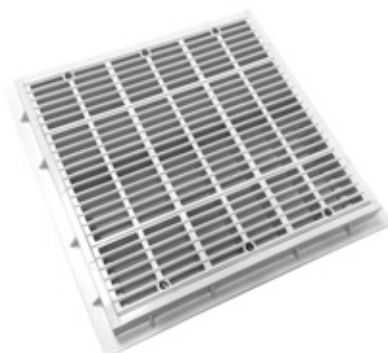
18"x18"



Code	Description	Flow Rate	Weight	Size	Volume
		m <sup>3</sup> /h	kg	mm	m <sup>3</sup>
01592813	Anti-Suction Frame and Grate 9"x9"	23	1,2	9"x9"	0,02
01592814	Anti-Suction Frame and Grate 12"x12"	56	1,6	12"x12"	0,02
01592815	Anti-Suction Frame and Grate 18"x18"	92	4,8	18"x18"	0,02

### Frame and Grate ABS

Square Frame and grate in UV treated white ABS for commercial pools. Available in two different sizes - 250 x 250 mm and 300 x 300 mm. Designed for surface suction velocity not exceeding 0.5 m/s.



Code	Description	Flow Rate	Weight	Size	Volume
		m <sup>3</sup> /h	kg	mm	m <sup>3</sup>
01592812	Frame and Grate 250 x 250mm	27	1,2	250 x 250	0,02
01592812-1	Frame and Grate 300 x 300mm	43	1,8	300 x 300	0,02



# Atecpool Stainless Steel Shell Fittings



01592858

01592862

01592859

## Return Inlet AISI 316

Direction-adjustable return inlet in polished stainless steel AISI 316 with outer thread with two connections - 1.5" and 2". Ø25 mm eyeball. 50mm male threaded length .AISI 316L upon request.

## Floor Inlet AISI 316

Adjustable floor return inlet made of polished stainless steel AISI 316 with 2" external thread. Max. recommended flow rate: 14m<sup>3</sup>/h, however, flow rate can be manually regulated with the help of an adjustable screw. AISI 316L upon request.

## Adjustable Return Inlet AISI 316

Direction-adjustable return inlet in polished stainless steel AISI 316 with outer thread with two connections - 1.5" and 2". Ø25 mm eyeball. 50mm male threaded length .AISI 316L upon request.

# Pool Fittings

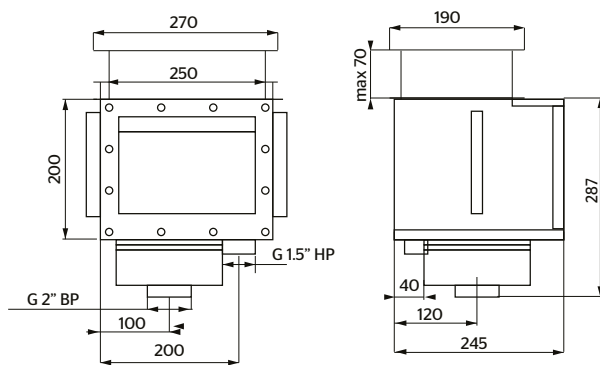
## SKIMMER AISI 316

### Skimmer AISI 316

#### Standard Skimmer AISI 316 - Concrete

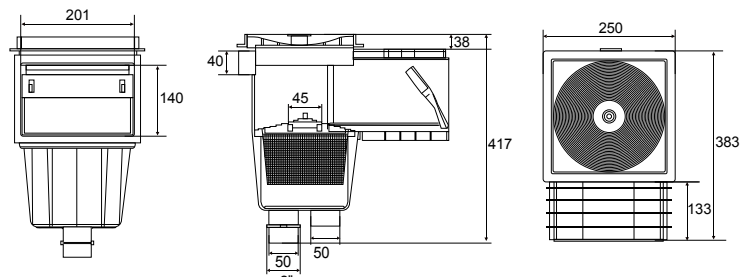
Made of stainless steel AISI 316, standard skimmer has internal threaded connection of 2". Recommended Flow is 8 m<sup>3</sup>/hr. Available for concrete installation.

Code	Description	Weight	Volume
		kg	m <sup>3</sup>
01592010	STD Skimmer AISI 316 Concrete	5,3	0,12



#### Standard Skimmer with SS Face Plate for concrete

Manufactured in UV treated white ABS with SS face plate in AISI 316. Supplied with top square lid and frame. With flap and flow regulation plug. Supplied with extra strong plastic basket with handle. Skimmer has 3 optional connections for bottom suction. 1 1/2" internal thread, 2" outer thread and Ø50 mm inner wall for gluing. Recommended flow is 5m<sup>3</sup>/h. For optimum results it is recommended to use 1 skimmer per 25m<sup>2</sup> of pool surface area. The skimmer suction can also be used for vacuum cleaning the pool floor.



Code	Description	Weight	Volume
		kg	m <sup>3</sup>
015901010	Standard Skimmer ABS with SS Face plate concrete	3,75	0,062

# Pool Fittings

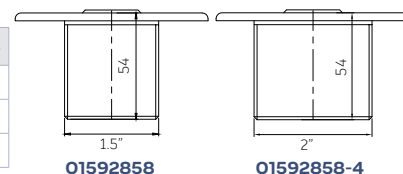
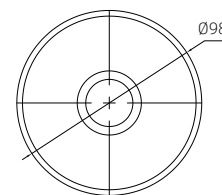
## SS INLETS

### Return Inlet AISI 316



Direction-adjustable return inlet in polished stainless steel AISI 316 with outer thread with two connections - 1.5" and 2". Ø25 mm eyeball. 50mm male threaded length .AISI 316L upon request.

Code	Description	Flow rate	Weight	Volume
		m <sup>3</sup> /h	kg	m <sup>3</sup>
01592858	Return Inlet AISI 316 1,5"	7	0,30	0,001
01592858-4	Return Inlet AISI 316 2"	7	0,66	0,001

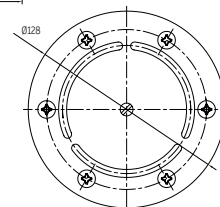
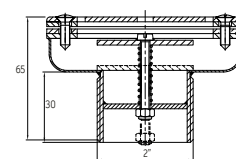


### Floor Inlet AISI 316



Adjustable floor return inlet made of polished stainless steel AISI 316 with 2" external thread. Max. Recommended flow rate: 14m<sup>3</sup>/h, however, flow rate can be manually regulated with the help of an adjustable screw. AISI 316L upon request.

Code	Description	Length	Weight	Volume
		mm	kg	m <sup>3</sup>
01592862	Floor Inlet AISI 316	50	0,90	0,002

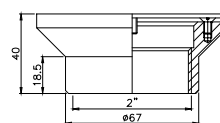


### Adjustable Return Inlet AISI 316

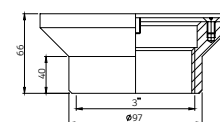
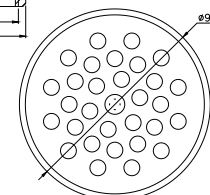


Adjustable Return Inlet in AISI 316. Flow rate can be manually regulated with the help of an adjustable screw. Available in two female threaded connections. Maximum flow rate for 2" female threaded 21.5 m<sup>3</sup>/hr. Maximum flow rate for 3" female threaded 40 m<sup>3</sup>/hr. AISI 316L upon request.

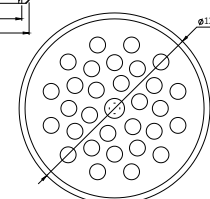
Code	Description	Flow rate	Weight	Volume
		m <sup>3</sup> /h	kg	m <sup>3</sup>
01592859	Adjustable Return Inlet 2"	21,5	0,7	0,002
01592861	Adjustable Return Inlet 3"	40	1,1	0,003



01592859



01592861

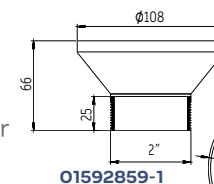


### Adjustable Floor Return Inlet

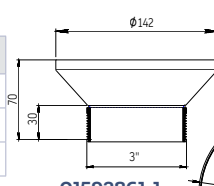
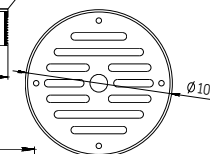


Adjustable Floor Return Inlet in AISI 316. Flow rate can be manually regulated with the help of an adjustable screw located underneath the front cover. Available in two male threaded connections. Maximum flow rate for 2" male threaded 22 m<sup>3</sup>/hr. Maximum flow rate for 3" male threaded 42 m<sup>3</sup>/hr. AISI 316L upon request.

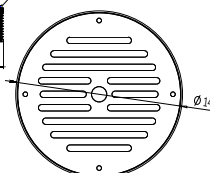
Code	Description	Flow rate	Weight	Volume
		m <sup>3</sup> /h	kg	m <sup>3</sup>
01592859-1	Adjustable Floor Inlet 2"	22	0,7	0,002
01592861-1	Adjustable Floor Inlet 3"	42	1,1	0,003



01592859-1



01592861-1



# Pool Fittings

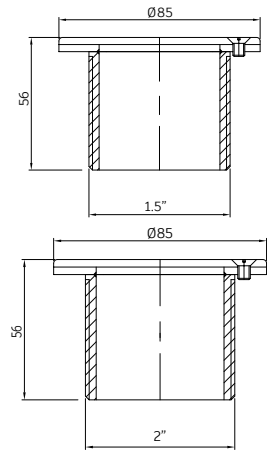
## SS INLETS AND DRAIN



### Suction Inlet AISI 316

Suction inlet in polished stainless steel AISI 316 with outer thread with two connections - 1.5" and 2". Length 50 mm, supplied with cover. AISI 316L upon request.

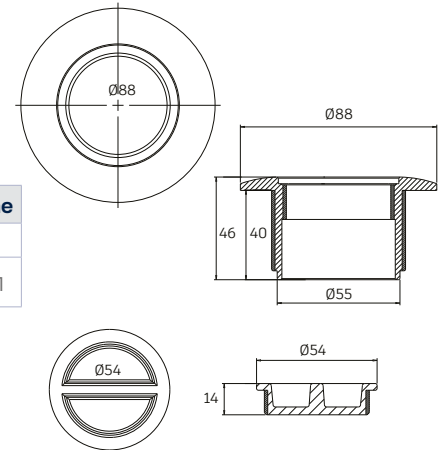
Code	Description	Length	Weight	Volume
		mm	kg	m <sup>3</sup>
01592860	Suction Inlet AISI 316 1,5"	50	0,30	0,001
01592860-4	Suction Inlet AISI 316 2"	50	0,42	0,001



### Suction Inlet with threaded cover AISI 316

Suction inlet in polished stainless steel AISI 316 with outer thread 2". Length 40 mm, supplied with threaded cover. AISI 316L upon request.

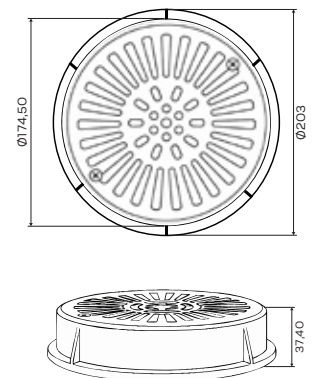
Code	Description	Length	Weight	Volume
		mm	kg	m <sup>3</sup>
01592860-1	Suction Inlet threaded cover AISI 316	40	0,30	0,001



### Circular Drain with S.S. Grille

Support ring in UV treated white ABS, circular grille Ø203mm made of stainless steel AISI 316. Supplied with grille fixing screws. Recommended flow rate 13 m<sup>3</sup>/hr.

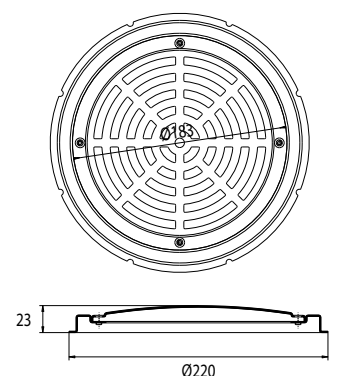
Code	Description	Size	Std packing	Weight
		mm		kg
10532116	Circular Drain with SS Grille	Ø203	1	1,2



### Anti-Vortex Drain Grille AISI 316

Support ring and circular grille Ø220mm made of stainless steel AISI 316. Supplied with grille Ø183mm and fixing screws. Recommended flow rate 14 m<sup>3</sup>/hr. AISI 316L upon request.

Code	Description	Size	Std packing	Weight
		mm		kg
10532115	Anti-Vortex Drain Grille AISI 316	Ø220	1	1,5



# Pool Fittings

## SS ANTI-SUCTION FRAME AND GRATE



### Frame and Grate Stainless Steel

Square Frame and grate in polished Stainless steel AISI 316 for concrete pools. Available in four standard sizes, other sizes can be made upon request. AISI 316L upon request

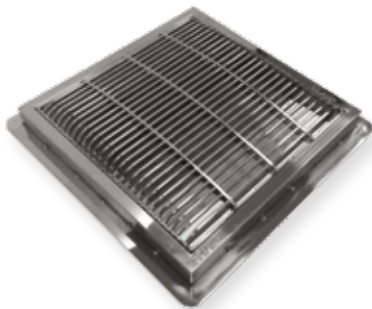
Code	Description	Flow Rate	Weight	Size	Volume
		m <sup>3</sup> /h	kg	mm	m <sup>3</sup>
10528901	SS Frame and Grate 250 x 250mm	27	1,5	250 x 250	0,0033
10528121	SS Frame and Grate 300 x 300mm	43	2,2	300 x 300	0,0041
10528181	SS Frame and Grate 400 x 400mm	83	4	400 x 400	0,0059
10528182	SS Frame and Grate 500 x 500mm	136	4,5	500 x 500	0,0100



### Anti-Vortex Frame and Grate AISI 316

Made of AISI 316 stainless with anti-vortex grille. Supplied with grille fixing screws. Special sizes on request. AISI 316L upon request

Code	Description	Flow Rate	Weight	Size	Volume
		m <sup>3</sup> /h	kg	mm	m <sup>3</sup>
10528902	SS Frame and Grate AV 250 x 250mm	24	1,5	250 x 250	0,0033
10528130	SS Frame and Grate AV 300 x 300mm	41	2,2	300 x 300	0,0041
10528140	SS Frame and Grate AV 400 x 400mm	79	4	400 x 400	0,0059
10528150	SS Frame and Grate AV 500 x 500mm	128	4,5	500 x 500	0,0100



### Anti-Suction Frame and Grate AISI 316

Anti-Suction, curved surface design. VGB compliant. Made of AISI 316 stainless with curved grille. Supplied with grille fixing screws. Available in three different sizes. Frame height is 30mm. AISI 316L upon request

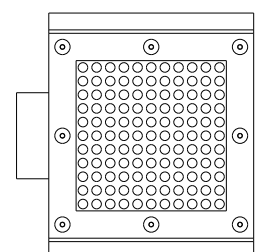
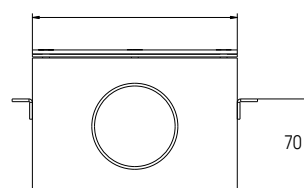
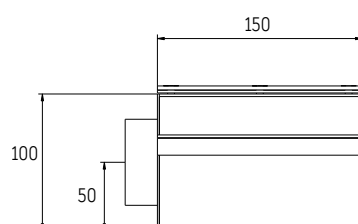
Code	Description	Flow Rate	Weight	Size	Volume
		m <sup>3</sup> /h	kg	mm	m <sup>3</sup>
10528122	Anti-Suction SS Frame & Grate 300 x 300mm	41	5,5	300 x 300	0,0041
10528183	Anti-Suction SS Frame & Grate 400 x 400mm	80	7,2	400 x 400	0,0059
10528184	Anti-Suction SS Frame & Grate 500 x 500mm	132	8,5	500 x 500	0,0100



### Square Main Drain AISI 316

Made of stainless steel AISI 316, square main drain 150 x 150 mm, 100mm height, 2" female threaded side connection. Grille 146 x 146 mm fixing using screws. Flow rate: 13.5 m<sup>3</sup>/hr.

Code	Description	Std packing	Weight
			kg
03100259S	Square Main Drain AISI 316	1	3



# Pool Fittings

## SS CONDUITS AND OVERFLOW DRAIN



### Stainless Steel Wall Conduits

Made in AISI 316. Connection 2" female and male threaded on either ends.

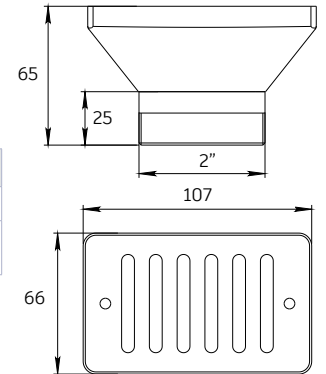
Code	Description	Std packing	Weight
			kg
01592865	Wall Conduit AISI 316 2" Threaded	1	3.0



### Overflow Gutter Drain AISI 316

Made of stainless steel AISI 316. 2" male connection.

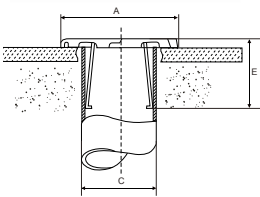
Code	Description	Connections	Flow Rate	Weight	Volume
		inch	m <sup>3</sup> /h	kg	m <sup>3</sup>
03100282-1	Gutter Drain 2" AISI 316	2"	7	1,2	0,009



### Gutter Drain with Clamp AISI 316

Made of stainless steel AISI 316 with clamp for fixing inside the pipe. Available in Ø130mm.

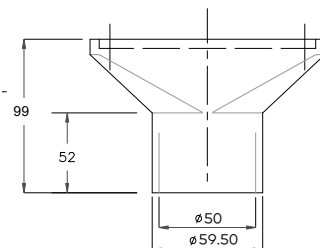
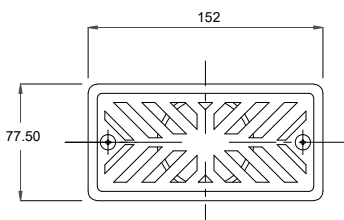
Code	Description	Dimensions		Conn.	Flow Rate	Weight	Volume
		(mm)		mm	m <sup>3</sup> /h	kg	m <sup>3</sup>
		ØA	E	ØC			
03100282	Gutter Drain 130mm w/ clamp	130	75	90 - 75	22	0,9	0,009



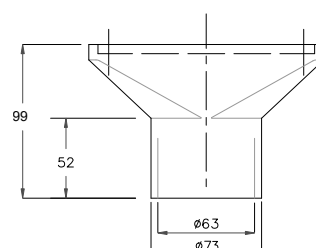
### Overflow Gutter Drain with SS Grille

Overflow Gutter Drain made of white ABS with stainless steel AISI 316 grille, fixed with screws. 50mm with flow rate 4.5 m<sup>3</sup>/hr and 63mm with a flow rate of 7 m<sup>3</sup>/hr.

Code	Description	Weight	Volume
		kg	m <sup>3</sup>
01592820	Gutter Drain with SS Grille 50mm	0,5	0,0002
01592820-1	Gutter Drain with SS Grille 63mm	0,6	0,0002



01592820 - SS Grill



01592820-1 - SS Grill

# Atecpool Counter Current Nozzle

## COUNTER CURRENT EQUIPMENT

Atecpool Jet Stream Nozzle in stainless steel AISI 316



**AT019S**

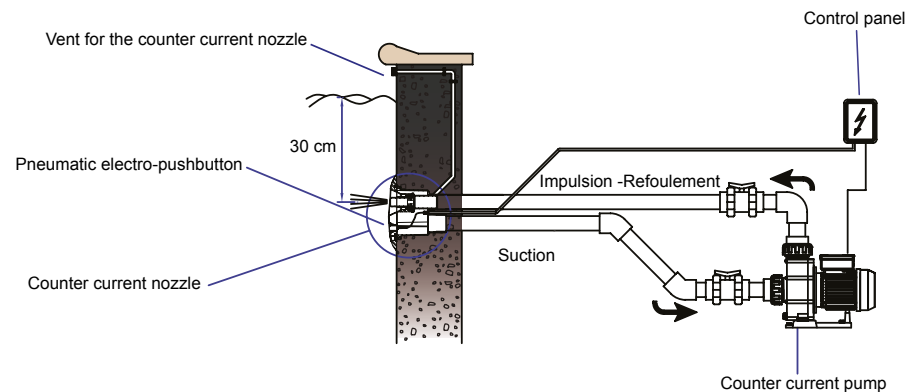


**AT020S**

Atecpool Jet stream Nozzle in Stainless steel construction, highly competitive in hydraulic performance. The Jet swim pump is activated via the pneumatic switch. Wall mounted assembly with handle semi-circular, the regulator forces the impact of the water jet into nozzle of 35mm. Installation of Atecpool Jet Stream Nozzle is hassle free with inlet outlet connections on the rear end. The center of the Jet stream housing must be 175 mm below the water surface. The stainless steel front plate is installed after the casting.

Code	Description	Dimensions	Pipe connection	Flow Rate	Materials
		mm		m <sup>3</sup> /h	
<b>AT019S</b>	Double Jet stream nozzle 35mmx2 - Round shape	Ø 313	2,5"	70	SS AISI 316
<b>AT020S</b>	Double Jet stream nozzle - Rectangular shape	500x280	2,5"	70	SS AISI 316

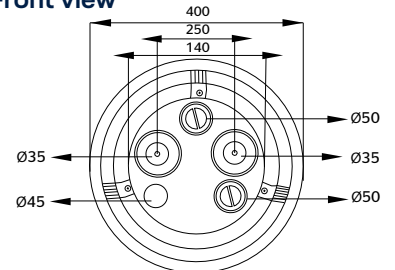
Atecpool Counter Current Nozzle ABS made entirely of white ABS, totally resistant to UVA rays and the harsh chemicals generally used in swimming pools. Built-in pneumatic push button to operate in relay with the pump's control box, (AT034, AT035, AT036). Directional jet, venturi outlet, connections.



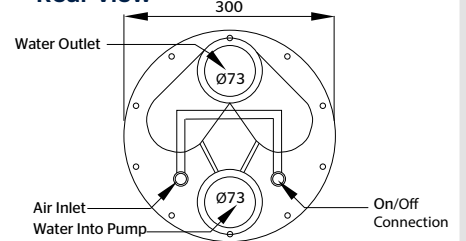
Code	Pool	Dimensions									Weight
		A	B	D	E	F	G	H	I	J	
<b>AT034</b>	Concrete	390	310	Ø 20.5	Ø 90	Ø 75	41	255	43.5	Ø 278	2,5

Safety: The Jet is strong, do not go closer than 0,4 m from the outlet. Small children to be accompanied by adults while Counter Current Jet in operation.

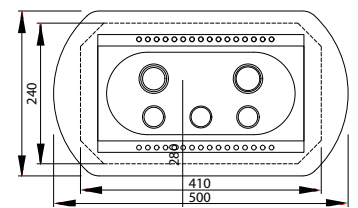
**Front view**



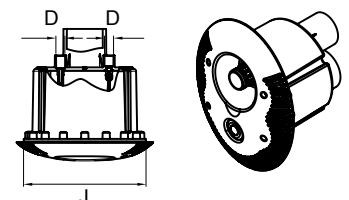
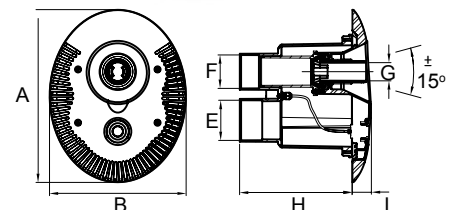
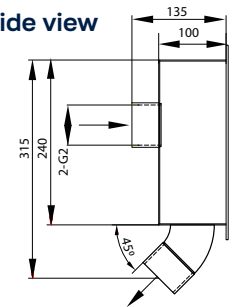
**Rear view**



**Front view**



**Side view**



# AtecPool Spa Fittings & Accessories



00590060

## Adjustable Jet Ø 1" x 1" Chrome

Made of White ABS with Chrome front finish for perfect gluing to PVC pipes. Ø1" water inlet and air inlet. Flow 2.2m<sup>3</sup>/hr. Unique design permits for a combination of air and water massage by way of a venture system, atmospheric pressure at 0.8 bar.



13102007

## Front Access Spa Skimmer

Front access square spa skimmer intergrated with catridge filter and a socket to connect 2" or 1.5" pipe. Options available with single or double 10 sq.ft catridge filters.



00590027

## Spa Main Drain 2"

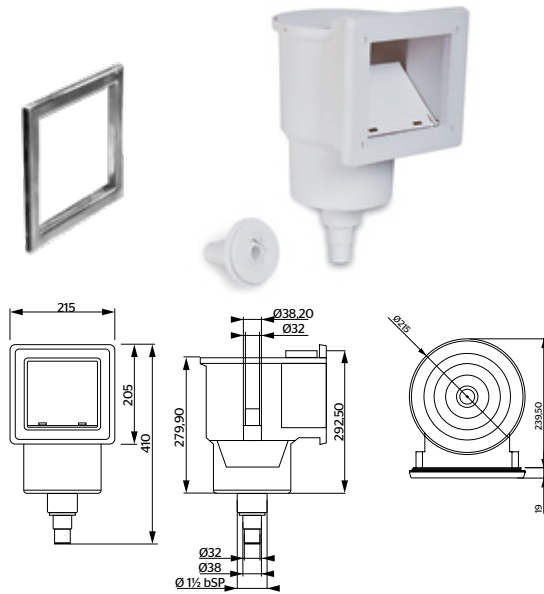
Made of White PVC with adaptor union for gluing to PVC pipe. Can be used for concrete and pre-fabricated pools. Also available with S.S. AISI 316 drain grille. Connection 2". Max flow rate 12 m<sup>3</sup>/hr, designed for surface suction velocity not exceeding 0.5 m/s.

# Spa Fittings

## SPA ACCESSORIES

### Spa Skimmer ABS Ø32mm

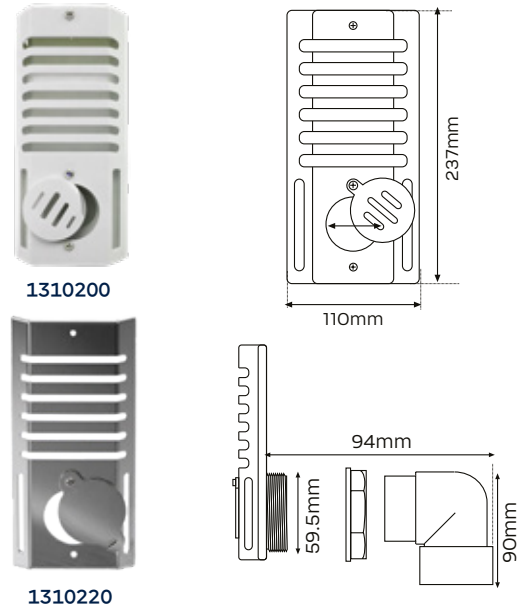
SPA Skimmer in UV treated white ABS with Nozzle. Can be used for Concrete and Liner. Connection Ø32 mm. Supplied with a spa nozzle. Used in above ground pool with nozzle.



Code	Description	Weight	Volume
		kg	m <sup>3</sup>
13101001	SPA Skimmer ABS with Nozzle Ø32mm	2,10	0,02
13101001-1	SPA Skimmer ABS with SS Face plate w/Nozzle Ø32mm	2,60	0,02

### Strip Skimmer in ABS/SS

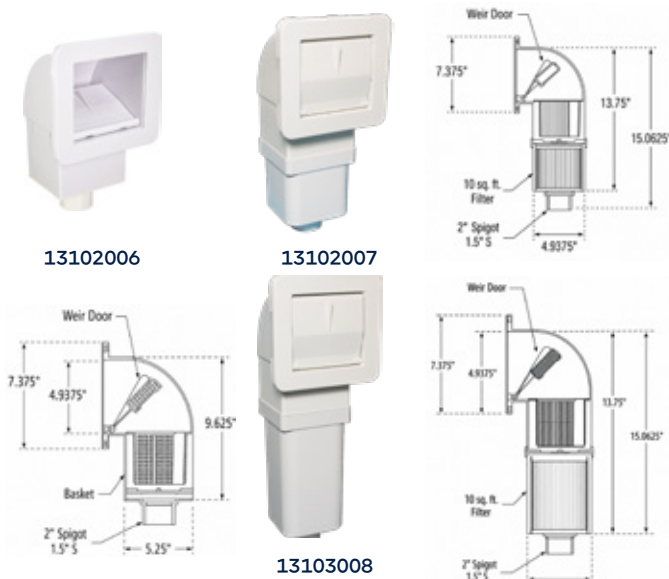
Strip skimmer assembly includes skimmer grille, rounded grille, straight nut, elbow fitting.



Code	Description	Dimensions	Depth
		(LxW) mm	mm
1310200	ABS Strip skimmer	237x110	25
1310220	SS Strip skimmer	237x110	25

### Front Access Spa Skimmer/Skim Filters

Front access square spa skimmer in ABS, the model is further integrated with cartridge filter and a socket to connect 2" or 1.5" pipe. Options available with single or double 10 sq.ft cartridge filters.



Code	Description
13102006	Front access spa skimmer
13102007	Front access skim filter with single cartridge
13103008	Front access skim filter with double cartridge

### Spa Main Drain 2"

Made of White PVC with adaptor union for gluing to PVC pipe. Can be used for concrete and pre-fabricated pools. Also available with S.S. AISI 316 drain grille. Connection 2". Max flow rate 12 m<sup>3</sup>/hr, designed for surface suction velocity not exceeding 0.5 m/s.



Code	Description	Weight	Volume	Std Packing
		kg	m <sup>3</sup>	
00590024	SPA Drain 2" ABS	2,92	0,0098	6
00590027	SPA Drain 2" ABS with S,S, Grille	4,53	0,0098	6

# Spa Fittings

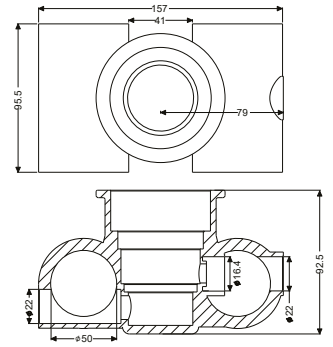
## SPA ACCESSORIES

### Adjustable Jet Ø50x50



Made of white ABS for perfect gluing to PVC pipes. 50mm water inlet and air inlet. Flow – 4.5 m<sup>3</sup>/hr. Unique design permits for a combination of air and water massage by way of a venture system. Atmospheric Pressure at 0.8 bar. Available with SS AISI 316 trim.

Code	Description	Weight	Volume	Std Packing
		kg	m <sup>3</sup>	
00590050	JET 50X50mm ABS	6,92	0,027	25
00590057	JET 50X50mm ABS with S.S Trim	9,92	0,028	25

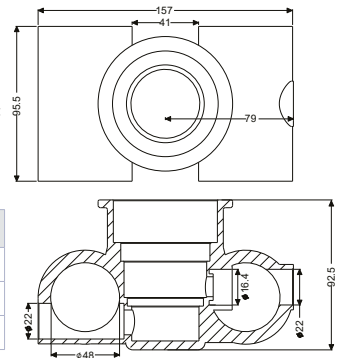


### Adjustable Jet Ø 1.5" x 1.5"



Made of white ABS for perfect gluing to PVC pipes. Ø50mm water inlet and air inlet. Flow – 4.5 m<sup>3</sup>/hr. Unique design permits for a combination of air and water massage by way of a venture system. Atmospheric Pressure at 0.8 bar. Available with SS AISI 316 trim.

Code	Description	Weight	Volume	Std Packing
		kg	m <sup>3</sup>	
00590055	JET 1,5"X1,5" ABS	5,82	0,026	25
00590059	JET 1,5"X1,5" ABS with S.S Trim	9,02	0,028	25

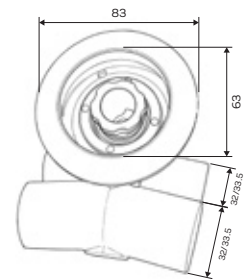


### Adjustable Jet Ø 1" x 1" Chrome



Made of White ABS with Chrome front finish for perfect gluing to PVC pipes. Ø1" water inlet and air inlet. Flow 2.2m<sup>3</sup>/hr. Unique design permits for a combination of air and water massage by way of a venture system, atmospheric pressure at 0.8 bar.

Code	Description	Weight	Volume	Std Packing
		kg	m <sup>3</sup>	
00590060	JET 1" X 1" ABS with Chrome front	6,92	0,028	12

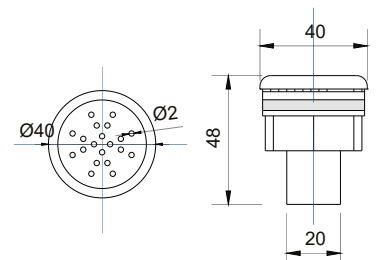


### Blower Nozzle



For air distribution into the SPA from air blowers. White plastic with 20 holes air jet. Flow rate 5.3 to 7.2 m<sup>3</sup>/hr. Also available with stainless steel front panel. Connection: 20mm.

Code	Description	Weight	Volume	Std Packing
		kg	m <sup>3</sup>	
00590062	Air Nozzle	0,5	0,004	24
00590063	Air Nozzle with S,S, trim	0,98	0,004	24



### Flexible SPA Hose



Flexible PVC pressure hose with solvent connection to Ø25, Ø32, Ø50 and Ø63mm. All available in 15 meter roll. Enables easy plumbing for SPA features.

Code	Description	Weight	Volume	Std Packing
		kg	m <sup>3</sup>	
00590125	Flexible SPA Hose Ø25	2,0	0,080	1
00590132	Flexible SPA Hose Ø32	2,2	0,100	1
00590150	Flexible SPA Hose Ø50	2,5	0,257	1
00590163	Flexible SPA Hose Ø63	2,8	0,275	1

# Spa Fittings

## SPA ACCESSORIES



### Adjustable Air Inlet

Controls air to venture system with 1" orifice for air regulation. The knob is mounted on the deck of the spa tub and is connected to the air venture pipe of the massage jet enabling users to regulate the air flow into the massage jet. Two models - 1" threaded fitting made of white PVC and 3/4" chrome plated front panel.

Code	Description	Weight	Volume	Std Packing
		kg	m <sup>3</sup>	
00590047-1	Adjustable Air Inlet	0,55	0,028	10
00590047	Adjustable Air Inlet chrome	0,55	0,028	10



### Pneumatic Press Button

Used for starting and ending massage functions. Two models - white PVC and chrome plated front panel.

Code	Description	Weight	Vol.	Std Packing
		kg	m <sup>3</sup>	
00590045-1	Pneumatic Press Button	0,52	0,078	10
00590045	Pneumatic Press Button Chrome	0,52	0,078	10



### Pneumatic Switch

Used with pneumatic press button for starting and ending massage functions.

Code	Description	Weight	Vol.	Std Packing
		kg	m <sup>3</sup>	
00590049	Pneumatic Switch	0,53	0,0098	10



### Single Push Button Controls

Electronic control system for SPA or whirlpool controls, switching On/Off by pressing one push button. Electronic motor protection with a setting range of 0 to 8A ensures optimum pump protection. The controller is standard equipped with an adjustable runtime limitation from 0 to 25 minutes. Supplied with single push button switch in stainless steel cast, waterproof IP68, suitable for fitting below water surface, cable length of 1.5 m.

Code	Description	Dimension	Power consumption	Switching capacity	Nominal Voltage
		(mm)	(VA)		(V)
00590710	Electronic Control Box	175x125x76	2	8A AC3	1 / N / 230V / 50Hz



Code	Description	Diameter	Protection Class	Cable Length	Nominal Current
		(mm)		(m)	(mA)
00590701	SPA Electronic Control One Push Button	Ø28	IP68	1,5	150mA

### Three Push Button Controls

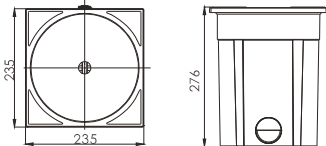
SPA control unit consist of 3 push button deck mountable fitting and electronic control box. Three Push Button fitting is mounted on the deck of the SPA and is connected to the electronic control box enabling users to stop / start massage functions, underwater lighting etc. 3 push button fitting made in white plastic, also available with S.S. trim on request , protection class IP65. Standard cable length 15 meters. Electronic control box – Input 230V / Power 1750W.

Code	Description	Weight	Volume	Std Packing
		kg	m <sup>3</sup>	
00590700	SPA Electronic Control Three Push Button	3,97	0,032	1



# Pool Fittings

## WATER LEVEL REGULATORS



### Water Level Regulator

Made of UV treated white ABS with square lid, with adjustable buoy. Direct connection to pool via skimmer. Installation of a level regulator will ensure that the desired water level is always maintained, thereby eliminating the risk of dry running of the pump when the water level falls below the skimmer weir level.

Code	Description	Weight	Volume	Std Packing
		kg	m <sup>3</sup>	
01230007	Water Level Regulator ABS	2	0,016	1

### Electronic Water Level Regulator

#### For Skimmer with Solenoid Valve

The waterproof mini float switch (IP67) determines the water level in a skimmer. The mini float switch is installed on a support rail in the skimmer and can be switched from "filling" to "draining". A damped solenoid valve for the water inlet is available as an option. The sensor cable can be extended up to 50m with shielded cable. During wave movement, the integrated time delay prevents too short switching distances.



Code	Description	Power / Voltage / Phase	Dimension	Electrode Voltage
		kW/V/Phase/A	mm	V
01231609	Electronic Regulator w/ Solenoid Valve	0,9 / 230 / Mono / 5	140x130x75	12

### Electronic Water Level Regulator

#### With Solenoid Valve

Atecpool electronic water level regulator consists of main control and sensor. The waterproof sensor (IP68) determines the water level. The electronic water level regulator operates with an input power of 24V DC and provides a 24V DC output to control the automatic filling device, such as a solenoid valve. The sensor cable can be extended up to 50m with shielded cable. The sensor is installed on a bracket and water filling is easily controlled. A damped solenoid valve for the water inlet is provided. During wave movement, the integrated time delay prevents too short switching distances.



Code	Description	Input voltage/ Power	Waterproof level	Work temp.	Solenoid Voltage
01231619	Electronic Water Level Regulator	24V DC / 10W	Main control: IP65	0°-60°C	24V DC

### Electronic Water Level Regulator

#### For overflow pool

Level Regulator with graphical water level indicator for swimming pools and whirlpools with overflow channel. In addition to the water level control, the control system also contains a dry running protection and force the filter pump to switch-on. 5 or 6 stainless steel electrodes are hung in the collection tank and are connected to the control system to determine the water level. These electrodes have different colored wires and are available in two grades of SS. The electrode 6 (terminal 9) enables independent activation of the mode forced switch-on and water feed.



Code	Description	Power / Voltage / Phase	Dimension	Electrode Voltage
			(mm)	
01231202	Electronic Regulator for Overflow	0,5 KW/ 230V / Mono / 4A	220x220x100	12V

INSPIRED  
ByWater

**ATECPPOOL**  
 **BWT** GROUP

 [atecpool.com](https://atecpool.com)



INSPIRED  
ByWater

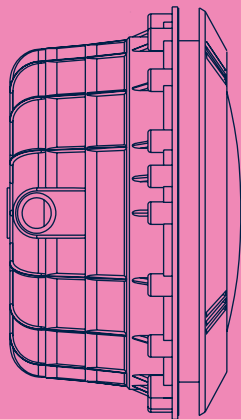
[atecpool.com](http://atecpool.com)



atecpool.com



# Pool Lighting



INSPIRED  
ByWater

**ATECPOOL**

BWT GROUP



# Atecpool Underwater Lighting



**ATECPPOOL** High-quality LED underwater illumination for swimming pools, water features and spa. Advanced PWM technology, enhanced IP68-rated lamps, and design excellence, combined with easy installation, make **ATECPPOOL** underwater lights a value-engineered product. We adopt the latest technologies in pool lighting with lamps that are fully resin filled, making it 100% waterproof.

Energy-efficient LED solutions for a greener planet are our core mission combined with best aesthetics to your pool. At **ATECPPOOL** we consider swimming pool lighting as an art, where we excel in this art form, thanks to advanced technology and design excellence.

**ATECPPOOL** underwater LED illumination, we take pride in transforming your swimming pool lighting into an unrivalled visual experience.

Underwater light

Super Bright Lighting LED



# Atecpool Underwater Lighting

Commercial and Sports Lighting



**Designed for commercial, recreational, instructional and paddling pools.**

Enjoy the power of super-bright LED underwater lights

Atecpool EVA LED lighting models meet the international safety standard for underwater lighting IEC EN 60598-2-18. The luminaires were tested for electrical safety (SELV), water resistance (IPX8 / IP68), insulation class (III), impact resistance, mechanical strength, resistance to high pressure, thermal protection and fire safety.

INSPIRED  
ByWater

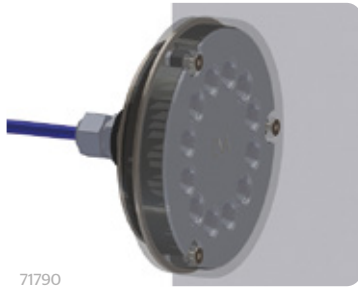
**ATECPOOL**  
BWT GROUP

# Atecpool EVA LED

## COMMERCIAL AND SPORTS LIGHTING

### Atecpool Eva A Series for surface mounting

Atecpool EVA A6 and A12 LED for surface mounting without any cover plate.



71790

Code	Description
71770	EVA A6 Fixed Colour
71790	EVA A12 Fixed Colour
71780	EVA A6 RGBW Multi-colour
71793	EVA A12 RGBW Multi-colour

Atecpool Eva A Series, S.S. 316 Cover plate for A6 and A12 LED



Atecpool EVA A6 with coverplate  
Atecpool EVA A12 with coverplate

Code	Description	Size
71673	S.S. 316 Cover Plate for A6 and A12 LED for concrete pool	Ø194 mm
71677	S.S. 316 Cover Plate for A6 and A12 LED for liner pool	Ø174 mm

Atecpool Eva A Series Extension kit for surface mounting



71681

Code	Description
71681	S.S 316 Backside
	Rubber Ring
	Rubber Ring small
	Iron Ring
	S.S 316 Lock Nut
	Cable-gland
	Washer
Seal	

Atecpool A Series Installation Housing for Concrete Pool



71670

Code	Description
71670	Installation Hosing
	Plastic Screws M6x25
	Cable Gland
	Washer
	Seal
	Hose

Atecpool Eva A Series, Installation Housing in ABS for Liner pool

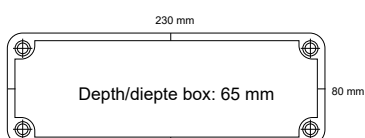


71675

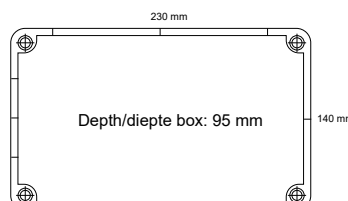
Code	Description
71675	Installation Hosing
	Rubber Ring (2 mm)
	Ring (3 mm)
	Cover Ring
	Cable-gland

Code	Description
71675	Washer
	Seal
	Hose Barb
	Hose
	Screws M5x25

Power Box A6 Mono for fixed colour



Power Box A6 RGBW / A12 RGBW for multi-colour and A12 mono for fixed colour

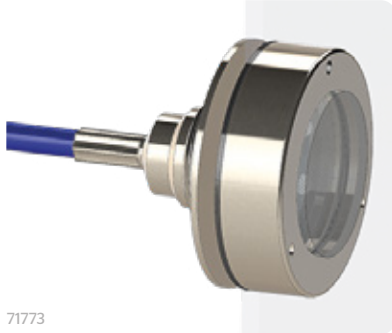


# Atecpool EVA LED

## SPA LIGHTING

### Atecpool Eva Q Series for surface mounting

#### Atecpool EVA Q2 LED for surface mounting



71773

Code	Description
71773	EVA Q2 Fixed Colour
71775	EVA Q2 RGBW Multi-colour

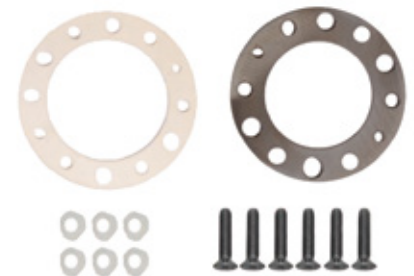
#### Atecpool Eva Q Series, S.S. 316 Cover plate for Q2 LED



Atecpool EVA Q2 with flat coverplate for concrete      Atecpool EVA Q2 with coverplate flanged edge for liner

Code	Description	Size
71692	S.S. 316 Cover Plate for Q2 LED for concrete pool	Ø194 mm
71696	S.S. 316 Cover Plate for Q2 LED for liner pool	Ø174 mm

#### Atecpool Eva Q Series Extension kit for surface mounting



Code	Description
71695	EPDM Packing
	S.S. Ring
	Installation Sleeve
	Bolt M6x16

#### Atecpool Q Series Installation Housing S.S.316 for Concrete Pool



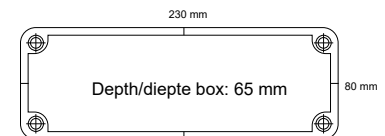
Code	Description
71691	Tube
	Cable-gland
	S.S 316 Niche
	Bolt M4X20

#### Atecpool Eva Q Series, Installation Housing S.S.316 for Liner pool

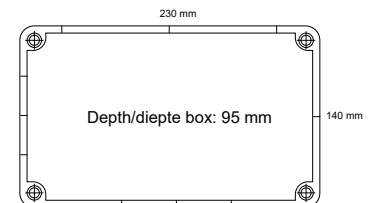


Code	Description
71693	Tube
	Cable Gland
	S.S 316 Niche
	Bolt M4X20
	EPDM Packing
	Stainless Steel Ring
	Installation Sleeve
	Bolt M6X16
	M3 nut
	Plastic fitting ring

#### Power Box Q2 / B1 Mono for fixed colour



#### Power Box Q2 / B1 RGBW for multi-colour



### Atecpool ArchiTech EVO DMX control unit

#### Accessories DMX and Dimming electronics

The ArchiTech EVO DMX control unit is ideal for use in high end applications. The EVO has an intuitive operation and extensive possibilities. Colour Selection using the OLED display, dimming, scene selection and speed. Use the software on PC, tablet or smartphone for remote control. Connect music systems to the lighting with the EVO controller for a unique audio-visual experience. All Atecpool EVA lighting is centrally controlled with the Atecpool ArchiTech EVO controller. We can customize the programming so that the system is tailored to your project.

Code	Description
71783	Dimming Pack for all Models Except RGBW Lights
71785	Remote Control Multicolour / RGBW Lights Standard
71787	DMX Control EVO-Touch Screen HR OLED Display
71789	DMX Cable / Per Meter
71791	EVA Aqua cable RGBW 7 x 0,5 mm2 / Per Meter



Underwater light

Super Bright Lighting LED



# Atecpool Linear Lighting

LED STRIP IP68 RATING

## Underwater Lighting

- IP68 waterproof
- High-quality
- Flexible
- RoHS compliant
- Colorwheel remote
- Mounting channel



2 years  
warranty

INSPIRED  
ByWater

**ATECPOOL**  
BWT GROUP

# Atecpool LED Strip IP68

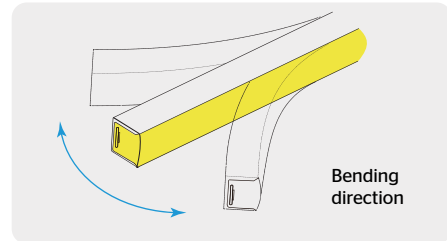
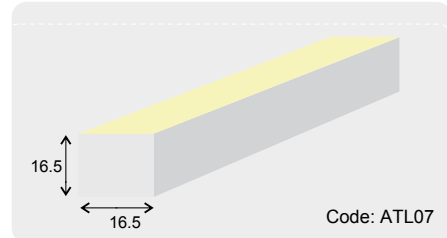
## WAVE LINEAR

### Atecpool Wave Linear LED Strip IP68

Atecpool LED Linear Lighting Wave Linear, 16.5 x 16.5 mm, is a high-quality, flexible LED strip, with a 16.5m illuminated side. Current regulator via integrated circuit. Generated heat is dissipated due to thermally conductive coating. Fully waterproof IP68 end connection for strip LED by molded Injection connector with a unique co-extrusion technology. Lead-free, RoHS compliant.



Wave Linear size 16.5 x 16.5 mm with 16.5mm illuminated side.



Model	Wave Linear LED Neon Strip	Wave Linear RGBW LED Multicolor Strip
Code	ATL07	ATL07 RGBW
Type of Light	SMD3528	SMD5050 Tri-chip
Colour Temperature / Selection	6500K / 5000K / 3000K / 2700K BLUE / RED / GREEN/	RGBW (W: 2200K/ 3000K /4000K)
Material used	ECO PVC	ECO PVC
Operating Voltage	24V DC	24V DC
Power Consumption	9W / m	17W / m
Lumen (lm)	400 lm	220 lm
LED Quantity / m	120 pcs	60 pcs
Min Cutting Length	10 cm	10 cm
Max Length	20 m	8 m
Protection Rating	IP68	IP68
Maximum Bending	Diameter 12 cm	Diameter 12 cm
Bending Direction	Vertically	Vertically
Ambient Temp	-30°C to +45°C	-30°C to +45°C
Controller	24V DC Power Supply	PWM Controller

### Connection types

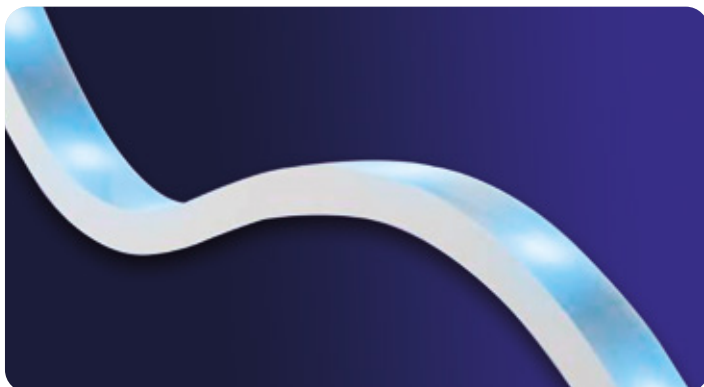
#### End connection



#### Side connection



#### Rear connection



### Mounting Channels



**ATLA014:** Aluminium mounting channel 1m  
Dimensions: 20.4~16.2x19.6 mm (WxH)



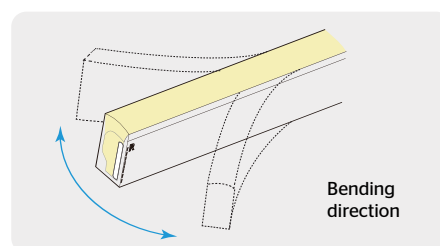
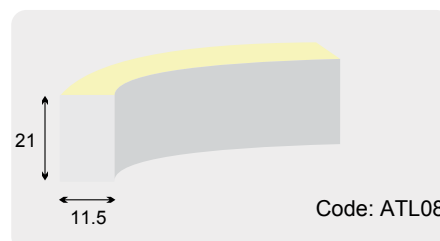
**ATLA014-SS :** Stainless steel 304 mounting channel 1m  
Dimensions: 18~15.91x21.8 mm (WxH)

# Atecpool LED Strip IP68

## CURVE LINEAR

### Atecpool Curve Linear LED Strip IP68

Atecpool LED Linear Lighting Curve Linear, 21 x 11.5 mm, is a high-quality, flexible LED strip, with a 11.5 mm illuminated side. Current regulator via integrated circuit. Generated heat is dissipated due to thermally conductive coating. Fully waterproof IP68 end connection for strip LED by molded Injection connector with a unique co-extrusion technology. Lead-free, RoHS compliant.



Curve Linear size 11.5x21 mm with 11.5 mm illuminated side

Model	Curve Linear LED Neon Strip	Curve Linear LED Neon Strip	Curve Linear RGB Multicolor Strip
Code	ATL08	ATL08 RGB	ATL08 RGBW
Type of Light	SMD5050	SMD5050	SMD5050 Tri-chip
Colour Temperature / Selection	6500K / 5000K / 3000K / 2700K / BLUE / RED / GREEN	RGB	RGBW (W: 2200K / 3000K / 4000K)
Material used	ECO PVC	ECO PVC	ECO PVC
Operating Voltage	24V DC	24V DC	24V DC
Power Consumption	12W / m	12W / m	17W / m
Lumen (lm)	320 lm	220 lm	220 lm
LED Quantity / m	60 pcs	60 pcs	60 pcs
Min Cutting Length	10 cm	10 cm	10 cm
Max Length	20 m	10 m	8 m
Protection Rating	IP68	IP68	IP68
Maximum Bending	Diameter 8cm	Diameter 8cm	Diameter 8cm
Bending Direction	Horizontally	Horizontally	Horizontally
Ambient Temp	-30°C to +45°C	-30°C to +45°C	-30°C to +45°C
Controller	24V DC Power Supply	24V DC Power Supply	PWM Controller

### Connection types

#### End connection



#### Side connection



#### Rear connection



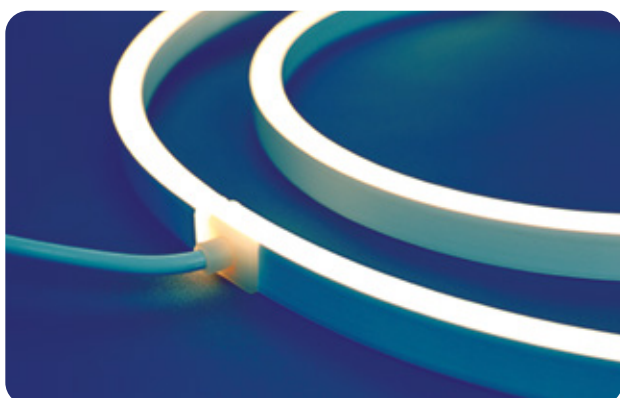
### Mounting Channels



ATLA015: Aluminium mounting channel 1m  
Dimensions: 15.1~11.09x24.4 mm (WxH)



ATLA015-SS : Stainless steel 304 mounting channel 1m  
Dimensions: 14.8~11x26 mm (WxH)



Underwater light

Radiant LED lighting



# Atecpool Underwater Lighting

RADIANT LED PAR 56 BULB FOR  
RECESSED UNDERWATER LIGHTING



- Save up to 90% on your energy bill.
- Eco-friendly bulb
- Super bright LED
- 2 years warranty

## Underwater Radiant LED

"Adding light to your life"/  
Dimension: Ø176\*107mm / Lumen: 3300 lm

Remotely controlled colour  
sequence arranged in 16 programs



INSPIRED  
ByWater

**ATECPOOL**  
BWT GROUP

# Atecpool Euro LED

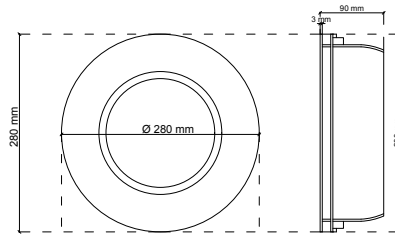
12V AC - IP68

## Euro LED PAR 56 SMD

Extra flat PAR 56 LED introduced to niche lights for installations with less wall widths and wall flush design lighting. High technology SMD LEDs are used to create at maximum of 3200 Lumen in single LED bulb. The LED lamp shell comes in plastic, supplied with niche of 9cm depth. Waterproof IP68. Colour selection of cool white, warm white and blue.



Code	81755CW	81762WW	81771B
Color	Cool white	Warm White	BLUE
LED Type	SMD LED	SMD LED	SMD LED
LED Quantity	72	72	72
Power	30 W	30 W	30 W
Input Voltage	12V AC	12V AC	12V AC
Frequency	50/60 Hz	50/60 Hz	50/60 Hz
Lumen	3200 lm	2500 lm	680 lm
Cable Specification	2 x 1.5 mm <sup>2</sup>	2 x 1.5 mm <sup>2</sup>	2 x 1.5 mm <sup>2</sup>
Color Temperature	6500K	3000K	Blue

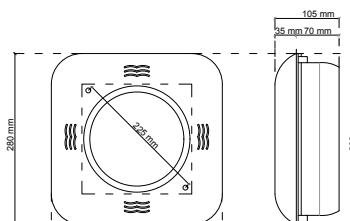


## Euro Square LED PAR 56 SMD

Extra flat PAR 56 LED introduced to niche lights for installations with less wall widths. Square type LED design lighting. The LED lamp shell comes in plastic, supplied with niche of 9cm depth. Colour selection of cool white, warm white and blue.



Code	82755CW	82762WW	82771B
Color	Cool white	Warm White	BLUE
LED Type	SMD LED	SMD LED	SMD LED
LED Quantity	81	81	81
Power	30 W	30 W	30 W
Input Voltage	12V AC	12V AC	12V AC
Frequency	50/60 Hz	50/60 Hz	50/60 Hz
Lumen	3200 lm	2500 lm	680 lm
Cable Specification	2 x 1.5 mm <sup>2</sup>	2 x 1.5 mm <sup>2</sup>	2 x 1.5 mm <sup>2</sup>
Color Temperature	6500K	3000K	Blue



## Radiant LED PAR 56 SMD Bulb

Specially designed for your pools, with maximum efficiency lighting and maximum energy savings. High technology SMD LEDs create at maximum of 3300 Lumen in a single LED bulb. The LED Lamp shell comes with options of a Plastic Shell or Aluminium base. Aluminium base designed for extra-long life span for LEDs. Waterproof IP68. Colour selection is cool white, warm white, blue and RGB.



92001



92005

Code	92005 CW	92005 WW	92005 B	92001
Color	Cool White	Warm White	Blue	RGB
LED Type	SMD	SMD	SMD	SMD
LED Quantity	432	432	432	432
Power	33 W	33 W	33 W	30W
Input Voltage	12V AC	12V AC	12V AC	12V AC
Frequency	50/60 Hz	50/60 Hz	50/60 Hz	50/60 Hz
Lumen	3300 lm	2600 lm	720 lm	1550 lm
Operation temperature	-30°C / +50°C	-30°C / +50°C	-30°C / +50°C	-30°C / +50°C
Cable Specification	2 x 1.5 mm <sup>2</sup>	2 x 1.5 mm <sup>2</sup>	2 x 1.5 mm <sup>2</sup>	2 x 1.5 mm <sup>2</sup>
Color Temperature	6500K	3000K	Blue	RGB



Easy Colour Picker



International Safety Tested  
IEC EN 60598-2-18



Fast Return on Investment

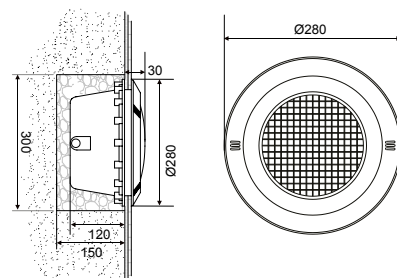
# Atecpool Radiant LED PAR 56 Lighting

## FOR CONCRETE, LINER AND PRE-FABRICATED POOLS

### Atecpool Radiant LED PAR56 Underwater Lighting

Radiant LED PAR 56 Underwater Lighting achieves power savings of more than 90% over traditional lighting. Available for concrete, liner and pre-fabricated pools with choice of LED in Cool White, Warm White, Blue and RGB (colour changing).

12V AC power supply input with 2 core cable selection of Radiant LED PAR 56 lamps for any choice of LED including RGB. RGB LEDs are synchronized using Atecpool LED Modulators with a remote control system. IP68 waterproof.



### Radiant LED PAR56 Lighting – Concrete pools



Code	Description	Power / Voltage
<b>81300-09 RGB</b>	Radiant LED PAR56 RGB ABS w/ niche	30W/12V AC
<b>81300-09 CW</b>	Radiant LED PAR56 Cool White ABS w/ niche	33W/12V AC
<b>81300-09 WW</b>	Radiant LED PAR56 Warm White ABS w/ niche	33W/12V AC
<b>81300-09 B</b>	Radiant LED PAR56 Blue ABS w/ niche	33W/12V AC
<b>82300-09 RGB</b>	Radiant LED PAR56 RGB S.S. Trim w/ niche	30W/12V AC
<b>82300-09 CW</b>	Radiant LED PAR56 Cool White S.S. Trim w/ niche	33W/12V AC
<b>82300-09 WW</b>	Radiant LED PAR56 Warm White S.S. Trim w/ niche	33W/12V AC
<b>82300-09 B</b>	Radiant LED PAR56 Blue S.S. Trim w/ niche	33W/12V AC

Color temperature: Cool white: 6500K, Warm white: 3000K  
Lumen: RGB ~2300 lm / Cool White ~3300 lm / Warm White ~2600 lm

### Radiant LED PAR56 Lighting – Liner pools



Code	Description	Power / Voltage
<b>81301-09 RGB</b>	Radiant LED PAR56 RGB ABS w/ niche	30W/12V AC
<b>81301-09 CW</b>	Radiant LED PAR56 Cool White ABS w/ niche	33W/12V AC
<b>81301-09 WW</b>	Radiant LED PAR56 Warm White ABS w/ niche	33W/12V AC
<b>81301-09 B</b>	Radiant LED PAR56 Blue ABS w/ niche	33W/12V AC
<b>82301-09 RGB</b>	Radiant LED PAR56 RGB S.S. Trim w/ niche	30W/12V AC
<b>82301-09 CW</b>	Radiant LED PAR56 Cool White S.S. Trim w/ niche	33W/12V AC
<b>82301-09 WW</b>	Radiant LED PAR56 Warm White S.S. Trim w/ niche	33W/12V AC
<b>82301-09 B</b>	Radiant LED PAR56 Blue S.S. Trim w/ niche	33W/12V AC

Color temperature: Cool white: 6500K, Warm white: 3000K  
Lumen: RGB ~2300 lm / Cool White ~3300 lm / Warm White ~2600 lm

### Radiant ECO LED PAR56 Lighting – Concrete pools



Code	Description	Power / Voltage
<b>84310-09 RGB</b>	Radiant ECO LED PAR56 RGB ABS w/ niche	30W/12V AC
<b>84315-09 CW</b>	Radiant ECO LED PAR56 Cool White ABS w/ niche	33W/12V AC
<b>84320-09 WW</b>	Radiant ECO LED PAR56 Warm White ABS w/ niche	33W/12V AC
<b>84325-09 B</b>	Radiant ECO LED PAR56 Blue ABS w/ niche	33W/12V AC

Color temperature: Cool white: 6500K, Warm white: 3000K  
Lumen: RGB ~2300 lm / Cool White ~3300 lm / Warm White ~2600 lm

### Radiant ECO LED PAR56 Lighting – Liner pools



Code	Description	Power / Voltage
<b>84325-09 RGB</b>	Radiant ECO LED PAR56 RGB ABS w/ niche	30W/12V AC
<b>84330-09 CW</b>	Radiant ECO LED PAR56 Cool White ABS w/ niche	33W/12V AC
<b>84335-09 WW</b>	Radiant ECO LED PAR56 Warm White ABS w/ niche	33W/12V AC
<b>84445-09 B</b>	Radiant ECO LED PAR56 Blue ABS w/ niche	33W/12V AC

Color temperature: Cool white: 6500K, Warm white: 3000K  
Lumen: RGB ~2300 lm / Cool White ~3300 lm / Warm White ~2600 lm

Underwater light

High Power Ultra Slim LED



# Atecpool Spectra-Slim LED Lighting

SPECTRA-SLIM LED LIGHTING IN ABS AND S.S



## High Power Ultra Slim LED

Super bright Ultra Slim LED Panel underwater lights for swimming pools and spa. Made of Stainless Steel AISI 316 with resin filled bulbs. The SS316 frame has state of art design to suit any niches using an installation adaptor kit. 100% acid-proof, alkali-proof and UV resistant. Low power consumption, high stability and completely waterproof.

2 years  
warranty

INSPIRED  
ByWater

**ATECPOOL**  
BWT GROUP

# Spectra-Slim LED Lighting ABS and SS 316

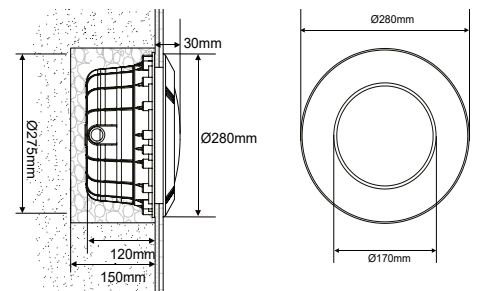
## HIGH POWER SLIM LED

### Atecpool Spectra-Slim LED Panel ABS and S.S. 316 Lighting

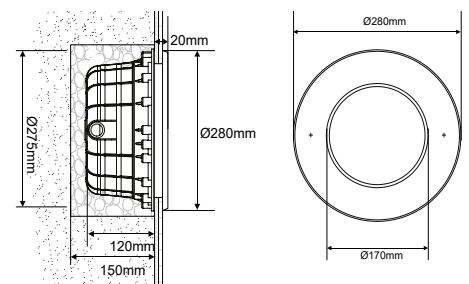
Super bright Ultra Slim LED panel underwater lights for swimming pools and spa. Made of ABS and stainless steel AISI 316 with resin filled bulbs which are 100% acid-proof, alkali-proof and UV resistant and ABS niche.

Low power consumption, high stability, IP68 waterproof. Models available in RGB, Cool White, Warm White and Blue colour. Supplied with 3m, 2x1.0 mm<sup>2</sup> cable for all models. RGB lights get synchronized using Atecpool LED modulators / remote control with colour sequence arranged in 16 programs. ABS and S.S. frame is compatible to any size niches using the installation adaptor kit supplied along with the lights.

### Spectra-Slim LED Panel ABS



### Spectra-Slim LED Panel S.S



91252 RGB

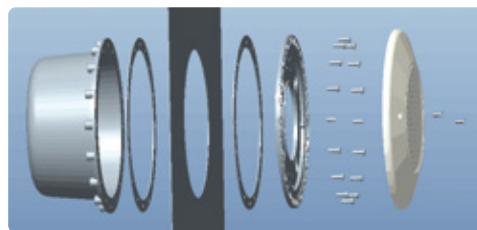


93252 RGB

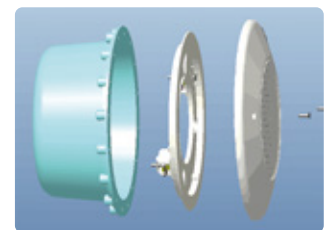
### Concrete, Liner and Pre-fabricated pools

#### Easy installation

Atecpool Spectra-Slim LED panel ABS lighting can be used for concrete, liner and pre-fabricated pools. Thanks to the installation adaptor kit supplied along with the lights it is possible to install in concrete, liner or pre-fabricated pools.



Liner/ Pre-fab



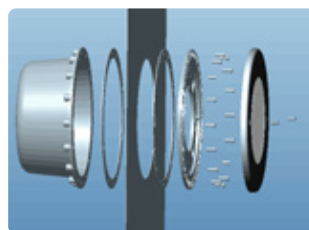
Concrete



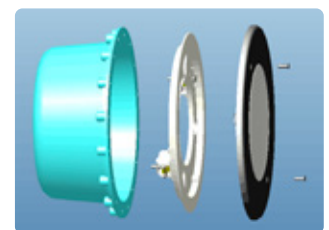
ABS niche



Adaptor Kit



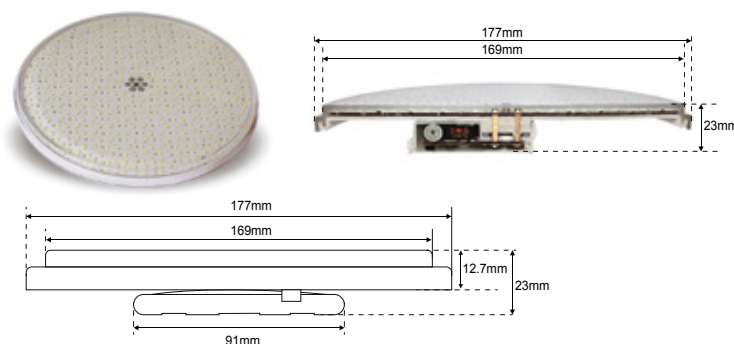
Liner/ Pre-fab



Concrete

### Atecpool Spectra-Slim LED Panel Bulb

Constant current driving, resin filled LEDs have consistent color and brightness, High stability and long life span.



### Spectra-Slim LED Panel Bulb-Specifications

252 LED Bulb code	432 LED Bulb code	531 LED Bulb code
252RGB - 18W RGB	432RGB - 30W RGB	531RGB - 55W RGB
252CW - 21W 6500K	432CW - 33W 6500K	531CW - 60W 6500K
252WW - 21W 3000K	432WW - 33W 3000K	531WW - 60W 3000K
252B - 21 W BLUE	432B - 33W BLUE	531B - 60W BLUE

#### RGB Bulb RGB 16 modes

16 programs with synchronization capability

Power output in 3 models: 18W / 30W / 55W

#### Single Color Bulb Temperature 6500K / 3000K / Single Blue

Power output in 3 models: 21W / 33W / 60W

Standard input voltage: 12V AC / DC

# Spectra-Slim LED Lighting ABS

## HIGH POWER SLIM LED



### Atecpool Spectra-Slim LED Panel ABS Lighting - Specification

Atecpool Spectra-Slim LED Panel ABS Lights available in 3 power outputs combined with 3 different LED quantities.

### Spectra-Slim Panel 252 LED ABS Lighting 18/21W

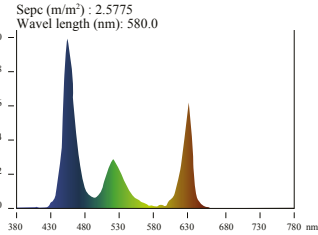
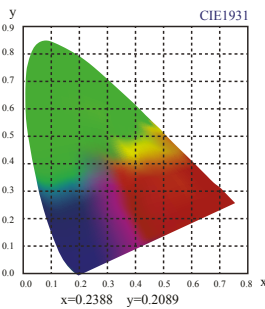
Code	Description	Power / Voltage	Lumen	Color Temperature
<b>91252 RGB</b>	Spectra Panel 252 LED RGB ABS w/ niche	18W/12V AC	925 lm	RGB 16 modes
<b>91252 CW</b>	Spectra Panel 252 LED Cool White ABS w/ niche	21W/12V AC	2100 lm	6500K
<b>91252 WW</b>	Spectra Panel 252 LED Warm White ABS w/ niche	21W/12V AC	1920 lm	3000K
<b>91252 B</b>	Spectra Panel 252 LED Blue ABS w/ niche	21W/12V AC	470 lm	Single Blue

### Photometrics - 91252 RGB 18W 252 LED / 12V AC

CCT (K) 100000  
Candle E (fc) 162.97  
CCT (K) 100000  
CCT (K) 100000

CCT (K) 100000  
Candle E (fc) 162.97  
CCT (K) 100000  
CCT (K) 100000

x, y 0.2388, 0.2089  
u, v 0.1899, 0.2492

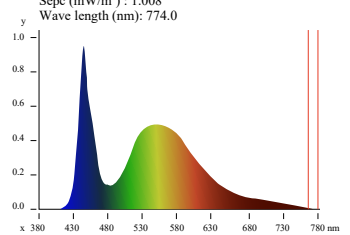
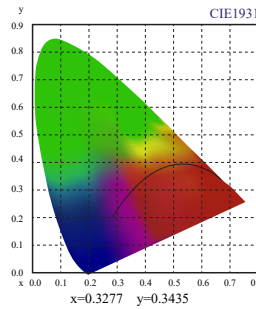


### Photometrics - 91252 CW 21W 6500K LED / 12V AC

E (lx) 3429  
Candle E (fc) 318.70  
CCT (K) 6500  
CCT (K) 6500

E (lx) 3429  
Candle E (fc) 318.70  
CCT (K) 6500  
CCT (K) 6500

x, y 0.3277, 0.3435  
u, v 0.2027, 0.3187



### Spectra-Slim Panel 432/180 LED ABS Lighting 30/33W

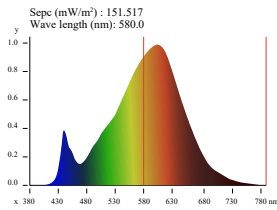
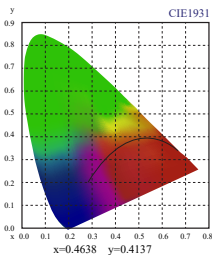
Code	Description	Power / Voltage	Lumen	Color Temperature
<b>91432 RGBW</b>	Spectra Panel 180 LED RGBW ABS w/ niche	33W/12V AC	2600 lm	RGB 16 modes/W 3000K
<b>91432 RGB</b>	Spectra Panel 432 LED RGB ABS w/ niche	30W/12V AC	1550 lm	RGB 16 modes
<b>91432 CW</b>	Spectra Panel 432 LED Cool White ABS w/ niche	33W/12V AC	3300 lm	6500K
<b>91432 WW</b>	Spectra Panel 432 LED Warm White ABS w/ niche	33W/12V AC	2600 lm	3000K
<b>91432 B</b>	Spectra Panel 432 LED Blue ABS w/ niche	33W/12V AC	720 lm	Single Blue

### Photometrics - 91432 WW 33W 3000K LED / 12V AC

E (lx) 8478  
Candle E (fc) 787.91  
CCT (K) 3000  
CCT (K) 3000

E (lx) 8478  
Candle E (fc) 787.91  
CCT (K) 3000  
CCT (K) 3000

x, y 0.4638, 0.4137  
u, v 0.2636, 0.3527



### Spectra-Slim Panel 531 LED ABS Lighting 55/60W

Code	Description	Power / Voltage	Lumen	Color Temperature
<b>91531 RGB</b>	Spectra Panel 531 LED RGB ABS w/ niche	55W/12V AC	2380 lm	RGB 16 modes
<b>91531 CW</b>	Spectra Panel 531 LED Cool White ABS w/ niche	60W/12V AC	5500 lm	6500K
<b>91531 WW</b>	Spectra Panel 531 LED Warm White ABS w/ niche	60W/12V AC	4950 lm	3000K
<b>91531 B</b>	Spectra Panel 531 LED Blue ABS w/ niche	60W/12V AC	1450 lm	Single Blue

# Spectra-Slim LED Lighting S.S. 316

## HIGH POWER SLIM LED



### Atecpool Spectra-Slim LED Lighting S.S. 316 - Specification

Atecpool Spectra-Slim LED Panel S.S. 316 Lights available in 3 power outputs combined with 3 different LED quantities. SS 316 niche available upon request.

### Spectra-Slim Panel 252 LED S.S. 316 Lighting 18/21W

Code	Description	Power / Voltage	Lumen	Color Temperature
<b>93252 RGB</b>	Spectra Panel 252 LED RGB S.S. 316 w/ ABS niche	18W/12V AC	925 lm	RGB 16 Mode
<b>93252 CW</b>	Spectra Panel 252 LED Cool White S.S. 316 w/ ABS niche	21W/12V AC	2100 lm	6500K
<b>93252 WW</b>	Spectra Panel 252 LED Warm White S.S. 316 w/ ABS niche	21W/12V AC	1920 lm	3000K
<b>93252 B</b>	Spectra Panel 252 LED Blue S.S. 316 w/ ABS niche	21W/12V AC	470 lm	Single Blue

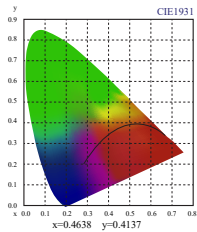
### Spectra-Slim Panel 432 LED S.S. 316 Lighting 30/33W

Code	Description	Power / Voltage	Lumen	Color Temperature
<b>93432 RGBW</b>	Spectra Panel 180 LED RGBW S.S. 316 w/ ABS niche	33W/12V AC	2600 lm	RGB 16 modes/W 3000K
<b>93432 RGB</b>	Spectra Panel 432 LED RGB S.S. 316 w/ ABS niche	30W/12V AC	1550 lm	RGB 16 Mode
<b>93432 CW</b>	Spectra Panel 432 LED Cool White S.S. 316 w/ ABS niche	33W/12V AC	3300 lm	6500K
<b>93432 WW</b>	Spectra Panel 432 LED Warm White S.S. 316 w/ ABS niche	33W/12V AC	2600 lm	3000K
<b>93432 B</b>	Spectra Panel 432 LED Blue S.S. 316 w/ ABS niche	33W/12V AC	720 lm	Single Blue

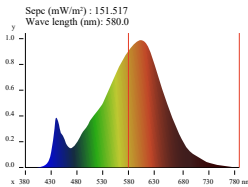
### Photometrics - 93432 WW 33W 3000K LED / 12V AC

33W-3000K

E (lx) 8478  
Candle E (fc) 787.91  
CCT (K) 3000  
CCT (K) 3000



E (lx) 8478  
Candle E (fc) 787.91  
CCT (K) 3000  
CCT (K) 3000  
X, Y 0.4638, 0.4137  
U, V 0.2636, 0.3527



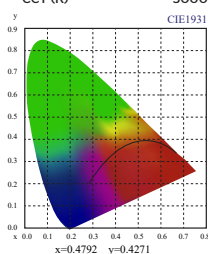
Stainless steel niche available upon request

### Spectra-Slim Panel 531 LED S.S. 316 Lighting 55/60W

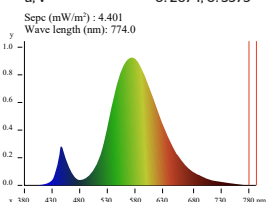
Code	Description	Power / Voltage	Lumen	Color Temperature
<b>93531 RGB</b>	Spectra Panel 531 LED RGB S.S. 316 w/ ABS niche	55W/12V AC	2380 lm	RGB 16 Mode
<b>93531 CW</b>	Spectra Panel 531 LED Cool White S.S. 316 w/ ABS niche	60W/12V AC	5500 lm	6500K
<b>93531 WW</b>	Spectra Panel 531 LED Warm White S.S. 316 w/ ABS niche	60W/12V AC	4950 lm	3000K
<b>93531 B</b>	Spectra Panel 531 LED Blue S.S. 316 w/ ABS niche	60W/12V AC	1450 lm	Single Blue

### Photometrics - 93531 WW 60W 3000K LED / 12V AC

E (lx) 13.54k  
Candle E (fc) 1258.80  
CCT (K) 3000  
CCT (K) 3000



E (lx) 13.54k  
Candle E (fc) 1258.80  
CCT (K) 3000  
CCT (K) 3000  
X, Y 0.4792, 0.4271  
U, V 0.2674, 0.3575



# Spectra Extra Flat LED Lighting

## S.S. 316 SURFACE MOUNTED

### Atecpool Spectra Extra Flat LED S.S. 316 Lighting

LED underwater light for swimming pools and spa. Lamps fully filled with resin, completely waterproof, wall mounted and nicheless with S.S. frame. Models available in RGB, Cool White, Warm White and Blue colour. RGB lights work with the Atecpool LED modulator. There is a remote control system for synchronization.

#### Specifications

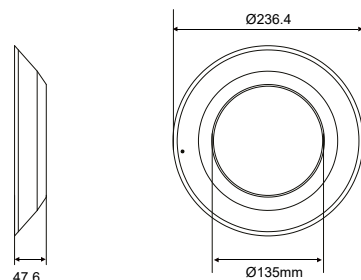
- Electrical Connection: 12V AC
- 2X1.0 mm<sup>2</sup> cable
- Construction: Moulded housing S.S. AISI 316
- Protection Class: IP68
- Supplied with 3.5 m cable
- 16 programs with synchronization capability

#### Features

- Quality Resin filled lamps provides 100% waterproof assurance.
- Consumes 90% less energy than traditional lighting.
- High temperature protection guarantees the long life of LEDs.
- True PWM Technology is adopted.
- No niche, easy installation.
- Lights can be wired to any 12V AC transformer.



20524



#### LED Modulator



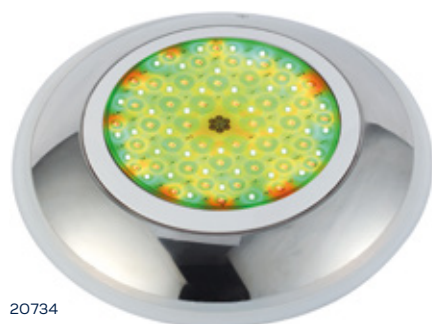
**2 CORE**  
connection  
-WITH REMOTE CONTROL-

Code	Description	Power / Voltage	Lumen	Color Temperature
20524	Spectra Extra Flat RGB S.S 316	18W / 12V AC	925 lm	RGB 16 Mode
20528	Spectra Extra Flat Cool White S.S 316	21W / 12V AC	2100 lm	6500K
20532	Spectra Extra Flat Warm White S.S 316	21W / 12V AC	1920 lm	3000K
20536	Spectra Extra Flat Blue S.S 316	21W / 12V AC	470 lm	Single Blue

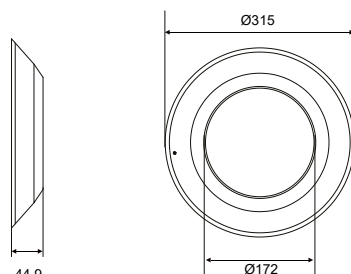


Easy Colour  
Picker

### Atecpool Spectra High Power Extra Flat LED S.S. 316 Lighting



20734



International  
Safety Tested  
IEC EN 60598-2-18



Fast Return on  
Investment

Code	Description	Power / Voltage	Lumen	Color Temperature
20734	Spectra High Power Extra Flat RGB S.S 316	30W / 12V AC	1550 lm	RGB 16 Mode
20738	Spectra High Power Extra Flat Cool White S.S 316	33W / 12V AC	3300 lm	6500K
20742	Spectra High Power Extra Flat Warm White S.S 316	33W / 12V AC	2600 lm	3000K
20746	Spectra High Power Extra Flat Blue S.S 316	33W / 12V AC	720 lm	Single Blue

# Lumina Extra Flat LED Lighting

## ABS SURFACE MOUNTED

### Atecpool Lumina Extra Flat Panel LED ABS Lighting

Lumina Extra Flat LED ABS underwater lights for swimming pools and spa. Lamps fully filled with resin, completely waterproof, wall mounted, nicheless in ABS. Models available in RGB, Cool White, Warm White and Blue colour. RGB lights works with the Atecpool LED modulator. There is a remote control system for synchronization.

#### Specifications

- Electrical Connection: 12V AC.
- 2X1,0 mm<sup>2</sup> cable.
- Construction: Moulded housing in ABS.
- Protection Class: IP68.
- Supplied with 2 m cable.
- 16 programs with synchronization capability.

#### Features

- Quality Resin filled lamps provides 100% waterproof assurance.
- Consumes 90% less energy than traditional lighting.
- High temperature protection guarantees the long life of LEDs.
- True PWM technology is adopted.
- No niche, easy installation.
- Lights can be wired to any 12V AC transformer.

Code	Description	Power / Voltage	Lumen	Color Temp.
21814	Lumina Extra Flat Panel 252 LED RGB ABS	18W / 12V AC	925 lm	RGB 16 Mode
21818	Lumina Extra Flat Panel 252 LED Cool White ABS	21W / 12V AC	2100 lm	6500K
21822	Lumina Extra Flat Panel 252 LED Warm White ABS	21W / 12V AC	1920 lm	3000K
21826	Lumina Extra Flat Panel 252 LED Blue ABS	21W / 12V AC	470 lm	Single Blue



### Atecpool Lumina Extra Flat 199 LED ABS Lighting

Lumina Extra Flat LED ABS underwater light for wall mounting with 199 LED offering sixteen colour changing modes. The lights can be wired to any 12V AC transformer. Models available in RGB, Cool White, Warm White and Blue colour. RGB lights works with the Atecpool LED modulator. There is a remote control system for synchronization.

#### Specifications

- Electrical Connection: 12V AC
- 2X1.0 mm<sup>2</sup> cable
- Supplied material of construction: ABS
- Protection Class: IP68
- Supplied with 2 m cable
- 16 programs with synchronization capability.

#### Features

- UV protection.
- Consumes 90% less energy than traditional lighting.
- Tempered Protection Glass.
- No niche, easy installation.
- Constant-current driver to the LED.
- Low power consumption, low heat dissipation.



Code	Description	Power / Voltage	Lumen
20814	Lumina Extra Flat 199 LED RGB ABS	11W / 12V AC	550 lm
20818	Lumina Extra Flat 199 LED Cool White ABS	12W / 12V AC	840 lm
20822	Lumina Extra Flat 199 LED Warm White ABS	12W / 12V AC	680 lm
20826	Lumina Extra Flat 199 LED Blue ABS	12W / 12V AC	260 lm

Underwater light

Ultra Thin LED Lights

Extra Flat LED Lights



# Atecpool Ultra Thin and Extra Flat LED



AF16010

## Ultra Thin Mini ABS LED Lighting

### Ultra Thin Lights

Resin filled ultra thin mini ABS LED lighting for surface mounting.

Ø120 mm x 7.5 mm, Ø160 mm x 7.5 mm, Ø230 mm x 7.5 mm  
Color temp. 6500K, 3000K, RGB



20769

## Extra Flat Mini S.S. LED Lighting

### Extra Flat Lights

Extra flat mini SS316L LED lighting for surface mounting.  
(Available in three different sizes)

Ø100 mm x 12 mm, Ø150 mm x 18 mm, Ø180 mm x 18 mm.  
Color temp. 6500K, 3000K, RGB

2 years  
warranty

INSPIRED  
ByWater

**ATECPOOL**  
BWT GROUP

# Ultra Thin LED Lighting

12V AC/DC - IP68

## Atecpool Ultra Thin Surface LED - ABS and Stainless Steel AISI 316

Fully resin filled, ultra thin panel LED for surface mounting installations. Available in ABS and stainless steel AISI 316 fixture. ABS thickness upto 7.5 mm and stainless steel upto 4 mm thickness. Beam Angle: 120°. Supplied with 2 m length, 2x1mm<sup>2</sup> cable for single color and 4x1mm<sup>2</sup> cable for RGB. Extra flat model, ABS and SS niche available upon request.

## Atecpool Ultra Thin Surface LED 230 Ø- ABS and SS 316

230 mm Ø available in 18W (252 LED) / 25W (324 LED) and 35W (432 LED) output. Ultra Thin ABS LED 230 mm Ø / 7.5 mm thickness. Ultra Thin SS AISI 316 LED 230 mm Ø / 4 mm thickness.

Code	Model	Power / Voltage	Lumen (lm)	Color Temp
AF23035WW	Ultra Thin 432 LED ABS Warm White	35W / DC 12V	3150	3000K
AF23035CW	Ultra Thin 432 LED ABS Cool White	35W / DC 12V	3400	6500K
AF23035RGB	Ultra Thin 432 LED ABS RGB	35W / DC 12V	1890	RGB
AF23035SWW	Ultra Thin 432 LED SS Warm White	35W / DC 12V	3150	3000K
AF23035SCW	Ultra Thin 432 LED SS Cool White	35W / DC 12V	3400	6500K
AF23035SRGB	Ultra Thin 432 LED SS RGB	35W / DC 12V	1890	RGB

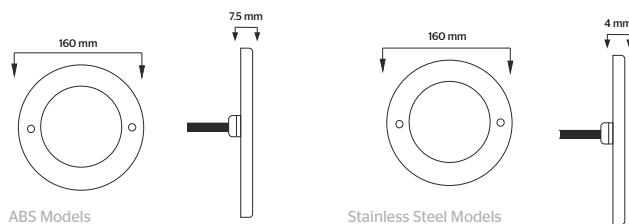


POOL LIGHTING

## Atecpool Ultra Thin Surface LED 160 Ø- ABS and SS 316

Ultra Thin ABS LED 160 mm Ø / 7.5 mm thickness. Ultra Thin SS AISI 316 LED 160 mm Ø / 4 mm thickness.

Code	Model	Power / Voltage	Lumen (lm)	Color Temp
AF16010WW	Ultra Thin 108 LED ABS Warm White	10W / DC 12V	1010	3000K
AF16010CW	Ultra Thin 108 LED ABS Cool White	10W / DC 12V	1100	6500K
AF16010RGB	Ultra Thin 108 LED ABS RGB	10W / DC 12V	610	RGB
AF16010SWW	Ultra Thin 108 LED SS Warm White	10W / DC 12V	1010	3000K
AF16010SCW	Ultra Thin 108 LED SS Cool White	10W / DC 12V	1100	6500K
AF16010SRGB	Ultra Thin 108 LED SS RGB	10W / DC 12V	610	RGB



## Atecpool Ultra Thin Surface LED - ABS(120 Ø)/SS 316 (110 Ø)

Ultra Thin ABS LED 120 mm Ø / 7.5 mm thickness. Ultra Thin SS AISI 316 LED 110 mm Ø / 4 mm thickness.

Code	Model	Power / Voltage	Lumen (lm)	Color Temp
AF12006WW	Ultra Thin 63 LED ABS Warm White	6W / DC 12V	550	3000K
AF12006CW	Ultra Thin 63 LED ABS Cool White	6W / DC 12V	600	6500K
AF12006RGB	Ultra Thin 63 LED ABS RGB	6W / DC 12V	330	RGB
AF11006SWW	Ultra Thin 63 LED SS Warm White	6W / DC 12V	550	3000K
AF11006SCW	Ultra Thin 63 LED SS Cool White	6W / DC 12V	600	6500K
AF11006SRGB	Ultra Thin 63 LED SS RGB	6W / DC 12V	330	RGB



# Extra Flat Mini SS LED Light

## AISI 316L DESIGN LED

### Atecpool Extra Flat Mini SS Design LED

Fully resin filled panel LED for surface mounting installations in stainless steel construction in AISI 316L. Design LED selected for special water effects.

Color temperature: 6500K, 3000K/2700K and RGB.

Sizes: Ø100mm x 12mm, Ø150mm x 18mm, Ø180mm x 18mm.

### Extra Flat Mini SS 9 LED Lights



Code	20768	20765	20769
Power	10 W	10 W	10 W
Led type	CREE XPE LED		
Construction	Stainless Steel AISI 316		
Luminous Flux	600 lm	550 lm	330 lm
CCT Selection	6500K	3000K	RGB
Color code	Cool White	Warm White	RGB
Beam angle	120°	120°	120°
Dimension (Ø x height)	100 x 12 mm		
Net Weight	0.165 kg		
Input Voltage	12V AC/DC	12V AC/DC	12~24V DC
Insulation class / Rating	Class III / IP68		

### Extra Flat Mini SS 12 LED Lights



Code	20791	20770	20792
Power	18 W	18 W	18 W
Led type	CREE XPE LED		
Construction	Stainless Steel AISI 316		
Luminous Flux	925 lm	850 lm	680 lm
CCT Selection	6500K	3000K	RGB
Color code	Cool White	Warm White	RGB
Beam angle	120°	120°	120°
Dimension (Ø x height)	150 x 18 mm		
Net Weight	0.320 kg		
Input Voltage	12V AC/DC	12V AC/DC	12~24V DC
Insulation class / Rating	Class III / IP68		

### Extra Flat Mini SS 18 LED Lights



Code	20795	20794	20796
Power	25 W	25 W	25 W
Led type	CREE XPE LED		
Construction	Stainless Steel AISI 316		
Luminous Flux	2100 lm	1920 lm	1015 lm
CCT Selection	6500K	3000K	RGB
Color code	Cool White	Warm White	RGB
Beam angle	120°	120°	120°
Dimension (Ø x height)	180 x 18 mm		
Net Weight	0.630 kg		
Input Voltage	12V AC/DC	12V AC/DC	12~24V DC
Insulation class / Rating	Class III / IP68		

Underwater light

Super Bright LED Lights



# Atecpool Lumina Mini

2 years  
warranty



20444

## Lumina Mini S.S. 316

### Super bright lights

Consumes 90% less energy than traditional lighting. Eco-friendly and no radiation. Low power consumption and low heat dissipation. Light transmission rate up to 92%. PWM technology adopted. No niche, solvent weld wall conduits Ø63 mm suitable for quick push-fit connections Lumina Mini S.S. Lights



20224S

## Lumina Mini ABS S.S. 316 trim

### Super bright lights

Consumes 90% less energy than traditional lighting. Eco-friendly and no radiation. Low power consumption and low heat dissipation. Light transmission rate up to 92%. PWM technology adopted. No niche, 2" threaded wall conduits suitable for quick connections Lumina Mini ABS Lights with SS frame,



20224

## Lumina Mini ABS

### Super bright lights

Consumes 90% less energy than traditional lighting. Eco-friendly and no radiation. Low power consumption and low heat dissipation. Light transmission rate up to 92%. PWM technology adopted. No niche, 2" threaded wall conduits suitable for quick connections Lumina Mini ABS Lights.

INSPIRED  
ByWater

**ATECPOOL**  
BWT GROUP

# Lumina Mini Spa LED Lighting

## STAINLESS STEEL 316

### Atecpool Lumina Mini Spa LED Panel Lighting S.S. 316

Lumina Mini SPA lighting in stainless steel AISI 316. Quick push-fit connections to solvent weld wall conduit Ø63 mm. Fully resin filled panel LED offering sixteen colour changing functions in RGB mode. Light available in RGB, Cool White, Warm White and Blue colour options. RGB Lights are synchronized using Atecpool LED Modulators with remote control system. Maximum power consumption of 9W and can be connected to a 12V AC transformer.



Easy Colour Picker



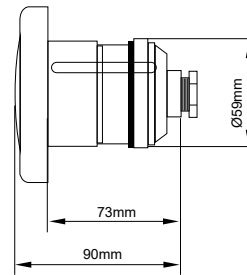
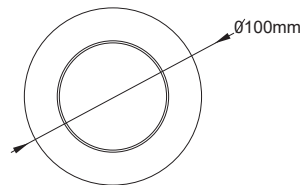
International Safety Tested  
IEC EN 60598-2-18



Fast Return on Investment



20444RGB



### Specifications

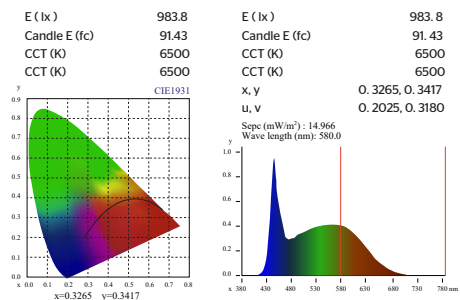
- Electrical Connection: 12V AC
- Complete with 2 core 2x10 mm<sup>2</sup> cable
- Material of construction: SS AISI 316
- Protection Class: IP68
- Lamp Life: Approx. 50,000 hrs
- Supplied with 2 m cable
- 16 programs with synchronized capability

### Features

- Consumes 90% less energy than traditional lighting.
- Eco-friendly, no radiation.
- Low power consumption, low heat dissipation.
- Light transmission rate up to 92%.
- PWM technology adopted
- No niche, solvent weld wall conduits Ø63 mm suitable for quick push-fit connections Lumina Mini S.S. Lights

Code	Description	Power / Voltage	Lumen (lm)	Color Temperature
20444RGB	Lumina Mini Spa LED S.S RGB	9W / 12V AC	400	RGB 16 Mode
20444CW	Lumina Mini Spa Led S.S. Cool White	9W / 12V AC	720	6500K
20444WW	Lumina Mini Spa LED S.S Warm White	9W / 12V AC	640	3000K
20444B	Lumina Mini Spa LED S.S Blue	9W / 12V AC	220	Single Blue

### Photometrics - 20444 CW 9W 6500K LED / 12V AC



2 years warranty

Atecpool Lighting

Lumina Mini Spa LED Lighting Stainless Steel 316

# Lumina Mini Spa LED Lighting

## ABS WITH S.S. FACEPLATE

### Atecpool Lumina Mini Spa LED Panel Lighting - ABS with S.S. trim and ABS

Lumina Mini SPA lighting in ABS with quick connections to 2" threaded wall conduit. Fully resin filled panel LED offering sixteen colour changing functions in RGB mode. Light available in RGB, Cool White, Warm White and Blue colour options. RGB Lights are synchronized using Atecpool LED Modulators with remote control system. Maximum power consumption of 7W and can be connected to a 12V AC transformer.



Easy Colour Picker



International Safety Tested  
IEC EN 60598-2-18



Fast Return on Investment

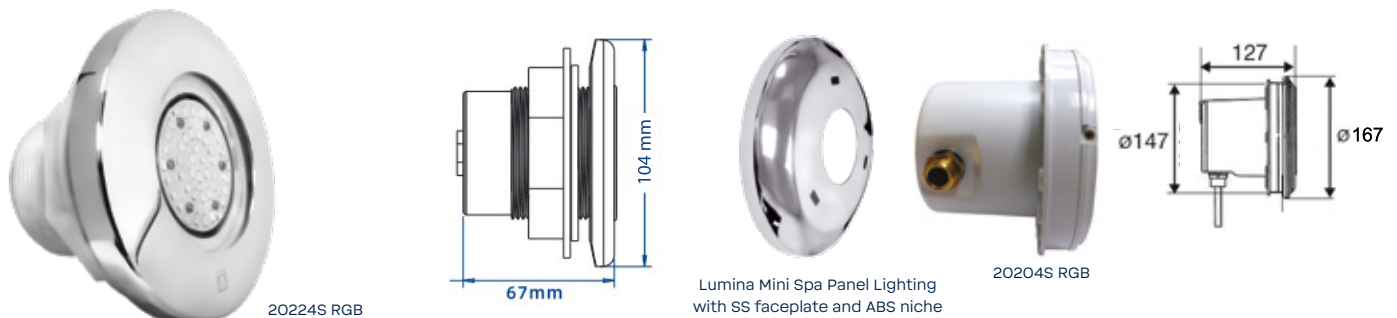
#### Specifications

- Electrical Connection: 12V AC
- Complete with 2 core 2x10 mm<sup>2</sup> cable
- Material of construction: ABS
- Protection Class: IP68
- Lamp Life: Approx. 50,000 hrs
- Supplied with 2 m cable
- 16 programs with synchronized capability

#### Features

- Consumes 90% less energy than traditional lighting.
- Eco-friendly, no radiation.
- Low power consumption, low heat dissipation.
- Light transmission rate up to 92%.
- PWM technology adopted
- 2" threaded wall conduits suitable for quick connections Lumina Mini ABS Spa Lights

### Lumina Mini Spa LED Panel Lighting - ABS with S.S. faceplate



Code	Niche Type	Description	Power / Voltage	Lumen (lm)	Color Temperature
Threaded Type	Niche Type				
<b>20224S RGB</b>	<b>20204S RGB</b>	Lumina Mini LED ABS with S.S. trim RGB	6W / 12V AC	350	RGB 16 Mode
<b>20224S CW</b>	<b>20205S CW</b>	Lumina Mini LED ABS with S.S. trim Cool White	7W / 12V AC	600	6500K
<b>20224S WW</b>	<b>20206S WW</b>	Lumina Mini LED ABS with S.S. trim Warm White	7W / 12V AC	560	3000K
<b>20224S BLUE</b>	<b>20207S BLUE</b>	Lumina Mini LED ABS with S.S. trim Blue	7W / 12V AC	165	Single Blue

### Lumina Mini Spa LED Panel Lighting - ABS



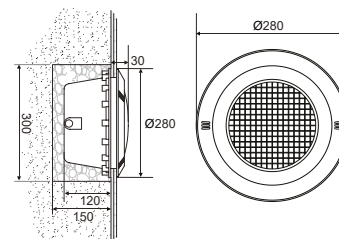
Code	Niche Type	Description	Power / Voltage	Lumen (lm)	Color Temperature
Threaded Type	Niche Type				
<b>20224 RGB</b>	<b>20204 RGB</b>	Lumina Mini LED ABS RGB	6W / 12V AC	350	RGB 16 Mode
<b>20224 CW</b>	<b>20205 CW</b>	Lumina Mini LED ABS Cool White	7W / 12V AC	600	6500K
<b>20224 WW</b>	<b>20206 WW</b>	Lumina Mini LED ABS Warm White	7W / 12V AC	560	3000K
<b>20224 BLUE</b>	<b>20207 BLUE</b>	Lumina Mini LED ABS Blue	7W / 12V AC	165	Single Blue

# Atecpool ABS Halogen Lights

FOR CONCRETE, LINER AND PRE-FABRICATED POOL

## Atecpool ABS Halogen Standard Lights 300W / 12V

Frame made of white ABS, niche in white plastic. Complete with a 300W / 12V PAR56 bulb and 2X4 mm<sup>2</sup> cable of 3 m length. Two alternative cable outlets on the niche to pass through side or bottom. The light fixture is designed with additional cooling vents for halogen bulbs. Faceplate screwed directly to the niche using S.S. locking mechanisms holding the fixture tight. IP68 waterproof.



### Specifications

- ➔ Electrical Connection: 12V AC
- ➔ High-quality Chemical resistant ABS Plastic with UV protection
- ➔ Construction: Frame in white ABS, niche in white plastic

### Features

- ➔ Hose connection with M-25 gland seal body
- ➔ Supplied with 3 m cable
- ➔ S.S. Locking mechanism for fixing the light in ABS housing



81300

## Atecpool ABS Halogen Light - Concrete

Code	Description	Packing	Weight (kg)
81300	ABS Light 300W / 12V with niche concrete	1	2.8
82300	ABS Light 300W / 12V with niche S.S. trim concrete	1	3.15



81301

## Atecpool ABS Halogen Light - Liner

Code	Description	Packing	Weight (kg)
81301	ABS Light 300W / 12V with niche liner	1	3.15
82301	ABS Light 300W / 12V with niche S.S. trim liner	1	3.45



84300

## Atecpool ABS Halogen Light - Pre-fabricated

Code	Description	Packing	Weight (kg)
84300	ABS Light 300W / 12V with niche pre-fabricated	1	3.2
82302	ABS Light 300W / 12V with niche S.S. trim pre-fabricated	1	3.55

## Niche for underwater ABS Lights



01580

Made in white plastic with option for two alternative cable outlets on the niche, side or bottom. Niches standard for underwater lights codes ( 81300, 82300, 81301, 82301, 84300, 82302) Niches supplied without cable.

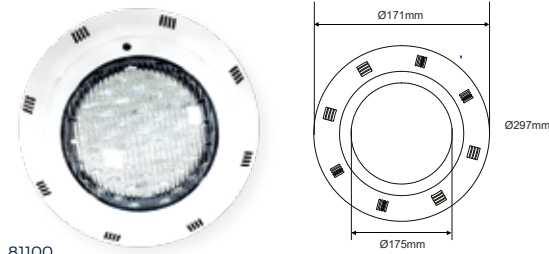
Code	Description	Packing
01580	Niche for 300W / 12V ABS Standard Lights	4

# Atecpool Extra Flat ABS Lights

## ABS EXTRA FLAT FOR CONCRETE

### Atecpool Extra Flat ABS Light 100W / 12V

Flat type surface mounted 100W / 12V halogen underwater light Body and rim made of white ABS. Supplied with 3m, 2 core 1.5 mm<sup>2</sup> cable, niche not required for installation. Fixing to the wall using reinforced plastic cross, plugs and screws. IP68 waterproof.



81100

Code	Description	Weight (kg)	Volume (m <sup>3</sup> )
81100	ABS Extra Flat 100W / 12V	2.25	0.014

### Atecpool Spa Mini Light 50W / 12V - For concrete and liner

Atecpool Spa Mini Light niche type 50W / 12V halogen underwater light. Made of white ABS. The fixture uses aluminised 50W / 12V halogen lamp with 38° beam angle at 4 m distance with an illuminated circle of 2.5 m. Supplied with 3 m, HO7RN-F cable (2 core 1.5mm<sup>2</sup>). Easy to dismantle using the faceplate as a tool to replace the lamp. Available in ABS faceplate with SS trim.



81050

Code	Description	Weight (kg)	Volume (m <sup>3</sup> )
81050	ABS Spa Mini Light 50W / 12V with niche concrete	2.25	0.014
81050 S	ABS Spa Mini Light 50W / 12V with niche concrete S.S. trim	3.15	0.014

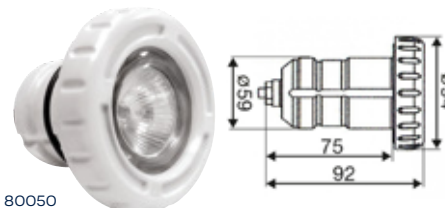


81150

Code	Description	Weight (kg)	Volume (m <sup>3</sup> )
81150	ABS Spa Mini Light 50W / 12V with niche liner	2.5	0.014
81150 S	ABS Spa Mini Light 50W / 12V with niche liner	3.65	0.014

### Atecpool Spa Mini Dichro Light 50W / 12V - For concrete and liner

Atecpool Spa Mini Dichro Light 50W / 12V halogen underwater light. Made of white ABS. The fixture uses aluminised 50W / 12V halogen lamp with a 38° beam angle at 4 m distance with an illuminated circle of 2.5 m. Supplied with 3 m, HO7RN-F cable (2 core 1.5mm<sup>2</sup>). Easy installation with push-fit and threaded connections to wall conduits.



80050

#### Atecpool Spa Mini Dichro Light 50W / 12V slip fit connection to Ø63 mm wall conduit for concrete pool

Code	Description	Weight (kg)	Volume (m <sup>3</sup> )
80050	ABS Spa Mini Dichro Light 50W / 12V slip fit	2.5	0.014



88050

#### Atecpool Spa Mini Dichro Light 50W / 12V quick connection to 2" threaded wall conduit for concrete and liner pool

Code	Description	Weight (kg)	Volume (m <sup>3</sup> )
80050-01	ABS Spa Mini Dichro Light 50W / 12V threaded concrete	2.5	0.014
88050	ABS Spa Mini Dichro Light 50W / 12V threaded liner	2.9	0.014

# Atecpool Vitrage LED Light

## 3 LED SERIES



### Atecpool Vitrage 3 LED Underwater Light - Symmetrical and Asymmetrical

Vitrage 3 LED Light, complete body construction in AISI 316 Stainless Steel supplied with an ABS niche specially designed for your Pool and Spa. Waterproof IP68. Available in cool white, warm white, blue and RGB. SS 316 niche available upon request

### Specifications

- Made of Stainless Steel AISI 316
- Gasket made in EPDM
- Tempered Glass T = 9 mm
- Reflector: Optical lens, efficiency ≥85%
- Cable gland: IP-68 PG-11 copper with nickel-coated
- Single or RGB (3 in 1) LED
- Mounting sleeve in PVC
- PCB: Excellent heat conductivity aluminium, coefficient of heat, Conductivity ≥ 2.0w / mk. Constant current output.
- Water temperature -20°C to 40°C less than one meter depth
- Power cable: H05RN-F 2 X 0.75 mm<sup>2</sup> L = 2 m (12V AC)
- H05RN-F 4 x 0.75 mm<sup>2</sup> L = 2 m (24V DC RGB type)
- H05RN-F 5 x 1 mm<sup>2</sup> L = 2 m (24V DC RGBW, DMX compatible)
- DALI controls compatible Vitrage series upon request

### Vitrage 3 LED Concrete Pools

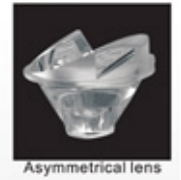


ATZ1973 CW

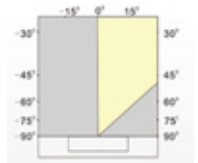
### Vitrage 3 LED Liner Pools



ATZ1973 CWL



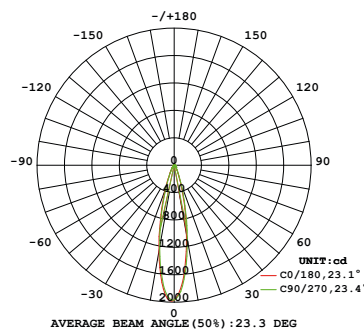
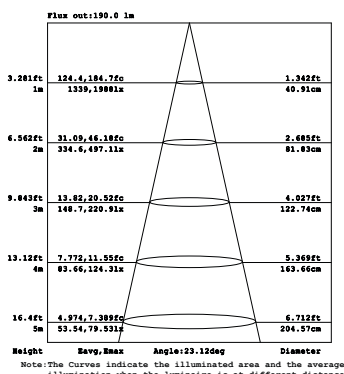
Asymmetrical lens



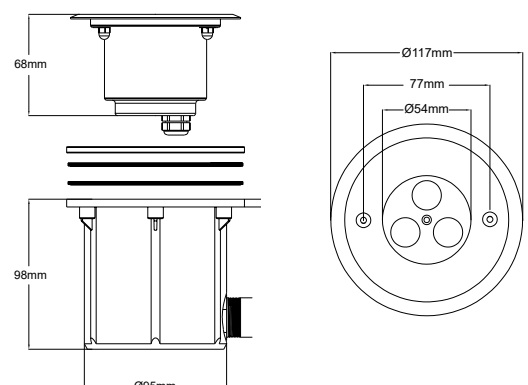
SYMMETRICAL	Concrete Code	Liner Code	Description	Voltage/Power	Beam Angle	Lumen (lm)	Color Temperature
	ATZ1973 CW	ATZ1973 CWL	Vitrage 3 LED Cool White	12V AC/DC / 3x3 W	30° Symmetrical	720	Cool White 6500K
	ATZ1973 WW	ATZ1973 WWL	Vitrage 3 LED Warm White	12V AC/DC / 3x3 W	30° Symmetrical	640	Warm White 3000K
	ATZ1973 B	ATZ1973 BL	Vitrage 3 LED Blue	12V AC/DC / 3x3 W	30° Symmetrical	220	Single Blue
	ATZ1973 RGB	ATZ1973 RGBL	Vitrage 3 LED RGB	12~24V DC/3x3 W	30° Symmetrical	450	RGB 14 Modes
	ATZ1973 RGBW	ATZ1973 RGBWL	Vitrage 3 LED RGBW	12~24V DC/3x3 W	30° Symmetrical	640	RGB 14 Modes/W 3000K

ASYMMETRICAL	Concrete Code	Liner Code	Description	Voltage/Power	Beam Angle	Lumen (lm)	Color Temperature
	ATZ1974 CW	ATZ1974 CWL	Vitrage 3 LED Cool White	12V AC/DC / 3x3 W	45° Asymmetrical	725	Cool White 6500K
	ATZ1974 WW	ATZ1974 WWL	Vitrage 3 LED Warm White	12V AC/DC / 3x3 W	45° Asymmetrical	645	Warm White 3000K
	ATZ1974 B	ATZ1974 BL	Vitrage 3 LED Blue	12V AC/DC / 3x3 W	45° Asymmetrical	225	Single Blue
	ATZ1974 RGB	ATZ1974 RGBL	Vitrage 3 LED RGB	12~24V DC/3x3 W	45° Asymmetrical	445	RGB 14 Modes
	ATZ1974 RGBW	ATZ1974 RGBWL	Vitrage 3 LED RGBW	12~24V DC/3x3 W	45° Asymmetrical	645	RGB 14 Modes/W 3000K

### Photometric Data: ATZ1973 CW - 6500K, 30°

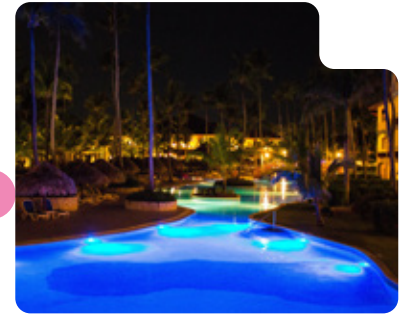


### Dimension



# Atecpool Vitrage LED Light

## 6 LED SERIES



### Atecpool Vitrage 6 LED Underwater Light- Symmetrical and Asymmetrical

Vitrage 6 LED Light, complete body construction in AISI 316 Stainless Steel supplied with an ABS niche specially designed for your Pool and Spa. Waterproof IP68. Available in cool white, warm white, blue and RGB. SS 316 niche available upon request

### Specifications

- ➔ Made of Stainless Steel AISI 316
- ➔ Gasket made in EPDM
- ➔ Tempered Glass T = 9 mm
- ➔ Reflector: Optical lens, efficiency  $\geq 85\%$
- ➔ Cable gland: IP-68 PG-11 copper with nickel-coated
- ➔ Single or RGB (3 in 1) LED
- ➔ Mounting sleeve in PVC
- ➔ PCB: Excellent heat conductivity aluminium, coefficient of heat, Conductivity  $\geq 2.0w /mk$ . Constant current output.
- ➔ Water temperature  $-20^{\circ}C$  to  $40^{\circ}C$  less than one meter depth
- ➔ Power cable: H05RN-F 2 X 0.75 mm<sup>2</sup> L = 2 m (12V AC)
- ➔ H05RN-F 4 x 0.75 mm<sup>2</sup> L = 2 m (24V DC RGB type)
- ➔ H05RN-F 5 x 1 mm<sup>2</sup> L = 2 m (24V DC RGBW, DMX compatible)
- ➔ DALI controls compatible Vitrage series upon request

### Vitrage 6 LED Concrete Pools

### Vitrage 6 LED Liner Pools



ATZ1201 CW

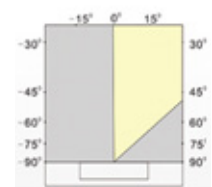
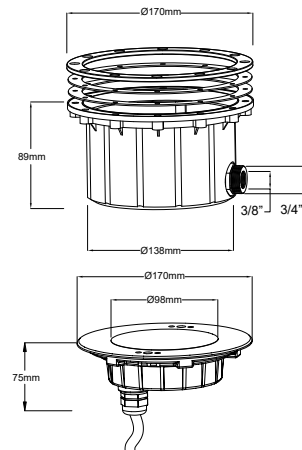
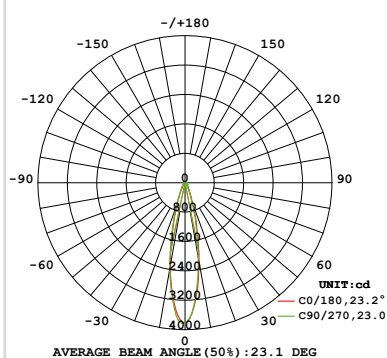
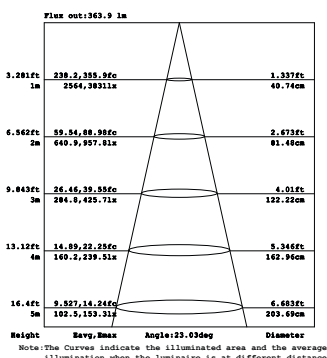


ATZ1205 CWL

SYMMETRICAL	Concrete Code	Liner Code	Description	Voltage/Power	Beam Angle	Lumen (lm)	Color Temperature
	ATZ1201 CW	ATZ1201 CWL	Vitrage 6 LED Cool White	12V AC/DC / 6x3 W	30° Symmetrical	1750	Cool White 6500K
	ATZ1201 WW	ATZ1201 WWL	Vitrage 6 LED Warm White	12V AC/DC / 6x3 W	30° Symmetrical	1400	Warm White 3000K
	ATZ1201 B	ATZ1201 BL	Vitrage 6 LED Blue	12V AC/DC / 6x3 W	30° Symmetrical	380	Single Blue
	ATZ1201 RGB	ATZ1201 RGBL	Vitrage 6 LED Full RGB	12~24V DC/6x3 W	30° Symmetrical	925	RGB 14 Modes
	ATZ1201 RGBW	ATZ1201 RGBWL	Vitrage 6 LED RGBW	12~24V DC/6x3 W	30° Symmetrical	1400	RGB 14 Modes/W 3000K

ASYMMETRICAL	Concrete Code	Liner Code	Description	Voltage/Power	Beam Angle	Lumen (lm)	Color Temperature
	ATZ1205 CW	ATZ1205 CWL	Vitrage 6 LED Cool White	12V AC/DC / 6x3 W	45° Asymmetrical	1755	Cool White 6500K
	ATZ1205 WW	ATZ1205 WWL	Vitrage 6 LED Warm White	12V AC/DC / 6x3 W	45° Asymmetrical	1405	Warm White 3000K
	ATZ1205 B	ATZ1205 BL	Vitrage 6 LED Blue	12V AC/DC / 6x3 W	45° Asymmetrical	385	Single Blue
	ATZ1205 RGB	ATZ1205 RGBL	Vitrage 6 LED Full RGB	12~24V DC/6x3 W	45° Asymmetrical	930	RGB 14 Modes
	ATZ1205 RGBW	ATZ1205 RGBWL	Vitrage 6 LED RGBW	12~24V DC/6x3 W	45° Asymmetrical	1405	RGB 14 Modes/W 3000K

### Photometric Data: ATZ1201 CW - 6500K, 30°



# Atecpool Vitrage LED Light

## 9 LED SERIES



### Atecpool Vitrage 9 LED Underwater Light - Symmetrical and Asymmetrical

Vitrage 9 LED Light, complete body construction in AISI 316 Stainless Steel supplied with an ABS niche specially designed for your Pool and Spa. Waterproof IP68. Available in cool white, warm white, blue and RGB. SS 316 niche available upon request

### Specifications

- Made of Stainless Steel AISI 316
- Gasket made in EPDM
- Tempered Glass T = 9 mm
- Reflector: Optical lens, efficiency ≥85%
- Cable gland: IP-68 PG-11 copper with nickel-coated
- Single or RGB (3 in 1) LED
- Mounting sleeve in PVC
- PCB: Excellent heat conductivity aluminium, coefficient of heat, Conductivity ≥ 2.0w /mk. Constant current output.
- Water temperature -20°C to 40°C less than one meter depth
- Power cable: H05RN-F 2 X 0.75 mm<sup>2</sup> L = 2 m (12V AC)
- H05RN-F 4 x 0.75 mm<sup>2</sup> L = 2 m (12V DC RGB type)
- H05RN-F 5 x 1 mm<sup>2</sup> L = 2 m (24V DC RGBW, DMX compatible)
- DALI controls compatible Vitrage series upon request

### Vitrage 9 LED Concrete Pools



ATZ1202 CW

### Vitrage 9 LED Liner Pools

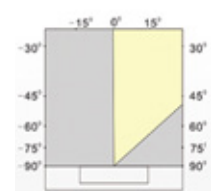
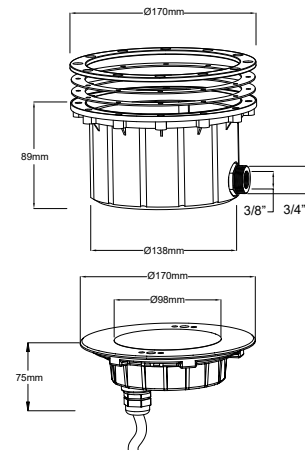
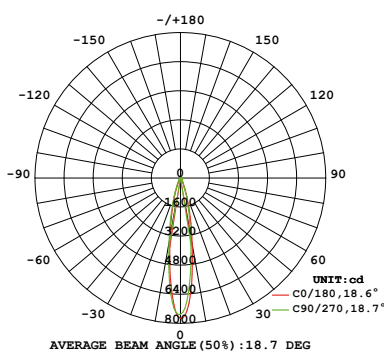
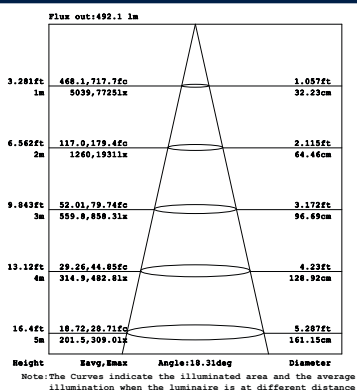


ATZ1206 CWL

SYMMETRICAL	Concrete Code	Liner Code	Description	Voltage/Power	Beam Angle	Lumen (lm)	Color Temperature
	ATZ1202 CW	ATZ1202 CWL	Vitrage 9 LED Cool White	12V AC/DC / 9x3 W	30° Symmetrical	2160	Cool White 6500K
	ATZ1202 WW	ATZ1202 WWL	Vitrage 9 LED Warm White	12V AC/DC / 9x3 W	30° Symmetrical	1880	Warm White 3000K
	ATZ1202 B	ATZ1202 BL	Vitrage 9 LED Blue	12V AC/DC / 9x3 W	30° Symmetrical	660	Single Blue
	ATZ1202 RGB	ATZ1202 RGBL	Vitrage 9 LED Full RGB	12~24V DC/9x3 W	30° Symmetrical	1450	RGB 14 Modes
	ATZ1202 RGBW	ATZ1202 RGBWL	Vitrage 9 LED RGBW	12~24V DC/9x3 W	30° Symmetrical	1880	RGB 14 Modes/W 3000K

ASYMMETRICAL	Concrete Code	Liner Code	Description	Voltage/Power	Beam Angle	Lumen (lm)	Color Temperature
	ATZ1206 CW	ATZ1206 CWL	Vitrage 9 LED Cool White	12V AC/DC / 9x3 W	45° Asymmetrical	2160	Cool White 6500K
	ATZ1206 WW	ATZ1206 WWL	Vitrage 9 LED Warm White	12V AC/DC / 9x3 W	45° Asymmetrical	1880	Warm White 3000K
	ATZ1206 B	ATZ1206 BL	Vitrage 9 LED Blue	12V AC/DC / 9x3 W	45° Asymmetrical	660	Single Blue
	ATZ1206 RGB	ATZ1206 RGBL	Vitrage 9 LED Full RGB	12~24V DC/9x3 W	45° Asymmetrical	1450	RGB 14 Modes
	ATZ1206 RGBW	ATZ1206 RGBWL	Vitrage 9 LED RGBW	12~24V DC/9x3 W	45° Asymmetrical	1880	RGB 14 Modes/W 3000K

### Photometric Data: ATZ1202 CW - 6500K, 30°



# Atecpool Vitrage LED Light

## 12 LED SERIES



### Atecpool Vitrage 12 LED Underwater Light - Symmetrical and Asymmetrical

Vitrage 12 LED Light, complete body construction in AISI 316 Stainless Steel supplied with an ABS niche specially designed for your Pool and Spa. Waterproof IP68. Available in cool white, warm white, blue and RGB. SS 316 niche available upon request

#### Specifications

- ➔ Made of Stainless Steel AISI 316
- ➔ Gasket made in EPDM
- ➔ Tempered Glass T=9 mm
- ➔ Reflector: Optical lens, efficiency ≥85%
- ➔ Cable gland: IP-68 PG-11 copper with nickel-coated
- ➔ Single or RGB (3 in 1) LED
- ➔ Mounting sleeve in PVC
- ➔ PCB: Excellent heat conductivity aluminium, coefficient of heat, Conductivity ≥ 2.0w /mk. Constant current output.
- ➔ Water temperature -20°C to 40°C less than one meter depth
- ➔ Power cable: H05RN-F 2 X 0.75 mm<sup>2</sup> L = 2 m (12V AC)
- ➔ H05RN-F 4 x 0.75 mm<sup>2</sup> L = 2 m (24V DC RGB type)
- ➔ H05RN-F 5 x 1 mm<sup>2</sup> L = 2 m (24V DC RGBW, DMX compatible)
- ➔ DALI controls compatible Vitrage series upon request

#### Vitrage 12 LED Symmetrical

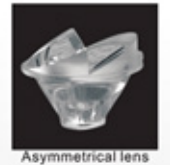
#### Vitrage 12 LED Asymmetrical



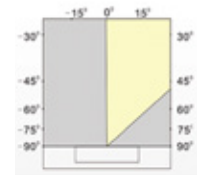
ATZ1811 CW



ATZ1805 CW



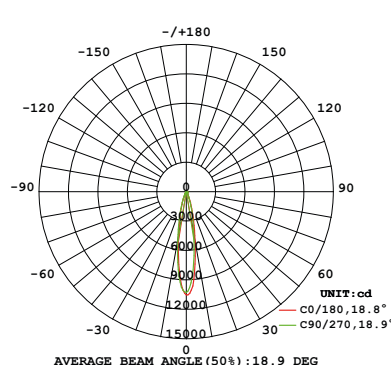
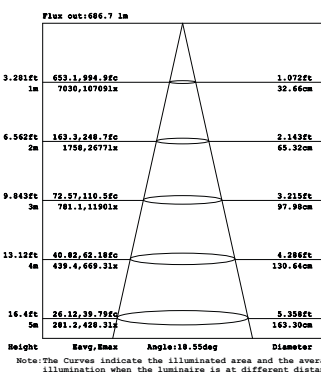
Asymmetrical lens



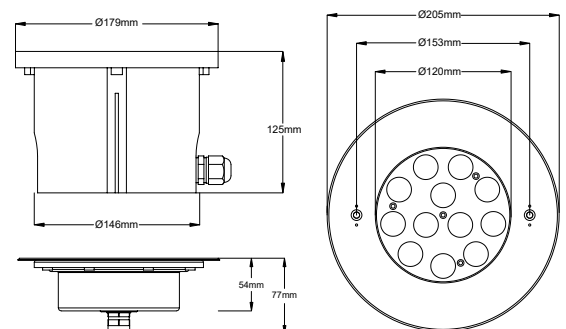
Code	Description	Voltage	Power	Beam Angle	Lumen (lm)	Color Temperature
ATZ1811CW	Vitrage 12 LED Cool White	12V AC/DC	12x3 W	30° Symmetrical	3300	Cool White 6500K
ATZ1811 WW	Vitrage 12 LED Warm White	12V AC/DC	12x3 W	30° Symmetrical	2600	Warm White 3000K
ATZ1811 B	Vitrage 12 LED Blue	12V AC/DC	12x3 W	30° Symmetrical	790	Single Blue
ATZ1811 RGB	Vitrage 12 LED Full RGB	12~24V DC	12x3 W	30° Symmetrical	1750	RGB 14 Modes
ATZ1811 RGBW	Vitrage 12 LED RGBW	12~24V DC	12x3 W	30° Symmetrical	2600	RGB 14 Modes/W 3000K

Code	Description	Voltage	Power	Beam Angle	Lumen (lm)	Color Temperature
ATZ1805 CW	Vitrage 12 LED Cool White	12V AC/DC	12x3 W	45° Asymmetrical	3305	Cool White 6500K
ATZ1805 WW	Vitrage 12 LED Warm White	12V AC/DC	12x3 W	45° Asymmetrical	2604	Warm White 3000K
ATZ1805 B	Vitrage 12 LED Blue	12V AC/DC	12x3 W	45° Asymmetrical	794	Single Blue
ATZ1805 RGB	Vitrage 12 LED Full RGB	12~24V DC	12x3 W	45° Asymmetrical	1755	RGB 14 Modes
ATZ1805 RGBW	Vitrage 12 LED RGBW	12~24V DC	12x3 W	45° Asymmetrical	2604	RGB 14 Modes/W 3000K

#### Photometric Data: ATZ1811 CW - 6500K, 30°



#### Dimension

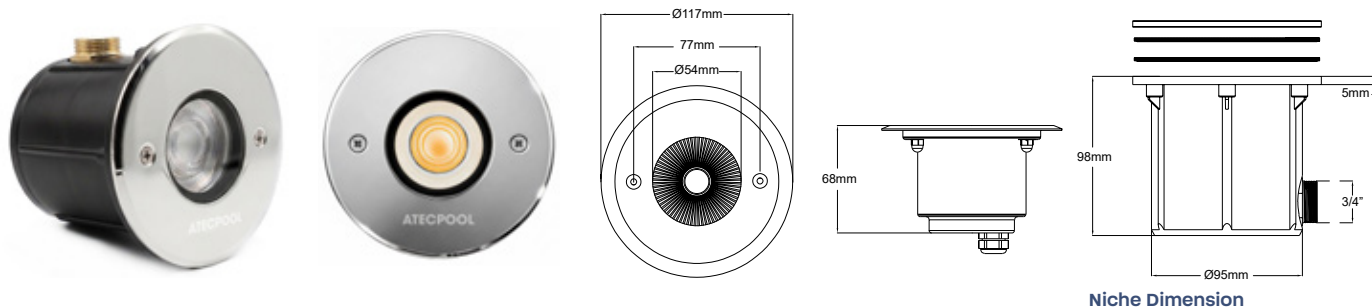


# Atecpool Starry Series

## SPOT LED S.S. 316

### Atecpool Spot Underwater Uno LED

Spot Uno LED, with a complete body made of AISI 316 stainless steel, supplied with an ABS niche specially for creating design spot lighting in water features, pool and spa. Waterproof IP68. Available in cool white, warm white and blue. Power cable: H05RN-F 2 X 0.75 mm<sup>2</sup> L = 2 m (12V AC). Single colour LED = 1 circuit output. SS 316 niche available upon request.



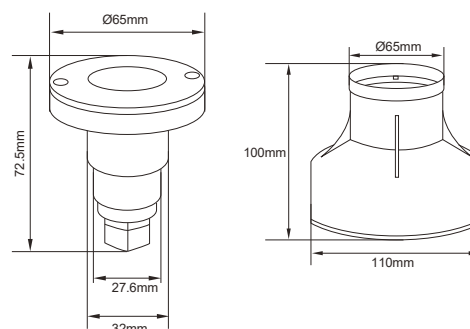
Code	Description	Voltage	Power	Beam Angle	Lumen (lm)	Color Temperature
ATZ1075 CW	Spot Uno LED Cool White	12V AC/DC	1x15 W	30°	1400	Cool White 6500K
ATZ1075 WW	Spot Uno LED Warm White	12V AC/DC	1x15 W	30°	1150	Warm White 3000K
ATZ1075 B	Spot Uno LED Blue	12V AC/DC	1x15 W	30°	325	Single Blue
ATZ1075 RGB	Spot Uno LED RGB	12V DC	1x15 W	30°	285	RGB 14 modes

### Atecpool Starry Series Underwater Spot LED with niche

Spot LED S.S. 316, designed for starry effect, with a complete body made of AISI 316 stainless steel, supplied with an ABS niche specially designed for water features, pool and spa. Waterproof IP68. Available in cool white, warm white, blue and RGB.

#### Specifications

- Made of Stainless Steel AISI 316
- Glass: Step tempered glass T = 8 mm
- Cable gland: IP68 PG11
- Single colour LED = 1 circuit output
- RGB 3 in 1 LED=3 circuit output
- Driver: constant current output
- Application environmental: Temperature of water between -20°C to 40°C less than 1 meter depth
- Power cable: H05RN-F 2 X 0.75 mm<sup>2</sup> L = 2 m (12V AC).
- H05RN-F 4 X 0.75 mm<sup>2</sup> L = 2 m (24V DC RGB type)
- H05RN-F 5 X 1 mm<sup>2</sup> L = 2 m (24V DC RGBW, DMX compatible)
- DALI controls compatible Vitrage series upon request.



Code	Description	Voltage	Power	Beam Angle	Lumen (lm)	Color Temp
ATZ1073 CW	Spot LED Cool White	12V AC/DC	1x3 W	30°	280	Cool White 6500K
ATZ1073 WW	Spot LED Warm White	12V AC/DC	1x3 W	30°	190	Warm White 3000K
ATZ1073 B	Spot LED Blue	12V AC/DC	1x3 W	30°	55	Single Blue
ATZ1073 RGB	Spot LED RGB	24V DC	1x3 W	30°	145	RGB 14 Modes
ATZ1073 RGBW	Spot LED RGBW	24V DC	1x3 W	30°	190	RGB 14 Modes/W 3000K

# Atecpool Starry Series

## SPOT LED S.S. 316

### Atecpool Starry Series Underwater COB LED

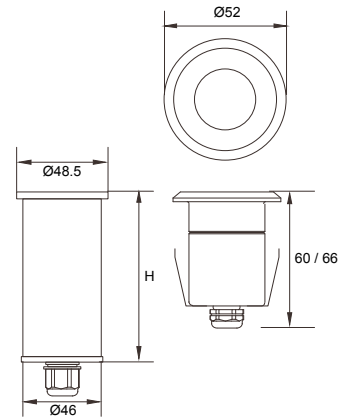
Spot LED S.S. 316, designed for starry effect, with a complete body made of AISI 316 stainless steel, supplied with pipe type niche for easy installation (ABS/SS niche). Push-fit type light using clamps. Waterproof IP68. Available in cool white, warm white, blue and RGB. Power options with COB LED of 1x3 W for single color and 1x5W for RGB.



ATZ1074



ATZ1074-1



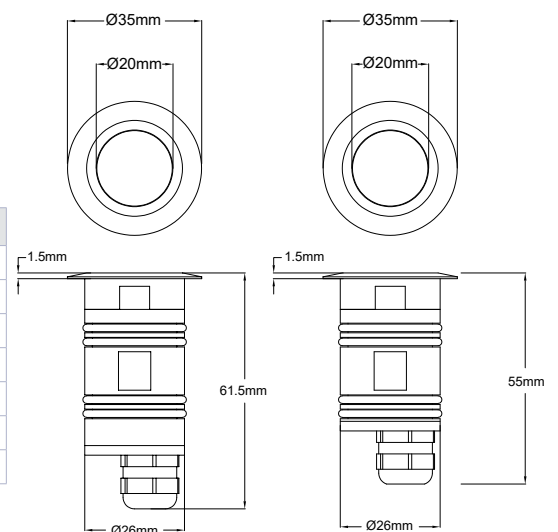
Code	Description	Voltage	Power	Beam Angle	Lumen (lm)	Height H (mm)	Color Temp
<b>ABS niche</b>							
<b>ATZ1074 CW</b>	COB LED Cool White ABS niche	12V AC/DC	1x3 W	30°	280	80	Cool White 6500K
<b>ATZ1074 WW</b>	COB LED Warm White ABS niche	12V AC/DC	1x3 W	30°	190	80	Warm White 3000K
<b>ATZ1074 B</b>	COB LED Blue ABS niche	12V AC/DC	1x3 W	30°	60	80	Single Blue
<b>ATZ1074 RGB</b>	COB LED RGB ABS niche	24V DC	1x3 W	30°	145	87	RGB 14 modes
<b>SS niche</b>							
<b>ATZ1074-1 CW</b>	COB LED Cool White SS niche	12V AC/DC	1x3 W	30°	280	87	Cool White 6500K
<b>ATZ1074-1 WW</b>	COB LED Warm White SS niche	12V AC/DC	1x3 W	30°	190	87	Warm White 3000K
<b>ATZ1074-1 B</b>	COB LED Blue SS niche	12V AC/DC	1x3 W	30°	60	87	Single Blue
<b>ATZ1074-1 RGB</b>	COB LED RGB SS niche	24V DC	1x3 W	30°	145	87	RGB 14 Modes

### Atecpool Starry Series Underwater Nova LED

Starry series Nova LED, designed for starry effect, design lighting for spa and pool steps. With a complete body made of AISI 316 stainless steel Push-fit type light, waterproof IP68. Available in cool white, warm white and blue. Power options with COB LED of 1x1 W for single color. Supplied in two voltages AC and DC with variations in structure height.



Code	Description	Voltage	Power	Lumen (lm)	Color Temp
<b>ATZ1077WW</b>	Nova LED Warm White	12V AC	1x1 W	105	Warm White 3000K
<b>ATZ1077CW</b>	Nova LED Cool White	12V AC	1x1 W	150	Cool White 6500K
<b>ATZ1077B</b>	Nova LED Blue	12V AC	1x1 W	40	Single Blue
<b>ATZ1077-1WW</b>	Nova LED Warm White	12V DC	1x1 W	105	Warm White 3000K
<b>ATZ1077-1CW</b>	Nova LED Cool White	12V DC	1x1 W	150	Cool White 6500K
<b>ATZ1077-1B</b>	Nova LED Blue	12V DC	1x1 W	40	Single Blue



AC Model Dimension

DC Model Dimension

# Atecpool LED Modulator

## CONTROL PANEL WITH REMOTE CONTROL

### Atecpool LED Modulator with remote control

#### 12V AC RGB Controls




Suitable for synchronizing RGB colour changing LED lights. Atecpool LED Modulator available in 2 core and 4 core cable connections. Atecpool 2 core LED Modulator R2007 used with Radiant PAR56, Spectra, Spectra High Power, Lumina and Lumina Mini colour changing RGB LED lights.

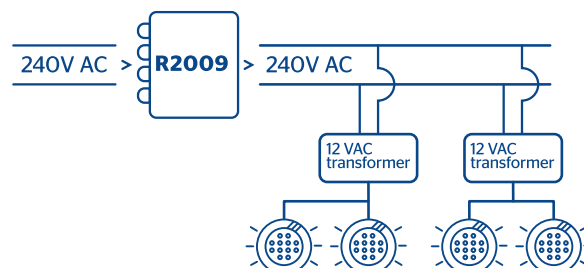
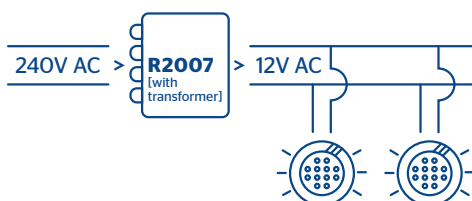


**2 CORE**  
connection  
-WITH REMOTE CONTROL-

### Specifications

- 4 types of 2 core 12V AC RGB Controls:
  - With transformer inbuilt
  - Without transformer
  - With fixed color remote
  - With antenna (for long distance pump room)
- Fixed color remote allows to chose precise color without following preset modes with direct switching.
- Antenna allows to keep controls in closed plant room at maximum distance upto 30 meters from pool. Remote control access made easy with only antenna exposed near pool.
- Maximum lights power ( Watts ) connected to 2 core LED Modulator with external transformer limited to 1500W.
- The entire Radiant, Spectra, Lumina and Lumina Mini range lighting can be controlled by a single remote control.
- Panel available with and without transformer. Those without transformer should be connected to a step-down transformer of 12V AC.

	Code	Description	Power/Voltage
	R2007	Atecpool LED Modulator 2 core with transformer	200W/12V AC (output)
	R2009	Atecpool LED Modulator 2 core w/o transformer	1500W (max) / 220-240V AC (output)
	R2007FX	Atecpool LED Modulator 2 Core with transformer Fixed Color Remote	200W/12V AC (output)
	R2009FX	Atecpool LED Modulator 2 Core w/o transformer Fixed Color Remote	1500W (max) / 220-240V AC (output)
	R2009ATFX	Atecpool LED Modulator 2 Core w/o transformer w/ antenna Fixed Color Remote	1500W (max) / 220-240V AC (output)



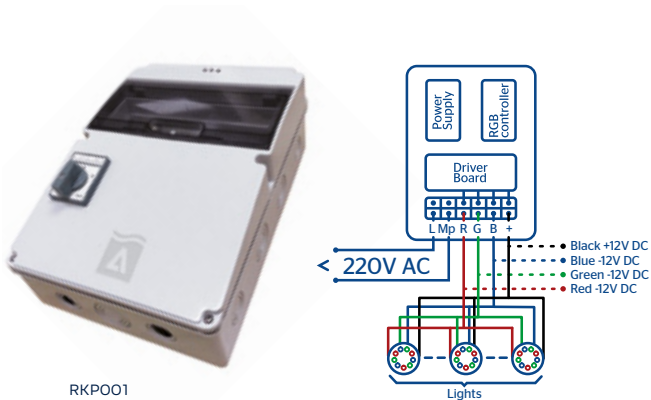
# Atecpool LED Modulator

## CONTROL PANEL WITH REMOTE CONTROL

### Atecpool LED Modulator with remote control

#### 24V DC RGB Controls

Atecpool 4 core LED Modulator used with Vitrage, Starry and Ladder colour changing RGB lights. Apart from selecting and synchronizing the colour, the 4 core modulator enables the user to control the sequence, pattern or speed of the light changing or to simply select a constant colour. The panel is designed to be wall mounted.



RKPO01

### Specifications

- 4 Core Connection / DC Voltage.
- Long remote control distance upto 20 meters.
- WiFi remote control on special request.
- The entire Vitrage and Ladder LED RGB lighting can be controlled by single remote control.
- RGB LED Modulator up to 150W lights 4 cable selection. Output voltage 12/24V DC for RGB 4 cable selection.
- Number of lights can be enhanced on prior request at additional cost.



### XLG/ELG power supply

Power Supply 100W / 150W / 200W / 300W  
AC input 100 - 240V AC / Output 12/24V DC. Rating: IP67

Code	Description	Power
ELG/XLG-300-12A	Power supply 12V DC	300W
ELG/XLG-300-24A	Power supply 24V DC	300W
ELG/XLG-200-12A	Power supply 12V DC	200W
ELG/XLG-200-24A	Power supply 24V DC	200W
ELG/XLG-150-12A	Power supply 12V DC	150W
ELG/XLG-150-24A	Power supply 24V DC	150W
ELG/XLG-100-12A	Power supply 12V DC	100W
ELG/XLG-100-24A	Power supply 24V DC	100W



### RGB Controller with Colorwheel Remote

Total color control, select any custom color in the rainbow wheel. Control color changing with the help of touch sensitive colour wheel remote.

Code	Description
ATLA06	RGB Controller with Colorwheel Remote



### DMX512 RGBW Controller

Touch colorwheel, touch to select R/G/B/W color, glass interface. Standard DMX512 Signal output. Control RGBW color. Control 4 zones synchronously and separately. Waterproof grade: IP20.

Code	Description	Power/Voltage	Operating temperature	Dimensions
ATLA09	DMX512 RGBW Controller	20 mA/ 12-24 V DC	0-40°C	86x86x29.1mm



### DMX-RGB-5A4CH Decoder

DMX-RGB-5A4CH decoder sets and shows DMX address via digital numeric display in compliance with DMX512 Master. Master and Slave mode available using jumper settings.

Code	Description	Input Voltage	Output Current	Output Power
ATLA08	DMX-RGB-5A4CH Decoder	12/36 V DC	4x5A	4x(60-180)W



# Atecpool Lighting

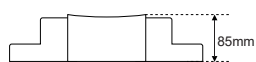
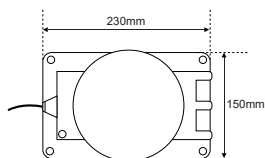
## ACCESSORIES

### Atecpool Safety Step-down Transformers IP65

Special transformer encapsulated in cast resin material protected by a plastic cover-box. Available from 100W up to 600W with output voltage of 12V AC, variable voltage of 12/14/16V AC. Variable voltage transformers resist the voltage drop between the transformer and the connection box to suit a range of different lengths and sizes of cable. Suitable for wall mounting. Protection class: IP65 50/60 Hz.



01983100



Code	Primary	Secondary	Power	Dimension L/W/D (mm)
01983100	100W / 12V AC Toroidal Transformer IP65	12V AC	100W	230 x 150 x 85
	220V-240V AC			
01983300	300W / 12V AC Toroidal Transformer IP65	12V AC	300W	230 x 150 x 85
	220V-240V AC			
01983400	400W / 12V AC Toroidal Transformer IP65	12V AC	400W	230 x 150 x 85
	220V-240V AC			
01983600	600W / 12V AC Toroidal Transformer IP65	12V AC	600W	230 x 150 x 85
	220V-240V AC			
01984100	100W / 12 - 16V AC Variable Voltage Transformer IP65	12 - 16V AC	100W	230 x 150 x 85
	220V-240V AC			
01984300	300W / 12 - 16V AC Variable Voltage Transformer IP65	12 - 16V AC	300W	230 x 150 x 85
	220V-240V AC			
01984400	400W / 12 - 16V AC Variable Voltage Transformer IP65	12 - 16V AC	400W	230 x 150 x 85
	220V-240V AC			
01984600	600W / 12 - 16V AC Variable Voltage Transformer IP65	12 - 16V AC	600W	230 x 150 x 85
	220V-240V AC			

### Atecpool Connection Box - ABS / S.S. 316 models

Three models for connection boxes manufactured in ABS or SS 316. IP65/IP68 class protection available for junction boxes. ABS/S.S junction box has 3 threaded outlets of 3/4" (PG-16), supplied with a set of electrical connectors and threaded couplers. Square type junction box standard size for the top lid : 130 x 130 mm.

Code	Description	Outlets	Connection / IP Rating
01592823	Junction Box ABS three 3/4" inlets/outlets, threaded	3	3/4" / IP65
0292020	Square Connection Box SS 316 three 3/4" BSP threaded	3	3/4" BSP / IP65
0292029	Square Connection Box SS 316 three 3/4" BSP threaded inlets/outlets with PG 16 gland and IP 68 gaskets	3	3/4" BSP / IP68
01592833	Flexible Cable Conduit Hose 1 m	-	3/4"
01592833-1	Flexible Cable Conduit Hose 1.8 m	-	3/4"



01592823



0292020



0292029



01592833

INSPIRED  
ByWater

**ATECPPOOL**  
BWT GROUP

Q [atecpool.com](http://atecpool.com)



INSPIRED  
ByWater

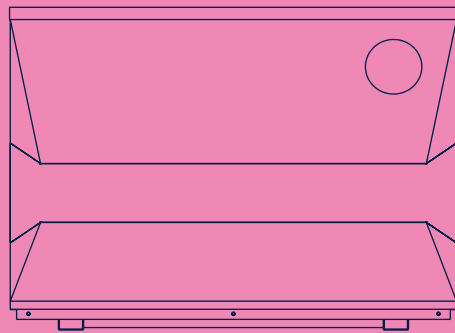
[atecpool.com](http://atecpool.com)



atecpool.com



# Pool Heating



INSPIRED  
ByWater

**ATECPOOL**

BWT GROUP



## Atecpool Thermolite Electric Heater

Atecpool's signature Thermolite high quality inline electric heater for swimming pool and spa. The electric heater is designed and engineered for exclusive deployment in above ground and in-ground swimming pools and spa centers, featuring a heating chamber constructed from **titanium** heating elements to optimize heating performance.

Characterized by a compact structural design, the

heater demonstrates adaptability for installation across diverse environments, encompassing swimming pools, spa centers, and expansive public facilities. Employing premium materials such as SUS316 stainless steel, titanium, and ABS+PC flame-retardant material, each component is selected for its distinct properties. **Titanium** heating elements are renowned for their hardness, lightweight composition, corrosion resistance, and elevated melting point.



Inverter Heat Pump

Eco-friendly and silent heating solution



# Atecpool Sirocco Torro


SIDE AND TOP DISCHARGE  
INVERTER HEAT PUMPS


 ecofriendly



 DC Inverter

 High Temperature

 Variable Speed

 Silent Operation

 Wi-Fi Enabled Heat Pumps

INSPIRED  
ByWater

**ATECPOOL**  


# Atecpool Sirocco Torro

## INVERTER HEAT PUMP



### Atecpool Sirocco Torro Side and Top Discharge



Side discharge

Atecpool Sirocco Torro Heat Pumps offer excellent value and maximize your return on investment and extends the swimming pool season more than any other heat pump with best COP. Atecpool Heat Pumps are fully tested and certified, and are listed as eco-friendly, being highly energy efficient with a COP up to 10.

#### Average COP 10

By maintaining the pool temperature for 95% of the swimming season, the heat pump operates at 50% capacity, optimizing energy efficiency while ensuring a quiet pool environment.

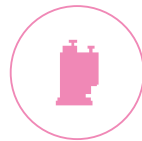
Atecpool Sirocco Torro features an intuitive touch controller, delivering an exceptionally user-friendly experience

#### Easy Touch Controller

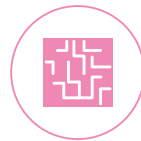


Top discharge

### Atecpool Inverter Technology



Stepless DC Inverter



Unique Inverter Control System

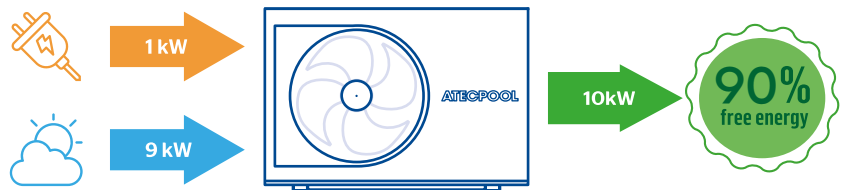


Intelligent Protection

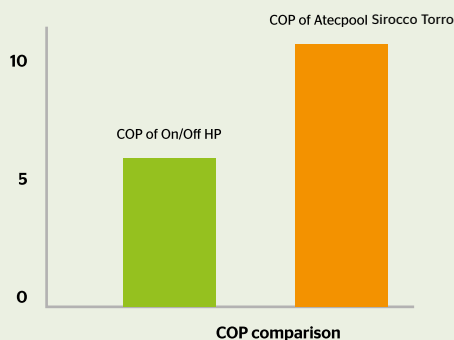
### Free Energy Technology

#### Free Energy

Atecpool Inverter technology helps in providing 90% free energy from ambient air on average.

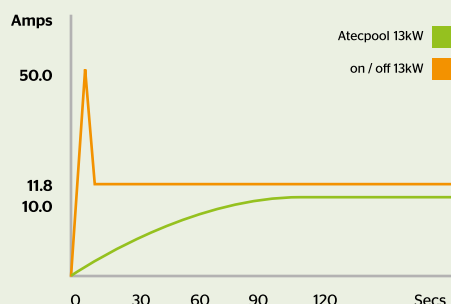


### Double Energy saving than on/off hp



### Intelligent system protection

The input current will start from 0 Amps to rated Amps steadily. No rush to house electricity system. Atecpool Sirocco can adapt to wide voltage from 180~260V and adjust the system in different conditions.

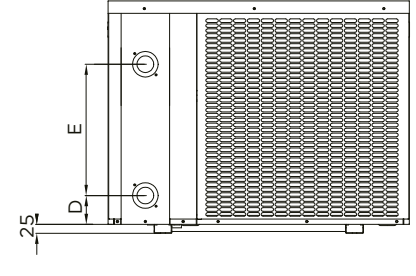
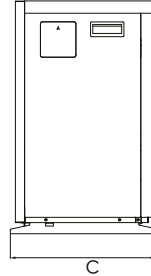
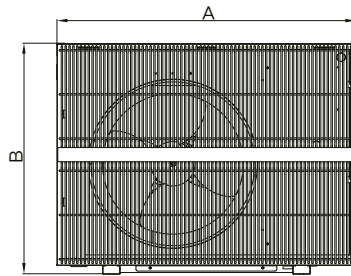


# Atecpool Sirocco Torro

## SIDE DISCHARGE INVERTER HEAT PUMP



### Atecpool Sirocco Torro Dimensions



Code	A	B	C	D	E
	(mm)	(mm)	(mm)	(mm)	(mm)
AIHP90	849	655	420	81.2	310
AIHP115	849	655	420	81.2	370
AIHP180	954	755	420	71.2	390
AIHP212	1036	955	420	71.5	540
AIHP300	1288	955	505	71.5	650
AIHP370	1288	955	505	71.5	650

### Atecpool Sirocco Torro Inverter Side Discharge

Model	AIHP90	AIHP115	AIHP180	AIHP212	AIHP300	AIHP370
<b>Heating Condition #1: Ambient Temperature: 26°C; Water Inlet/Outlet Temperature: 26°C, Humidity 80%</b>						
Heating capacity (kW)	2,59 ~9,52	3,37 ~11,36	5,40 ~18,0	5,93 ~21,94	7,27 ~29,56	12,07~36,87
Power input (kW)	0,22 ~1,49	0,26 ~1,71	0,43 ~2,82	0,47 ~3,55	0,58 ~4,66	0,84 ~6,17
COP	6,39 ~11,78	6,64 ~12,95	6,15 ~12,55	6,18 ~12,61	6,34 ~12,53	5,98 ~14,37
<b>Heating Condition #2: Ambient Temperature:15°C; Water Inlet /Outlet Temperature: 26°C; Humidity 70%</b>						
Heating capacity (kW)	2,29 ~7,67	2,57 ~8,48	3,12 ~13,14	4,77 ~16,84	6,76 ~23,01	8,79 ~27,70
Power Input (kW)	0,31 ~1,52	0,35 ~1,71	0,48 ~2,60	0,70 ~3,26	0,84 ~4,37	1,07 ~5,62
COP	5,05 ~7,37	4,96 ~7,35	5,05 ~6,50	5,16 ~6,80	5,27 ~8,04	4,93 ~8,21
<b>Cooling Condition #1: Ambient Temperature: 35°C; Water Inlet /Outlet Temperature: 28°C; Humidity 40%</b>						
Cooling capacity (kW)	3,18 ~5,36	3,84 ~6,56	6,87 ~9,52	7,42 ~11,11	8,14 ~18,13	9,53 ~21,27
Consumed power (kW)	0,67 ~1,26	0,69 ~1,62	1,24 ~2,43	1,30 ~3,06	1,08 ~4,24	1,80 ~4,67
EER	4,25 ~4,75	4,05 ~5,56	3,92 ~5,54	3,63 ~5,71	4,28 ~7,54	3,96 ~5,29
Power supply (V/Ph/Hz)	220-240V/1~/50-60Hz			380-415V/ 3~/50-60Hz		
Max. input power(kW)	2,01	2,35	3,43	4,80	6,10	7,20
Max. current (A)	8,81	10,40	14,92	7,8	9,8	11,85
Operating temperature range	-15~43°C					
Refrigerant	R32					
Air side heat exchanger	Hydrophilic aluminium fins and copper tubes					
Compressor	DC inverter, rotary					
Air flow (cfm)	1180	1294	1647	1941	3294	3706
Minimum water flow (m³/h)	3,29	3,82	5,16	7,23	9,86	11,45
Water pressure drop (kPa)	10	12	12	12	15	15
Net dimension LxWxH (mm)	850*420*655	850*420*655	955*420*755	1036*420*955	1288*505*955	1288*505*955
Water connection (mm)	50					
Net weight (kg)	54	57	72	96	123	129
Sound pressure level at 1m dB(A)	35-45	39-49	40-50	41-51	42-55	46-59

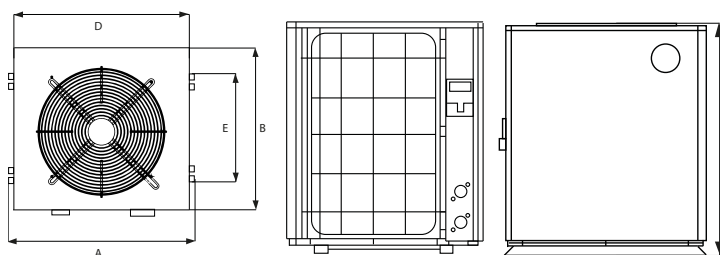
# Atecpool Sirocco Torro

## TOP DISCHARGE INVERTER HEAT PUMP

up to  
**+53°C**  
ambient

**R410A**  
GAS

### Atecpool Sirocco Torro Dimensions



Code	A	B	C	D	E
	(mm)	(mm)	(mm)	(mm)	(mm)
AVHP150	790	690	870	750	470
AVHP200	790	690	965	750	470
AVHP250	790	690	965	750	470
AVHP350	600	795	990	830	580
AVHP450	670	900	1420	830	670
AVHP650	974	904	1420	904	670

### Atecpool Sirocco Torro Inverter Top Discharge

Model	AVHP150	AVHP200	AVHP250	AVHP350	AVHP450	AVHP650
<b>Heating Condition #1: Ambient Temperature: 27°C; Water Inlet/Outlet Temperature: 26°C, Humidity 80%</b>						
Heating capacity (kW)	5,0~15	7,1~20	11~25	13,62~35	17~45	25~65
Power input (kW)	0,52~2,63	0,75~3,2	1,14~3,9	1,4~5,3	1,75~7,8	2,6~10,1
COP	5,7~9,6	6,25~9,5	6,4~9,6	6,6~9,7	5,77~9,7	6,45~9,75
<b>Heating Condition #2: Ambient Temperature: 15°C; Water Inlet /Outlet Temperature: 26°C; Humidity 70%</b>						
Heating capacity (kW)	4,2~13	5,5~15	9~19	9,5~27	13~35	18~52
Power Input (kW)	0,67~2,8	0,89~3,68	1,4~4,1	1,45~5,8	2,1~8,3	2,6~11,8
COP	4,6~6,25	4,08~6,18	4,6~6,4	4,6~6,5	4,22~6,19	4,4~6,9
<b>Cooling Condition #1: Ambient Temperature: 45°C; Water Inlet /Outlet Temperature: 30°C</b>						
Cooling Capacity (kW)	3,3~8,1	4,4~12	5,5~14	7~19	10~27	15~40
Consumed Power (kW)	1~2,7	1,57~4,08	1,7~4,6	2,1~6,3	3,0~9,0	3,3~13,80
EER	3~3,33	2,94~2,8	3,04~3,23	3~3,33	3~3,33	2,9~4,6
Power supply (V/Ph/Hz)	220-240V/ 1~/50-60Hz			380-415V/ 3~/50-60Hz		
Max. Input Power(kW)	3,8	4,29	5,28	8,0	11	16
Max. Current (A)	18	10	12	14,5	20,89	30,39
Operating temperature range	-7~53°C					
Refrigerant	R410A					
Air side heat exchanger	High efficiency hydrophilic fin					
Water Side Heat Exchanger	Titanium heat exchanger with PVC shell					
Compressor	DC inverter					
Air flow (cfm)	1800	2400	3000	4100	5300	7700
Water flow range (m³/h)	2,59~6,45	3,45~8,62	4,31~10,78	6,03~15,09	7,76~19,40	11,21~28
Water Pressure Drop (kPa)	10	12	12	15	15	18
Net dimension LxWxH (mm)	750x690x870	750x690x965	750x690x965	830x795x990	900x900x1420	1085x1055x1090
Water connection (mm)	DN50			DN63		
Weight (kg)	110	126	127	132	140	235
Sound pressure level at 1m dB(A)	≤43	≤44	≤45	≤46	≤47	≤50

High capacity inverter heat pump

For commercial installations



# Atecpool MegaHigh Inverter heat pump



Five Star Heat Pumps



ecofriendly



R410A  
GAS



DC Inverter



Variable Speed



Silent Operation



Save Money

INSPIRED  
ByWater

**ATECPOOL**  
BWT GROUP

# Atecpool MegaHigh Inverter

## COMMERCIAL HEAT PUMP

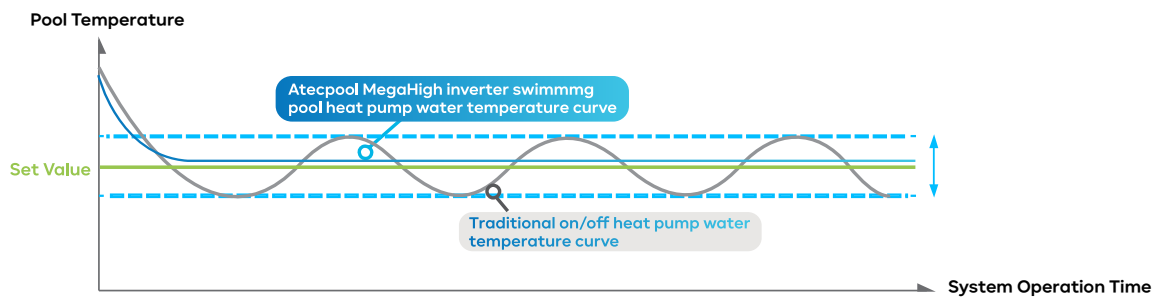


### Atecpool MegaHigh Inverter Heat Pump

Differing from conventional heat pumps that use single-speed compressors and rely on frequent start-stop cycles, our full inverter heat pump is equipped with a variable-speed compressor. This enables precise modulation of output, significantly reducing energy consumption while maintaining optimal temperature control in all climate conditions. When heating demand is high, the compressor and fan motor operate at higher speeds; when demand is low, they adjust to lower speeds, ensuring efficient and quiet operation.

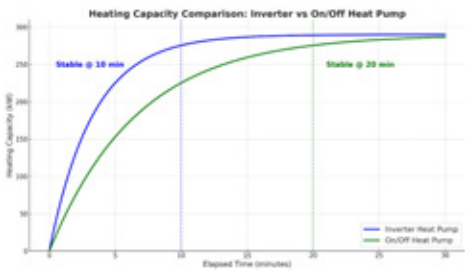
### Constant Water Temperature and Comfort

Atecpool MegaHigh Inverter swimming pool heat pump offers superior temperature control compared to traditional on/off systems. It automatically adjusts capacity and inlet water temperature based on real-time pool conditions, ensuring stable and consistent water temperature. This advanced technology eliminates fluctuations, providing greater comfort and energy efficiency.



### 50% Speed up Heating Time

Upon activation, the Atecpool MegaHigh Inverter Heat Pump uses a smart inverter control to automatically optimize compressor and fan speeds, along with EEV adjustment, enabling up to 50% faster initial heating stability compared to traditional heat pumps.



### Spiral Titanium Heat Exchanger

Atecpool patented titanium heat exchanger is spiral tube inside, the titanium coil can ensure high heat exchange efficiency and prevent corrosion, extends the unit's lifespan.



### Electronic Expansion Valve

The electronic expansion valve provides precise, fast adjustment to refrigerant flow, ensuring system stability even under sudden load changes. It delivers accurate control in low temperatures and maintains consistent water temperature across a wide operating range.



**Broad Climate Suitability**  
The unit can adapt to a wide climatic range. Lab tests showed maintained stable operation in -15-55°C. This feature makes the unit suitable for markets all over the world

**Soft Starting**  
When the machine is turned on, its soft start technology avoids a sudden fluctuation of taking high Amps but start the unit softly and reach stable current slowly.

**Low Noise**  
The DC inverter fan with special design blades not only saves energy but also helps to reduce noise by 20%.

# Atecpool MegaHigh Inverter

## COMMERCIAL HEAT PUMP



### MegaHigh Inverter Heat Pump Specification



Model		AMHP70	AMHP80	AMHP100	AMHP130	AMHP170	AMHP200	AMHP290	
<b>Heating Condition #1: Ambient Temperature: 26°C; Water Inlet/Outlet Temperature: 26°C/28°C, Humidity 80%</b>									
Heating capacity	kW	16,5~70	17,5~80	24,8~103	32,4~136	36,3~175	75~245	90~290	
Power input	kW	1,02~10,03	1,08~13,01	1,54~14,8	2,00~19,46	2,26~28,01	28,1~46,2	9,78~55,7	
COP		16,11~6,98	16,1~6,15	16,09~6,96	16,15~6,99	16,0~6,24	9,3~5,3	9,2~5,2	
<b>Heating Condition #2: Ambient Temperature:15°C; Water Inlet /Outlet Temperature: 26°C/28°C; Humidity 70%</b>									
Heating Capacity	kW	12,1~51	13,8~60	18,3~76	23,9~101	28,3~135	63~210	76~250	
Power Input	kW	1,6~10,24	1,65~12,21	2,42~15,29	3,15~20,24	3,32~27,55	7,2~43,75	8,3~50,08	
COP		7,56~4,98	8,4~4,91	7,55~4,97	7,59~4,99	8,5~4,9	8,7~4,8	8,6~4,8	
<b>Cooling Condition #1: Ambient Temperature: 45°C; Water Inlet /Outlet Temperature: 26°C</b>									
Cooling capacity	kW	9,1~38	15~42	16,12~58	18,5~76	59,4~96	50~125	60~150	
Power input	kW	1,78~8,83	2,94~10,24	3,16~13,4	3,62~17,67	11,2~22,32	14,7~45	17,6~54,9	
EER		5,1~4,3	5,1~4,1	5,1~4,3	5,1~4,3	5,3~4,3	3,4~2,78	3,4~2,73	
Rated power input	kW	11	13	16	21	28	48	58	
Rated current	A	18	20	27	36	45	85	100	
Power supply	V/Ph/Hz	380~415V /3N~/50~60Hz							
Refrigerant		R410A							
Compressor type		Mitsubishi DC inverter					Panasonic DC Inverter		
Heat exchanger		Titanium							
Expansion valve		Electronic EEV							
Water Pressure Drop	kPa	15	16	16	19	23	30	45	
Fan quantity		2	2	1	2	2	2	2	
Fan power Input	W	200x2	200x2	615x1	695x2	1300x2	1738x2	1738x2	
Fan rotate speed	rpm	850	850	850	850	850	920	920	
Fan airflow	cfm	8300	9400	12200	16000	21000	29000	34000	
Advised water flow	m³/h	20	25	30	40	45	90	108	
Minimum water flow	m³/h	18	22	27	35	40	70	80	
Dimensions(LxWxH)	mm	1416x752x1055	1750x840x1750	1250x1080x1870	2150x1080x2180	2170x1150x2130	2400x1200x2300	2400x1200x2300	
Operating Air Temp.	°C	0~50	0~50	0~50	0~50	0~50	0~53	0~53	
Noise at 1m	dB(A)	≤59	≤60	≤62	≤65	≤65	≤75	≤78	
Weight	kg	280	370	420	750	810	815	850	
Water Connection	mm	63	63	63	75	110	DN80	DN80	

POOL HEATING

Air/water heat pumps

Heating and Cooling



# Atecpool Reversible Cycle Heat Pump



 ecofriendly



Five Star Heat Pumps

INSPIRED  
ByWater

**ATECPOOL**  
 BWT GROUP

# Atecpool Air/Water Heat Pumps

## TOP DISCHARGE UNITS FOR OUTDOOR INSTALLATION



### ATECPOOL Air/Water Heat Pump



RCHP technology is based on the same principle employed in air conditioners and refrigerators, delivering up to five times more energy in heat than it consumes in electricity. Our heat pumps efficiently heat your pool by extracting ambient heat from the air. This heat is then transferred into a refrigerant gas which is compressed and heated further. Before the heat is then transferred into the pool water, and heats your pool.

Our Heat Pumps are manufactured using only top-quality components. The titanium heat exchanger is not only extremely efficient, but it will never rust or corrode. Our heat pumps also feature more accurate and durable commercial grade digital controllers with the most user-friendly features, specific water flow switches and high capacity compressor capacitors.



### ATECPOOL Heat Pump Benefits

- Uses freely available air energy = 4-5 times more effective than conventional electrical heaters.
- For every kW of power consumed, you get at least 4-5kW of free power
- Inexpensive operation
- Top quality, maximum durability titanium heat exchanger
- Quick and easy installation

### Water Heat Exchanger

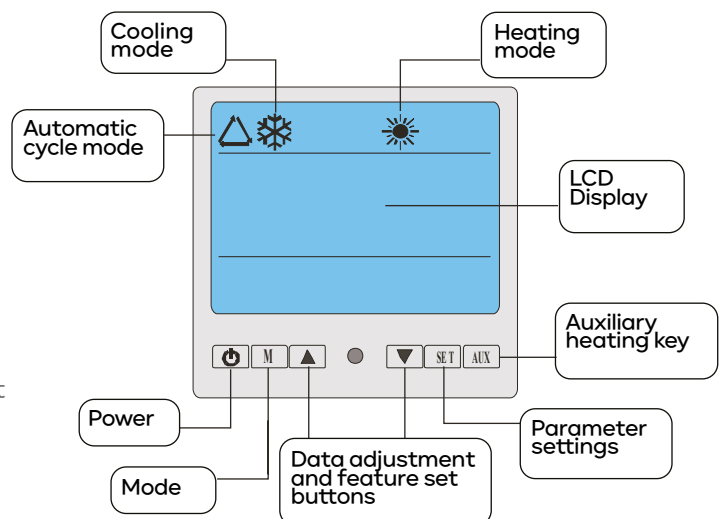
- Made of double spiralled titanium tubes encased in PVC or S.S. for additional protection against corrosive pool water.
- The double spiraling of the heat exchanger increases the surface area that comes in contact with the pool water, this drastically reduces scaling while heating rapidly and efficiently.

### External Heat Exchanger (Evaporator coils)

- The tubes are made of copper and the fins are aluminium.
- The extra-large evaporator coils are designed to collect more heat from air outside to ensure the best performance in even the most adverse conditions.
- Large axial fans, with precision engineered blades are used to draw in maximum ambient air and pass it on to the evaporator coils.

### Refrigerant

- We use the environmentally approved refrigerant R407-C, R410-A, R134-A depending on our client's requirements.
- For maximum efficiency you can combine your reversible cycle heat pump and solar pool heating in one system to capitalise on the sun's free energy as well as that from the ambient air. All components of Atecpool heat cool pumps are of the highest international quality.



# Atecpool Air/Water Heat Pump

## TOP DISCHARGE UNITS FOR OUTDOOR INSTALLATION

Model		03300030	03300040	03300050	03300060	03310070	03300080	03300090	03310100
Heating capacity	kW	13	17	21	25	35	45	55	75
	BTU /hr	44000	58000	72000	86000	120000	150000	187000	255000
Heating Power Input	kW	2,65	3,7	4,6	5	7,5	9,5	11	16,7
Cooling Capacity	kW	8,8	12	14,5	17,4	25	34	42	56
	BTU /hr	30000	41000	49500	59500	86000	116000	143000	190400
Cooling Power Input	kW	2,85	3,9	5,2	5,8	8,4	9	10,3	17,2
Running current H/C	A	13,6 / 14,3	18,0 / 19,1	7,1 / 7,35	8,91 / 10,33	13,2 / 14,5	15,7 / 16,4	18,0 / 19,2	29,8 / 30,6
COP		4,9	4,6	4,5	5	4,7	4,7	5	4,49
Power Supply	V / Ph / Hz	230 V/ 1N~ / 50Hz				415V/3N~/50Hz			
Compressor Qty		1	1	1	1	2	1	1	3
Compressor		Rotary	Scroll	Scroll	Scroll	Scroll	Scroll	Scroll	Scroll
Fan Quantity		1	1	1	1	2	2	2	3
Fan Input Power	W	200	200	200	200	200 x2	200 X 2	200 x 2	200 x 3
Fan Rotate Speed	rpm	830	830	830	830	830	830	830	830
Fan Airflow	cfm	4000	4000	4000	4000	4200	6500	6500	9000
Fan direction		Vertical	Vertical	Vertical	Vertical	Vertical	Vertical	Vertical	Vertical
Noise 1mtr	dB (A)	51	51	51	54	59	61	61	61
Water connection	mm	50	50	50	50	63	50	50	63
Water Flow volume	m³/h	6	7,5	8	9	10	14	18	25
Water pressure drop	kPa	8	10	12	12	15	15	15	16
Dimensions (L/W/H)	mm	660x660x860	660x660x860	660x660x860	660x660x860	1470x727x875	1450x730x1250	1450x730x1280	2150x760x1310
Weight	kg	82	100	125	150	200	250	265	403
Wi-fi		✓	✓	✓	✓	✗	✓	✓	✓

Model		03310110	03310120	03310130	03310140	03310150	03310180	03310190	03310200
Heating capacity	kW	90	105	145	160	185	230	245	260
	BTU /hr	306000	357000	493000	550000	629000	782000	835940	887156
Heating Power Input	kW	17,5	22,5	30,2	34,2	37	48	52	57
Cooling Capacity	kW	70	88	106	120	131	160	184.0	175
	BTU /hr	238000	300000	360400	410000	444000	540000	578808	597124
Cooling Power Input	kW	17,8	24,7	32,1	41,6	48,5	67,2	70.2	73,3
Running current H/C	A	31,2 / 31,7	40,1 / 44,0	53,9 / 57,3	61,0 / 74,2	70,52 / 87	109/121,1	111 / 123.5	113,36/128,12
COP		5,1	4,6	4,80	4,7	5	4,8	4,7	4,5
Power Supply	V / Ph / Hz	415V/3N~/50Hz							
Compressor Qty		3	2	3	3	2	2	4	4
Compressor		Scroll	Scroll	Scroll	Scroll	Scroll	Scroll	Scroll	Scroll
Fan Quantity		3	2	2	2	2	2	2	2
Fan Input Power	W	200 x 3	400 x 2	1780 x 2	1780 x 2	1780 x 2	2000 x 2	500x2	2000 x 2
Fan Rotate Speed	rpm	830	830	930	930	930	920	720	920
Fan Airflow	cfm	11000	12500	17500	19000	22000	27000	29000	32000
Fan direction		Vertical	Vertical	Vertical	Vertical	Vertical	Vertical	Vertical	Vertical
Noise 1mtr	dB (A)	62	62	64	65	66	70	67	72
Water connection	mm	63	110	110	110	110	110	110	110
Water Flow volume	m³/h	30	32	36	40	55	85	91	108
Water pressure drop	kPa	16	16	23	24	24	25	25	40
Dimensions (L/W/H)	mm	2150x760x1310	2170x1065x1930	2170x1065x2304,5	2170x1065x2304,5	2150x1078x2258	2180x1080x2060	2480x1330x2360	2400x1200x200
Weight	kg	370	613	752	761	900	1350	945	1400
Wi-fi		✓	✓	✗	✗	✓	✓	✓	✓

Data sheet is based on capacities: Cooling: Ambient air temperature: 45° / 36°C - Water temperature: 33°C // Heating: Ambient air temperature: 23° / 18°C - Water temperature: 26°C

Air/water heat pumps

Heating and Cooling



# Atecpool Max Heat Pump



Five Star Heat Pumps

INSPIRED  
ByWater

**ATECPOOL**  
BWT GROUP

# Atecpool Max Heat Pump

TOP DISCHARGE UNITS FOR OUTDOOR INSTALLATION

+55°C  
ambient

## Atecpool Max Heat Pump

Commercial Atecpool MAX air source swimming pool heat pump is designed for heavy duty heating and cooling in tropical weather with occasional sand storms

### Specifications

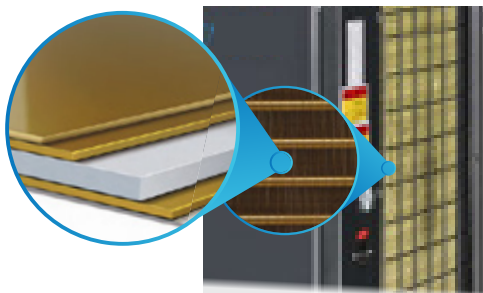
- Available in 50 and 60Hz.
- Durable metal design with multiple compressor system
- Automatic overheat control to ensure heating and cooling in peak day time hot weather
- Automatic defrost to ensure heating operations during winter time
- Wide heating capacity with 125kW to 450kW provided by a single unit
- Primary phase monitor protection against incorrect order of the phases or missing phase
- T3 Panasonic compressors with built-in automatic control logic for more energy saving
- Multiple fan speed mode to support low noise
- Wi-Fi control and BMS compatible



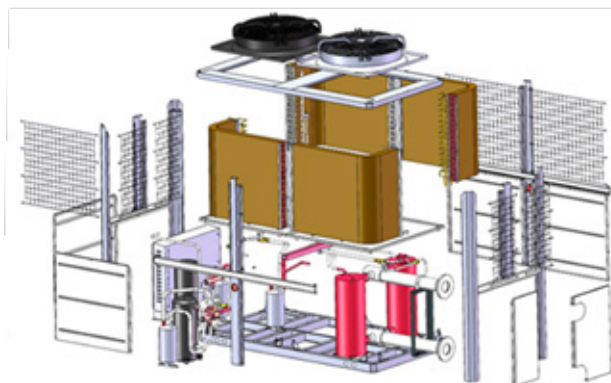
### Atecpool Max Heat Pump Benefits

- **Designed for 55°C ambient conditions**  
Atecpool Max T3 swimming pool heat pump combines T3 compressor and T3 technology, T3 Max swimming pool heat pump can work at 55°C ambient conditions.
- **Lower operation cost than traditional pool heat pump**  
Atecpool Max swimming pool heat pump features precise energy stage settings that optimize efficiency and energy savings. It adjusts the number of operating compressors based on the actual heating demand determined by the inlet water temperature—activating all compressors during high load requirements and reducing compressor use as the water temperature approaches the set target.
- **Spiral Titanium Heat Exchanger**  
Atecpool's titanium heat exchanger features an internal spiral tube design, ensuring high heat exchange efficiency and excellent corrosion resistance. This advanced construction significantly extends the lifespan of the heat pump.
- **Electronic Expansion Valve**  
Offers a wider operating temperature range and more precise, responsive refrigerant flow control compared to capillary tubes and mechanical expansion valves. An ideal solution for achieving greater energy efficiency and performance.
- **Hydrophilic Fin Heat Exchanger**  
The GOLDFIN heat exchanger is made from epoxy-coated aluminum, offering 100% corrosion resistance for exceptional durability and long-term performance. This advanced coating technology makes it ideal for use in coastal, high-humidity, or chemically aggressive environments, where traditional materials are prone to corrosion.

### Hydrophilic Fin Heat Exchanger



### Atecpool Max Heat Pump 3D Explosion



# Atecpool Max Heat Pump

TOP DISCHARGE UNITS FOR OUTDOOR INSTALLATION



MAX50



MAX250

50~60Hz  
Compatible

+55°C  
ambient

## Technical Specifications

Model		MAX50	MAX125	MAX150	MAX250	MAX300	MAX350	MAX450
<b>Heating Condition #1: Ambient Temperature: 27°C; Water Inlet/Outlet Temperature: 26°C, Humidity 80%</b>								
Heating Capacity	kW	50	125	150	250	300	350	450
	BTU/h	170600	426500	511800	853000	1023600	1194200	1535400
COP		5,9	6,2	6,1	6,1	6,2	5,9	5,9
Input Power	kW	9	21	26	43	51	60	77
Input Current	A	16	40	49	81	97	113	146
<b>Heating Condition #2: Ambient Temperature:15°C; Water Inlet /Outlet Temperature: 26°C; Humidity 70%</b>								
Heating Capacity	kW	35	88	105	175	210	245	315
	BTU/h	101455	253638	245700	409500	511800	573300	737100
Input Current	A	15	36	43	72	87	101	130
<b>Cooling Condition #1: Ambient Temperature: 46°C; Water Inlet /Outlet Temperature: 30°C</b>								
Cooling Capacity	kW	30	75	90	150	180	210	270
	BTU/h	101455	253638	245700	409500	511800	573300	737100
EER		3,0	3,1	3,0	3,0	3,1	3,0	3,0
Input Power Cooling	kW	10	25	30	50	60	70	90
Input Current Cooling	A	19	47	57	95	114	133	171
Power Supply	V/PH/Hz	380/3/50~60						
Compressor type		Scroll						
Compressor Qty		2			4		6	
Fan Qty		2						6
Fan air flow	cfm	6000	14500	18000	30000	36000	42000	53000
Noise at 1m	dB(A)	60	65	65	68	70	95	80
Minimum Water Flow	m³/h	12	30	30	60	72	84	90
Water Pressure Drop	kpa	18	30	30	55	56	77	90
Water Connection	mm	63	90	90	110	110	140	140
Fan Direction		Vertical						
Refrigerant Type		R407C						
Dimensions (LxWxH)	mm	1500x800x1230	2050x1065x2010	2050x1065x2010	2300x1350x2360	2300x1350x2360	3000x2000x2300	3000x2000x2300
Weight	kg	228	1003	1180	1920	2117	2790	3126

# Atecpool Air/Water Heat Pump

## SIDE DISCHARGE UNITS FOR OUTDOOR INSTALLATION

### Atecpool side discharge heat pump

- R410A refrigerant, environmental friendly
- Titanium heat exchanger, corrosion resistance
- High pressure protection
- Defrost automatically
- With water flow switch
- Fully automatic operation
- Both heat and cool function



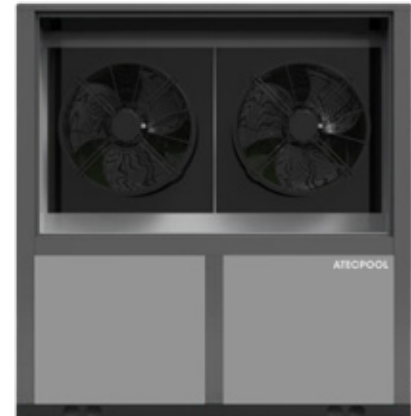
Model	ASHP50	ASHP70	ASHP100	ASHP130	ASHP160	ASHP300
<b>Heating Condition #1: Ambient Temperature: 27°C; Water Inlet/Outlet Temperature: 26°C, Humidity 80%</b>						
Heating Capacity(kW)	5,0	7,2	9,5	13,0	16,1	30,0
Power Input(kW)	0,86	1,24	1,62	2,25	2,75	4,95
COP	5,84	5,81	5,88	5,79	5,85	6,06
<b>Heating Condition #2: Ambient Temperature:15°C; Water Inlet /Outlet Temperature: 26°C; Humidity 70%</b>						
Heating Capacity(kW)	3,6	5,5	7,0	10,0	12,5	23,5
Power Input(kW)	0,73	1,12	1,41	2,05	2,54	4,69
COP	4,94	4,92	4,95	4,88	4,93	5,01
<b>Cooling Condition #1: Ambient Temperature: 45°C; Water Inlet /Outlet Temperature: 29°C</b>						
Cooling Capacity	3,2	5,1	6,5	9,2	11,3	20,0
Power Input(kW)	0,94	1,51	1,90	2,69	3,36	5,78
EER	3,41	3,38	3,43	3,42	3,36	5,78
Max Power Input(kW)	1,16	1,68	2,24	3,24	3,72	6,35
Max Current(A)	5,8	8,5	11,3	16,4	18,8	11,4
Power Supply	220~240V/1/50Hz					380~415V/3/50Hz
Refrigerant	R410A					
Heat Exchanger	Titanium					
Air Flow Direction	Horizontal					
Air Flow (cfm)	2000	2000	2000	2000	2000	3500
Minimum Water Flow (m³/h)	2,0	3,0	3,5	5,5	6,0	12,0
Operating temperature range(°C)	-15~50					
Noise at 1m (dB(A))	48	48	50	52	52	54
Weight(kg)	42	46	58	72	85	135
Water Connections (mm)	50					
Net Dimensions (L*W*H) (mm)	936x385x550	936x385x550	1011x420x614	986x420x798	986x420x798	1003x374x1318

# Atecpool Air/Water Heat Pump

## SIDE DISCHARGE UNITS FOR OUTDOOR INSTALLATION

### Atecpool side discharge commercial heat pump

- R410A refrigerant, environmental friendly
- Titanium heat exchanger, corrosion resistance
- High pressure protection
- Defrost automatically
- With water flow switch
- Fully automatic operation
- Both heat and cool function



Model	ASHP450	ASHP550	ASHP670	ASHP750	ASHP850	ASHP1000	ASHP1150	ASHP1350	ASHP1600
<b>Heating Condition #1: Ambient Temperature: 24°C; Water Inlet/Outlet Temperature: 26°C, Humidity 80%</b>									
Heating Capacity(kW)	48,0	54,0	67,0	76,0	84,0	102,0	115,0	130,0	160,0
Power Input(kW)	8,80	9,80	12,20	13,80	14,90	18,60	20,90	23,60	29,09
COP	5,5	5,5	5,5	5,5	5,5	5,5	5,5	5,5	5,5
<b>Heating Condition #2: Ambient Temperature: 15°C; Water Inlet/Outlet Temperature: 26°C, Humidity 80%</b>									
Heating Capacity(kW)	39,0	44,0	54,0	62,0	69,7	84,0	94,0	106,0	136,0
Power Input(kW)	8,50	9,50	11,80	13,40	15,20	18,2	20,50	23,10	29,56
COP	4,6	4,6	4,6	4,6	4,6	4,6	4,6	4,6	4,6
<b>Cooling Condition #1: Ambient Temperature: 45°C; Water Inlet /Outlet Temperature: 30°C</b>									
Cooling Capacity	27,0	36,0	45,0	51,0	60,0	69,0	78,0	88,0	103,0
Power Input(kW)	8,90	9,50	11,80	13,40	15,50	18,2	20,50	23,10	27,20
EER	3,0	3,8	3,8	3,8	3,8	3,8	3,8	3,8	3,8
Max Power Input(kW)	13,0	14,0	18,0	20,0	22,4	26,0	30,0	33,0	39,0
Max Current(A)	23,0	25,0	32,0	36,0	101,7	46,0	54,0	59,0	70,0
Power Supply	380~415V/3/50Hz								
Refrigerant	R410A								
Heat Exchanger	Titanium								
Air Flow Direction	Horizontal								
Air Flow (cfm)	5900	7800	9000	10100	11000	13000	13000	17000	20000
Fan Quantity	2	2	3	3	3	4	4	6	6
Minimum Water Flow (m³/h)	20,0	24,0	28,0	35,0	40,0	45,0	45,0	58,0	67,9
Operating temperature range(°C)	-15~50								
Noise at 1m (dB(A))	59	59	62	62	62	62	62	62	65
Weight(kg)	265	285	400	400	400	540	540	820	820
Water Connections (mm)	63	63	63	63	63	110	110	110	110
Dimensions(LxWxH)(mm)	1454 x 752 x 1703	1454 x 752 x 1703	2188 x 752 x 1703	2188 x 752 x 1703	2188 x 752 x 1703	1454 x 752 x 2103	1454 x 752 x 2103	2188 x 860 x 2248	2188 x 860 x 2248

# Atecpool MaxChill Series

## WATER CHILLER



Low water temperature up to 5°C

### Atecpool MaxChill water chillers for Plunge pools and Ice Bath

Ideal for plunge pools, aquatic habitat and water immersion pools for sports recovery. Atecpool Water Chillers provide low temperatures reaching 8°C for cold water treatment. Anti-Corrosive Titanium Heat Exchanger combined with a R410 refrigerant compressor for low water temperatures.



### Cold water therapy

- Reduces central nervous system fatigue.
- Reduces cardiovascular strain and supports the removal of metabolic waste.
- Increase local blood flow.
- Stimulate the discharge of waste products from tissues.
- Enhance parasympathetic nervous system activity for improved recovery.
- Alleviate pain and stiffness.
- Decrease exercise-induced muscle damage and reduces delayed onset muscle soreness (DOMS).
- Aid in pre-cooling for certain sports in hot conditions to help manage core body temperature post-exercise.

### Atecpool MaxChill Specifications

#### → Smart Temperature Regulation

Experience precise thermal control across a wide 5°C to 40°C range, thanks to accurate sensors and an energy-efficient cooling system—ideal for tailoring recovery treatments to specific rehabilitation requirements.

#### → Compact and Convenient Mobility

Designed for easy transport and an automatic air-release function, enabling quick, plug-and-play setup and smooth relocation between treatment areas.

#### → Operational Efficiency and Savings

Say goodbye to daily ice purchases. The powerful yet efficient compressor supports multiple users at once, reducing ongoing costs and boosting facility productivity.

#### → Built for Harsh Environments

Designed to perform consistently in challenging climates, the system functions flawlessly in temperatures ranging from -10°C to +55°C and is capable of chilling water to as low as +5°C.

#### → Premium Titanium Heat Exchanger

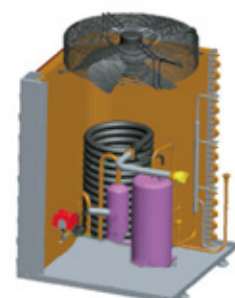
Crafted from 100% pure Grade 1 Titanium (ASTM B265M), the heat exchanger is completely odorless, non-toxic, and leaves no residue—ensuring safe, clean water suitable for aquatic habitats.

#### → Copper-Free Design

Completely free of copper, this design eliminates the risk of harmful or toxic substances forming in the water, ensuring a safer and cleaner experience.

### MaxChill Components

- Heat Exchanger made of double spiralled titanium tubes encased in PVC or SS for additional protection against corrosive pool water.
- Extra-large evaporator coils are designed to collect more cool energy from the outside air to ensure performance in even the most adverse conditions.
- Large axial fans, with precision engineered blades are used to draw maximum ambient air and pass it on to the evaporator coils



# Atecpool MaxChill Series

## WATER CHILLER



Low water temperature up to 5°C

### Technical Data

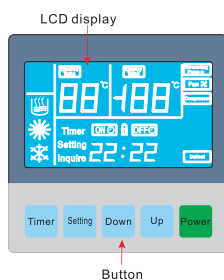


Model		ACU-100	ACU-200	ACU-300	ACU-500	ACU-600	ACU-1000	ACU-1500	ACU-1800
Cooling Condition #1: Ambient Temperature: 35°C; Water Inlet /Outlet Temperature: 15°C									
Cooling Capacity	kW	3,5 (1 Ton)	7,5 (2 Ton)	12,35 (3,5 Ton)	18 (5 Ton)	22,0 (6 Ton)	33,0 (9,4 Ton)	55,0 (15,6 Ton)	66,0 (18,8 Ton)
Power Input	kW	1,50	2,50	4,10	6,0	8,46	12,60	21,15	25,38
Rated Current	Amps	9,50	12,10	18,60	11,40	16,0	24,20	40,20	47,50
Cooling Condition #2: Ambient Temperature: 46°C; Water Inlet /Outlet Temperature: 26°C									
Cooling Capacity	kW	3,00	6,25	10,30	15,0	20,0	30,0	50,0	60,0
Power Input	kW	1,30	2,70	4,40	6,40	8,00	12,00	20,10	24,12
Rated Current	Amps	9,90	12,80	20,0	12,20	15,2	22,8	38,2	45,8
Min. Cooling Water Temp		5°C	8°C						
Power Voltage		220~240V / 50Hz				380V /3~ / 50Hz			
Operating Temperature Range		-10~50°C							
Compressor (Type)		Rotary	Scroll						
Heat Exchanger		Titanium Tube Heat Exchanger in PVC Shell							
Refrigerant		R410A							
Cabinet		Galvanized Steel Casing							
Water Connection	inch	G-1,5"	G-2"				G-3"		
Fan Quantity		1	1	1	1	1	1	1	2
Air Flow	cfm	1100	1800	3000	4800	6000	9000	15000	18000
Noise at 1m	dB(A)	49	49	58	58	60	62	65	65
Minimum Water Flow	m³/h	1	8	12	12	12	18	28	36
Water Pressure Drop	kPa	15	14	15	15	30	45	45	45
Dimensions	mm	550*540*715	630*605*780	810*810*1050	810*810*1350	1354*651*1224	1654*861*1324	2050*1065*2010	2119,5*1068*2019,6
Weight	Kg	37	94	105	160	192	211	279	312

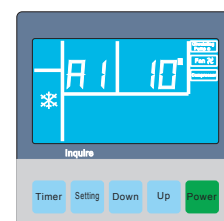
POOL HEATING

### LCD Display and Functions

MaxChill features more accurate and durable commercial grade digital controllers with user friendly features.



- ◆ Illustration for the buttons
- unit unlock, turn on/off
  - increase (setting parameters of the functions)
  - decrease (setting parameters of the functions)
  - Query and function setting
  - Clock and timer switch setting



# Atecpool Split Heat Pump

## SPLIT AND HEAT

### Atecpool Split Heat pump



Split heat pump consists of two blocks. Outdoor unit is the source of heat. It contains a compressor, ventilator and air heat exchanger. Indoor unit contains water heat exchanger and control sensors.

Outdoor unit is placed away from the indoor unit (heat exchanger and sensors) as far as 20m horizontally and 10m vertically.

Full year  
-15~60°C

Panasonic  
Compressors

Self-  
Cleaning

20m away  
from pool

### Atecpool SHP 2400 and SHP 3000

Model	SHP 2400	SHP 3000
<b>Heating Condition #1: Ambient Temperature: 27°C; Water Inlet/Outlet Temperature: 27°C, Humidity 80%</b>		
Heating Capacity (kW)	24,4	30,1
COP	6,9	6,9
<b>Heating Condition #2: Ambient Temperature: 15°C; Water Inlet/Outlet Temperature: 26°C, Humidity 70%</b>		
Heating Capacity (kW)	18,7	24,3
COP	6,3	6,3
<b>Cooling Condition #1: Ambient Temperature: 35°C; Water Inlet /Outlet Temperature: 28°C, Humidity 80%</b>		
Cooling Capacity (kW)	21,7	26,8
<b>Technical Specifications</b>		
Advised Pool Volume (m³)	60-80	80-120
Sound Level Min, at 10m dB(A)	29	32
Operating Air Temperature (°C)	-5°C~+40°C, with TROPICAL kit -5°C~+60°C	
Compressor Type	Panasonic / Sanyo, scroll	
Heat Exchanger(Grade and Surface of Titanium)	Titanium Twisted Gr 1- ASTM265; 1,2m²	Titanium Twisted Gr 1- ASTM265; 1,4m²
Cover	Metal powder coated 180°C enamel	
Refrigerant	R410A	
<b>Installation</b>		
Power Supply	400V/3pH/50Hz	400V/3pH/50Hz
Water Connection	50mm (6,4")	
Protection and Cable Size (20m)	C 10 A (5G2,5mm²)	C 16 A (3G2,5mm²)
Rated Power Input (kW)	3,51	4,34
Advised Water Flow (m³/h)	8-10	8-12
Dimensions LxWxH (mm)	942x1250x360 - SPLIT	942x1250x360 - SPLIT
Weight (kg)	118	120
Connection		
Copper Pipe Connection	3/4" + 3/8"	3/4" + 3/8"
Max. Connection Distance	20 m	
<b>Accessories</b>		
Wi-fi	POOL VISION mobile app	
Winter Module	Operating air temperature -15°C~+40°C	
Tropical kit - extra compressor cooling	Up to +60°C ambient air	

Remarks: \*The data above is only for reference. For specific data, please refer to the nameplate on the unit.  
Note: Manufacturer reserves the right to change above technical data without notice.

# Atecpool Air Dehumidifiers

## DEHUMIDIFICATION

### Atecpool Air Dehumidifiers

Atecpool Air Dehumidifiers is a refrigerative dehumidifier taking advantage of refrigerant circuit for dehumidification. When the humid air is led over the evaporator, the water vapour in the air condenses into water, then the air is heated as it passes through the condenser.



### Features of Atecpool Air Dehumidifiers

- ➔ **Easy Installation**  
Atecpool Air dehumidifier offers flexible setup options, supporting both floor-standing and wall-mounted installation for convenience.
- ➔ **High-Efficiency Heat Exchanger**  
Fitted with a 0.1mm hydrophilic aluminum foil heat exchanger, it resists debris buildup and offers 30% more surface area than standard designs.
- ➔ **Low Noise Performance**  
Equipped with a quiet rotary compressor and low-noise fan motor, Atecpool Air ensures smooth and silent operation.
- ➔ **Effective Air Filtration**  
An integrated air filter within the grill traps dust and airborne impurities, helping to maintain clean indoor air.
- ➔ **Durable Exterior**  
Constructed with corrosion-resistant casing and rust-proof screws, the unit is built to withstand humid environments.
- ➔ **Flexible Control Options**  
Atecpool Air Dehumidifier comes with a remote control (effective up to 10 meters) and also supports wired control, giving users multiple operation modes.



Model	Units	AHD030	AHD050	AHD070
Dehumidification Rate at 30°C/60%RH	L/h	3,12	5,20	7,08
Dehumidification Rate at 30°C/60%RH	kg/24h	75	125	170
Recommended Pool Surface	m <sup>2</sup>	70	120	160
Heat Recovered to Air at 30°C	kW	3,2	5	8,2
Sound Level	dB(A)	48	50	52
Circulating Air Volume	m <sup>3</sup> /h	600	1200	1800
Power Supply	V/PH/Hz	220/1/50		
Power Consumption	kW	1,30	2,00	2,92
Rated Current	Amps	5,9	9,1	13,3
Condensate Drain Size	mm	16	16	16
Operating Temperature Range	°C	5~36		
Operating Humidity Range	%RH	40-100		
Compressor Protection		3 minutes delay		
Defrost Mode		Automatic		
Refrigerant		R410A		
Compressor		Rotary		
Dimension	mm	905*243*673	1288*243*673	1672*243*673

# Atecpool Dry Series Dehumidifiers

## DEHUMIDIFICATION

### Atecpool Dry Series Dehumidifiers

Atecpool Dry Series dehumidifier is made to provide up to 3.5 times more energy than it consumes keeping its heat recovery system at its best. Wide color options with metal cabinet. Available in four different versions:

#### Wave

- Wall mounted / mobile
- Economy model
- Acryl cover
- Full set of options

#### Metal

- Wall mounted / mobile
- Exclusive
- Metal cover
- Any colors possible

#### Duct

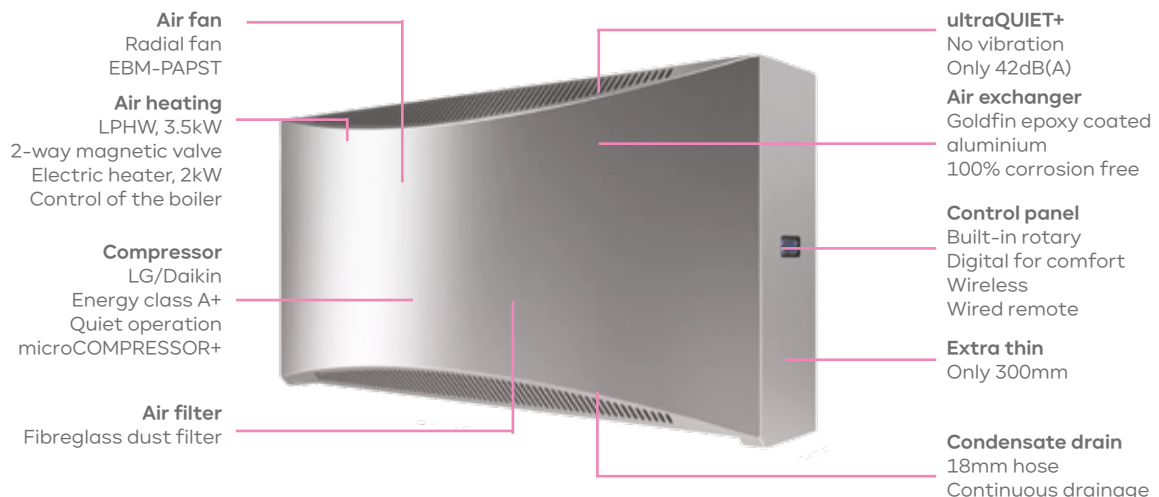
- Ducted / concealed
- 145-200 Pa
- Up to 30 m ducting
- Full set of options
- Silent comfort

#### Through-the-wall (TTW)

- Wall mounted
- Behind the wall
- Indoor/outdoor installation
- Aluminium grills
- Wall thickness up to 400 mm



Series	Model	Pool Surface	Extraction rate 30 °C / 60%RH	Extraction rate 30 °C / 80%RH	Air Flow	Noise Level (at 1m dist.)	Power	Heat Output	Refrigerant	Dimensions (WxHxD)	Weight
		m <sup>2</sup>	l/24hrs	l/24hrs	m <sup>3</sup> /h	dB (A)	W	W		mm	kg
DRY 500	WAVE	60	66	101	800	44	1000	3500	R410A	1245 x 660 x255	60
	METAL									1245 x 660 x300	77
	TTW									1245 x 660 x255	60
	DUCT									1245 x 660 x253	75
DRY 800	WAVE	90	90	136	1100	46	1600	5100	R410A	1250x 950 x310	100
	METAL									1247x 950 x300	80
	TTW									1247x 950 x300	100
	DUCT									1247x 950 x300	102
DRY 1200	WAVE	120	120	181	1200	46	2150	5250	R410A	1250x 950 x310	104
	METAL									1247x 950 x300	80
	TTW									1247x 950 x300	103
	DUCT									1247x 950 x300	103



Inline heater for pools and spa

Silent heating solution



# Atecpool Thermolite

TITANIUM ELECTRIC HEATER

 ecofriendly



Titanium Heater



Silent Operation

INSPIRED  
ByWater

**ATECPOOL**  
BWT GROUP

# Atecpool Thermolite

## TITANIUM ELECTRICAL HEATER

High Quality Inline Electric Heater for Swimming Pool and Spa

The electric heater is purposefully engineered for exclusive deployment in above ground and in-ground swimming pools and spa centers, featuring a heating chamber constructed from titanium metal pipes to optimize heating performance.



Specifications	ETH MODEL
Power Supply	Single phase or three phase
Frequency	50/60 Hz
Flow Requirement	4-17 m³/h
Heating Elements and Flow Tube	Grade 1 Titanium
Control Thermostat	5-43°C (1.2°C differential)
Safety Thermal Cutout	60°C (manual reset)
Contactor	3RT6025 or 3RT6028 (Siemens)
Mounting	Floor / Wall Mounting
Working Pressure	4 bar maximum
Water Connections (2 options)	1.5" BSP female thread supplied with 1.5"/50mm stepped ABS unions for rigid pipe
	1 1/4"/1" stepped hose tails for flexible pipe
Dimensions (LxWxH)	750x130x230 mm
Net Weight	5kg

Compact Design

Longevity of materials

Top safety features

Anti Corrosion properties

Reliability and Precision

Titanium Heating coils

Silent Operation

# Atecpool Thermolite Heater

## Titanium Core



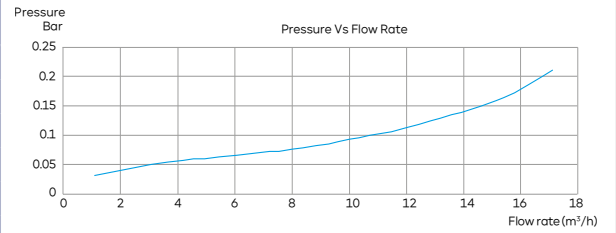
# Atecpool Thermolite

## TITANIUM ELECTRICAL HEATER

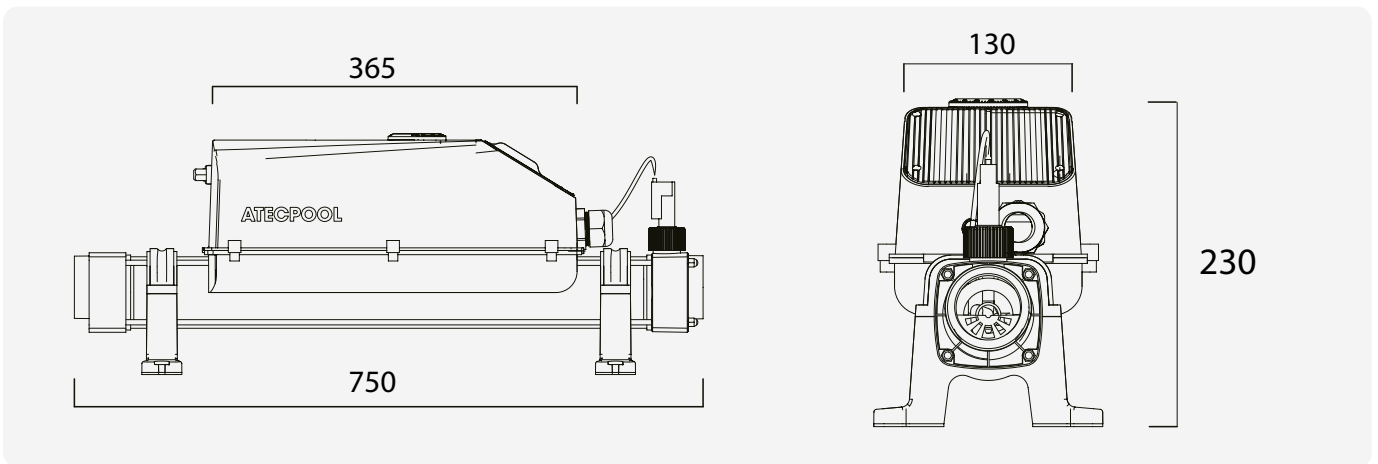
### Thermolite Specifications

Code	Output power	Input Voltage	Phase	Rated current	Elements
	kW	V		A	(no, x nominal kW)
ETH030S	3	220-240	Single	14	1x3 kW
ETH060S	6	220-240	Single	27	3x2 kW
ETH090S	9	220-240	Single	40	3x3 kW
ETH0120S	12	220-240	Single	53	3x4 kW
ETH060	6	380-415	Three	9	3x2 kW
ETH090	9	380-415	Three	13	3x3 kW
ETH0120	12	380-415	Three	18	3x4 kW
ETH0150	15	380-415	Three	22	3x5 kW
ETH0180	18	380-415	Three	26	3x6 kW
ETH0240	24	380-415	Three	35	3x8 kW

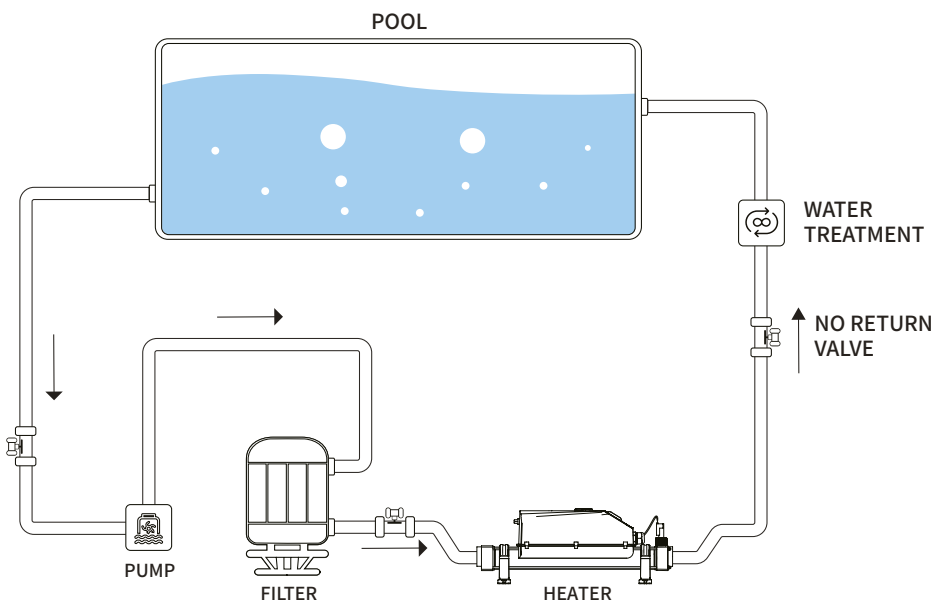
### Pressure Drop Chart



### Technical Drawing



### Installation Diagram



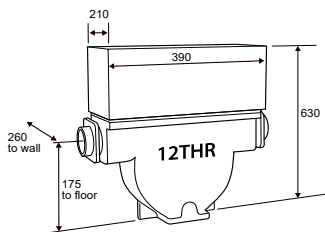
# Thermalec

## TITANIUM ELECTRICAL HEATER

### 12THR Series (3kW - 12kW)



Code	Standard Power Supply: 230V/1ph/50Hz or 400V/3ph/50Hz				
	Load (kW)	Current (Amps) 1-ph/3-ph	Elements (no, x nominal kW)	1-phase version	3-phase version
12THR3	3	14/n,a,	1 x 3 kW	Yes	No
12THR4	4	17/n,a,	1 x 4 kW	Yes	No
12THR6	6	27/n,a,	2 x 3 kW	Yes	No
12THR7,5	7,5	33/11	3 x 2,5 kW	Yes	Yes
12THR9	9	40/13	3 x 3 kW	Yes	Yes
12THR12	12	53/17	3 x 4 kW	Yes	Yes



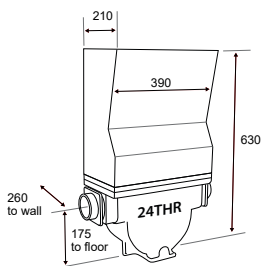
	Water Flow Rate Ranges						
	3 kW	4 kW	6 kW	7.5 kW	9 kW	10 kW	12 kW
Max. (hard water) l/min	152	152	152	152	152	152	152
Max. (soft water) l/min	76	76	76	76	76	76	76
Minimum l/min	4,5	6	9	11	14	15	18

Packed dimensions: 425 x 450 x 190mm  
Packed weight: 26kg

### 24THR Series (15kW - 24kW)



Code	Standard Power Supply: 400V/3ph/50Hz		
	Load (kW)	Current (Amps)	Elements (no, x nominal kW)
24THR15	15	22	6 x 2.5 kW
24THR18	18	26	6 x 3 kW
24THR21	21	31	3 x 4 kW + 3 x 3 kW
24THR24	24	35	6 x 4 kW



	Water Flow Rate Ranges			
	15 kW	18kW	20kW	24kW
Max. (hard water) l/min	303	303	303	303
Max. (soft water) l/min	152	152	152	152
Minimum l/min	23	27	32	36

Packed dimensions: 730 x 520 x 300mm  
Packed weight: 42kg

# Thermalec

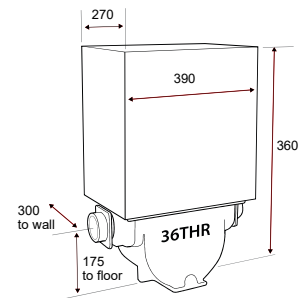
## TITANIUM ELECTRICAL HEATER

### 36THR Series (30kW - 36kW)



Code	Standard Power Supply: 400V/3ph/50Hz		
	Load (kW)	Current (Amps)	Elements (no, x nominal kW)
36THR30	30	44	3x4 kW + 6x3 kW
36THR36	36	53	9x4 kW

Water Flow Rate Ranges		
	30 kW	36 kW
Max. (hard water) l/min	300	300
Max. (soft water) l/min	150	150
Minimum l/min	46	55



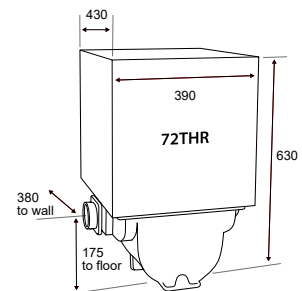
Packed dimensions:  
660 x 450 x 330mm  
Packed weight: 52kg

### 72THR Series (48kW - 72kW)



Code	Standard Power Supply: 400V/3ph/50Hz		
	Load (kW)	Current (Amps)	Elements (no, x nominal kW)
72THR48	48	73	12x4 kW
72THR60	60	91	15x4 kW
72THR72	72	108	18x4 kW

Water Flow Rate Ranges			
	48 kW	60 kW	72 kW
Max. (hard water) l/min	300	300	300
Max. (soft water) l/min	150	150	150
Minimum l/min	73	91	109



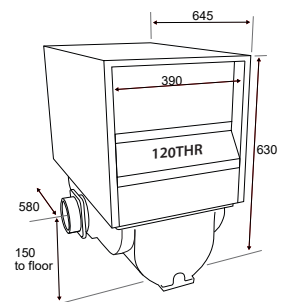
Packed dimensions:  
660 x 450 x 470mm  
Packed weight: 81kg

### 120THR Series (84kW - 120kW)



Code	Standard Power Supply: 400V/3ph/50Hz		
	Load (kW)	Current (Amps)	Elements (no, x nominal kW)
120THR84	84	122	21x4 kW
120THR96	96	140	24x4kW
120THR108	108	157	27x4 kW
120THR120	120	174	30x4 kW

Water Flow Rate Ranges				
	84 kW	96 kW	108 kW	120 kW
Max. (hard water) l/min	700	700	700	700
Max. (soft water) l/min	350	350	350	350
Minimum l/min	127	146	164	182



Packed dimensions:  
750 x 580 x 750mm  
Packed weight: 140kg

# Pool Heating

## WATER/WATER HEAT EXCHANGER

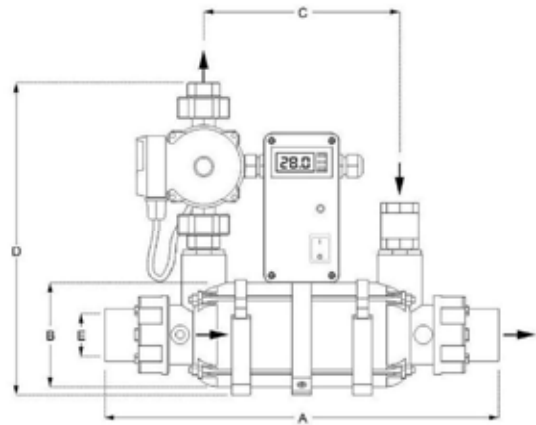
Automatic Heat Exchanger 46/84 kW in plastic-S.S/Titanium

Compact Heat Exchanger in stainless steel or titanium corrugated tube, completely wired and equipped with a circulation pump (three step for the primary circuit), nonreturn valve, on-off button, LED – control lamp and digital electric temperature regulation (adjustable from 0 – 42°C, with display of the actual temperature, adjustable bathing water temperature, and temperature difference which is factory-set at 0,5° C). Included is also a pair of plastic clamps to mount the device to the wall or on the ground.

### Compact Line Heat Exchanger



### Compact Line Dimensions



Code	Dimensions (mm)				
	A	B	C	D	E
CL-45kW- AISI Compact	415	D.110	205	345	50
CL-85kW- AISI Compact	705	D.110	495	345	50
CL-45kW- Ti Compact	415	D.110	205	345	50
CL-85kW- Ti Compact	705	D.110	495	345	50

### Compact Line AISI/Ti CL45 and 85

Description	CL45 (AISI/Ti)	CL85 (AISI/Ti)
Heat capacity	46 kW	84 kW
	39,560 kcal/h	72,240 kcal/h
Temperature difference	70 °C = 0,66 kW/°C	70 °C = 1,2 kW/°C
Exchange area	0,15 m <sup>2</sup>	0,33 m <sup>2</sup>
Primary flow	2 m <sup>3</sup> /h	1,8 m <sup>3</sup> /h
Secondary flow	10 m <sup>3</sup> /h	12 m <sup>3</sup> /h
Pressure loss primary	0,15 bar	0,25 bar
Pressure loss secondary	0,15 bar	0,22 bar
Max. pressure primary	6 bar	6 bar
Max. pressure secondary	2 bar	2 bar
Material shell	PA66/PP-30% FG	PA66/PP-30% FG
Material corrugated tube	AISI 316/ Titanium	
Voltage	230 V / 50Hz	230 V / 50Hz
Power consumption of pump	0,34 A	0,34 A
IP rating	IP 54	IP 54

### Compact Line AISI/Ti CL45 and 85 Technical Data

Model	CL45 (AISI/Ti)		CL85 (AISI/Ti)	
Pool Water	24°C	28°C	24°C	28°C
Heat Capacity	43,4 kW	40,7 kW	79,2 kW	74,4 kW
Primary in/out	90/70,8°C	90/72°C	90/51°C	90/53,3°C
Secondary in/out	24/27,8°C	28/31,5°C	24/29,7°C	28/33,4°C
Heat Capacity	36,4 kW	33,7 kW	67,2 kW	62,4 kW
Primary in/out	80/64°C	80/65,1°C	80/47°C	80/49,4°C
Secondary in/out	24/27,1°C	28/30,9°C	24/28,8°C	28/32,5°C
Heat Capacity	29,4 kW	26,7 kW	55,2 kW	50,4 kW
Primary in/out	70/57°C	70/58,3°C	70/43°C	70/45,4°C
Secondary in/out	24/26,5°C	28/30,3°C	24/28°C	28/31,6°C
Heat Capacity	22,4 kW	19,7 kW	43,2 kW	38,4 kW
Primary in/out	60/50,2°C	60/51,4°C	60/39°C	60/30,8°C
Secondary in/out	24/25,9°C	28/29,7°C	24/27,1°C	28/30,8°C
Heat Capacity	15,4 kW	12,7 kW	31,2 kW	26,4 kW
Primary in/out	50/43,3°C	50/44,5°C	50/35°C	50/37,2°C
Secondary in/out	24/25,3°C	28/29,1°C	24/26,2°C	28/29,9°C

# Pool Heating

## WATER/WATER HEAT EXCHANGER

Water Heat Exchanger 25/46kW at 90°C in S.S/Titanium

Water/water heat exchanger with corrugated coiled tubing in cross flow, stainless steel or titanium-corrugated coiled tubing, offers high energy efficiency. The plastic shell can endure high pressure and is corrosion resistant. The individual components are sealed with silicon gaskets and ensure longevity of the whole heat exchanger. Like all coiled tubing heat exchanger, they must be integrated in the bathing water circuit either directly or through the bypass-system. Material shell is made of PA66/PP-30% FG.

### CLT25 - Heat Exchanger



### CLT45 - Heat Exchanger



### CLT85 - Heat Exchanger



### CLT105 - Heat Exchanger



### CLT25-105 Specifications

Model	Heat capacity	Temperature difference	Exchange area	Primary flow	Secondary flow	Pressure loss primary	Pressure loss secondary	Max. pressure primary	Max. pressure secondary	Material corrugated tube
CLT25 (AISI/Ti)	25kW	70°C=0,36 kW/°C	0,09 m²	2 m³/h	8 m³/h	0,10 bar	0,11 bar	6 bar	2 bar	AISI 316/ Titanium
	21,500 kcal/h									
CLT45 (AISI/Ti)	46kW	70°C=0,66 kW/°C	0,15 m²	2 m³/h	10 m³/h	0,15 bar	0,15 bar	6 bar	2 bar	
	39,560 kcal/h									
CLT85 (AISI/Ti)	91 kW	70°C = 1,3 kW/°C	0,33 m²	2 m³/h	12 m³/h	0,28 bar	0,22 bar	6 bar	2 bar	
	78,260 kcal/h									
CLT105 (AISI/Ti)	126 kW	70°C = 1,8 kW/°C	0,54 m²	2 m³/h	15 m³/h	0,36 bar	0,30 bar	6 bar	2 bar	
	108,360 kcal/h									

### CLT25 and 45 Technical Data

Model	CLT25			CLT45		
Pool Water	20°C	24°C	28°C	20°C	24°C	28°C
Heat Capacity	25kW	23,5kW	22,1kW	46kW	43,4kW	40,7kW
Primary in/out	90/79°C	90/79,6°C	90/80,2°C	90/69,6°C	90/70,8°C	90/72°C
Secondary in/out	20/22,7°C	24/2,5°C	28/30,4°C	20/24°C	24/27,8°C	28/31,5°C
Heat Capacity	21,5 kW	20 kW	18,6 kW	39 kW	36,4 kW	33,7 kW
Primary in/out	80/70,5°C	80/71,2°C	80/71,8°C	80/62,8°C	80/64°C	80/65,1°C
Secondary in/out	20/22,3°C	24/26,2°C	28/30°C	20/23,4°C	24/27,1°C	28/30,9°C
Heat Capacity	18 kW	16,5 kW	15,1 kW	32 kW	29,4 kW	26,7 kW
Primary in/out	70/62°C	70/62,8°C	70/63,4°C	70/55,9°C	70/57°C	70/58,3°C
Secondary in/out	20/21,9°C	24/25,8°C	28/29,6°C	20/22,8°C	24/26,5°C	28/30,3°C
Heat Capacity	14,5 kW	13 kW	11,6 kW	25 kW	22,4 kW	19,7 kW
Primary in/out	60/53,6°C	60/54,3°C	60/54,9°C	60/49°C	60/50,2°C	60/51,4°C
Secondary in/out	20/21,6°C	24/25,4°C	28/29,2°C	20/22,1°C	24/25,9°C	28/29,7°C
Heat Capacity	11 kW	9,5 kW	8,1 kW	18 kW	15,4 kW	12,7 kW
Primary in/out	50/45,2°C	50/45,9°C	50/46,5°C	50/42,1°C	50/43,3°C	50/44,5°C
Secondary in/out	20/21,2°C	24/25°C	28/28,9°C	20/21,5°C	24/25,3°C	28/29,1°C

### CLT85 and 105 Technical Data

Model	CLT85			CLT105		
Pool Water	20°C	24°C	28°C	20°C	24°C	28°C
Heat Capacity	91 kW	85,8 kW	80,6 kW	126 kW	118,8 kW	111,6 kW
Primary in/out	90/49,6°C	90/52°C	90/54,2°C	90/34°C	90/37,3°C	90/40,5°C
Secondary in/out	20/26,5°C	24/30,2°C	28/33,8°C	20/27,2°C	24/30,8°C	28/34,4°C
Heat Capacity	78 kW	72,8 kW	67,6 kW	108 kW	100,8 kW	93,6 kW
Primary in/out	80/45,5°C	80/47,8°C	80/50,1°C	80/32,3°C	80/35,5°C	80/38,7°C
Secondary in/out	20/25,6°C	24/29,2°C	28/32,9°C	20/26,2°C	24/29,8°C	28/33,4°C
Heat Capacity	65 kW	59,8 kW	54,6 kW	90 kW	82,8 kW	75,6 kW
Primary in/out	70/41,4°C	70/43,7°C	70/46°C	70/30,4°C	70/33,6°C	70/36,7°C
Secondary in/out	20/24,7°C	24/28,3°C	28/31,9°C	20/25,2°C	24/28,8°C	28/32,4°C
Heat Capacity	52 kW	46,8 kW	41,6 kW	72 kW	64,8 kW	57,6 kW
Primary in/out	60/37,2°C	60/39,5°C	60/41,8°C	60/28,4°C	60/31,6°C	60/34,8°C
Secondary in/out	20/23,7°C	24/27,4°C	28/31°C	20/24,1°C	24/27,7°C	28/31,3°C
Heat Capacity	39 kW	33,8 kW	28,6 kW	54 kW	46,8 kW	39,6 kW
Primary in/out	50/33°C	50/35,2°C	50/37,5°C	50/26,4°C	50/29,6°C	50/32,7°C
Secondary in/out	20/22,8°C	24/26,4°C	28/30,1°C	20/23,1°C	24/26,7°C	28/30,3°C

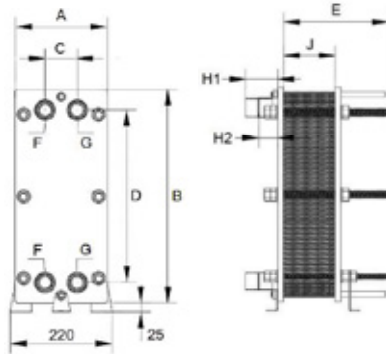
# Pool Heating

## BOLTED PLATE HEAT EXCHANGER

Plate Line Bolted 40 to 300 kW at 70°C in S.S or titanium

These plate heat exchanger have been made to heat bathing water with warm water. They are calculated at a temperature of 70/60/50/40°C and have an operating range from 15 to 300 kW. Take advantage of the bolted plate heat exchanger, which feature high energy efficiency at low pressure loss, and are available in stainless steel AISI 316 or titanium.

### PTH 40 -300 kW



#### Calculation information for the capacity on the secondary side

The plate heat exchanger are calculated based on a pool water temperature (secondary) of 20°C. If you desire a pool water temperature of, e.g., 30°C, you should pick the row with 10°C less in the primary circuit to accurately capture the real performance of the plate exchanger.

Code	Dimensions (mm)							
	A	B	C	D	E	H1/F	H1/G	J
PTH-407 AISI / Ti	200	460	69	380	147	70mm/11/4"	40/11/4"	20,5
PTH-409 AISI / Ti	200	460	69	380	147	70mm/11/4"	40/11/4"	20,5
PTH-411 AISI / Ti	200	460	69	380	147	70mm/11/4"	40/11/4"	20,5
PTH-415 AISI / Ti	200	460	69	380	147	70mm/11/4"	40/11/4"	20,5
PTH-419 AISI / Ti	200	460	69	380	147	70mm/11/4"	40/11/4"	20,5

H1/F and H1/G also available in titanium/AISI316 or (AISI316/PVC)/AISI 316

### PTH 85 and 105 Specifications

Model	PTH-407	PTH-411	PTH-415	PTH-423	PTH-427	PTH-435	PTH-439
Heat capacity	40 kW	75 kW	100 kW	170 kW	195 kW	260 kW	300 kW
Primary in/out	70/45°C	70/43,8°C	70/42,7°C	70/42,5°C	70/42,4°C	70/41,6°C	70/42°C
Secondary in/out	20/44,6°C	20/47°C	20/48°C	20/47,5°C	20/48°C	20/48°C	20/47,5°C
Heat capacity	33 kW	60 kW	78 kW	133 kW	153 kW	202 kW	235 kW
Primary in/out	60/40°C	60/39°C	60/38,6°C	60/38,4°C	60/38,4°C	60/38°C	60/38°C
Secondary in/out	20/40,3°C	20/41,6°C	20/41,7°C	20/41,6°C	20/42°C	20/42°C	20/41,6°C
Heat capacity	24 kW	43 kW	57 kW	98 kW	112 kW	147 kW	170 kW
Primary in/out	50/35°C	50/35°C	50/34,4°C	50/34,1°C	50/34,2°C	50/34 °C	50/34,2°C
Secondary in/out	20/34,8°C	20/35,5°C	20/35,9°C	20/36°C	20/36,1°C	20/36°C	20/35,6°C
Heat capacity	15 kW	26 kW	36 kW	62 kW	71 kW	95 kW	107 kW
Primary in/out	40/30,7°C	40/31°C	40/30,2°C	40/30°C	40/30°C	40/29,7°C	40/30,1°C
Secondary in/out	20/29,3°C	20/29,4°C	20/30°C	20/30,1°C	20/30,2°C	20/30,3°C	20/29,8°C
Primary flow	1,4 m³/h	2,5 m³/h	3,2 m³/h	5,4 m³/h	6,2 m³/h	8 m³/h	9,4 m³/h
Secondary Flow	1,4 m³/h	2,4 m³/h	3,1 m³/h	5,3 m³/h	6 m³/h	8 m³/h	9,4 m³/h
Pressure loss primary	0,22 bar	0,25 bar	0,20 bar	0,23 bar	0,22 bar	0,22 bar	0,23 bar
Pressure loss secondary	0,24 bar	0,25 bar	0,21 bar	0,25 bar	0,23 bar	0,24 bar	0,26 bar
Basis of Calculation	Secondary 20°C						
Installation pool	bypass						
No. of plates	7	11	15	23	27	35	39
Area	0,21 m²	0,37 m²	0,53 m²	0,86 m²	1 m²	1,35 m²	1,52 m²
Material of plates	AISI 316 / titanium						
Material of threaded rod	AISI 304						
Max. temperature	90°C						
Max. pressure	10 bar						
Empty weight AISI 316	25 kg	26 kg	27 kg	30 kg	31 kg	34 kg	35 kg
Empty weight titanium	24 kg	25 kg	25 kg	27 kg	28 kg	30 kg	31 kg
Mat. of coated frame	S 235 JR						
NBHRT gaskets	Max. 150°C						

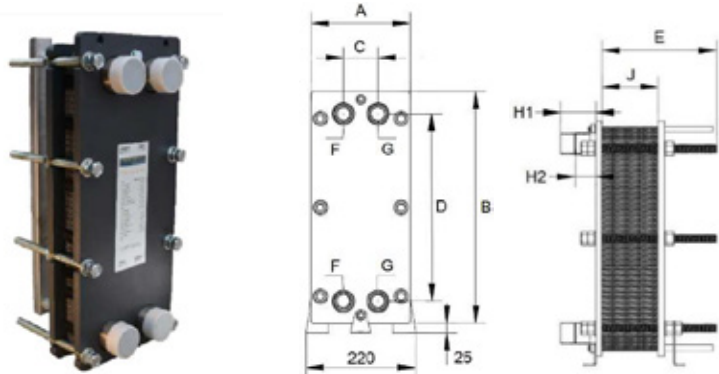
# Pool Heating

## BOLTED PLATE HEAT EXCHANGER

Plate Line Bolted 400 to 1200 kW at 70°C in S.S or titanium

These plate heat exchanger have been made to heat bathing water with warm water. They are calculated at a temperature of 70/60/50/40°C and have an operating range from 145 to 1200 kW. Take advantage of the bolted late heat exchanger, which feature high energy efficiency at low pressure loss, and are available in stainless steel AISI 316 or titanium

PTH 400 -1200 kW



### Calculation information for the capacity on the secondary side

The plate heat exchanger are calculated based on a pool water temperature (secondary) of 20°C. If you desire a pool water temperature of, e.g., 30°C, you should pick the row with 10°C less in the primary circuit to accurately capture the real performance of the plate exchanger.

Code	Dimensions (mm)							
	A	B	C	D	E	H1/F	H1/G	J
13M-PTH 14A/7B AISI/Ti	310	725	125	600	630	58mm/21/4"	58mm/21/4"	71
13M-PTH 17A/10B AISI/Ti	310	725	125	600	630	58mm/21/4"	58mm/21/4"	91
13M-PTH 25A/8B AISI/Ti	310	725	125	600	630	58mm/21/4"	58mm/21/4"	112
13M-PTH 27A/10B AISI/Ti	310	725	125	600	630	58mm/21/4"	58mm/21/4"	125
13M-PTH 26A/17B AISI / Ti	310	725	125	600	630	58mm/21/4"	58mm/21/4"	146

H1/F and H1/G also available in titanium/AISI316 or (AISI316/PVC)/AISI 316

### PTH 400 -1200 kW Specifications

Model	13M-PTH 14A/7B	13M-PTH 17A/10B	13M-PWT 27A/10B	13M-PWT 31A/18B	13M-PWT 35A/18B	13M-PWT 46A/15B
Heat capacity	400 kW	500 kW	700 kW	900 kW	1000 kW	1200 kW
Primary in/out	70/41°C	70/41°C	70/36°C	70/37°C	70/36,2°C	70/35°C
Secondary in/out	20/47,5°C	20/47°C	20/44°C	20/44,2°C	20/42,7°C	20/43,5°C
Heat capacity	310 kW	390 kW	550 kW	710 kW	790 kW	940 kW
Primary in/out	60/37,45°C	60/37°C	60/33°C	60/34°C	60/33,4°C	60/32,5°C
Secondary in/out	20/41,4°C	20/41°C	20/39°C	20/39°C	20/38°C	20/38,5°C
Heat capacity	225 kW	290 kW	400 kW	525 kW	572 kW	660 kW
Primary in/out	50/33,6°C	50/33,1°C	50/30,6°C	50/30,9°C	50/30,8°C	50/30,8°C
Secondary in/out	20/35,5°C	20/35,6°C	20/33,8°C	20/34,1°C	20/33°C	20/32,9°C
Heat capacity	145 kW	190 kW	255 kW	344 kW	375 kW	425 kW
Primary in/out	40/29,5°C	40/29°C	40/27,7°C	40/27,5°C	40/27,4°C	40/27,7°C
Secondary in/out	20/30°C	20/30,2°C	20/28,8°C	20/29,3°C	20/28,5°C	20/28,3°C
Primary flow	12 m³/h	15 m³/h	18 m³/h	24 m³/h	26 m³/h	30 m³/h
Secondary Flow	12,5 m³/h	16 m³/h	25 m³/h	32 m³/h	38 m³/h	44 m³/h
Pressure loss primary	0,27 bar	0,24 bar	0,20 bar	0,18 bar	0,19 bar	0,20 bar
Pressure loss secondary	0,31 bar	0,29 bar	0,40 bar	0,34 bar	0,42 bar	0,46 bar
Basis of Calculation	20°C					
No. of plates	21	27	37	49	53	61
Area	2,38m²	3,13m²	4,38m²	5,88m²	6,38m²	7,38m²
Material of plates	AISI 316 / titanium					
Material of threaded rod	DIN 975 88					
Max. temperature	90°C					
Max. pressure	10 bar					
Empty weight AISI 316	100 kg	104 kg	111 kg	120 kg	123 kg	128 kg
Empty weight titanium	94 kg	97 kg	101 kg	107 kg	108 kg	112 kg
Mat, of coated frame	S 355 J2+N					
NBHRT gaskets	Max. 150°C					



INSPIRED  
ByWater

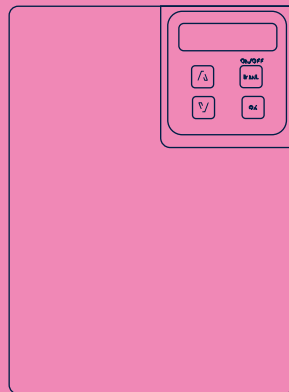
[atecpool.com](http://atecpool.com)



atecpool.com



# Water Treatment



INSPIRED  
ByWater

**ATECPOOL**

BWT GROUP



# Atecpool Chemical Dosing and Control

## Widest range of water treatment solutions for your pool

The best water treatment solution for all types of water bodies, big or small with integration of modular high end automatic monitoring and control systems from **ATECPPOOL**.

High-quality, fully automated control systems combined with a wide selection of water treatment equipment make our solutions efficient and hassle-

free. Water Treatment equipments are calibrated and designed to comply with the values regulated by the **World Health Organization (WHO) Health Department and the National Spa and Pool Institute (NSPI)** for the prevention of germs and bacteria.

**ATECPPOOL** is your best choice to ensure high quality water.



Water Treatment

UV System



# Atecpool AOP Advanced Oxidation Process

Commercial and residential



**90%**  
CHLORINE  
REDUCTION

**FASTEST  
ROI**

INSPIRED  
ByWater

**ATECPOOL**  
BWT GROUP

# Atecpool AOP Systems

## ADVANCED OXIDATION PROCESS

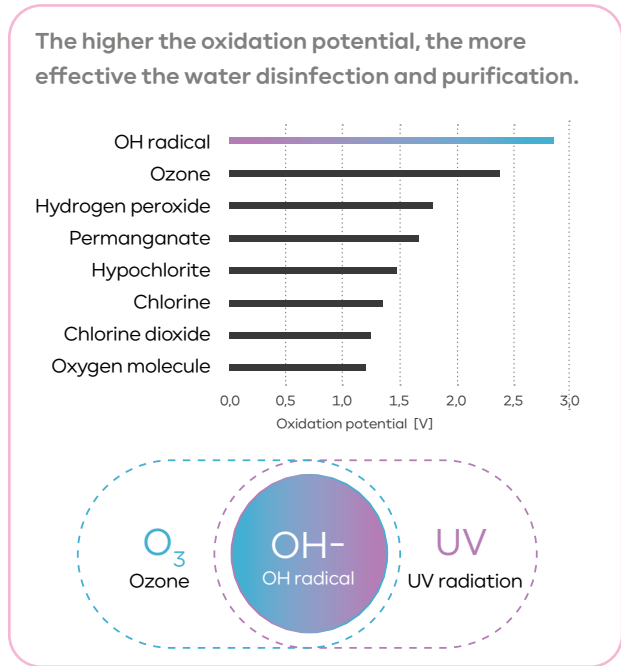


Reduces pool chemicals  
Save money

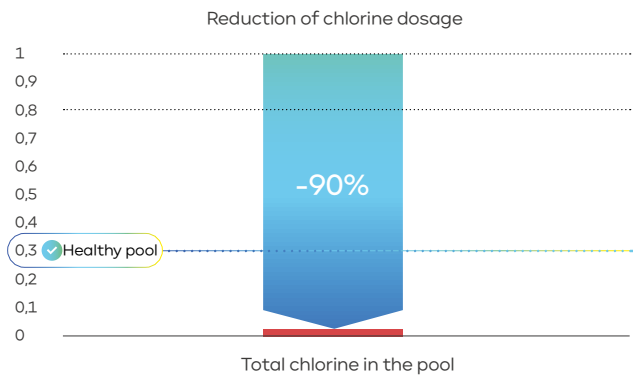
The high oxidation potential of ozone can be significantly increased by combining it with UV radiation. This method is known as advanced oxidation or UV oxidation. LifeOX® technology is based on optimised synergy between ozone and UV radiation. The advanced oxidation process (AOP) is one of the most advanced water treatment technologies available today. AOP is based on the formation of OH- radicals in the

water. These OH- radicals have a significantly higher oxidation potential than other water treatment oxidants. This means that OH- radicals (i.e., AOP technology) are able to oxidise particles in water much faster and more efficiently. The comparison can be found in the chart below. OH- radicals have a higher oxidation potential than hydrogen peroxide or ozone. The higher the oxidation potential, the more effective the water disinfection and purification.

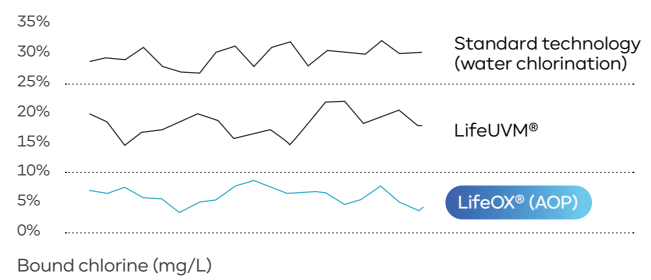
### Best disinfection technology with OH-



### The most compact design for AOP



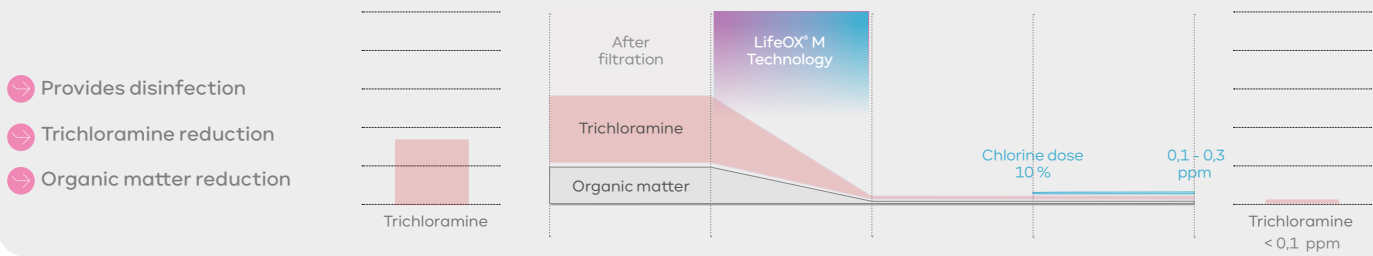
Independent measurement and testing took place in a public swimming pool in Bismo, Norway (2007)



### AOP LifeOX®M

The pool water attains the quality of drinking water, creating a healthy and pleasant environment suitable even for toddlers, asthmatics, and allergy sufferers. It is free from harmful Trichloramine and organic TOC contaminants. The concentration of

disinfecting chlorine can be reduced to 0,1-0,2 mg/L. This results in a radical reduction of operating costs and the fastest return on investment. Reduces TOC (Total organic carbon)



# Atecpool AOP Systems

## ADVANCED OXIDATION PROCESS

Salt Water Resistant

PUBLIC POOLS UP TO 250m<sup>3</sup>/h



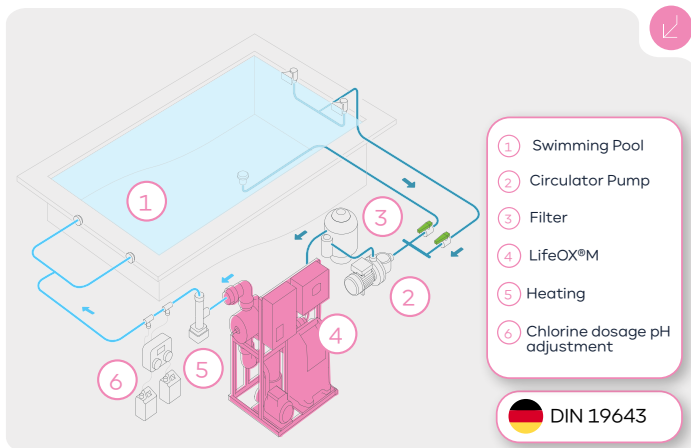
### Specifications

Description	Type
Max Flow Rate	up to 250 m <sup>3</sup> /h
Ozone Generation	Air dryer
Ozone Generation Technology	Oxygen concentrator
AOP Technology	Corona discharge
UV Lamp Type	Ozone + UV
Power Control	Medium-pressure LifeUVM®
Installation	10–100 %
Connection System	Plug and Play
Input Power (kW)	In pipes (in-line) In by-pass
Input Power (kW)	1,8– 9,0

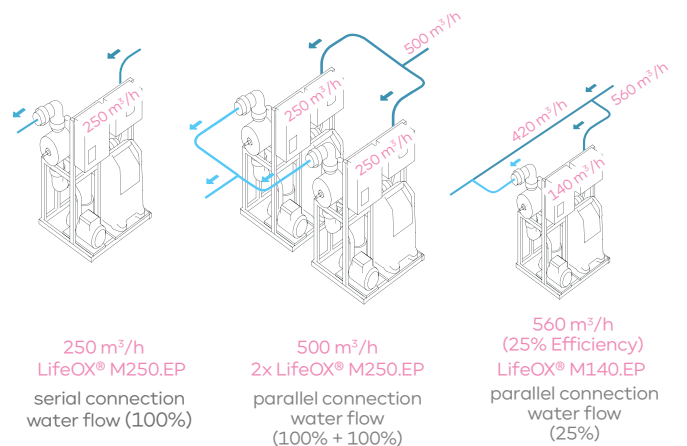
### Atecpool LifeOX - The best disinfection technology

Disinfection, prevention of trichloramine formation, and TOC reduction in a single compact system make this one of the most effective pool water treatment technologies with the fastest return on investment. Trichloramine causes: asthma, pool odor, red eyes, drying and burning of the skin, corrosion. TOC - the total amount of organic substances contaminating the water.

### Installation: Fresh Water and Salt Water pools



### AOP Flow Rates and Connections



Custom flow rates available upon request

### Model and Specifications

Model	Ozone Generation	Connection	Flow Rate	Input Power	Dimensions	Weight
			m <sup>3</sup> /h	kW	mm	kg
ATECLifeOX® M10.EP	Air dryer	2"	10	1.8	985x847x1,202	100
ATECLifeOX® M20.EP	Air dryer	2"	20	2	985x847x1,202	100
ATECLifeOX® M40.EP	Oxygen concentrator	3"	40	2.5	1,110x857x1,472	140
ATECLifeOX® M90.EP	Oxygen concentrator	DN 125 (flange)	90	3.9	1,300x1,300x2,000	250
ATECLifeOX® M140.EP	Oxygen concentrator	DN 150 (flange)	140	5.9	1,300x1,300x2,000	250
ATECLifeOX® M250.EP	Oxygen concentrator	DN 250 (flange)	250	9	1,500x1,300x2,000	280

Water Treatment

UV System



# Atecpool Medium Pressure UV Systems

Commercial and residential



INSPIRED  
ByWater

**ATECPPOOL**  
BWT GROUP

# Atecpool UV System

## PROFIPURE MEDIUM PRESSURE UV

POOLS UP TO  
**30m<sup>3</sup>/h**



### Atecpool Profipure Medium Pressure UV

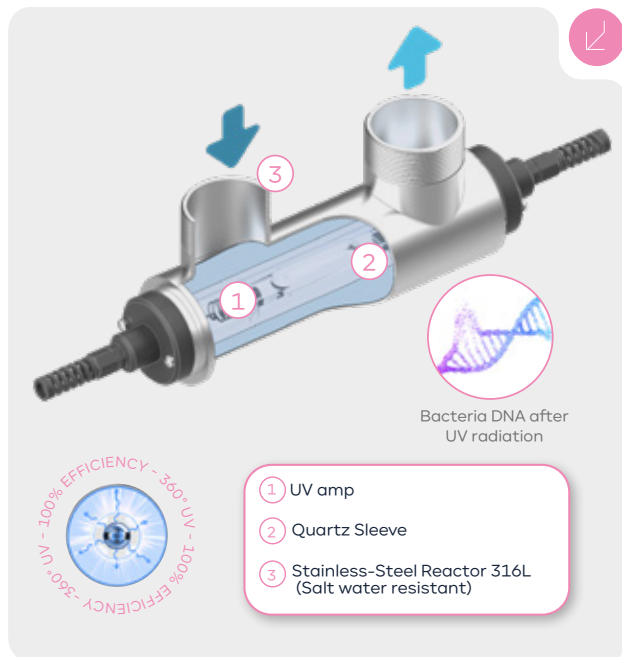
#### Atecpool Profipure - Smallest medium Pressure UV you can get

Permanent chlorine-free disinfection and elimination of unhealthy trichloramine in one compact system. Healthy pool technology. The first skincare UVM technology on the market, DIN 19643 which prevents aging of the skin. Stainless-steel reactor 316L (Salt water resistant). Public pools flow rates are at UV dose 60mJ/cm<sup>2</sup>.

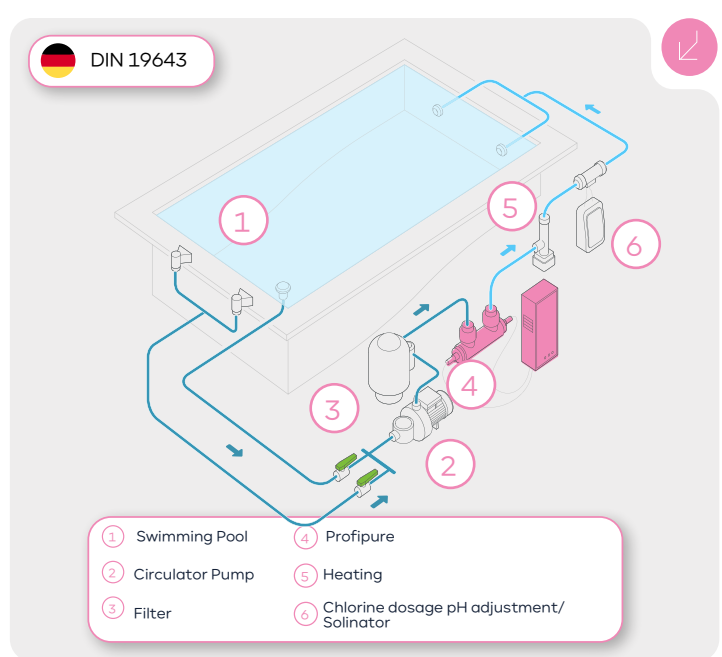
### Specifications

Description	Type
Expected life of UV lamp	5,000 hours
Salt water	Yes
Power Supply	Magnetic power supply
Connection	1 1/2"–3"
Total power input of UV lamps	0,25 - 0,8 kW
Wiper	Without wiper
Material	Stainless-steel reactor 316L (Salt water resistant)
Sensor	Temperature
Optional	UV sensor

### The most compact design



### Installation: fresh water and salt water pools



### Model and Specifications: Pools up to 42m<sup>3</sup>/h

Model	Connection	Max Flow Rate		Total power input of UV lamps kW/ phase
		m <sup>3</sup> /h (Public pools and whirlpools)	m <sup>3</sup> /h (Private pools and whirlpools)	
MINI 100	1 1/2"	4,7	12	0,25 / I
MINI 200	2"	4,7	14	0,25 / I
MINI 18	2"	9,0	14	0,25 / I
MINI 30	3"	15	38	0,40 / I
MINI 49	3"	30	42	0,80 / I

# Atecpool UV System

## PROFITINY MEDIUM PRESSURE UV

POOLS UP TO  
**49m<sup>3</sup>/h**



### Specifications

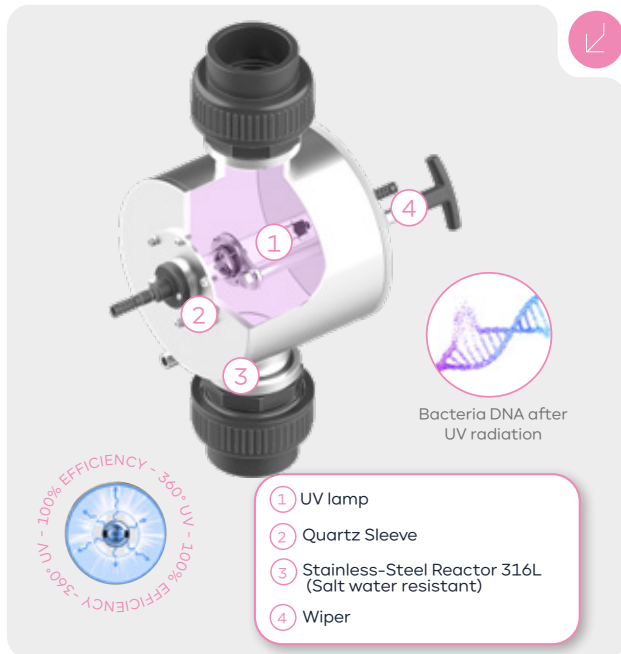
Specs.	Type
Expected life of UV lamp	5,000 hours
Salt water	Yes
Max flow rate	up to 49 m <sup>3</sup> /h
Power Supply	Magnetic power supply
Connection	2"-3"
Total power input of UV lamps	0,4 - 0,8 kW
Wiper	Without wiper, Manual wiper
Material	Stainless-steel reactor 316L (Salt water resistant)
Sensor	Temperature
Optional	UV sensor

### Atecpool Profitiny Medium Pressure UV

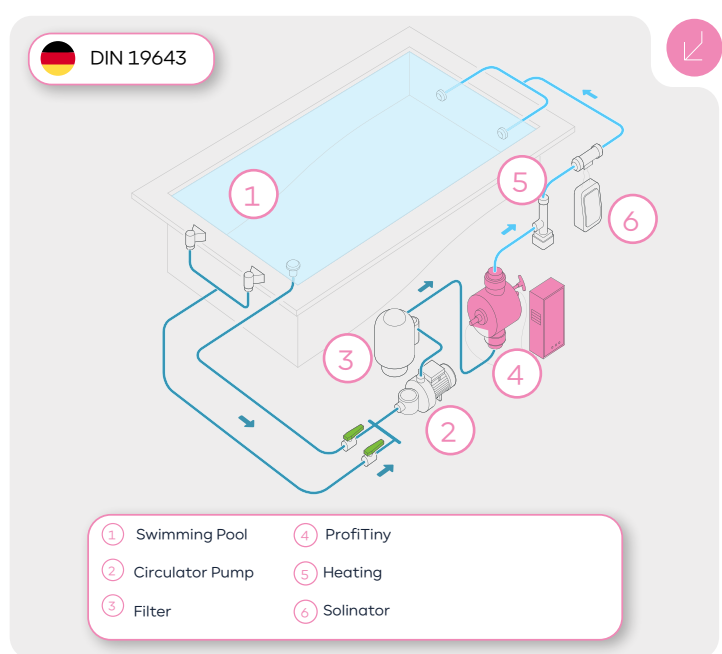
#### Reliable medium-pressure UV for easy maintenance

Permanent chlorine-free disinfection and elimination of unhealthy trichloramine in one compact system. Healthy pool technology. Minimizing the chemicals in the water plus reduction of monthly costs. Manual wiper is easy way to clean the surface of the quartz sleeves periodically to prevent energy losses and water treatment reduction. Public pools flow rates are at UV dose 60mJ/cm<sup>2</sup>.

#### The most compact design with a manual wiper



#### Installation: fresh water and salt water pools



#### Model and Specifications: Pools up to 49m<sup>3</sup>/h

Model		Connection	Max Flow Rate		Total power input of UV lamps
Without wiper (NW)	Manual wiper (MW)		m <sup>3</sup> /h (Public pools and whirlpools)	m <sup>3</sup> /h (Private pools and whirlpools)	kW/ phase
ATECUVM0104-13-NW	ATECUVM0104-13-MW	2"	9	18	0,4 / I
ATECUVM0104-25-NW	ATECUVM0104-25-MW	3"	27	38	0,4 / I
ATECUVM0204-25-NW	ATECUVM0204-25-MW	3"	44	49	0,8 / I

# Atecpool UV System

## CLEAR MEDIUM PRESSURE UV

PUBLIC POOLS UP TO  
**616m<sup>3</sup>/h**



### Atecpool Clear Medium Pressure UV

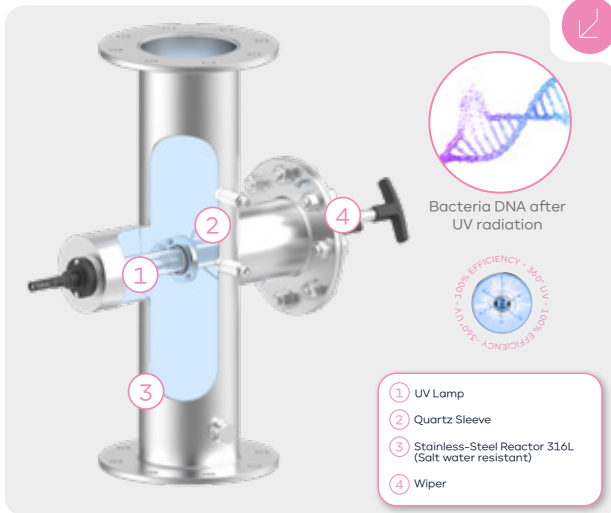
#### Atecpool Clear - The best value-to-cost ratio for public swimming pools on the market

Industrial-grade medium-pressure UV for permanent disinfection and destruction of unhealthy trichloramine in one compact system. Trichloramine causes: asthma, pool odor, red eyes, drying and burning of the skin, corrosion of materials. Reduction of chlorine dosage by up to 50%.

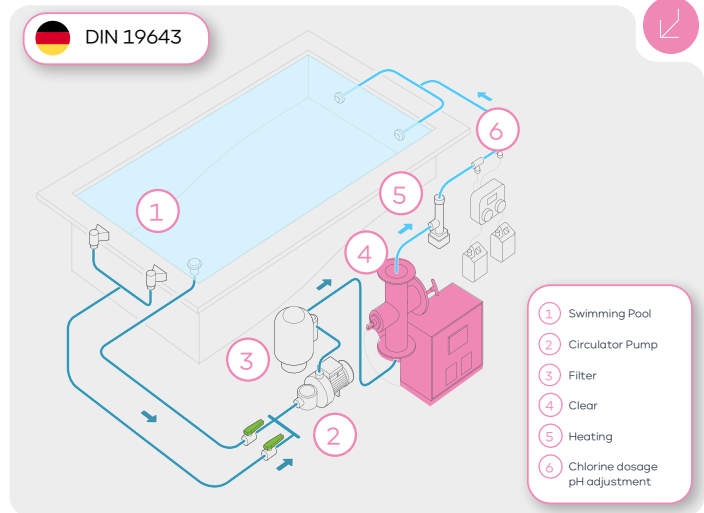
### Specifications

Specs.	Type
Expected life of UV lamp	10,000 hours
Technology (Series)	Medium-pressure UV systems (200–600 nm)
Max flow rate (UV dose 60 mJ/cm <sup>2</sup> )	up to 616 m <sup>3</sup> /h
Wiper	Manual wiper, Automatic wiper
Power supply	Magnetic power supply
Connection DN	DN 125 – DN 300 (flange)
Sensor	Temperature sensor UV sensor Modbus connection
Total power input of UV lamps	1 - 12 kW

### Industrial-grade and reliable design



### Installation: fresh water and salt water pools



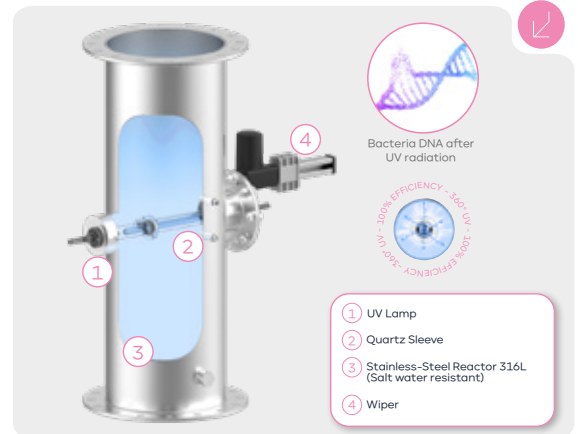
### Model and Specifications

Model		Connection	Flow Rate (Public pools and whirlpools)	Total power input of UV lamps
Manual wiper (MW)	Automatic wiper (AW)	DN	m <sup>3</sup> /h (UV dose 60 mJ/cm <sup>2</sup> )	kW/ phase
ATECUVM0110-13-MW-DN125	ATECUVM0110-13-AW-DN125	125	33	1/I
ATECUVM0110-16-MW-DN150	ATECUVM0110-16-AW-DN150	150	46	1/I
ATECUVM0120-16-MW-DN150	ATECUVM0120-16-AW-DN150	150	63	2/III
ATECUVM0120-21-MW-DN200	ATECUVM0120-21-AW-DN200	200	88	2/III
ATECUVM0220-27-MW-DN250	ATECUVM0220-27-AW-DN250	250	196	4/III
ATECUVM0320-32-MW-DN300	ATECUVM0320-32-AW-DN300	300	315	6/III
ATECUVM0420-32-MW-DN300	ATECUVM0420-32-AW-DN300	300	385	8/III
ATECUVM0620-32-MW-DN300	ATECUVM0620-32-AW-DN300	300	616	12/III

# Atecpool UV System

## TOP MEDIUM PRESSURE UV

PUBLIC POOLS UP TO **910m<sup>3</sup>/h**



- ① UV Lamp
- ② Quartz Sleeve
- ③ Stainless-Steel Reactor 316L (Salt water resistant)
- ④ Wiper

### Atecpool Top Medium Pressure UV

Permanent disinfection and destruction of unhealthy trichloramine in one compact system with unique LifeAGE® technology. The unique LifeAGE® technology will reduce operating costs by up to 50% compared to standard UVM systems, extend the lifetime of UVM lamps by up to 100%, ensure automatic regulation of the UVM lamp radiation performance according to the current pool water pollution. Reduction of chlorine dosage by up to 50%.

- ➔ Max flow rate up to 910 m<sup>3</sup>/h (UV dose 60 mJ/cm<sup>2</sup>)
- ➔ Stainless-steel reactor 316L (Salt water resistant)
- ➔ Extensions - Temperature sensor, UV sensor, Modbus connection
- ➔ Custom flow rates available on request

### Specifications

Specs.	Type
Expected life of UV lamp	18,000 hours
Technology (Series)	Medium-pressure UV systems (200–600 nm)
Power supply	Advanced electronic power supply - LifeAGE®
Total power input of UV lamps	1 – 18 kW
Wiper	Manual/Automatic

### Model and Specifications

Model		Connection	Flow Rate (Public pools and whirlpools)	Total power input of UV lamps
Manual wiper (MW)	Automatic wiper (AW)	DN	m <sup>3</sup> /h (UV dose 60 mJ/cm <sup>2</sup> )	kW/ phase
ATECUVM0110-13-MW-DN125	ATECUVM0110-13-AW-DN125	125	33	1/I
ATECUVM0110-16-MW-DN150	ATECUVM0110-16-AW-DN150	150	46	1/I
ATECUVM0120-16-MW-DN150	ATECUVM0120-16-AW-DN150	150	63	2/I
ATECUVM0120-21-MW-DN200	ATECUVM0120-21-AW-DN200	200	88	2/I
ATECUVM0130-27-MW-DN250	ATECUVM0130-27-AW-DN250	250	147	3/I
ATECUVM0130-32-MW-DN300	ATECUVM0130-32-AW-DN300	300	207	3/I
ATECUVM0230-27-MW-DN250	ATECUVM0230-27-AW-DN250	250	252	6/III
ATECUVM0230-32-MW-DN300	ATECUVM0230-32-AW-DN300	300	315	6/III
ATECUVM0330-32-MW-DN300	ATECUVM0330-32-AW-DN300	300	462	9/III
ATECUVM0430-32-MW-DN300	ATECUVM0430-32-AW-DN300	300	616	12/III
ATECUVM0430-37-MW-DN350	ATECUVM0430-37-AW-DN350	350	630	12/III
ATECUVM0430-40-MW-DN400	ATECUVM0430-40-AW-DN400	400	644	12/III
ATECUVM0530-40-MW-DN400	ATECUVM0530-40-AW-DN400	400	770	15/III
ATECUVM0630-40-MW-DN400	ATECUVM0630-40-AW-DN400	400	910	18/III

# Atecpool UV System

## ECO MEDIUM PRESSURE UV

### Atecpool Eco Medium Pressure UV

Eco medium-pressure UV lamp systems are equipped with an automatic wiper mechanism and are designed for use in drinking water treatment, swimming pools, aquaculture, and wastewater applications. Medium-pressure UV lamps operate on the broad-spectrum radiation principle, spanning from 200 to 600 nm.



UV Chamber

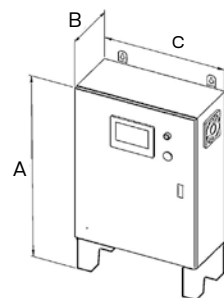
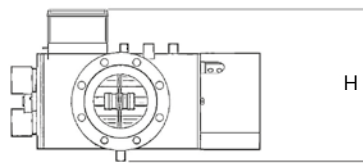
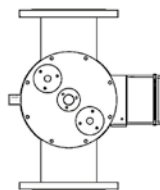
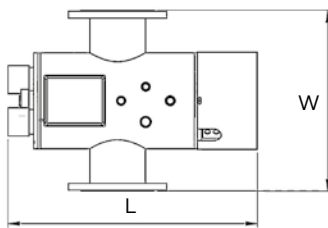


Control Cabinet

### Technical details

UV CHAMBER	
Material	SS316L (Titanium available upon request)
Quartz cleaning	Automatic Wiper (electric driving)
UV intensity sensor	Yes
Water temperature sensor	Yes
Rated lamp life	5000-7500 hours
Chamber mounting	Flow horizontal or vertical with lamps horizontal only
Operation pressure	7 Bar Maximum(positive pressure only)
CONTROL CABINET	
Standard function	Fault alarm Power switch Equipped with PLC controller and touch screen display Output of passive contact signal for equipment fault or in abnormal condition.
Protection level	IP54
Optional	Communication: Modbus (RS485 or Ethernet) OUTPUT: 4-20mA passive output of UV intensity (%) INPUT: 4-20mA passive input for UV lamps' power Cabinet made by SS304 or SS316
HMI DISPLAY	
Standard function	Displays working status of each lamp Displays operating parameters of each ballast Displays UV intensity and water temperature Displays the number of lamps' start-stop times, as well as the accumulated Displays operation hours of UV lamps Set the output of UV lamps Switch Local/Remote Control (Lamp ON/OFF) Set parameters of alarm

### Dimensions



### Model and Specifications

Model	Flow rate (m <sup>3</sup> /h)		Voltage	Lamps power	Flange	Dimensions	
	at 40 mJ/cm <sup>2</sup>	at 60 mJ/cm <sup>2</sup>				UV Chamber (L*W*H)	Control Cabinet (A*B*C)
ATECUVM-05-1	22	17	220V	0.5KW*1	DN100	560×419×372	693×179×513
ATECUVM-10-1	48	36	220V	1.0KW*1	DN100	600×419×372	893×284.5×617
ATECUVM-20-1	115	80	380V	2.0KW*1	DN150	700×419×375	893×284.5×617
ATECUVM-30-1	200	145	380V	3.0KW*1	DN150	700×419×377	893×284.5×617
ATECUVM-20-2	275	200	380V	2.0KW*2	DN200	710×543×431.5	893×284.5×718
ATECUVM-30-2	420	300	380V	3.0KW*2	DN250	710×595×483	893×284.5×718
ATECUVM-30-3	660	475	380V	3.0KW*3	DN300	710×585×516	1200×320×851
ATECUVM-30-4	920	660	380V	3.0KW*4	DN350	780×585×571.5	1200×320×851
ATECUVM-30-5	1180	850	380V	3.0KW*5	DN350	780×585×571.5	1123×543×600
ATECUVM-30-6	1500	1050	380V	3.0KW*6	DN400	870×585×626	1123×543×600
ATECUVM-30-8	2000	1500	380V	3.0KW*8	DN400	915×1000×712.5	2620×600×1200

# Atecpool UV Disinfection

## LOW PRESSURE ULTRAVIOLET SOLUTIONS

Salt Water  
Resistant

### Atecpool Low Pressure UV

Low-pressure UV lamps operate on a single-wavelength radiation principle, typically around 254 nm. This specific wavelength is highly effective in inactivating micro-organisms by directly damaging their DNA. While the targeted wavelength ensures efficient pathogen control, it consumes less energy.

### Atecpool Low Pressure UV Specifications

- Lifespan lamp: 16,000 hours
- Recommended flow rates are at UV dose 60mJ/cm<sup>2</sup>
- Salt pool resistant salt concentration up to 5 kg/m<sup>3</sup>
- Connection size: 50/63mm
- Max. Pressure: 4 bar
- Construction: Stainless-steel internal reactor - 316L,
- Outer shell in S.S lined PVC

### Model and Specifications

Model	Rec. flow rate (m <sup>3</sup> /h)	Max flow rate (m <sup>3</sup> /h)	Power (W)	Max Pressure (bar)
<b>ATECOX@L100</b>	13	23	48	4
<b>ATECOX@L200</b>	19	23	87	4



### Atecpool LifeUVC Multi-lamp UV System

Chlorine-free disinfection with a highly elective, compact UV-C system. Healthy pool technology that ensures safe and gentle water treatment. Advanced low-pressure UV technology minimizes chemical use and reducing monthly maintenance costs. The robust design allows for multiple lamp configurations, making it ideal for various pool sizes and conditions.

### Atecpool LifeUVC Specifications

- Lifespan lamp: 16,000 hours
- Salt pool resistant salt concentration up to 5 kg/m<sup>3</sup>
- Total power: 48-522W
- Max. pressure: 4 bar
- Power supply: Advanced Electronic Ballast, 100-240 V/50-60Hz
- Construction: Stainless-steel reactor - 316L



### Model and Specifications

Model	Connection	Rec. Flow Rate m <sup>3</sup> /h (UV dose 60mJ/cm <sup>2</sup> )	Max Flow Rate m <sup>3</sup> /h (UV dose 30mJ/cm <sup>2</sup> )	Lamp Power W
<b>ATECUVC0148-16-NW-G2</b>	2"	3	6	48
<b>ATECUVC0187-16-NW-G3</b>	3"	6,5	13	87
<b>ATECUVC0287-16-NW-G3</b>	3"	13	26	2x87
<b>ATECUVC0387-16-NW-G3</b>	3"	20	40	3x87
<b>ATECUVC0387-20-NW-DN100</b>	DN100	25	50	3X87
<b>ATECUVC0487-20-NW-DN125</b>	DN125	34	68	4X87
<b>ATECUVC0587-20-NW-DN125</b>	DN125	42	84	5X87
<b>ATECUVC0687-20-NW-DN150</b>	DN150	50	100	6X87
<b>ATECUVC0687-27-NW-DN150</b>	DN150	66	132	6X87

# UV Disinfection

## LOW PRESSURE ULTRAVIOLET SOLUTIONS

### Standard UV Disinfection - 316L Stainless Steel Housing



ATEC E-5

Atec E-Series UV System disinfection in a very compact design, with easily replaceable lamps that are with single base. Suitable for residential pools, fish ponds, residential drinking water treatment. The UV lamp provides a UV dose of 30 mJ/cm<sup>2</sup>, which is sufficient disinfection and protection against 99.9% chlorine resistant micro-organisms.

### ATEC E-Series UV Sterilizers Specifications

- Reduces the chlorine consumption up to 50%.
- 316L Stainless Steel housing with mirror polished interior that increases the
- UV-C radiation reflection, thereby increasing the efficiency by up to 35%.
- Optional timer to control the running operation hours.
- Single-base lamps and patented sealing system for an easy maintenance.
- Inlet / outlet connections using unions supplied.
- Lamp service life (up to 9.000 hr)
- Power supply: 120 / 240V / 50 - 60Hz

Code	Max flow rate	Rec. flow rate	Pressure	UV Lamp	Max Current	Inlet/Outlet diameter PVC Union
	m <sup>3</sup> /h (UV dose 30mJ/cm <sup>2</sup> )	m <sup>3</sup> /h (UV dose 60mJ/cm <sup>2</sup> )	Bar	W	A	inch
ATEC E-5	7	3,5	3	16W	0,29	1,5"
ATEC E-15	20	10	3	40W	0,29	2"
ATEC E-20	25	12,5	3	75W	0,29	2"

### Standard UV Disinfection - 316L Stainless Steel Housing With Flow Switch



ATEC E-40

Atec E-Series UV System disinfection in a very compact design, with easily replaceable lamps that are with single base. The amalgam version includes a flow switch that cuts-off the lamp power to protect the system from over heating when the water flow is lower than required.

### ATEC E-Series UV Sterilizers Specifications

- Equipped with flow switch
- Inlet / outlet connections using unions supplied
- Lamp service life (up to 9.000 hr)
- Power supply: 120 / 240V / 50 - 60Hz

Code	Max flow rate	Rec. flow rate	Pressure	UV Lamp	Max Current	Inlet/Outlet diameter PVC Union
	m <sup>3</sup> /h (UV dose 30mJ/cm <sup>2</sup> )	m <sup>3</sup> /h (UV dose 60mJ/cm <sup>2</sup> )	Bar	W	A	inch
ATEC E-40	30	15	3	130W	1,1	2"

### UV - C Ozone Disinfection - 316L Stainless Steel Housing



ATEC UV - C Ozone

Atec UV-C Ozone uses a combination of ozone and UV-C technology for advanced water disinfection. Water is pumped into the unit through the reactor, while air is drawn in through a venturi system via an air injector, passing through quartz glass and the UV-C ozone lamp. The air enters the lamp chamber, becomes enriched with ozone particles, then passes through a ball valve and mixes with the water inside the reactor. This process provides effective UV-C ozone disinfection for water bodies.

Code	Max flow rate	UV dose at actual flow rates	Pressure	UV Lamp	Max Current	Inlet/Outlet diameter PVC Union
	m <sup>3</sup> /h	mJ/cm <sup>2</sup>	Bar	W	A	inch
ATEC UV - C Ozone	25	60-100	3	87W	1,1	2"

# Atecpool UV System

## LOW PRESSURE ULTRAVIOLET SOLUTIONS

### Stainless Steel UV - Low Pressure Reactors

Delivering most of the UV output in the germicidal absorbance curve peak, low pressure lamps operate at a lower temperature than medium pressure lamps. Low-pressure UV lamps operate on a single-wavelength radiation principle, typically around 254 nm.

### Technical details



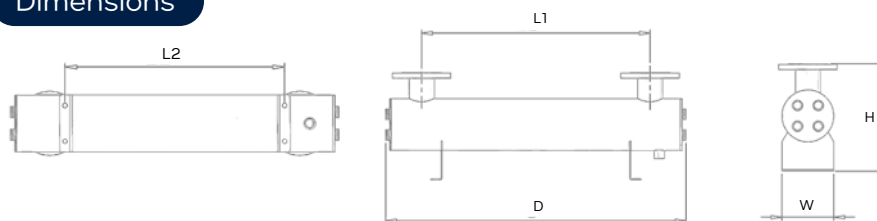
UV Chamber



Control Cabinet

UV CHAMBER	
Material	SS316L
Ballasts	Electronic ballast
Wiper	Standard supply: No wiper Optional: Automatic wiper driven by compressed air / Manual wiper
Rated lamp life	9000-12000 hours
Operation pressure	7 Bar Maximum (positive pressure only)
CONTROL CABINET	
Standard function	Accumulated operation hours. Flashing buzzer of lamp fault. Lamp status indicator

### Dimensions



### Model and Specifications

Model	Flow rate	Voltage	Lamps power	Flange	Dimensions of Chamber(mm)				
					L1	L2	D	W	H
	at 40 mJ/cm <sup>2</sup>	V AC 50Hz							
ATECUVL-40-2	8	220V	40W×2	DN40	740	615	960	145	242
ATECUVL-40-3	14	220V	40W×3	DN50	720	615	960	159	319
ATECUVL-40-4	18	220V	40W×4	DN65	720	615	960	159	319
ATECUVL-80-2	15	220V	80W×2	DN50	700	615	960	180	242
ATECUVL-80-3	22	220V	80W×3	DN65	690	615	960	195	329
ATECUVL-80-4	30	220V	80W×4	DN80	690	615	960	195	329
ATECUVL-80-5	40	220V	80W×5	DN80	690	615	960	195	329
ATECUVL-80-6	45	220V	80W×6	DN80	690	615	960	219	399
ATECUVL-120-4	45	220V	120W×4	DN80	950	615	1240	195	329
ATECUVL-120-5	53	220V	120W×5	DN100	930	615	1240	219	419
ATECUVL-120-6	70	220V	120W×6	DN100	930	615	1240	219	419
ATECUVL-120-7	82	220V	120W×7	DN100	930	615	1240	219	419
ATECUVL-120-8	100	220V	120W×8	DN150	860	615	1240	280	419
ATECUVL-120-9	116	220V	120W×9	DN150	860	615	1240	280	473
ATECUVL-320-4	140	220V	320W×4	DN150	1300	900	1660	280	419
ATECUVL-320-5	180	220V	320W×5	DN150	1300	900	1660	280	419
ATECUVL-320-6	260	220V	320W×6	DN150	1300	900	1660	280	473
ATECUVL-320-7	310	220V	320W×7	DN200	1240	900	1660	340	493
ATECUVL-320-8	360	220V	320W×8	DN200	1240	900	1660	340	493
ATECUVL-320-9	435	220V	320W×9	DN200	1240	900	1660	340	565
ATECUVL-320-10	480	220V	320W×10	DN200	1240	900	1660	340	565
ATECUVL-320-11	530	220V	320W×11	DN250	1200	900	1660	390	580
ATECUVL-320-12	580	380V	320W×12	DN250	1200	900	1660	390	580
ATECUVL-320-15	720	380V	320W×15	DN250	1200	900	1660	406	691
ATECUVL-320-18	900	380V	320W×18	DN300	1160	900	1660	440	691
ATECUVL-320-21	1160	380V	320W×21	DN300	1160	900	1660	500	661

Standard supply without wiper

# UV Disinfection

## LOW PRESSURE ULTRAVIOLET SOLUTIONS



### HDPE UV - Low Pressure Reactors

The high quality HDPE reactors of HDPE series have been designed to treat highly corrosive water. Besides that, HDPE is resistant to aggressive UV radiation. They are suited for all kinds of disinfection and UV-C treatment applications for swimming pools and can even be used for the production of ultrapure water, semiconductor, pharmaceutical and cosmetic industries.

### Aquaculture - Protection Against Fish Diseases

Pathogens are the scourge of fish farmers and are often controlled with antibiotics. This has a negative impact on the water quality and thus also on the quality of the fish. UV-C radiation is safe and protects against fish diseases. Atecpool UV-C systems are therefore very cost-effective for the inactivation of many types of bacteria, viruses and parasite and provide healthy, clear and safe water that protects against infectious fish diseases. This results in a pure, untainted product: better and healthier fish, without residual medications. In addition, Atecpool UV-C systems are suited to combat bacteriological and microbiological hazards and bring water to the quality level the sector is required to meet.

### Specifications

- UV radiation resistant
- Suitable for corrosive water
- Fish hatcheries
- Intake/discharge water
- Aquarium
- Processing plants
- Inlet/outlet connection as per selection of UV dose

Code	Max. flow rate m <sup>3</sup> /h (UV dose 30mJ/cm <sup>2</sup> )	Rec. flow rate m <sup>3</sup> /h (UV dose 60mJ/cm <sup>2</sup> )	Lamp Power w	Max Pressure bar	Input power kW
75-110	10	5	1x75	6	0,08
140-110	17	8,5	1x140	6	0,16
200-110	23	11,5	1x200	6	0,23
200-160	35	17,5	1x200	6	0,23
400-200	83	41,5	2x200	6	0,45
600-225	124	62	3x200	6	0,68
975-315	278	139	3x325	4	1,11
1950-315	544	272	6x325	4	2,21

UV irradiation can destroy residual ozone in the water instantly, by breaking one of the oxygen bonds in the ozone molecule. A final method for using UV is with Advanced Oxidation Process (AOP); using AOP in aquaculture reduces micropollutants like geosmin and MIB which cause unpleasant flavour in the fat tissue of the fish. Through the combination with an oxidant such as hydrogen peroxide or ozone, hydroxyl radicals are formed. Hydroxyl radicals are the strongest oxidant that can be applied in water environments.

### HDPE Control Units

#### Control Monitor Plus

The Control Monitor Plus is a complete, multilingual controller. A UV sensor, temperature sensor and a flowswitch can be connected. The control unit has alarm and warning functions built-in.

#### Control Monitor

The Control Monitor has a colour display and an optional UV sensor can be connected for monitoring the treatment process.

#### Control Timer

The Control Timer has a LED display for showing the operational lamp hours. The maximum number of burning hours are displayed when the system is started. After this the display counts down to 0, at which time the lamp must be replaced.

Salt Water Electrolysis

Healthier Water



# Atecpool ChlorSys On-Site Chlorine Generators

## Hypochlorite Generator Units



INSPIRED  
ByWater

**ATECPOOL**  
BWT GROUP

# Atecpool ChlorSys BSE Series

## ON-SITE CHLORINE GENERATOR

### Atecpool ChlorSys BSE Series

The ChlorSys BSE Series is a range of electrochlorination system that generates 0.8% sodium hypochlorite using salt, water, and electricity capacities range from 50 g/hr to upwards of 1000 g/hr. These systems are modular, allowing for significant customization. On demand sodium hypochlorite production eliminates storage and transportation hassles of chemicals. Low disinfection process minimizes all sorts of corrosion involved.



ChlorSys BSE-50

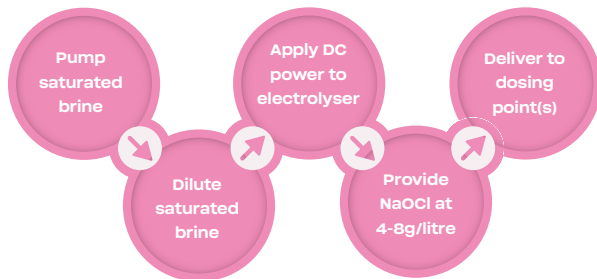


ChlorSys BSE-500

### Advantages of the ChlorSys BSE Series

- ➔ **Patented electrodes**  
DSA coated, bipolar electrodes with a service life of 5+ years.
- ➔ **Low disinfection by-products (DBPS)**  
Chlorate levels in hypochlorite produced by the BSE-Series are very low and have been proven via laboratory studies.
- ➔ **Transparent electrolyzing tube**  
Each electrode can be observed through a transparent cell allowing for ease of view during acid cleaning
- ➔ **Modular design**  
The system's modular design allows for customizable capacity requirements
- ➔ **Plug and play**  
Pre-assembled hypochlorite generators provides the convenience of easy installation with brine solution and water connection to be connected to the skid.

### On-site chlorine generation process

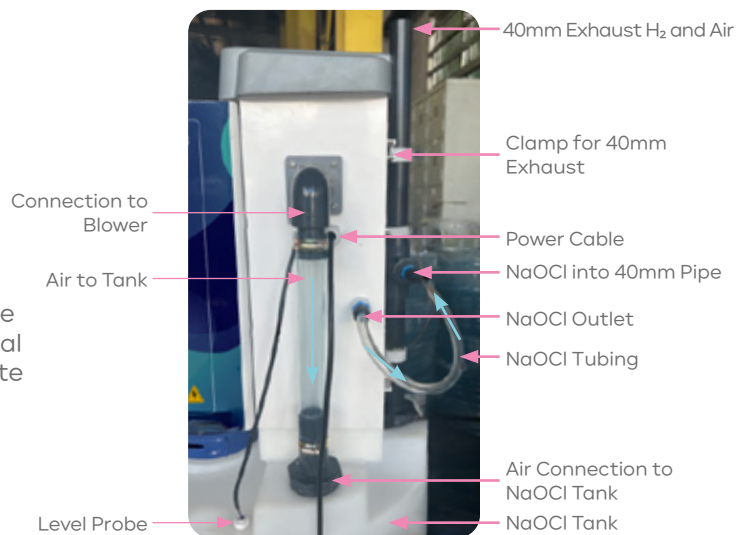


In the electrolyzer, an electric current is applied to brine (a sodium chloride solution), causing an electrochemical reaction that converts the salt into sodium hypochlorite (NaOCl) and releases hydrogen gas.

The reaction can be simplified as follows below:



### Components of ChlorSys BSE-50



### Specifications BSE Series

ChlorSys Model No.	BSE-50	BSE-100	BSE-200	BSE-300	BSE-400	BSE-500	BSE-800	BSE-1000
Available Chlorine (gm/hr)	50	100	200	300	400	500	800	1000
Available Chlorine (kg/day)	1,4	2,4	4,8	7,8	9,6	12	19,2	24
Water Consumption (m³/day)	0,28	0,3	0,6	0,9	1,2	1,5	2,4	3,0
Salt Consumption (kg/day)	6	8,4	16,8	25,2	33,6	42	67,2	84
Rated Power (kW)	0,3	0,6	1,2	1,8	2,4	3,0	4,8	6,0
Weight (kg)	20	260	280	310	330	350	660	700

# Atecpool ChlorSys B Series

## ON-SITE CHLORINE GENERATOR

### Atecpool ChlorSys - B Series

ChlorSys B Series is an electrochlorination system that generates 0.8% sodium hypochlorite using salt, water, and electricity. Applications include large water bodies and lagoons disinfection, wastewater disinfection, food processing, oilfield water sterilization, cooling water treatment in power plants, hospitals, and more. Capacities range from 1.5 kg/hr to upwards of 50 kg/hr. These systems are modular, allowing for significant customization.



### Advantages of the ChlorSys - B Series

- ➔ ChlorSys B Series systems produce NaOCl from saturated brine at a concentration of 0.8% (8 g/L).
- ➔ Electrolyser output capacities range from 1.5 kg/h to 50kg/h.
- ➔ Operating inputs are salt, water and electricity.
- ➔ Safety of operators is a top priority; system poses no risk of chlorine leakage or reactor explosions.
- ➔ Transparent electrolyser tube allows easy observation of electrodes and facilitates timely maintenance.
- ➔ PLC based control system provides fully automatic, reliable and safe operation.
- ➔ Safe system designs like continuous flow monitoring, active hydrogen ventilation, tank over fill protection and elimination of contacts with chemicals are key features of ChlorSys B Series.

### Atecpool ChlorSys - B Series System



Lagoons and large water bodies



Wastewater Disinfection



Food Processing



Oil Field Water Sterilization



Cooling Tower Water



Hospital Surface Disinfection

### Why switch to On-site Generator ?

- ➔ **Safety**  
Eliminate stored chlorine.  
Growing restrictions on chlorine transportation,  
Recognized as an "Inherently Safe Technology" (IST).
- ➔ **Community relations**  
No off-site consequences  
No worst-case emergency planning  
Reduced threat from accidents.
- ➔ **Cost effective**  
Stable cost of operation  
Salt, water and power
- ➔ **Solution Flexibility**  
Flexible production; generate only what you need  
Eliminates dependence on third party vendors  
Modular design facilitates future expansion

### Specifications B Series

ChlorSys Model No,	B-1,5	B-2	B-3	B-6	B-10	B-15	B-20	B-25	B-30	B-40	B-50
Rated Cl <sub>2</sub> Output (kg/hr)	1,5	2	3	6	10	15	20	25	30	40	50
Rated Cl <sub>2</sub> Output (kg/day)	36	48	72	144	240	360	480	600	720	960	1200
Electrolyser Anodes	Titanium Coated with Ti+Pt+Ir Mixed Metal Oxide (DSA)										
Electrolyser Cathodes	Titanium										
Expected Electrode Life	5 - 8 Years										
DC Power Consumption (kWh/kg Cl <sub>2</sub> )	3,4 - 4,2										
Sodium Hypochlorite Strength (g/l)	8										
Sodium Hypochlorite Strength (%)	0,8										
Sodium Hypochlorite Flow (l/hr)	188	313	375	750	1250	1875	2500	3125	3750	5000	6250
Saturated Brine Flow (l/hr)	19	31	38	75	125	188	250	313	375	500	625
Softened Water Flow (l/hr)	169	281	338	1125	1125	1688	2250	2813	3375	4500	5625
Dilute Brine Salinity (g/l)	28										
Salt Consumption/kg Chlorine (kg)	3,50										

Salt Water Electrolysis

Healthier Water



# Atecpool Invertek Salt Chlorinator

Inverter Salt Chlorinator



Saves Money



Certified Technology

INSPIRED  
ByWater

**ATECPOOL**  
BWT GROUP

# Atecpool Invertek

## SALT CHLORINATOR

### Atecpool Invertek Salt Chlorinator

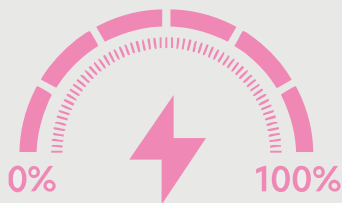
Invertek technology adopts an advanced PID algorithm for accurate control of chlorine production and pH regulation. With self-adaptation to different operating conditions and 100% powerful inverter, Invertek saves more time whether during initial disinfection or after heavy bather loads. It can also operate at a low salt level of 3g/L and keep crystal clear water without worries about frequent salt maintenance.

### Atecpool Invertek Specifications

- It has a 100% powerful inverter for fast disinfection in 24 hours.
- Good performance even low to 3g/L salt level.



### 0% - 100% Inverter operation

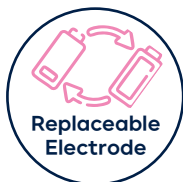


### Dynamic control

Embedded with dynamic inverter control, InverClear is intended to offer triple benefits beyond expectations. Running adaptively from 0% -100%, the new type features more durable cell life, absolute energy-saving operation, and lasting water quality.



Salinity Detection



Replaceable Electrode



Self Cleaning Cell



Embedded PH Adjuster



### Slimmest pad design

Inheriting the slimmest design, Atecpool delights you with space-saving installation and clear data reading about water quality and running capacity on its pad screen. The unique design of responsive indicator lights also helps you master the water state easily by colors.



### One-click APP control

One more pad screen to keep you well informed of the real-time water reports



Available at  
Playstore and  
Appstore



ORP/pH/Temp.  
Reading



Salinity  
Detection



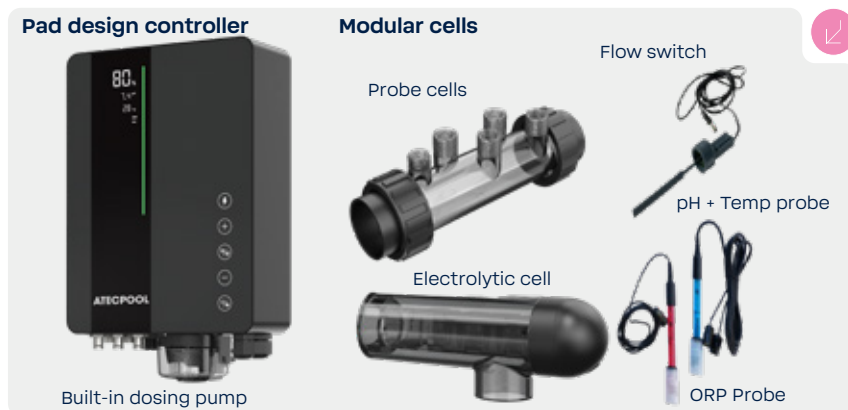
Logs Review



# Atecpool Invertek

## SALT CHLORINATOR

### Invertek Premium - Components



### Clear water quality

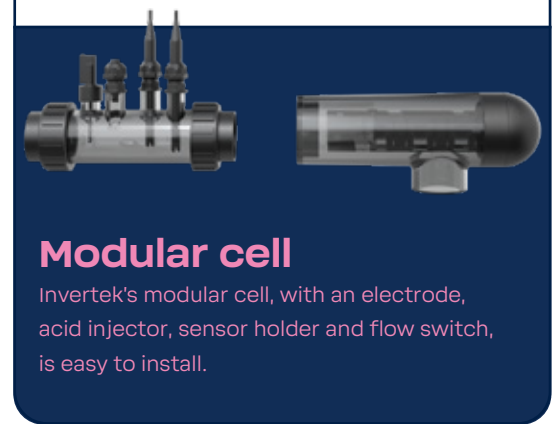
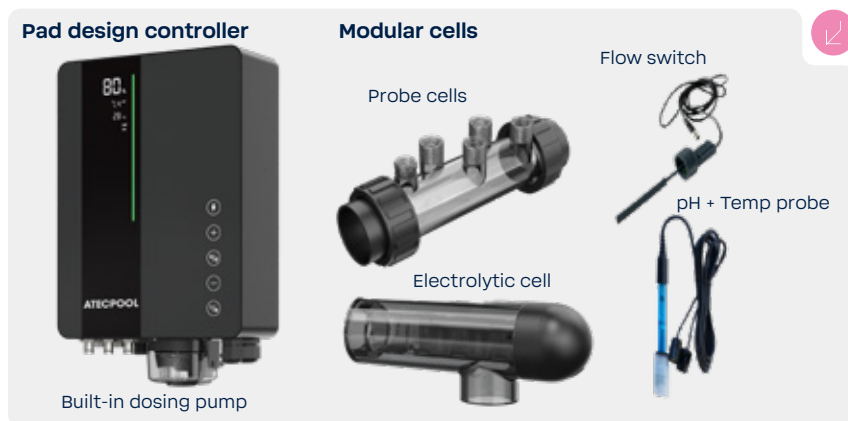
Intuitive indicator for pool status

Color display

Green: good water quality

Red: wait for disinfection

### Invertek Standard - Components



### Modular cell

Invertek's modular cell, with an electrode, acid injector, sensor holder and flow switch, is easy to install.

### Atecpool Invertek Specifications

Description	Specifications			
Model (Invertek Premium)	IKS10	IKS16	IKS22	IKS28
Model (Invertek Standard)	IKM10	IKM16	IKM22	IKM28
Production (g/h, 3000PPM)	10,0	16,0	22,0	28,0
Salt Level (g/L)	Titanium			
Technical specifications				
Advised pool volume* (m³)	15-45	25-65	35-75	45-100
Advised water flow (m³/h)	5~18			
Power Supply	100-240V 50/60Hz			
Power Consumption (W)	60	85	110	130
Operating Temperature (°C)	-5 ~ 42			
Salinity Test	Salt Level Detection (accuracy ±500PPM)			
Self-cleaning	Default 4h, 3 options in total (2/4/6h)			
pH Dosing Pump	Integrated			
Communications	MODBUS RS485 / Wi-Fi / Dry Contact			
Control Unit Dimension LxWxH (mm)	270 x 205 x 75			
Electrolysis cell				
Water connection (mm)	63			
Electrodes	Titanium plates			
Water Temperature (°C)	10 ~ 40			
Maximum Pressure	3,0 Bar for Probe Cell, 4,5 Bar for Electrolysis Cell			
Cell Life (h)	10000			

\*Water temperature no more than 28°C; At higher temperatures, reduce the volume by 25-40%

# Atecpool Salt Water Electrolysis

## AT-SERIES SALT CHLORINATOR

Support pools  
of volume  
50-350m<sup>3</sup>

### Atecpool AT-Series Salt Chlorinator

Atecpool domestic salt chlorinators are the best disinfection solution for small, medium and large pools or spas. These saline chlorinators ensure total water disinfection and an optimal chlorine supply for each installation. Choose the model of domestic saline chlorinator that best suits the characteristics of your pool.

All our household salt chlorinators have been designed with high quality materials. They have the latest technology, such as a self-cleaning cell and programmable configuration, to reduce its maintenance and increase its efficiency



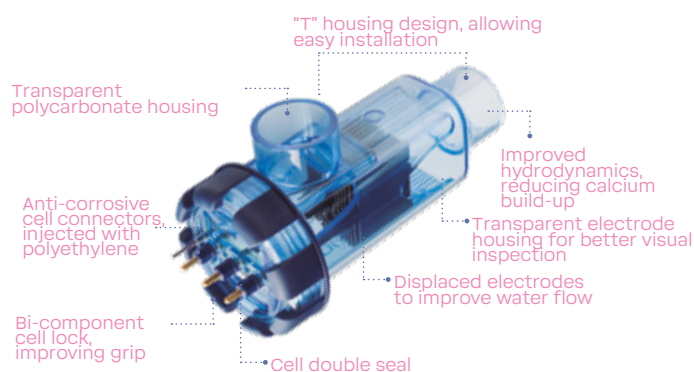
ATEC 30/40

ATEC 50



### AT-Series Specifications

- ➔ New sealed power supply of high performance
- ➔ Elimination of forced air ventilation: high resistance to corrosive atmospheres, notable decreases faults. IP65 rate
- ➔ New easy user interface with Backlit LCD display
- ➔ New wall mounting with independent stainless steel bracket
- ➔ Detachable lead plug that allows faster and easier technical service installation
- ➔ Self-cleaning cell
- ➔ Cell connection without nuts, using thermo rubber waterproof connector



### AT-Series Technical Data

Model	ATEC30	ATEC40	ATEC50	ATEC100 Twinbox
Cl <sub>2</sub> production (g/h)	30	40	50	100
Max.pool m <sup>3</sup> T < 25°C	140	180	200	350
Max.pool m <sup>3</sup> T > 25°C	90	150	160	250
Max. output voltage (VDC)	24	24	24	24x2
Max. output current (A)	5,0	6,0	7,5	9x2
Power supply (V AC)	230	230	230	230
Max. input power (W)	130	170	190	185x2
Cell reversal polarity	Programmable			
Salt concentration (g/l)	4 - Sea water			
Electrode quality	10K Premium Grade			
Minimum flow (m <sup>3</sup> /hour)	6	6	10	10
Maximum pressure (bar)	1,5	1,5	1,5	1,5
Cell tube (mm)	50	50	63	63
Weight (kg)	5	5	10	13
Control board dimensions (cm)	27x22x8,6			
Cell dimensions (cm)	24x10,4	24x10,4	43,8x14	2x (43,8x14)

# Atecpool Salt Water Electrolysis

## pH CONTROL AND DOSING

### Atecpool pH Basic

Atecpool pH Basic system allows you to measure the pH of the pool and correct it by injecting acid using a metering pump. It is composed of a control unit that measures pH and contains the control software and an integrated acid metering pump. To account for measurement delays and avoid excessive dosing, the pump operates in alternating cycles of pause and run of 100 seconds when you have to inject acid. All control and measurement functions are performed on the controller and are configured using an LCD screen, a 4-key keyboard and a simple menu system.



ATEC-PH001

### Specifications

- Peristaltic pump head easy to disassemble and replace
- Stand by: alarm display due to no flow in probe-holder
- Included: Dosing Pump 1,5l/h @ 1.5 Bar w/ pH electrode, probe holder, calibration Solution for pH and Fixing Brackets
- Connection and installation kit
- Dimensions: 218 x 125 x 95 mm
- Input: 100-220 V AC +10%
- Power 5 W

Code	Description
ATEC-PH001	Ph Basic Dosing Pump 1,5l/h @ 1.5 Bar

### Sacrificial Anode - Protective barrier against electrolytic corrosion

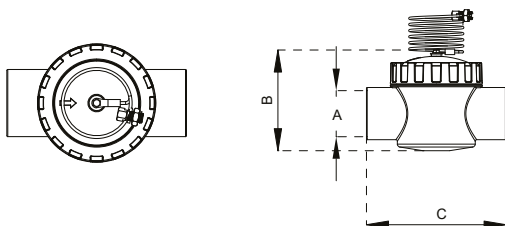
Recommended to be used with salt chlorinators, this zinc sacrificial anode protects pool equipment from electrolytic corrosion. It acts as a protective barrier for metal components such as stainless steel ladders, heat pumps and exchangers, UV-C stainless steel casings, lighting niches and face rings, aluminum pump motor housings and titanium cell plates in salt chlorinators. For optimal performance, the anode should be replaced once approximately 50% of the material has eroded, typically after around three years of use.



### Specifications

- Easy installation design by adding inline to existing 63mm / 2" piping system
- Excellent electric shock prevention in fiberglass pools
- 4 Bar working pressure
- Long life pure zinc alloy anode
- 1m 8 AWG solid copper wire and transparent lid for inspection

Code	Housing Material	Connection	Dimensions (mm)		
			A	B	C
ATSA-6001	ABS	63mm	Ø63	129	190
ATSA-6023	ABS	2"	Ø60	129	190



# Atecpool Commercial Salt Chlorinator

## SELECTION GUIDE

### Commercial Pool Salt Chlorinator Selection Guide

Follow the below table to ensure a proper performance of commercial Salt Chlorinators in public swimming pools.



Water Volume >	100m³	200m³	400m³	500m³	750m³	1000m³	1500m³
Bathers per day							
50	ATEC75PR ATEC50PR	ATEC100PR ATEC75PR	ATEC150PR ATEC150PR	ATEC150PR ATEC150PR	ATEC250CM ATEC250CM	ATEC300CM ATEC300CM	ATEC500CM ATEC500CM
100	ATEC100PR ATEC75PR	ATEC150PR ATEC100PR	ATEC150PR ATEC100PR	ATEC250CM ATEC180PR	ATEC300CM ATEC250CM		
200	ATEC150PR ATEC100PR	ATEC250CM ATEC180PR	ATEC250CM ATEC180PR	ATEC300CM ATEC250CM	ATEC500CM ATEC300CM	ATEC500CM ATEC500CM	ATEC750CM ATEC500CM
300			ATEC300CM ATEC180PR		ATEC500CM ATEC300CM		
400				ATEC500CM ATEC250CM			
500						ATEC750CM ATEC500CM	ATEC1000CM ATEC500CM

Note:

\* Recommended model for 12h filtration

\* Recommended model for 24h filtration

### Calculation parameters

For a more accurate and tailored selection of salt chlorinators, please consider additional parameters beyond the standard selection guide. These include factors such as added features, pool location (e.g., seaside, indoor, heated, or outdoor), and water type (e.g., seawater or well water). Providing this information will assist our sales support team in recommending the most suitable unit for your specific application.

# Salt Water Electrolysis

## ATECPOOL PREMIUM SALT CHLORINATOR

### Premium Salt Water Chlorinator



### Specifications

- High performance electrochlorinators for intensive commercial application (residential and hotel pools)
- Waterproof high power performance switch modes, without forced ventilation.
- Electronics inside 316 stainless steel insulated cabinet, without air external ventilation, highly resistant to corrosive atmospheres. IP-65.
- Electronic current control.
- Fully programmable electronics with an accessible operation registry.
- Low maintenance self-cleaning cell easily accessible.
- New easy user interface with backlit LCD display.
- Extended salinity range: 500 - 35.000 ppm (sea water).
- Methacrylate electrodes cassette to ease inspection.
- Self cleaning cell easily accessible and of a low maintenance.
- Expected electrode life: 14.000 hours.
- Flow switch.

Model	ATEC75PR	ATEC100PR	ATEC150PR	ATEC180PR
Power requirements / Watts	220~240 V AC / 400 Watts	220~240 V AC / 500 Watts	220~240 V AC / 725 Watts	220~240 V AC / 750 Watts
Voltage output	24 VDC	24 VDC	24 VDC	24 VDC
Chlorine production per hour (5g/l salt)	75 gr/h	100 gr/h	150gr/h	180gr/h
Cell expected life span	14.000 h			
Minimum flow	10 m³/h	10 m³/h	10 m³/h	10 m³/h
Connections	63 mm	63 mm	63 mm	63 mm
Weight	15 kg	20 kg	25 kg	28,5 kg
Pallet Packaging dimensions	790 x 650 x 410 mm			

100  
m<sup>3</sup>

↔

500  
m<sup>3</sup>

14.000 hr

- High performance
- Easy installation
- Easy to use

# Salt Water Electrolysis

## ATECPOOL COMMERCIAL SALT CHLORINATOR

### Commercial Salt Water Chlorinator



### Specifications

- High performance electrochlorinators for intensive commercial application and high capacity (public installations)
- Waterproof high power performance switch modes, without forced ventilation
- Electronics in 316 stainless steel insulated cabinet without air external ventilation, highly resistant to corrosive atmospheres. IP-65
- Electronic current control
- Temperature and waterflow control
- Prepared for industrial control by CAN or Profibus
- Extended salinity range: 500 - 35.000 ppm (seawater)
- Compact mounting design with integrated cell and housing
- Methacrylate electrodes cassette to ease inspection
- Low maintenance reverse polarity cell is easily accessible
- Electrodes of a low current density and long life: 14.000 hours
- Flow switch
- Expected electrode life: 14.000 hours

Model	ATEC250CM	ATEC300CM	ATEC500CM	ATEC750CM	ATEC1000CM
Power requirements / Watts	230 V AC / 1,120 Watts	230 V AC / 1,340 Watts	230 V AC / 2,240 Watts	230 V AC / 3,360 Watts	230 V AC / 4,450 Watts
Voltage output	24 VDC	24 VDC	24 VDC	24 VDC	24 VDC
Chlorine production per hour (5g/l salt)	250 gr/h	300 gr/h	500gr/h	750gr/h	1000gr/h
Cell expected life span	14.000 h				
Minimum flow	15 m³/h	15 m³/h	30 m³/h	45 m³/h	60 m³/h
Connections	63 mm	63 mm	75 mm	90 mm	110 mm
Weight	130 kg	140 kg	150 kg	180 kg	200 kg
Packaging dimensions	900 x 605 x 1155 mm		1150 x 610 x 1155 mm	1185 x 985 x 1130 mm	

200 m³ ↔ 1500 m³

14.000<sub>hr</sub>

- High performance
- Easy installation
- Easy to use

Salt Water Electrolysis

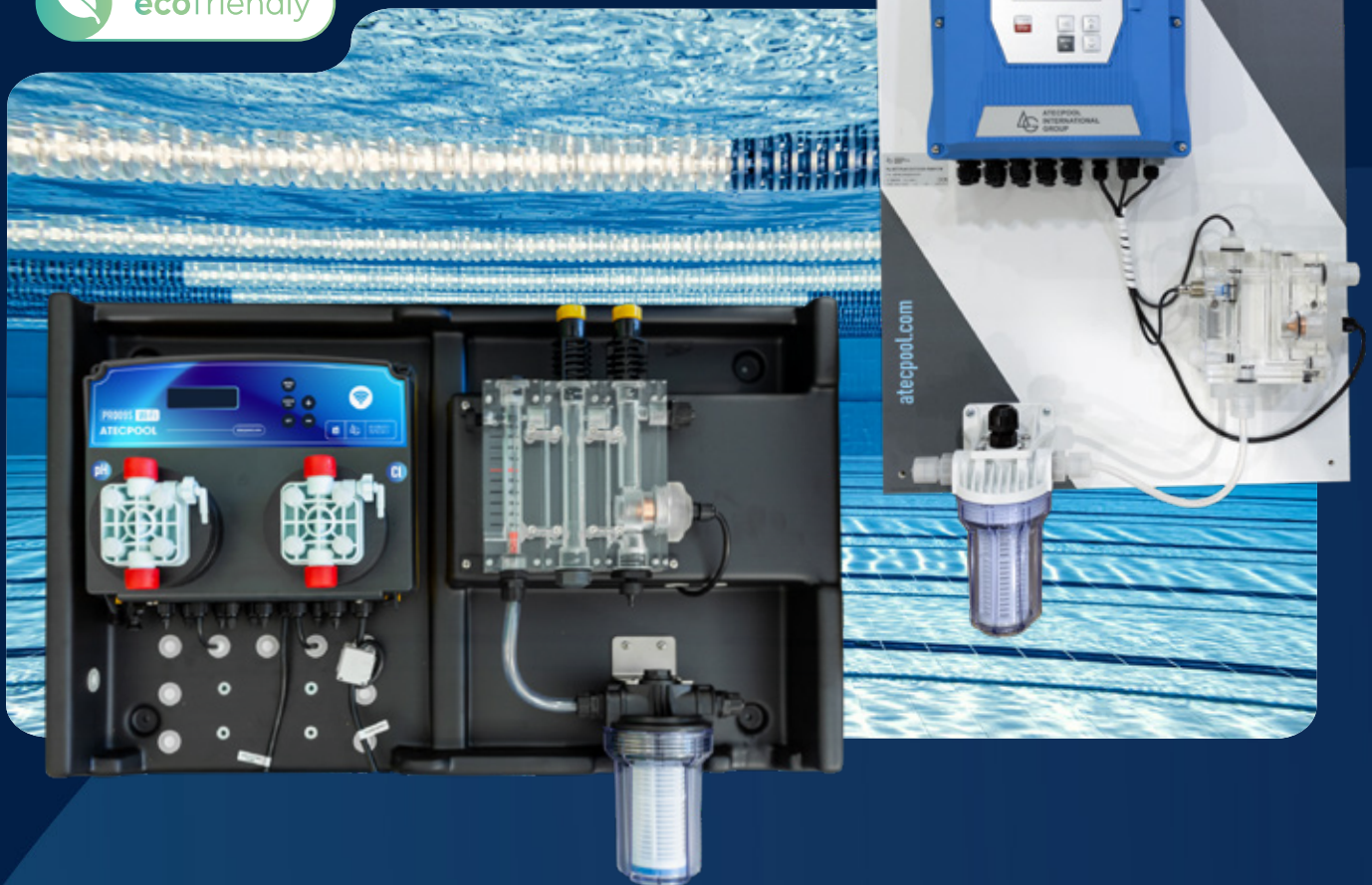
Healthier Water



# Atecpool Chemical Regulation and Control

Integrated Pre-Assembled Panels for Automation

 ecofriendly



INSPIRED  
ByWater

**ATECPOOL**  
BWT GROUP

# Atecpool PR-007S

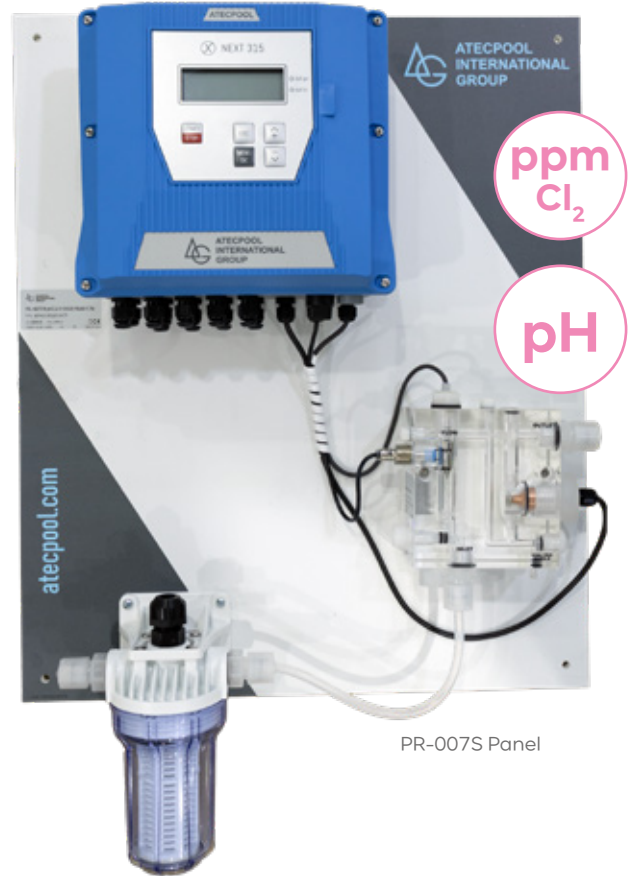
## INTEGRATED PRE-ASSEMBLED PANELS FOR AUTOMATION

### Atecpool PR-007S Specifications

- pH / Cl control able to handle 1 digital output (suitable to water meter impulses), 2 relay outputs, and 2 (4-20 mA) outputs.
- "Pump Stop" safety system.
- Electronic dosing control.
- Probe holder panel with pre-filter, inductive low detector and flow regulator.
- Cl (ppm) monitoring by amperometric cell with Cu electrode (PR-007S Panel).

### Specifications

- Multilanguage interface
- pH Range- Range 0.00 ... 14.00 pH; input impedance > 10<sup>12</sup> Ohm.
- Cl<sub>2</sub> Range- input for CLE11 amperometric cell Range 0 ... 10.00 ppm Cl<sub>2</sub>
- Outputs for driving two dosing pumps in On-Off (230V or 115V outputs) or PFM (pulse signal) mode
- FLOW input to monitor the water flow to the sensors
- EXT.CON.S. input for external consent signal
- Two LEV (level) inputs for controlling the level of reagents to be dosed
- Optional RS232C serial port, for communication with a supervisor
- Configurable maintenance schedule
- Alarms and errors (diagnostic) directly shown on display
- Configuration and calibration data stored in the non-volatile memory for at least 10 years



PR-007S Panel

### PR-007S Panel for Automation

Model	PR-007S
Description	Automatic dosing control panel assembly
Power supply	230 V AC, 50/60 Hz, 5 VA
Readings	pH / Cl <sub>2</sub> (ppm)

### Components Included

- 315 digital controller - 315 digital controller is an electronic unit especially designed for the analysis and control of the main parameters in pool plants.
- CLE11 cell - Open amperometric cells for measurements of free chlorine, chlorine dioxide and bromine.
- pH electrode - EURO2000®-pH Series. Models with plastic shaft and fixed cable.
- Mesh filter cartridge - 1x SF17 flow through electrode holder, with washable 80 m mesh filter cartridge.



315 Digital Controller



pH electrode



CLE 11 cell



Mesh filter cartridge

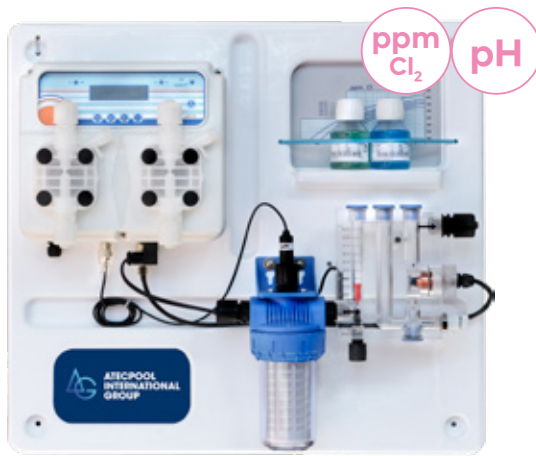
# Atecpool PR-009 Series

## INTEGRATED PANELS WITH INBUILT DOSING PUMPS

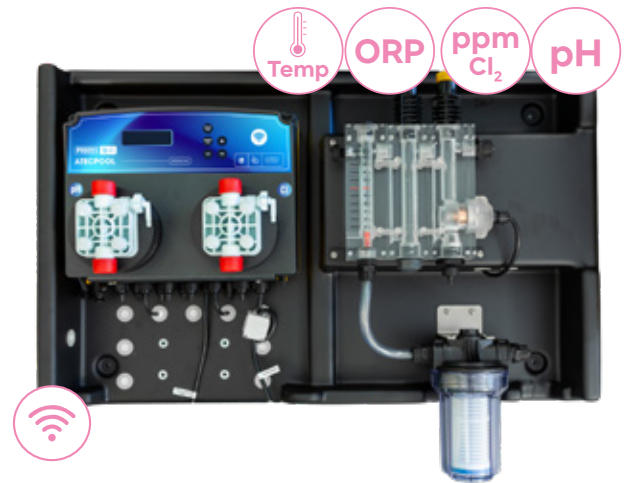
### Automatic Chemical Regulation and Control Specifications

- Dual Dosing Panel PH/Chlorine dosing system with built in controller with PPM display
- 3 operating modes: constant, ON / OFF, proportional
- Electronic dosing control
- Probe holder panel with pre-filter, inductive low detector and flow regulator.
- Cl (ppm) monitoring by CLC2 amperometric CL cell (PR-009 Panel) and by CLE11 amperometric cell with Cu electrode (PR-009S Panel).
- PR-009S is Wi-Fi enabled

PR-009 Panel (CLC2 Amperometric CL Cell)



PR-009S Panel (CLE11 Amperometric CL Cell)



### Technical Data

Model	PR-009	PR-009S
Input voltage	230 V AC, 50/60 Hz	220-240 V AC, 50/60 Hz
Pump Head	PVDF	PVDF
Readings	pH / Cl <sub>2</sub> (ppm)	pH / Cl <sub>2</sub> (ppm)/ORP/Temp.
Range Cl <sub>2</sub> (ppm)	0.20 - 10.0 ppm	0-10 ppm
Range pH	0-14pH	0-14pH
Pressure	5 bar	5 bar
Flow rate	5 l/h	5 l/h
Cl electrode	Copper / Platinum	Copper / Platinum
Temperature	5 ~ 40°C	5 ~ 40°C
Dimensions	H:500 x W:550x D:147,6 mm	H:243 x W:286 x D:152 mm

### Specifications - Inbuilt Dosing Pumps

Model		PR-009		PR-009S	
Standard		Chlorine pump	pH Pump	Chlorine pump	pH Pump
Pressure	Bar	5	5	5	5
Max. Flow	l/h	5	5	5	5
Pump dosing frequency	Strokes per min.	150	150	160	160
Solenoid		Ø80	Ø80	Ø80	Ø80

# Atecpool Evolution Dosing Control

## RS485 WITH MODBUS RTU

### Atecpool Evolution dosing control



Atecpool Evolution control have been especially designed for swimming pool applications that need connectivity with BMS or home automation systems. They allow to analyse and adjust the pH and chlorine levels, with two additional outputs, which can be used to drive pumps for the dosage of flocculant and anti-algae products.

Model	PR-007PRO
Description	Automatic dosing control w/ MODBUS RTU
Power supply	100~240 V AC, 50/60 Hz., 15W
Readings	pH / Cl <sub>2</sub> (ppm)/ORP/Temp

### Technical Data

Data	PR-007PRO
M1 measurement input	pH: Electrode input on BNC connector; range: 0.00 ...14.00 pH
M2 measurement input	ORP: Electrode input on BNC connector; range: -2000 ... +2000 mV CLE: Open amperometric cell; input on terminal block; range: 0 ... 10.00 ppm Cl (Br) CAC: Closed probe with membrane, mV or mA signal (depending on model); input on terminal block; ppm range, depending on used probe
Temperature input	for PT100 / PT1000 sensor, with automatic detection of sensor type; input on terminal block
Adjustment outputs	2x 230V~ (*), for On-Off / PWM control mode 2x contact type, 5A a 250V~, for On-Off / PWM control mode 2x pulse, max 3 Hz, for PFM control mode 1x flocculant dosing pump, 230V~ (*), timed operation 1x anti-alga dosing pump, 230V~ (*), timed operation
Alarm relay	1x contact type, normally energized / de-energized, 10A a 250V~
Digital inputs	2x NO/NC contact, for level sensors of acid (pH) + chlorine tanks 1x EXT.CONTS, contact type, NO/NC, for external consent / pause signal 1x sample water flow, NO/NC contact, for NPN proximity sensor 1x Eco Mode, NO/NC contact
Communication	Front USB port, protected by a watertight cover; for parameters uploading / saving, datalogger downloading and FW updating.
Protection degree	IP65
Dimensions	250 x 231 x 101 mm (cable-glands not included)
Weight	Approx. 1 kg

### Specifications

- Communication options: RS485 serial port with Modbus RTU protocol
- Two measurement inputs for pH electrode / ORP electrode / amperometric sensor
- Temperature input for sensor, with automatic detection of sensor type
- Three-level configuration, protected by three different passwords
- Adjustment outputs at 230V, contact type or pulse to drive two dosing pumps or other dosing device, configurable by the user for On-Off or proportional (PWM / PFM) operation mode
- Two analog outputs (0/4-20 mA), configurable for control or signal repetition
- Two inputs for level sensor, configurable at one or two steps
- Sample water flow control input
- Digital pause input to disable all outputs
- Two outputs to drive flocculant and anti-algae dosing pumps
- "EcoMode" function for dosage reduction and consequent chemicals savings, which can be activated by external contact or timer
- Inbuilt RTC with 25 configuration steps (each one including switch on / shutdown times setting linkable to specific actions and days of the week)
- Easily accessible USB port, protected by a watertight cover; can be used for configuration of parameters, data downloading and system updating

# Automatic Chemical Regulation and Control

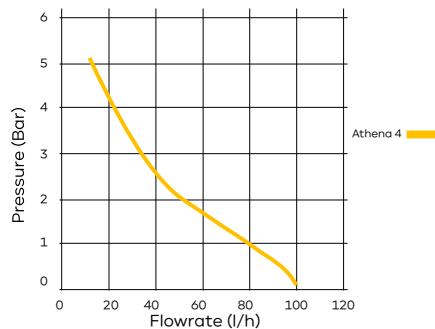
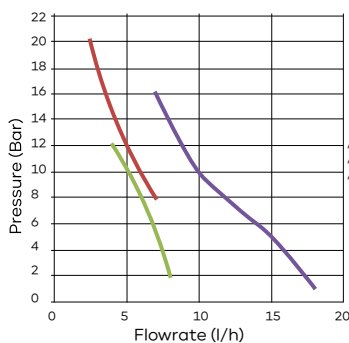
## pH/ORP MEASUREMENT AND CONTROLLING DEVICE

### Atecpool Athena Electromagnetic Dosing Pump with built in pH/ORP controller

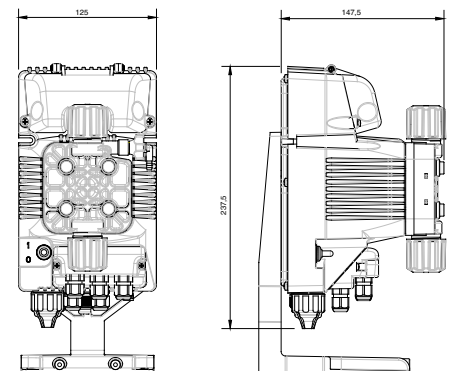
- PVDF pump head suitable for chemicals used in the Industrial applications, waste water treatment and potable water applications.
- Glass-fiber reinforced polypropylene case, fireproof and acid-resistant
- Ceramic ball full chemical compatibility
- PTFE diaphragm with long service life and high chemical compatibility.
- Steady dosing
- Stabilized Multi Power Supply 100-240 V AC, 50/60 Hz with reduced consumption
- Quick connections; Manual priming valve
- IP65 protection
- Adjustable flow rate
- Power-ON and Level Alarms LED
- Digital proportional flow pump supplied with pH/Rx electrodes.
- Measuring range: pH 0....14 - Rx 0....999 mV
- Base support as optional
- 4-20 mA output on all the recording scale
- Manual / automatic calibration with probe efficiency evaluation
- Anti-seepage system



### Flow rate and Pressure Graph



### Dimensions



### Athena PR Dosing Pump Technical Data

Model	Code	Flow Rate	Pressure	C.C/IMP.	Connection	Strokes/Min.	Consumption	Weight
Athena 1	610-030	2,5 l/h	20 bar	0,35	4x6 – 4x7	120	14 watt	3 kg
		3 l/h	18 bar	0,42	4x6 – 4x7	120	14 watt	3 kg
		4,2 l/h	14 bar	0,58	4x6 – 4x7	120	14 watt	3 kg
		7 l/h	8 bar	0,97	4x6 – 4x7	120	14 watt	3 kg
Athena 2	620-030	3 l/h	12 bar	0,31	4x6	160	20 watt	3 kg
		4 l/h	10 bar	0,42	4x6	160	20 watt	3 kg
		5 l/h	8 bar	0,52	4x6	160	20 watt	3 kg
		8 l/h	5 bar	0,83	4x6	160	20 watt	3 kg
Athena 3	630-100	7 l/h	16 bar	0,39	4x6	300	40 watt	4 kg
		10 l/h	10 bar	0,56	4x6	300	40 watt	4 kg
		15 l/h	5 bar	0,83	4x6	300	40 watt	4 kg
		18 l/h	1 bar	1,00	4x6	300	40 watt	4 kg
Athena 4	640-200	20 l/h	5 bar	1,11	8x12	300	40 watt	4 kg
		32 l/h	4 bar	1,78	8x12	300	40 watt	4 kg
		62 l/h	2 bar	3,44	8x12	300	40 watt	4 kg
		110 l/h	0,1 bar	6,11	8x12	300	40 watt	4 kg

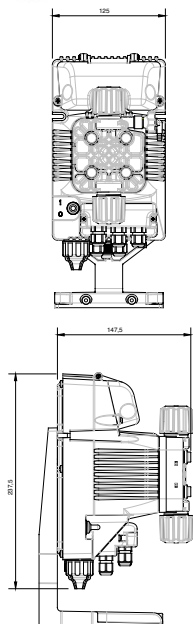
# Manual Dosing Pumps

## HERA AND OLYMPIA

### Atecpool Hera Electromagnetic Dosing Pump



- ➔ PVDF pump head suitable for chemical used in waste water treatment and pools.
- ➔ PTFE diaphragm unique life expectancy and compatibility with most chemicals.
- ➔ Steady dosing Stabilized Multi Power Supply 100-240 V AC 50/60 Hz with reduced consumption.
- ➔ Quick connections; Manual priming valve. IP65 protection
- ➔ Adjustable flow rate by buttons on the front panel. Power-on and level alarms LED.
- ➔ Analogue with constant flow 0-20%, 0-100% double manual flow regulation
- ➔ Level probe predisposition with quick connection
- ➔ Base support as optional
- ➔ Anti-seepage system



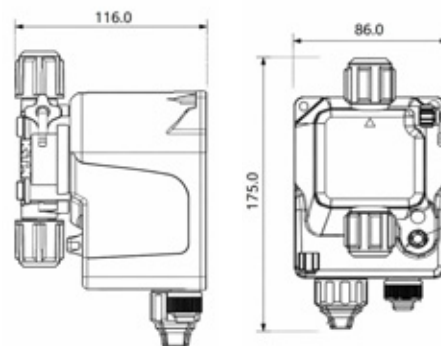
Model	Code	Flow Rate	Pressure	C.C./IMP.	Connection	Strokes/Min.	Power	Weight
Hera L	310-080	0,4 l/h	20 bar	0,06	4x6 - 4x7	120	14 W	3 kg
		0,8 l/h	16 bar	0,11	4x6 - 4x7	120	14 W	3 kg
		1,2 l/h	10 bar	0,16	4x6 - 4x7	120	14 W	3 kg
		1,5 l/h	6 bar	0,21	4x6 - 4x7	120	14 W	3 kg
Hera 1	320-030	2,5 l/h	20 bar	0,35	4x6 - 4x7	120	14 W	3 kg
		3 l/h	18 bar	0,42	4x6 - 4x7	120	14 W	3 kg
		4,2 l/h	14 bar	0,58	4x6 - 4x7	120	14 W	3 kg
		7 l/h	8 bar	0,97	4x6 - 4x7	120	14 W	3 kg
Hera 2	330-050	3 l/h	12 bar	0,31	4x6	160	20 W	3 kg
		4 l/h	10 bar	0,42	4x6	160	20 W	3 kg
		5 l/h	8 bar	0,52	4x6	160	20 W	3 kg
		8 l/h	2 bar	0,83	4x6	160	20 W	3 kg
Hera 3	310-100	7 l/h	16 bar	0,39	4x6	300	40 W	4 kg
		10 l/h	10 bar	0,56	4x6	300	40 W	4 kg
		15 l/h	5 bar	0,83	4x6	300	40 W	4 kg
		18 l/h	1 bar	1,00	4x6	300	40 W	4 kg
Hera 4	310-320	20 l/h	5 bar	1,11	8x12	300	40 W	4 kg
		32 l/h	4 bar	1,78	8x12	300	40 W	4 kg
		62 l/h	2 bar	3,44	8x12	300	40 W	4 kg
		110 l/h	0,1 bar	6,11	8x12	300	40 W	4 kg

### Atecpool Olympia Solenoid Dosing Pump



- ➔ Pump head: PVDF-C
- ➔ Diaphragm: PTFE
- ➔ Flow rates: from 0.6 to 5 l/h
- ➔ Max Pressure: up to 7 bar (101.5 psi)
- ➔ Power supply: 230V AC 50/60 Hz
- ➔ 24V AC available upon request
- ➔ Stroke rate: from 20 up to 160 strokes/minute
- ➔ External Enclosure: PP + fiber glass
- ➔ Protection degree: IP65
- ➔ Floating level probe with bipolar 2m cable with support

#### Dimensions



Code	Flow Rate	Pressures	CC/Imp.	Connections	Strokes/Min.	Dimensions	Weight	Absorption	Power Supply
	l/h	bar				mm	Kg	W	
210-220	0.6	7	0.1	4x6	100	175 x 86 x 116	1.5	14	110-240V AC
210-320	2	7	0.33	4x6	100	175 x 86 x 116	1.5	14	110-240V AC
210-420	5	5	0.52	4x6	160	175 x 86 x 116	1.5	14	110-240V AC

# Manual Dosing Pumps

## SOLENOID DRIVEN

### Analogue Solenoid Driven Dosing Pump- Commercial Pools



- Adjustable stroke rate via the potentiometer.
- 95-260 V AC working range and solenoid driven technology that can do automatic adaptation accordingly to line voltage.
- Vertical mount design and alternative mounting advantage by base fixing bracket.
- High resistance to corrosive chemicals with PVDF Pump IP65 body.
- Electronic circuit controlled electromagnet and long lasting Teflon (PTFE) diaphragm
- Lesser maintenance by ceramic ball design Suction and injection parts included.
- Double liquid level control input
- 1/10 Adjustment Button

Code	Model	Description	Frequency
510 525	ATEC - PVDF 25L / 5B	25 Ltr / 5 Bar Level Controlled and 1/10 Adjustable Analogue Dosing Pump	160 imp / min
510 530	ATEC - PVDF 30L / 3B	30 Ltr / 3 Bar Level Controlled and 1/10 Adjustable Analogue Dosing Pump	160 imp / min
510 535	ATEC - PVDF 35L / 2B	35 Ltr / 2 Bar Level Controlled and 1/10 Adjustable Analogue Dosing Pump	160 imp / min
510 540	ATEC - PVDF 40L / 1B	40 Ltr / 1 Bar Level Controlled and 1/10 Adjustable Analogue Dosing Pump	160 imp / min

### Analogue Liquid Level Controlled and 1/10 Adjusted Dosing Pump



- Adjustable stroke rate via the potentiometer on the device.
- Liquid level control and 1/10 adjustable button.
- High resistance to corrosive chemicals with PVDF Pump IP65 body.
- Electronic circuit controlled electromagnet and long lasting Teflon (PTFE) diaphragm.
- Less maintenance with ceramic ball design.
- Suction and injection parts included.

Code	Model	Description	Frequency
210 402	ATEC - APS 2L / 10LB	2 Ltr / 10 Bar Level Controlled and 1 / 10 Adjustable Analogue Dosing Pump	120 imp / min
210 405	ATEC - APS 5L / 7B	5 Ltr / 7 Bar Level Controlled and 1 / 10 Adjustable Analogue Dosing Pump	120 imp / min
210 410	ATEC - APS 10L / 5B	10 Ltr / 5 Bar Level Controlled and 1 / 10 Adjustable Analogue Dosing Pump	120 imp / min
210 412	ATEC - APS 2L / 20B	2 Ltr / 20 Bar Level Controlled and 1 / 10 Adjustable Analogue Dosing Pump	120 imp / min

### Peristaltic Analog Dosing Pump



- Variable flow/speed 10-100%
- Biwall peristaltic tube with silicone outer and PTFE (Teflon) inner layer for spa, steam aroma dosing with high chemical resistance
- Wall mounting with fast-coupling bracket
- Fire resistant IP65 enclosure
- Suitable for viscous liquids

Code	Flow rates	Pressures	Power Supply	Dimensions	Weight
	l/h	bar		mm	kg
101-120	0,4 - 4	1	100~240 V AC	112x90x90	0,6

# Motor Driven Dosing Pumps

## ELECTROMECHANICAL DOSING PUMPS



### Atecpool Taurus Dosing Pumps

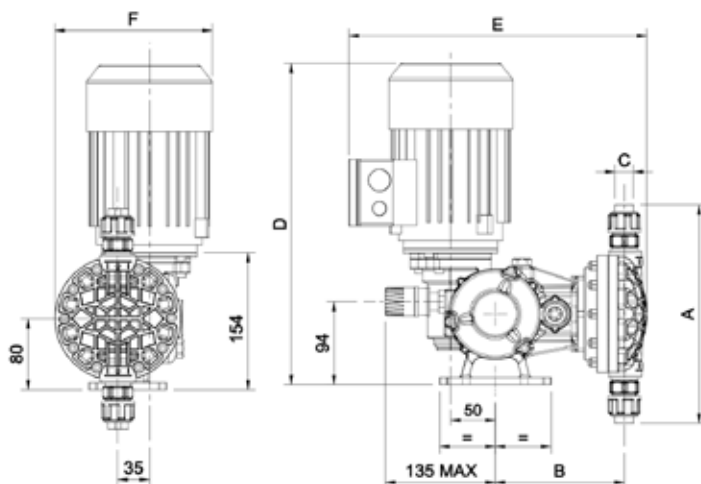
- Mechanical diaphragm metering pumps featuring a spring return mechanism, and with an aluminium housing.
- Each pump is equipped with manual flow adjustment and can be equipped with an electric actuator which accepts a 4-20 mA or inverter.

### Taurus Diaphragm Pump Specifications

- Maximum flow rate upto 500 l/h
- 3 Phase 4-pole electric motor with IP55 protection
- Low noise operation
- Stroke length: 2-4-6 mm
- PVDF pump head
- Insulation class: F

Model	Ø Diaphragm	Stroke length	Strokes/min	Flow rate	Pressure	Connection	Weight	Motor
	mm	mm		l/h	bar	inch	kg	
TM02094A	94 mm	2 mm	58	20 l/h	10 bar	3/8"	8,4 Kg	3 phase 4P 0,18 kW
TM02094B	94 mm	2mm	78	26 l/h	10 bar	3/8"	8,4 Kg	
TM02094C	94 mm	2 mm	116	40 l/h	10 bar	3/8"	8,4 Kg	
TM04108A	108 mm	4 mm	58	60 l/h	10 bar	3/8"	10,1 Kg	3 phase 4P 0,18 kW
TM04108B	108 mm	4 mm	78	80 l/h	10 bar	3/8"	10,1 kg	
TM04108C	108 mm	4 mm	116	120 l/h	10 bar	3/8"	10,1 Kg	
TM06138A	138 mm	6 mm	58	155 l/h	7 bar	3/4"	12,3 Kg	3 phase 4P 0,37 kW
TM06138B	138 mm	6 mm	78	220 l/h	7 bar	3/4"	12,3 kg	
TM06138C	138 mm	6 mm	116	310 l/h	7 bar	1"	12,3 Kg	
TM06165A	165 mm	6 mm	58	230 l/h	5 bar	1"	13,2 Kg	
TM06165B	165 mm	6 mm	78	330 l/h	5 bar	1"	13,2 kg	
TM06165C	165 mm	6 mm	116	500 l/h	3 bar	1"	13,2 Kg	

### Atecpool Taurus Dimensions



Diaphragm	A (mm)	B (mm)	C(BSP)	D (mm)	E (mm)	F (mm)
94 mm	242	144	3/8"	371	340	168
108 mm	250	147	3/8"	371	343	177
138 mm	347	159	3/4" - 1"	371	364	189
165 mm	375	172	1"	371	372	214

# Automatic Chemical Regulation and Control

## ACCESSORIES

### CLE11 Amperometric Chlorine Cell for measuring Free CL (PPM)

CLE11 are two-electrode (platinum / copper), open amperometric cells, which allow to measure the concentration of free chlorine, chlorine dioxide and bromine in water. The electrode group is assembled in a own flow probe-holder with flow regulator and housings for the installation of a temperature sensor and a flow sensor.



CLE11

#### Specifications

- Measurement Range: 0.00 ... 10.00 ppm
- Electrodes: platinum (Cu/Pt).
- Copper Anti-passivation automatic system, through small glass balls.
- Flow Rate: 40 ... 50 l/h (recommended)
- Pressure min: 0.5 bar, max 3 bar
- Electrical Connection: 2-pole cable, 0.5mm<sup>2</sup> wires, standard length 1 m.
- Environment: Working temperature: 0 ... 40 °C, Storage temperature: -10 ... 60 °C
- Dimensions approx. 230 x 155 x 50 mm (CLE12) / 170 x 155 x 50 (CLE11)

Code	Description
CLE11	Amperometric Chlorine Cell PPM CLE11

### Cleaning KIT for CLE11 Amperometric Cell

Solution for good maintenance of CLE11



MAINT-KIT



ATECPOOL suggest a simple solution for maintenance for the oxidation of platinum and copper electrodes, especially if in contact with substances which quickly deteriorate the electrodes thus interfering with measurements and optimal functioning. The operator, must simply let the peristaltic inject acid for 2/3 minutes (commercial HCL around 10% concentration) or at least a simple detergent. This until copper electrode is restored to natural colour.

Code	Description
MAINT-KIT	Cleaning Kit for CLE11 Cell

### CLS2-1H Membrane ION Selective Sensor for measuring Free CL (PPM)

Membrane ion selective amperometric 3 electrodes system, integrated electronics for measuring Free Chlorine, compatible with Surfactants, Tensides, Isocyanuratic, Flocculants. CLO<sub>2</sub> is measured at 100%



CLS2-1H

Code	Description
CLS2-1H	Membrane ION Selective Sensor PPM CLS2-1H

Specifications	CLS2-1H
Indicator	Total Chlorine = free chlorine + combined chlorine
Measuring Method	Membrane ion selective amperometric 3 electrodes system, Integrated electronics
Suitable Chlorinating Agents	NaOCl (sodium hypochlorite); Ca (OCl) <sub>2</sub> (calcium hypochlorite); chlorine gas;
Electrolytically generated chlorine	Electrolytically generated chlorine
Interference Parameters	ClO <sub>2</sub> measured at 100% / O <sub>3</sub> measured with slope approx.130%(factor 1,3 to Cl slope)
Range	0.005 ..... 2 ppm (mg/L) free chlorine
Resolution	0.001 ppm (mg/L)
Signal (nominal slope)	-1000 mV/ppm
Power Supply	+5 to +12,5 Vdc / 10 – 25 Vdc 25mA
Output signal	Analog voltage output 0 ... - 2000 mV/Output resistance 1 KΩ /NO galvanic isolation
Operating temperature:	> 5 ... < 45°C, automatic compensation by integrated resistor
pH range	pH 4÷pH 12 (low pH dependency, linear decrease approx.5% per unit increase pH)
Flow rate / Pressure	Approximately 30 l/h / 0,5 bar, no sudden pressure, impulses and/or fluctuations
Run-in time / Response	First start-up approx. 2 hours / T90 approx.2 min
Slope adjustment	Reference method DPD4 (DPD1+DPD3); Zero point calibration NOT necessary
Connection	4 poles screwable plug (NOT provided with cable, see cable for CLS sensors)
Material	Microporous hydrophilic membrane; PVC-U body, S.S 1.4571 electro polished
Dimensions	Diameter approx 25 mm / Length (analog sensor) approximately 175 mm

# Automatic Chemical Regulation and Control

## ACCESSORIES

### EPH / ERX Electrodes for measuring pH and RX



EPH5 ERX5

pH / RX Sensor Electrode	EPH5 / ERX5
<b>Applications</b>	Swimming pools, Water treatment, Process industry, Laboratory
<b>Characteristics</b>	Maintenance free sensors for measuring pH and RX (ORP) value
<b>Measuring Method</b>	Combination electrode, Potential against reference electrolyte gel
<b>Construction</b>	Plastic shaft, 1 diaphragm, Maintenance free gel electrolyte
<b>Reference system</b>	Double junction reference
<b>Storage</b>	Recommended storage solution KCL3 (inquire for it)
<b>Electrical connector</b>	Head with fixed coaxial cable D/3 mm (length 1m or 5 m) + BNC
<b>Remarks</b>	Suitable for most pH and RX (ORP) controllers
<b>Shaft length</b>	120 mm

Code	EPH5	ERX5
<b>Range</b>	pH 0...14	- 1000... +1000 mV
<b>Membrane / Diaphragm</b>	Glass / membrane Resistance low/Ceramic	Platinum wire
<b>Zero-Point / Sensitivity</b>	0 + 20mV/Sensitivity 57.59 mV pH at 25°C	-
<b>Temperature/Isothermic</b>	0...60 °C / Isothermic Point 0 +/- 50 mV	0...60 °C
<b>Pressure</b>	4 bar	4 bar

### Electrode Module for pH and RX / Sensor Holders



ECELL1 ECELL3

#### Electrode and Sensor Holders

The electrode cell module is designed for hosting the following electrodes in use:

- pH and RX electrodes;
- Temperature sensors PT100;
- Dissolved Oxygen SENS OXY.

Code	Description
<b>ECELL1</b>	Single Electrode Module for pH / RX
<b>ECELL2</b>	Two Electrode Module for pH and RX
<b>ECELL3</b>	Three Electrode Module for pH, RX and others

### Membrane Ion Selective Sensors Module



CLS1

#### Membrane Ion Selective Sensor Holder

This module is a sensor holder designed for hosting the standard Membrane Ion Selective sensor in use.

- Free and Total Chlorine, Hydrogen Peroxide, Chlorine Dioxide and others.

Code	Description
<b>CLS1</b>	Single Membrane Ion Selective Holder

### Lovibond Salinity Tester



#### Water tester for conductivity, salinity, TDS and temperature

Pocket Tester is ideal for regular checks in industrial plants or swimming pools.

**Measuring Range:** Conductivity 0.01-20.00 mS/cm; Salinity 0.01-10 g/L; TDS 0.01-20.00 ppt; Temperature 0-50°

Code	Description
<b>SD30</b>	Lovibond Salinity Tester

### Electrodes Buffer Solutions



Code	Description
<b>SOL PH4</b>	Buffer Solution pH4, Bottle of 75ml
<b>SOL PH7</b>	Buffer Solution pH7, Bottle of 75ml
<b>SOL PH9</b>	Buffer Solution pH9, Bottle of 75ml
<b>SOL PH10</b>	Buffer Solution pH10, Bottle of 75ml
<b>SOL RX468</b>	Buffer Solution 468mV, Bottle of 75ml

# Automatic Chemical Regulation and Control

## ACCESSORIES

### Chemical Tanks with bund



- High resistance for acids and other chemicals with polyethylene body
- Rivetless, monoblock structure
- UV stabilized, no effect from sunlight, no bacteria cultivation material and technology.

Code	Model	Body Ø
<b>D-TANK50</b>	Atecpool Chemical Tank for Dosing PE body 50 ltr	225
<b>D-TANK100</b>	Atecpool Chemical Tank for Dosing PE body 100 ltr	450
<b>D-TANK200</b>	Atecpool Chemical Tank for Dosing PE body 200 ltr	558
<b>D-TANK500</b>	Atecpool Chemical Tank for Dosing PE body 500 ltr	800
<b>D-TANK1000</b>	Atecpool Chemical Tank for Dosing PE body 1000 ltr	1050

Code	Top Diameter	Bottom Diameter	Height
	(Ø)	(Ø)	(mm)
<b>BUND 100</b>	800	700	280
<b>BUND 200</b>	980	700	405
<b>BUND 500</b>	980	810	405

## Mixers for Dosing Tanks

### Manual Mixer

Manual mixers for medium tanks up to 200 ltr, PVC shaft and propeller.



Code	Shaft Length	Tank
	(mm)	(ltr)
<b>MIX-MAN60</b>	600	100
<b>MIX-MAN80</b>	800	200
<b>MIX-MAN90</b>	900	500

### Electrical Mixer / Low Speed Mixer

- Electrical slow mixers, 75/88/65/52 rpm. Gear driven. Fan and mixer shaft
- PVC material, shaft length 75/90 cm.
- Suitable for mixing fluids with viscosity up to 500 mPa·s

#### Shaft/Blade selection:

- Stainless Steel 304/316/316L
- Carbon Steel Lining Plastic/Rubber/PTFE/Enamel



Code	Shaft Length	Power Supply	Motor Power	RPM	Tank
	(mm)				(ltr)
<b>MIX/FMV 3-8</b>	750	230V – 1 phase – 50Hz	0,18kW	88	100-200
<b>MIX/FMV 3-6</b>	750	380V – 3 phase – 50Hz	0,18kW	75	100-200
<b>MIX/FMV 3-16</b>	900	230V – 1 phase – 50Hz	0,37kW	52	500-1000
<b>MIX/FMV 3-12</b>	900	380V – 3 phase – 50Hz	0,37kW	65	500-1000

# Atecpool Ozone Generator

PZONE EXCLUSIVE



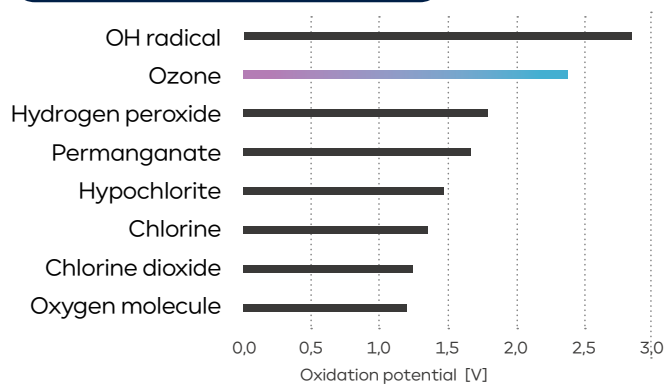
## Specifications

Description	Type
Technology	Ozone water treatment
Ozone production	2-12.5gO <sub>3</sub> /h
Application	Public/Private pools
Pool volume	200-1,200 m <sup>3</sup>
Ozone generation	Air dryer/ Oxygen concentrator
Power control	10-100%
Installation	Plug and play
Connection system	In by-pass

## Atecpool Pzone Exclusive

Ozone is a highly active form of oxygen in the form of a gas. Ozone is several hundred times stronger and more effective than chemical water treatments (such as chlorine). Ozone oxidises urea/ammonia, which is responsible for the formation of chloramines, as well as the formation of various forms of chloramines. This reduction in precursors also leads to a reduction in THM levels. Ozone is always generated at the application site. Ozone dissolved in water kills all bacteria and viruses. Ozone-treated water is clean, clear, tasteless and odorless.

## Effective Ozone Treatment



## Benefits of Ozone Generation

- Ozone is many times more effective than chemical water treatment.
- Ozone prevents the formation of chloramines.
- Ozone breaks down chloramines.
- Ozone is effective against chlorine-resistant organisms, algae, bacteria and viruses.
- Ozone makes your water crystal clear, odorless and healthy again.

## Pzone Components

- Air dryer / Oxygen concentrator
- Ozone generation
- Auxiliary pump
- Injector
- Reaction / Degassing tank
- Degassing valve
- Ozone destroyer in degassing tank

## Ozone Efficiency

- Disinfectant
- Decolourisation
- Removal of contaminants
- Deodorisation

## Model and Specifications

Model	Ozone Generation	Ozone Production	Pool volume		Input power	Dimensions	Weight
			Private pool	Public pool			
		(gO <sub>3</sub> /h)	(m <sup>3</sup> )	(m <sup>3</sup> )	(kW)	(mm)	(kg)
Exclusive 2,EP	Air dryer	2,0	up to 200	up to 100	1,0	550x450x1,100	55
Exclusive 4,EP	Air dryer	4,0	up to 400	up to 200	1,1	550x450x1,100	57
Exclusive 12,EP	Oxygen concentrator	12,5	up to 1,200	up to 600	1,6	1,100x500x1,200	121

Note: Custom ozone production units upon request

# Atecpool Ozone Generator

## OZONE DISINFECTION TECHNOLOGY

### Principle of Atecpool Ozone Generator

Atecpool Ozone generator produce high concentration ozone and avoids risk of burning the circuit, by which ozone is maintained effectively through corona discharge.

The ozone reactor with a high-voltage discharging unit is a micro-gap corona discharging structure composed of ceramic-Ti alloy material.

By virtue of module design, the standard power supply has a working frequency of 4~6KHz, which enables stable yield of ozone and a conversion rate of more than 5%. Under normal situations, there is no ozone yield diminishing after continuous working for 10,000h.



### Components

- Stainless steel case or a carbon steel case with epoxy coating
- Built-in PSA oxygen generator
- Built-in oil less air compressor
- Ceramic reaction chamber with wind cooling
- Standard power module of high frequency and pressure
- Ventilation system.

### Controlling

- Ozone output is adjustable from 0-100%
- Feed gas flow controller
- Reaction chamber pressure gauge 1~1.5kgf/cm<sup>2</sup>
- Ozone operating indicator
- Input power voltage display
- Automatic power-off protection in case of overheat or overcurrent

### Extra Spare Parts

- Air Refrigerated Dryer
- One-way valve  
Injector
- Booster pump
- Reaction Tank
- Ozone monitor
- Ozone destruction device
- Automatic exhaust steam valve
- Ozone leakage alarming device

## Technical Parameters

- Ozone production: 1-500 gm/hr
- Cooling mode: Built-in air cooling
- Air inlet dew point: -60°C
- Power supply: AC220V/380V
- Resistance to earth: ≤4Ω
- Ozone concentration: 50-105mg/L
- Ambient relative humidity: ≤85%
- Ambient temperature: 1°C ~ 53°C
- Yield adjustment: 0-100%
- Leakage concentration: ≤0.05ppm



### Technical Data

Model	Ozone Output (g/hr)	Ozone Concentration (mg/L)	Pool Size (US gallons)	Nominal Loading (US gallons)	Power (w)	Dimension (mm)	Weight (kg)
ATOZ03-1	1	0-50	Up to 12,000 /Spas up to 1000	Up to 24,000	550	600*300*1030	53
ATOZ03-2	2	0-50	Up to 24,000 /Spas up to 2000	Up to 48,000	550	600*300*1030	53
ATOZ03-5	5	0-50	Up to 60,000 /Spas up to 5000	Up to 120,000	550	600*300*1030	53
ATOZ03-10	10	0-50	Up to 120,000	Up to 240,000	650	600*300*1030	53
ATOZ03-15	15	0-80	Up to 180,000	Up to 360,000	700	600*300*1030	53
ATOZ03-20	20	0-100	Up to 240,000	Up to 480,000	850	600*300*1030	55
ATOZ03-30	30	0-105	Up to 360,000	Up to 720,000	950	600*300*1030	55

# Pearl Water Generator

SILKY-SOFT

BWT Pearl Water Generator

## BWT pearl water for your pool

SILKY-SOFT, LIMESCALE-FREE AND PH-NEUTRAL

Limescale deposits along the water line, on the pool cover and throughout the installation is ancient history because BWT Pool Pearl Water is soft. You need fewer pool chemicals and cleaning products – good for the environment and your pocket!

An entirely new set of unique features were developed for the BWT PEARL WATER GENERATOR HOME. The smart control system continuously adapts the machine's output to the pool water meaning it is energy efficient and consumes fewer resources.



### Automatic operation

Once configured, the pearl water system runs completely automatically



### Status Display

LED indicator to signal low operating product levels and system malfunctions.



### Smart

Configuration of the BWT PEARL WATER GENERATOR via WLAN is simple and easy.



### Autonomous

An in-built booster pump maintains a constant pressure and flow rate, the pool's filter pump is not solicited.



### Efficient

Completely new functionality, the BWT PEARL WATER GENERATOR HOME'S production continuously adapts to the current condition of the pool water. Efficiency and energy savings are guaranteed.



### Compact

Compact design with space-saving dimensions.



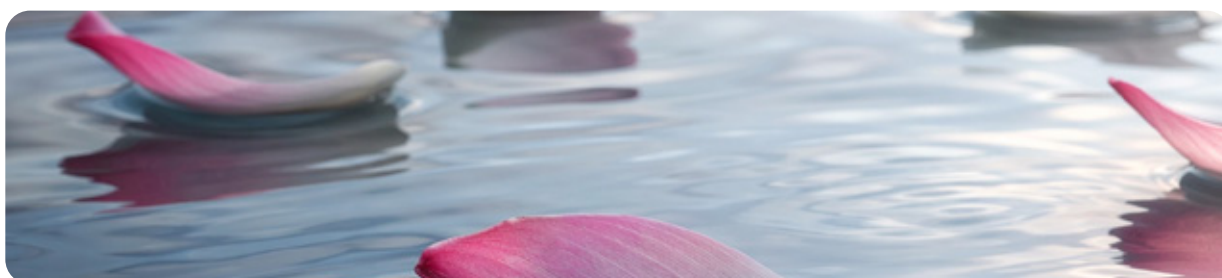
### Retrofittable

Compatible with new and existing pool installations.

Code	Description
125298982	BWT Pearl Water Generator Home

### Specifications

Specifications	Type
Pipings and fittings	Plug & play
Electrical connection	1~230 V / 50 Hz
Power cable	1 m
Operating product	BWT Perla Tabs
Salt storage	12 kg
Pool size	up to 100 m <sup>3</sup>
Partial flow	1200 l/h
Operating mode	automatic
WIFI	yes
Status LED	yes
Dimensions (W × D × H)	490 × 600 × 1030 mm
Weight	75 kg



BWT Best Water App



# Accu-Tab System

## TABLET CHLORINATION



16211030

### Power Base 1030

The Accu-Tab® system combines the patented erosion feeder technology of the Power-Base 1030 chlorinator with proprietary 31/8 -inch Accu-Tab Blue SI calcium hypochlorite tablets to deliver predictable rates of chlorine for commercial water applications.

- 30 pound tablet storage capacity
- For indoor pools up to 360.000 US gallons
- For outdoor un-stabilized pool up to 60.000 US gallons
- For outdoor stabilized pools up to 140.000 US gallons
- NSF 50 certified delivery - upto 2.8 lbs/hr chlorine

Code	Dimension	Inlet Connection	Outlet Connection	Electrical Requirements
16211030	22"W x 27"L x 35"H	1" Socket	1" Socket	230V 20 amp circuit



16213070

### Power Base 3070

The 3070 model has few moving parts and no small openings that can clog; freeing operators from frequent, time consuming maintenance. In most cases, once a year cleaning is all that is required.

- 70 pound tablet storage capacity
- For indoor pools up to 1.120.000 US gallons
- For outdoor un-stabilized pool up to 220.000 US gallons
- For outdoor stabilized pools up to 400.000 US gallons
- NSF 50 certified delivery - upto 10.2 lbs/hr chlorine

Code	Dimension	Inlet Connection	Outlet Connection	Electrical Requirements
16213070	22"W x 34"L x 52"H	1 1/2" Socket	1 1/2" Socket	230V 15 amp circuit



16213140

### Power Base 3140

The PowerBase 3140 is a compact, erosion-based chlorinator that uses Accu-Tab® Blue SI tablets for consistent chlorine delivery. It's ideal for small to medium pools, offering reliable performance in a durable design.

- 140-pound table storage capacity
- Indoor pools up to 2,000,000 US gallons
- Outdoor stabilized pools up to 700,000 US gallons
- Outdoor unstabilized pools up to 400,000 US gallons
- NSF 50 certified delivery - upto 22 lbs/hr chlorine

Code	Dimension	Inlet Connection	Outlet Connection	Electrical Requirements
16213140	25"W x 45"L x 51"H	2" Socket	2" Socket	230V 20 amp circuit



16213500

### Power Base 3500

The PowerBase 3500 is a compact, reliable chlorinator is ideal for small to medium pools. It delivers consistent chlorination and is known for its durable, high-performance design.

- 500 pound tablet storage capacity
- For indoor pools up to 4,800,000 US gallons
- For outdoor un-stabilized pool up to 800,000 US gallons
- For outdoor stabilized pools up to 1,400,000 US gallons
- NSF 50 certified delivery - upto 36.4 lbs/hr chlorine

Code	Dimension	Inlet Connection	Outlet Connection	Electrical Requirements
16213500	31"W x 63"L x 52"H	2" Socket	2" Socket	230V 30 amp circuit

# Accu-Tab System

## CALCIUM HYPOCHLORITE TABLETS

### Accu-Tab Calcium Hypochlorite Tablet SI

Accu-Tab® three-inch calcium hypochlorite (Cal-Hypo) tablets are able to erode reliably, consistently and predictably because they undergo a multi-step manufacturing and quality control process so they will not soften and clog the system which is a common problem with knock-off three-inch tablets and briquettes. The tablets are packed in 6 ½ gallon plastic pails containing 25 kgs by weight.



03400012

#### Accu-Tab Blue SI Tablets - Specifications

- Chemical Name: Calcium Hypochlorite
- Chemical Formula: Ca(OCl)2
- Dimensions: 31/8" diameter x 15/16" tall
- Chemical Assay of Cal-Hypo: Active Ingredient, Calcium Hypochlorite, % 68 nom.
- Other Ingredients, % 32. Minimal Available Chlorine, % 65
- Weight: 325 grams, nominal
- Color: Blue
- NSF Certification: The tablet and chlorinator shall be NSF Standard 50 listed as a combination only. Other combinations shall not be acceptable



03400013

#### Accu-Tab White SI Tablets - Specifications

- NSF 61 listed for drinking water
- Chemical Name: Calcium Hypochlorite
- Chemical Formula: Ca(OCl)2
- Dimensions: 31/8" diameter x 15/16" tall
- Chemical Assay of Cal-Hypo: Active Ingredient, Calcium Hypochlorite, %68 nom.
- Other Ingredients, %32. Minimal Available Chlorine, %65
- Weight: 325 grams, nominal
- Color: White
- NSF Certification: The tablet and chlorinator shall be NSF Standard 50 listed as a combination only. Other combinations shall not be acceptable

Code	Description	Standard Packing	Weight
			(Kg)
<b>03400012</b>	ACCU-TAB Blue SI 25Kg	1 pallet (24 pails)	600
<b>03400013</b>	ACCU-TAB White SI 25Kg	1 pallet (24 pails)	600

### In-line Chlorine / Bromine Feeder

Chlorine Feeder manufactured from unalterable ABS plastic material. Fixed with double safety system cover with built-in manual air relief valve. Easy to use adjustment regulation valve and drain plug. Has mounting fixture for safe operation and correct installation. Comes with 1½", 2" inlet and outlet threaded connection. Flow direction indicator on housing for correct installation.



Code	Capacity	Max Output	Max. Working Pressure	Connection	Total Height	Base Diameter	Std. Weight	Pkg. Unit	Pkg. Volume
					(mm)	(mm)	(kg)		(m³)
<b>00505678</b>	4.21 LBS / 2kg	16 LBS/Hr.	3,44 bar	1,5" IN/OUT Threaded	200	140	1,2	1	13
<b>00505679</b>	9 LBS / 4.08kg	32 LBS/Hr.	3,44 bar	1,5" IN/OUT Threaded	360	180	1,9	1	19

### Off-line Chlorine / Bromine Feeder

ABS body, 4 kg tablet capacity. Dosage adjustment on the device. Off-line model can be installed in the pool circulation line with an easy by-pass.

Code	Capacity	Max Output	Max. Working Pressure	Connection	Total Height	Base Diameter	Std. Weight	Pkg. Unit	Pkg. Volume
					(mm)	(mm)	(kg)		(m³)
<b>00505679-1</b>	9 LBS / 4.08kg	32 LBS/Hr.	3,44 bar	1,5" IN/OUT Threaded	360	180	1,9	1	19



# ACO / APF / NOPHOS

## CATALYTIC AGENTS FOR WATER QUALITY

### ACO - Active Catalytic Oxidizer

ACO is an Active Catalytic Oxidizer that works by using the energy of the sun or UV light to catalyze the formation of free radicals to disinfect pool water. The radicals work just like chlorine to remove pollutants but they do not form combined chlorine.

ACO is not consumed in the process; it just makes what naturally happens much more efficient. ACO also protects chlorine from photolysis by sunlight and makes it last three times longer in outdoor pools. ACO does the same as cyanuric acid, but instead of reducing oxidation capacity, ACO amplifies the disinfection of water.



- Eco-Friendly Water Treatment - For outdoor swimming pools, ACO in combination with sunlight helps to disinfect the water. ACO is an oxidation enhancer and chlorine stabilizer.
- A Healthy Bathing Experience - When using UV irradiation, the production of toxic disinfection by-products such as chloroform and cyanogen chloride are reduced.
- High Efficiency - ACO extends the half-life of chlorine and peroxide by over 300 %, giving you substantial chemical savings.

Code	Standard Packing	Volume
		(ltr)
20022	1	5
20021	1	20

### APF - All Poly Floc

APF is a multi-spectrum coagulant and flocculent that can remove pollutants from solution and flocculate fine suspended solids, such as skin cells and bacteria, into large particles that are easily removed by AFM® (Activated Filter Media).

No single flocculent or coagulant can remove everything from the water. APF is a precise combination of 10 different electrolytes and polyelectrolytes to cover the widest possible range. Dissolved constituents of water make up 80% of the oxidation demand and suspended solids around 20%. Everything that is filtered out does not need to be oxidized. When the correct flocculation is used in combination with AFM, chlorine consumption and the production of unwanted chlorine by-products are reduced by up to 80%.



- For a safe and healthy pool experience - APF is required to remove bacteria, and parasites such as Cryptosporidium and Giardia.
- Economic and environmental - Improved filtration reduces chlorine demand by up to 80%. It also means there will be fewer disinfection by-products formed. Operating costs will be lower and there will be less of an impact on the environment.
- For chlorine-free swimming in private pools - APF is important for chlorine-free water treatment of private swimming pools in combination with AFM® filtration

Code	Standard Packing	Volume
		(ltr)
20011	1	20

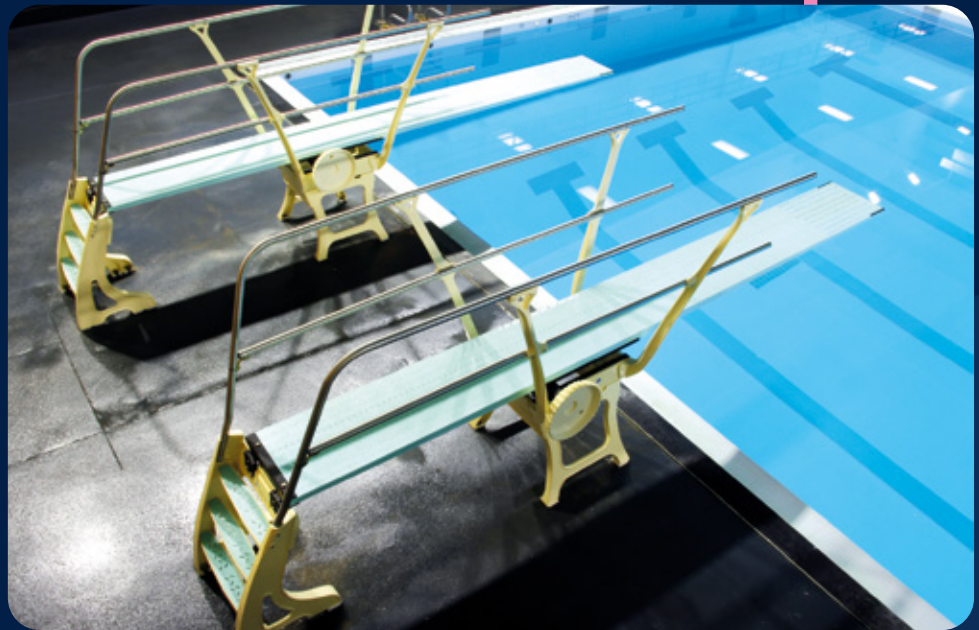
### NOPHOS - No Phosphate Biological Solution Against Algae for fish ponds

NoPhos removes phosphates that enter the pool from water supply, bathers and from debris blown into the pool. Phosphate is a fertilizer and if completely removed, algae and bacteria slowly starve and are eliminated over a period of about six weeks. NoPhos is a natural product that can be safely used in public and private swimming pools, as well as in natural pools, ponds and aquariums. NoPhos is a charged ion which reacts with phosphate to form an insoluble precipitate that is removed by AFM®, or it forms an inert deposit on the floor of the pool that is easily removed.



- Eliminates phosphates - Prevents algae and bacteria growth
- Is a natural product - NoPhos can be used in swimming pools and fish ponds
- Makes water crystal clear

Code	Standard Packing	Volume
		(ltr)
20001	1	5
20002	1	20



INSPIRED  
ByWater

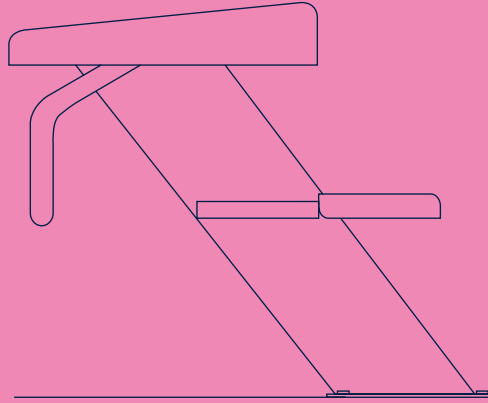
[atecpool.com](http://atecpool.com)



atecpool.com



# Competition Equipment



INSPIRED  
ByWater

**ATECPOOL**

 BWT GROUP



# Atecpool Competition Equipment



**DURAFLEX** aluminium springboards have been used exclusively in Olympic diving events since 1960. Duraflex boards and Duraflex stands are used in all major international, national, NCAA and competition diving events.

The only board  
approved by **FINA** for  
World Championships



**DURAFLEX**  
Making boards that make champions

# Duraflex

## ALUMINIUM SPRINGBOARDS



### Aluminium Springboards

Duraflex aluminium springboards are a one-piece ribbed extrusion of heat-treated, aircraft-grade aluminium alloy. A torsional stabilizer is attached to the bottom. The boards are coated with a slip-resistant surface. The underside of the board is protected from direct contact with our fulcrum by rubber channels attached to the ribs.



### 16' MAXIFLEX - MODEL B Springboard

The 16' Maxiflex Model B (also called Maxi-B) is the diving board that is used in all major competitive diving events in the world. The Maxi-B is the diving board for facilities that have any competitive diving events.

The 16' Maxi-B is tapered from the fulcrum area to the diving tip, and it is tapered from the fulcrum area to the anchor end. The double-taper allows the whole board to arc while flexing, giving it much more lift than the 16' Duraflex. The Maxi-B is distinguished by its 189 slots at the tip,

Code	Description	Length	Weight
		(ft)	(lbs)
16-MX	Maxiflex Model B Springboard	16'	145

**Warning:** The pool where these boards will be installed must have diving-well dimensions conforming to FINA, USA Diving, or NCAA minimum dimensions.

### 16' DURAFLEX Springboard

The 16' Duraflex is used for recreational diving in commercial pools that conform to USA Diving, FINA or NCAA minimum dimensions. They are tapered from the fulcrum area to the diving tip.



### 14' DURAFLEX Springboard

The 14' Duraflex is used for recreational diving in commercial pools that conform to USA Diving, FINA or NCAA minimum dimensions. They are tapered from the fulcrum area to the diving tip.



Code	Description	Length	Weight
		(ft)	(lbs)
16-DX	Duraflex 16' Springboard	16'	145
14-DX	Duraflex 14' Springboard	14'	140

### New Short Stand

The Duraflex short stand is designed to provide a firm foundation for mounting Duraflex aluminium springboards. The Duraflex short stands are designed to mount on your concrete pedestal or platform. The stand consists of a short stand anchor and a fulcrum assembly.



Code	Description	Weight
		(lbs)
10006	New Short Stand for 16-MX	145
10007	New Short Stand for 16-DX	145
10008	New Short Stand for 14-DX	145

### Features

- ➔ New fulcrum mechanisms avoid slip-stick effect when adjusting the fulcrum
- ➔ Alignment beam to ensure correct installation and spacing between the rear end of the stand and the fulcrum giving greater consistency between diving stands
- ➔ Redesigned mounting locations ensure correct alignment and compensate for less-than-ideal decks
- ➔ Enhanced coating process to reduce corrosion

# Duraflex

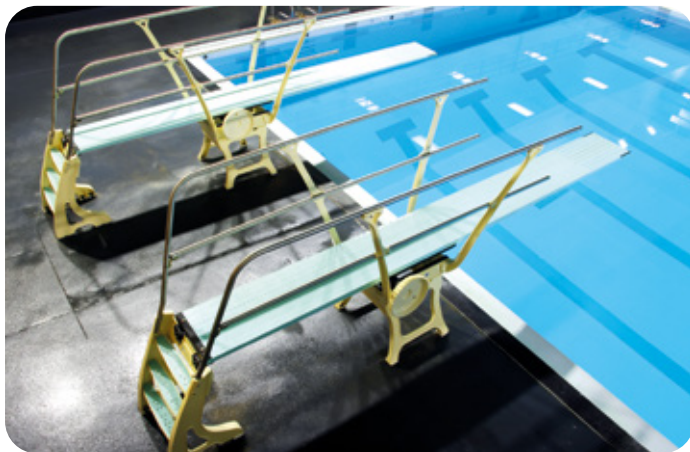
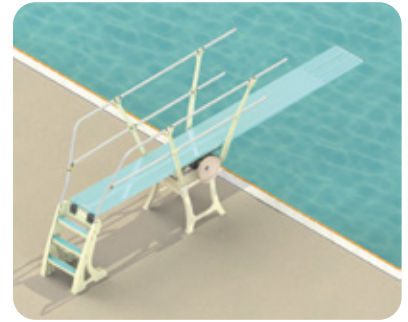
## 1 AND 3 METER STANDS



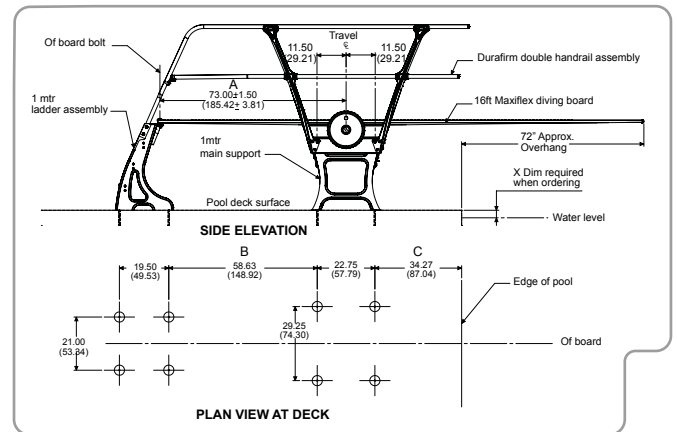
### 1 Meter Stand

1 Meter Duraflex stand is designed to provide a firm foundation for mounting Duraflex aluminium springboards. The Duraflex stand is the result of a design focused on stability, low noise level and ease of installation.

Duraflex stands have double stainless-steel handrails on both sides. The 1-meter structures are manufactured in five different heights to accommodate various deck-to-water levels. The deck to water dimension of the pool, deck slope and diving board model must be indicated when ordering. This information is used to determine the correct stand height for your facility. Drawings and CAD files can then be provided.



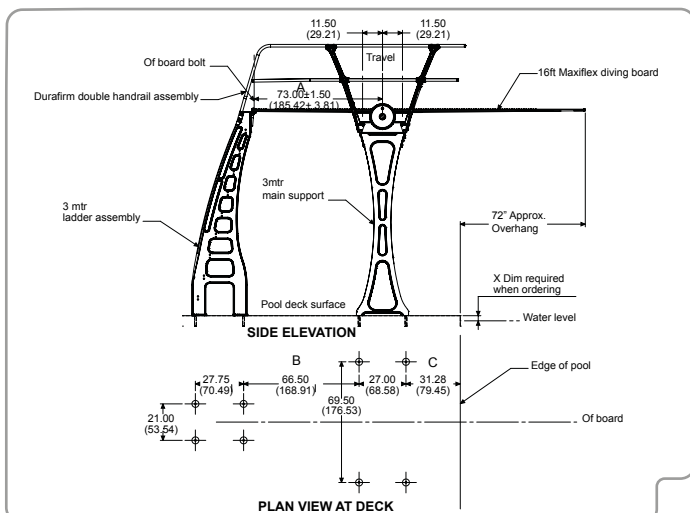
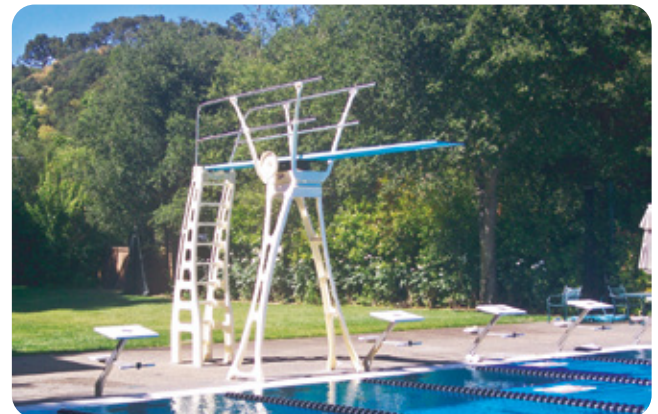
Code	Description	Weight
		(lbs)
<b>1M</b>	<b>1 Meter Stand with handrails on both sides</b>	420



### 3 Meter Stand

The 3 Meter Duraflex stand is designed to provide a firm foundation for mounting Duraflex aluminium springboards. The Duraflex stand is the result of design focused on stability, low noise level and ease of installation. Built-in handrails on the ladder provide a comfortable grip.

Duraflex stands have double stainless-steel handrails on both sides. The 3-meter structures are manufactured in three heights to accommodate various deck to water levels. The deck to water dimension of the pool, deck slope and diving board model must be indicated when ordering. This information is used to determine the correct stand height for your facility. Drawings and CAD files can then be provided.



Code	Description	Weight
		(lbs)
<b>3M</b>	<b>3 Meter Stand with handrails on both sides</b>	675



# Competition Equipment

## STARTING BLOCKS

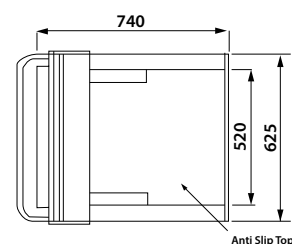
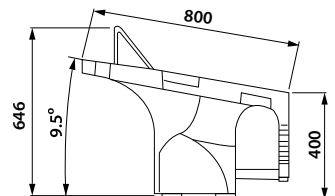
### Anti Wave SuperBlock with Track Start

Made of reinforced fiberglass, these are the premium starting blocks for top performance training and competition venues. 800x625 mm anti-slip platform surface with AISI 316 fittings. Backstart handles reinforced with AISI 316 for safety and durability. Compatible with major electronic timing systems (including Omega RBD). Produced using SMC machine moulding, same production method as current Omega OSB block range.



#### 1 Meter Stand

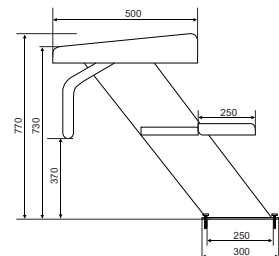
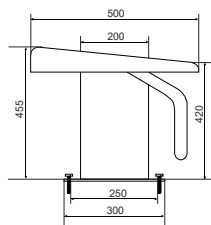
- ➔ Movable Track Start, adjustable to 5 positions.
- ➔ Durable, long life anti-slip top tread.
- ➔ Safe start handles for fast start and safety.



Code	Description	Length	Weight	Volume
		(mm)	(kg)	(m <sup>3</sup> )
13034080	Super Block with Track Start	400	50	0,42

### Starting Block with Adjustable Platform

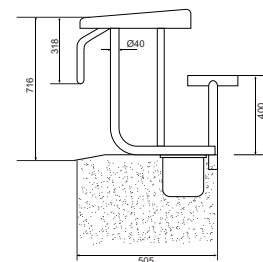
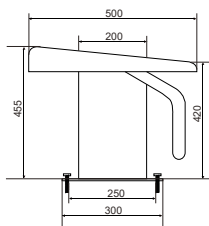
Made of stainless steel AISI 316 with adjustable platform 500 x 500 mm in polyester and fibreglass with non-slip finish. Plate Anchoring in stainless steel AISI 316 included. Number sequence to be requested separately. Available in two heights – 400 and 700 mm.



Code	Description	Length	Weight	Volume
		(mm)	(kg)	(m <sup>3</sup> )
13034082	Starting Block 400 MM w/adjustable platform	400	18	0,11
13034083	Starting Block 700 MM w/adjustable platform	700	32	0,34

### Atecpool Starting Block with Fixed Platform

Made of stainless steel AISI 316 with fixed platform 500 x 500 mm in polyester and fibreglass with non-slip finish. Tube anchoring in stainless steel AISI 316 not included. Number sequence to be requested separately. Available in two heights – 400 and 700 mm.



Code	Description	Length	Weight	Volume
		(mm)	(kg)	(m <sup>3</sup> )
13034084	Starting Block 400 MM w/fixed platform	400	18	0,11
13034085	Starting Block 700 MM w/fixed platform	700	32	0,34

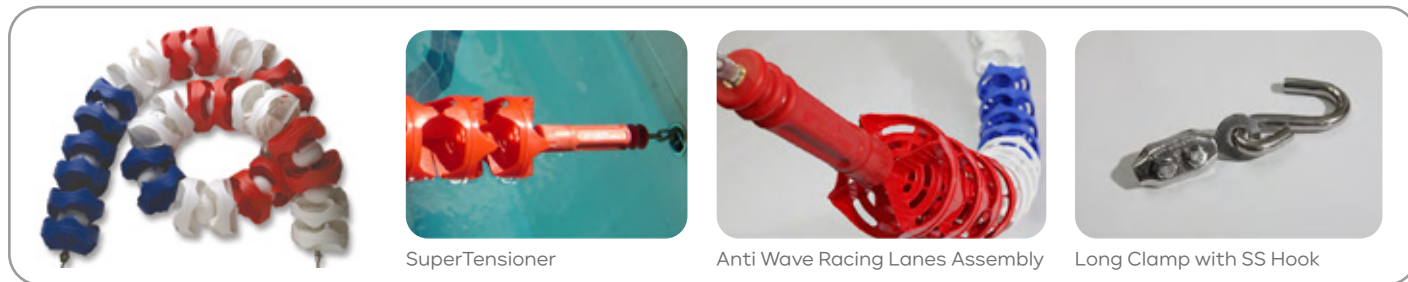
# Competition Equipment

## OLYMPIC POOL ACCESSORIES

### Anti Wave Maxi Lanes

MAXI 150mmØ and MIDI 110mmØ racing lanes are designed for optimal water dissipation and wave control in high turbidity. MAXI 150 mmØ model used in FINA World Cup, Olympic Games and other top venues. Both MAXI and MIDI use cable SS316 with diameter of 3.1mm and max force of 5kN - allowing higher tension and more effective wave dissipation for the world's fastest pools. All discs are made from UV stabilized advanced copolymer thermoplastics.

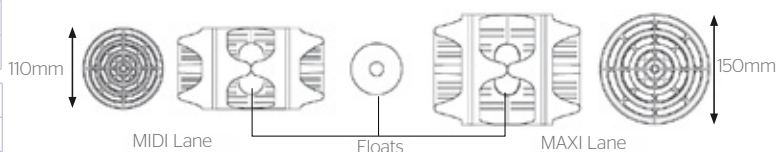
Anti Wave Lanes MAXI 150mm Ø and MIDI 110mm Ø are supplied fully assembled with SuperTensioner, Long Clamp and SS Hook, ready for installation.



Code	Description	Length
		(m)
13039090	Float Lane 12,5 MIDI 110 mm Competition	12,5
13039094	Float Lane 25 MIDI 110 mm Competition	25
13039095	Float Lane 50 MIDI 110 mm Competition	50
13039077	Float Lane 25 MAXI 150 mm Competition	25
13039067	Float Lane 50 MIDI 150 mm Competition	50

- Standard colours: Red 5m ends with White and Blue 1 m alternating sections. 25 m Lanes orders have red marks at 15m position, 50 m orders have red marks at the 15 m, and 25 m positions.

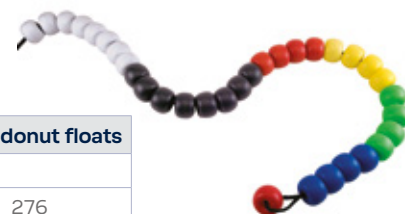
- FINA Multicolour available on request



### Lane Rope Standard

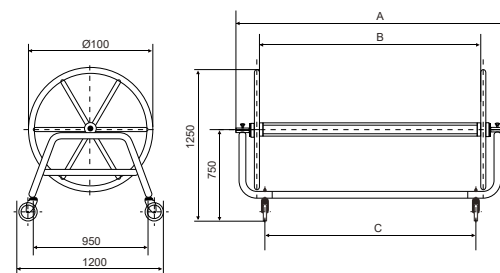
Standard model is available in 25 m, 50 m or any custom length. Lane supplied with doughnut floats dimension Ø68 mm, stainless steel cord 6 mm and a hook. Red and white colour combinations Floats: Polyethylene free from heavy metals.

Code	Description	Length	No. of donut floats
		(m)	
13039091	Float Lane 12,5 M STD	12,5	276
13039092	Float Lane 25 M STD	25	552
13039093	Float Lane 50 M STD	50	1105



### Lane Rope Roller

Storage for lane ropes. Made in stainless steel AISI 316 with 4 castor wheels for easy movement. Available in 1200 mm and 1800 mm width.



Capacity - quantity of lane ropes collected in each roller

Code	Description	A	B	C	Weight	Volume
		(mm)	(mm)	(mm)	(kg)	(m³)
13037071	Lane Rope Roller 1200 mm	1590	1200	1150	9	0,07
13037072	Lane Rope Roller 1800 mm	2190	1800	1750	13	0,09

Model	1200 mm		1800 mm	
	25m	50m	25m	50m
Lane Rope Standard Competition	4	2	6	3
Lane Rope Standard	8	4	12	6

# Competition Equipment

## OLYMPIC POOL ACCESSORIES

### Lane Rope Anchor

Used for pools with gutter at the floor level. Dimension Ø40 mm, height 165 mm, and made of Stainless Steel AISI 316. Lane anchor to be equipped with a hook for attachment of lane ropes onto the pool deck.



Code	Description	Height	Weight	Std packing
		(mm)	(kg)	
13037081	Lane Rope Anchor	165	0,60	2

### Lane Rope Anchor Cup with central rod

Used for pools with water level below the floor level. Made of S.S. AISI 316. Lane anchor cup to be equipped with a hook for attachment of lane ropes.



Code	Description	Weight	Std packing
		(kg)	
13030016	Lane Rope Anchor w/ Central Rod	0,8	2

### Lane Rope Anchor Cup Retractable

Used for pools with water level below the floor level. Made of S.S. AISI 316. Lane anchor cup to be equipped with a hook for attachment of lane ropes.



Code	Description	Weight	Std packing
		(kg)	
13030019	Lane Rope Anchor Cup Retractable	0,8	2

### Super Tensioner

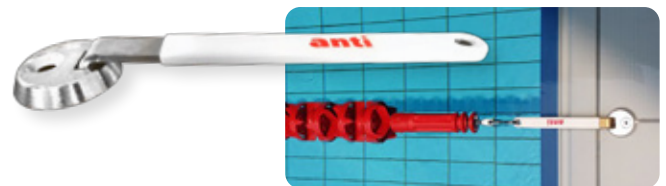
Stainless Steel rod with brass ferrule and glass-filled polycarbonate body construction. Cable is SS316 with diameter of 3.1 mm and max force of 5Kn. Body length including lock nut is 230 mm.



Code	Description	Length
		(mm)
13039097	Lane Rope Tensioner	230

### Overflow Lane Anchor

Overflow Lane Anchor SS 316 has a safe low profile on the pool deck and its 215 mm arm is rubber coated to ensure pool tiles are not damaged.



Code	Description	Length
		(mm)
13037089	Overflow Lane Anchor	215

### Lane Rope Hook

Made of Stainless Steel AISI 316.



Code	Description	Weight	Std packing
		(kg)	
13037082	Lane Rope Hook	2	25

### Lane Rope Ratchet

Made of Stainless Steel AISI 316.



Code	Description	Weight	Std packing
		(kg)	
13037090	Lane Rope Ratchet	0,8	1

# Competition Equipment

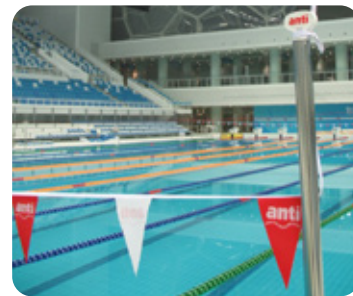
## OLYMPIC POOL ACCESSORIES

### Backstroke poles and flag set

The Anti Wave Back Stroke Pole and Flag Set contains a complete set of FINA/WA Regulation SS Poles, Flags and Ropes and Deck Hole Anchors. Includes:

- ➔ 2 x SS316L Back Stroke Poles - 48.3mm diameter with 1.6mm thickness and height 2m
- ➔ 1x BackStroke Flags and Rope FINA/WA Regulation
- ➔ 2 x Deck Hole Anchors for fixing of Poles

Custom sizes available to suit all pool widths. Custom Flag printing available to suit your pool or club. Meets all FINA/WA competition requirements.



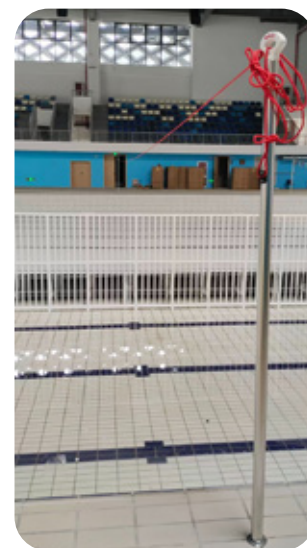
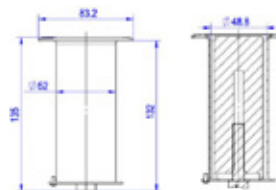
### False start poles and rope set

Anti Wave False Start Poles and Rope Set includes stainless steel regulation poles, rope, and anchors, with quick-release clips for fast and clear false start indication. Meets all FINA/WA competition requirements. Includes:

- ➔ 2 x SS316L False Start Poles - 48.3mm diameter with 1.6mm thickness and height 2m
- ➔ 1x False Start Rope and Fittings
- ➔ 2 x Deck Hole Anchor

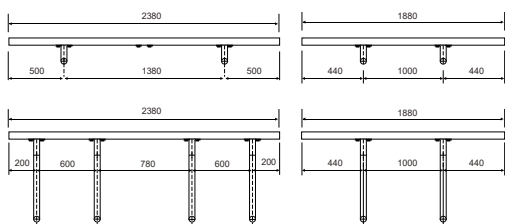
Code	Model	Description	Weight	Volume
			kg	m <sup>3</sup>
13038039	Backstroke poles and flag set	SS316L Poles no Jaw x 2, DH Anchor x 2, Flag 25m x 1	54	0.65
13038039-1	Backstroke poles and flag set	SS316L Poles no Jaw x 2, DH Anchor x 2, Flag 12.5m x 1	53	0.65
13038032	False start poles and rope set	SS316L Poles with Jaw x 2, DH Anchor x 2, Rope 25m x 1	30	0.40
13038032-1	False start poles and rope set	SS316L Poles with Jaw x 2, DH Anchor x 2, Rope 12.5m x 1	29	0.40

Deck Hole Anchor



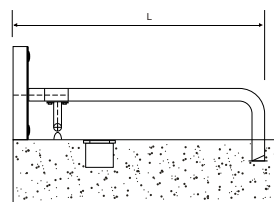
### Turning Panels

Stainless Steel AISI 316 turning panel with ABS lattice. Height 300 mm. Support not included.



### Support for Turning Panel

Support for Turning panel in S.S. AISI 316. Custom length (L) based on request. 2 units for each turning panel.



Code	Description	Weight	Std Packing
		(kg)	
13034008	Turning Panel Width 2m	14,2	1
13034009	Turning Panel Width 2,5m	17,1	1

Code	Description	Weight	Std Packing
		(kg)	
13034005	Support for Turning Panel AISI 316	5,5	1

### Anchoring Socket - Flat

Flat anchoring socket in S.S. AISI 316. For Ø43 mm and Ø48 mm post.

Code	Description	Weight	Std Packing
		(kg)	
13030015	Anchoring Socket Flat 43mm	1,7	2
13030017	Anchoring Socket Flat 48mm	1,81	2



### Anchoring Socket - Angled

Angled anchoring socket in S.S. AISI 316. For Ø43 mm and Ø48 mm post.

Code	Description	Weight	Std Packing
		(kg)	
13030018	Anchoring Socket Angled 43mm	1,6	2
13030020	Anchoring Socket Angled 48mm	1,75	2



# Competition Equipment

## MOVABLE BULKHEAD

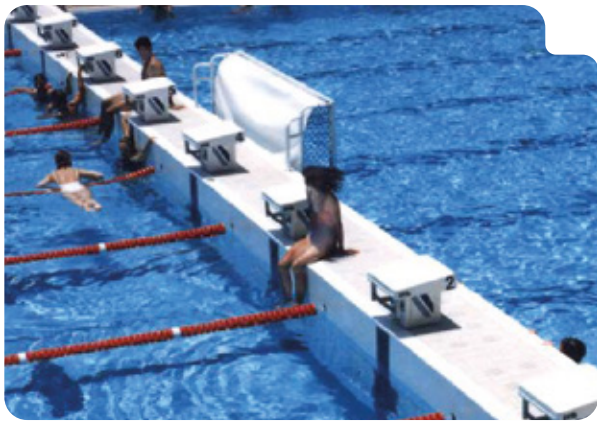


### Anti Wave Motorised Bulkhead AWE043

The Anti Wave Movable Bulkhead sets the international standard for Bulkhead pool configuration and programmability. Anti Wave has developed a high-precision corrosion resistant bulkhead that successfully meets all World Aquatics and equivalent competition regulations.

Anti Wave Bulkheads utilise cutting edge FRP production to ensure precision tolerances and a clean aesthetic design that is complementary to the pool.

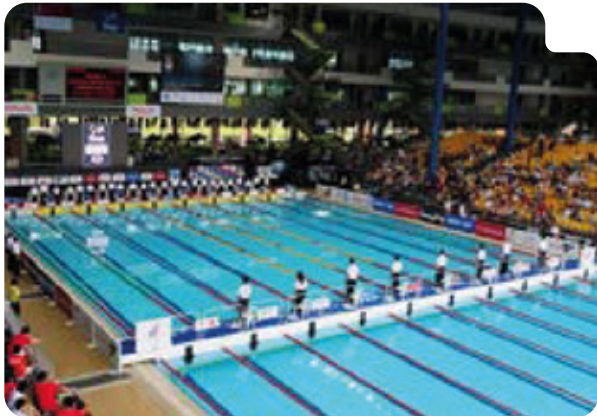
Bulkhead motorisation facilitates reliable operation for various aquatic activities.



Innovation and Durability • Anti Movable Bulkhead installed Brisbane Valley 1985 and still in service today



Innovation, practicality and durability • Anti Wave Movable World Aquatics compliant Bulkhead, since 1985



FINA World Cup Singapore 2012



Movable Bulkhead



South East Asian Games Venue Bulkhead, 2019



Motorised Bulkhead

# Aquatic Attractions

## WAVE POOL

### Atecpool Wave Pool

A timeless favorite, the Wave Pool remains one of the most sought-after attractions in any water park. Rivaling water slides in popularity, it appeals to visitors of all ages, from young children to adults, making it a must-have feature for any aquatic venue.

Designed to suit a variety of venues, standard wave pools range in size from 150 m<sup>2</sup> to 5,000 m<sup>2</sup>, making them ideal for small, medium, and large-scale water parks, as well as hotels and resorts.

Atecpool Wave Pools are crafted using premium-quality materials, ensuring long-lasting durability and performance. While the system is capable of running continuously throughout the day, operating it in 15–30 minute intervals each hour is recommended. This not only conserves energy but also enhances the overall guest experience by creating anticipation and excitement with each session.

Wave Chamber No.	Power	Area
	(kW/h)	(m <sup>2</sup> )
2	40-50	120-250
3	40-60	150-450
4	50-60	350-600
5	60-80	450-800
6	90-115	600-1000
8	90-115	1000-2000
10	120-160	1500-2500



### Customised Wave Pool Designs

Wave Pools come in a variety of shapes and styles, adding visual appeal and architectural value to any water park. Equipped with a pneumatic wave generation system, these pools can produce waves up to 1.2 meters high—providing a thrilling, ocean-like experience for guests.

The system features an inverter-driven air fan motor, which enhances durability and significantly reduces energy consumption by optimizing motor performance.

Control is made easy through an intuitive electrical panel with a touch screen interface. The user-friendly software includes automatic scheduling options, allowing operators to pre-program up to 8 different wave patterns. These can be set to run at specific times on any day of the week—no manual operation required. Simply ensure poolside safety, and the waves are ready to roll.



# Aquatic Attractions

## LAZY RIVER

### Atecpool Lazy River

A classic yet ever-popular attraction, the Lazy River remains a top choice for water parks worldwide. Competing with slides and wave pools in popularity, it offers a relaxing and enjoyable experience for guests of all ages.

Typically designed in a continuous ring shape with a consistent ground level, Lazy Rivers begin at lengths of 80 meters, with standard widths ranging from 3 to 4 meters.

Thanks to its flexible design, the Lazy River is a perfect addition to small, medium, and large-scale water parks, as well as hotels and resort properties—bringing both leisure and charm to any aquatic environment.

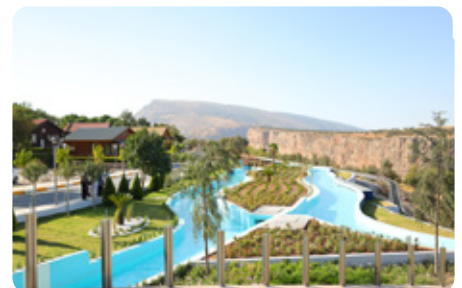


### Architectural Elegance Meets Relaxation

Lazy Rivers not only provide a tranquil guest experience but also enhance the overall aesthetic and layout of any water park or resort. One of the most popular design approaches is routing the river around the perimeter of the park, allowing guests to enjoy a soothing ride while taking in all the entertainment areas.

Standard flow speeds range from 0.4 to 0.6 m/s, with the option to adjust according to specific client needs or operational goals.

Atecpool Lazy Rivers are built using premium-grade materials to ensure long-lasting durability and energy efficiency. Designed for all-day operation, the system boasts low energy consumption thanks to the integration of inverter-driven pumps. These pumps are installed directly within the river channel, minimizing initial investment and maximizing operational efficiency. A standout feature of Atecpool technology is its innovative pipe- and nozzle-free system. This allows for a faster installation process, significantly simplifying civil works and reducing construction costs—making it a smart and efficient choice for any scale of development.



# Aquatic Attractions

## SURF POOL

### Atecpool Surf Pool

Atecpool Surf Pool provides a turnkey solution that includes full engineering, design, and system installation—compatible with both concrete and metal pool bases. Every component is engineered for durability and built to withstand long-term exposure to water and environmental conditions.

The internal structure is constructed from high-quality AISI 304 stainless steel, ensuring exceptional strength and corrosion resistance. The surf surface and surrounding attraction walls are designed to meet the highest safety standards, delivering a secure and exhilarating ride for all users.

Atecpool Surf Pool offers three standard systems with customization options:

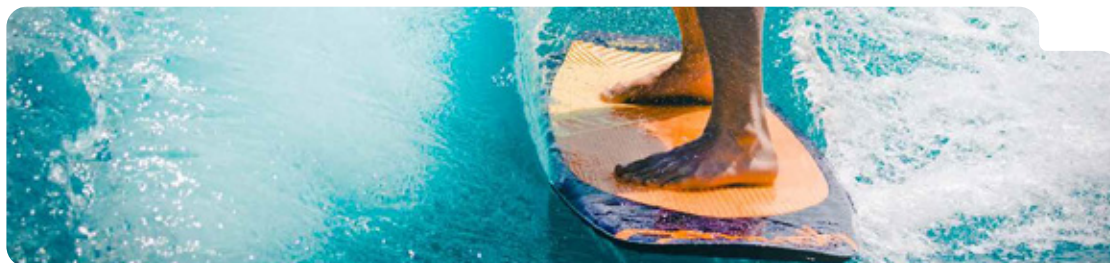
- ➔ Atecpool Surf Pool Single
- ➔ Atecpool Surf Pool Double
- ➔ Atecpool Surf Pool Triple

Additionally, special designs are available according to specific needs



### Technical Data

Code	Power Requirements	Tank Volume	Surfing Surface	Dimensions	Sound
		(m³)	WxL (m)	WxL (m)	(dB)
<b>SURF1007</b>	<b>140A / 75kw/h / 3 Phase</b>	70	5,00x8,00	7,80x17,20	75-85
<b>SURF2009</b>	<b>280A / 150kw/h / 3 Phase</b>	110	8,00x8,00	10,80x17,20	75-85
<b>SURF3008</b>	<b>425A / 225kw/h / 3 Phase</b>	140	10,00x8,00	12,80x17,20	75-85



### Atecpool Surf Pool Single

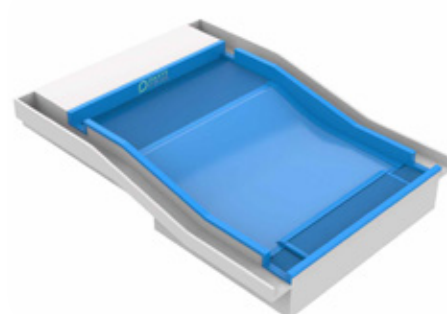
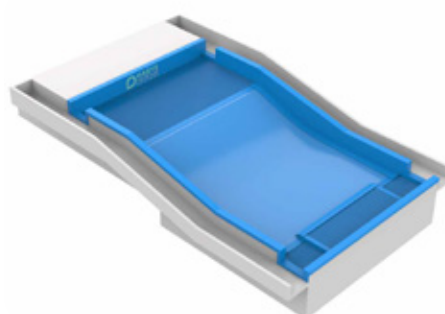
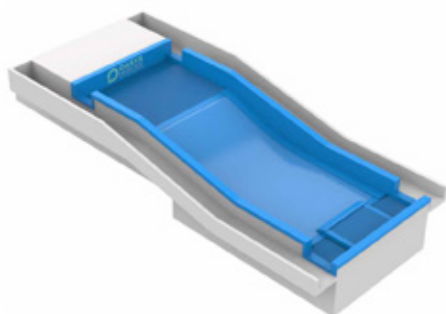
Surf Pool Single is a compact, cost-effective model with a 5-meter-wide surface for one rider. Ideal for smaller indoor venues like hotels and malls, it offers a fun experience with minimal space and operating costs.

### Atecpool Surf Pool Double

Surf Pool Double is the most popular model in the Atecpool line, offering an 8-meter-wide surface for two riders. Inflatable dividers create two lanes, making it ideal for indoor and outdoor spaces like hotels, malls, and surf clubs. It delivers a fun, visually striking, and group-friendly experience.

### Atecpool Surf Pool Triple

Surf Pool Triple offers extra comfort for 2–3 riders with its 10-meter-wide surface. Inflatable dividers allow it to split into multiple lanes. Ideal for spacious indoor or outdoor venues, it boosts both fun and rider capacity—perfect for water parks, resorts, hotels, and surf clubs.

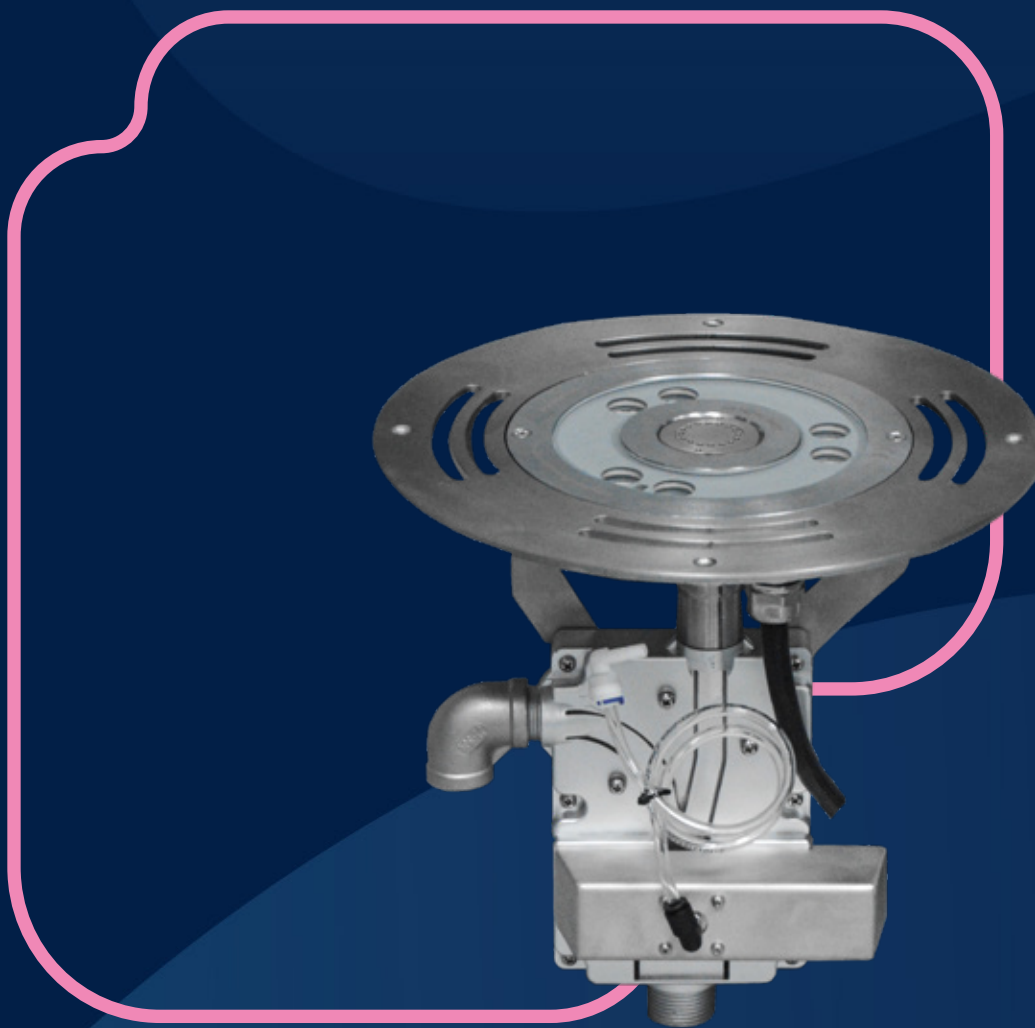


INSPIRED  
ByWater

**ATECPPOOL**

 **BWT** GROUP

 [atecpool.com](https://atecpool.com)



INSPIRED  
ByWater

[atecpool.com](http://atecpool.com)



atecpool.com



# Rainbow Fountain

RAINBOW  
by ATECPOOL

INSPIRED  
By Water

**ATECPOOL**

BWT GROUP

# Atecpool Rainbow Fountain

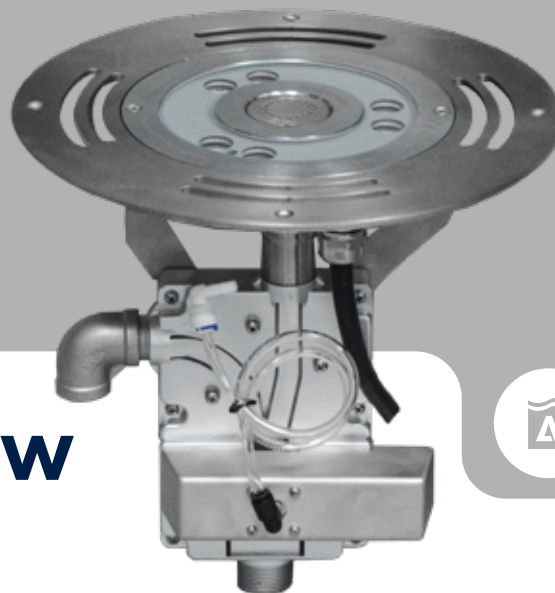
**ATECPOOL Rainbow Fountain** water feature design concept is inspired by the graceful motion of dancing water. With this fundamental idea in mind, the water feature is conceptually designed, engineered to the highest standards, and carefully delivered.

**ATECPOOL Rainbow Fountain** is designed to create a visually captivating effect through the combination of water movement and underwater multicolor

LED lighting. Its overall performance is intended to amaze every viewer with its magical water display.

Individual DMX signals ensure optimal LED lighting performance. Water switches are used to improve the uniformity of spray height and the response speed of the water jets. The musical fountain is controlled by the Synchronorm Integrated Control System.

**Rainbow Fountain - magical water**



# Magical Water

## Creating Life

DISCOVER  
PRODUCTS:



**NOZZLES**



**INTERACTIVE  
FOUNTAINS**



**FOUNTAIN  
LIGHTING**



**CONTROLLABLE  
PUMPS**



**CONTROLS**

# Rainbow Fountain



## PROJECT REFERENCES

Bugis Junction Plaza Fountain, Singapore

DMX Control system with 24 aerated jets and 12 jumping jets.



**BUGIS JUNCTION  
PLAZA FOUNTAIN**

# Rainbow Fountain

## PROJECT REFERENCES

### The Metropolis, Singapore

Linear array of LED foam effect jets, akin to a red carpet welcome.



THE METROPOLIS  
FOUNTAIN



# Rainbow Fountain

## PROJECT REFERENCES

SHAW House, Orchard Road- Singapore

Jumping jets aligned along both sides of the mall entrance, welcoming shoppers.



SHAW HOUSE  
ORCHARD ROAD

# Rainbow Fountain

## PROJECT REFERENCES

Sadong Jaya, Malaysia

DMX programmed 50 comet nozzle on waterswitch, fully integrated fountain display.



SADONG JAYA  
MALAYSIA



# Rainbow Fountain

## PROJECT REFERENCES

Pandan Lake, Kuala Lumpur, Malaysia

DMX programmed floating fountain with waterswitch, bringing out night beauty of this lake with color abundance.



PANDAN LAKE  
KUALA LUMPUR



# Rainbow Fountain

## PROJECT REFERENCES

Kenjeran Surabaya, Indonesia

Dancing musical fountain, 64 comet nozzles mounted on water switches with exclusive magical water effects.



KENJERAN  
SURABAYA



# Complete Fountain Solutions



- Concept Design and Development
- 3D Rendering and 3D Animations
- Technical Support and Site Evaluation

- Product offerings and Inventory
- Production and Manufacturing
- Start-Up and Commissioning



1

IMAGINATION



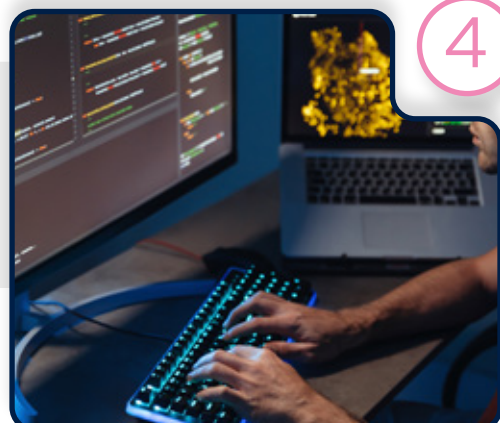
2

CONCEPT



3

DESIGN



4

INNOVATION



5

QUALITY

# Rainbow Fountain

## COMET NOZZLES

### Comet Nozzles

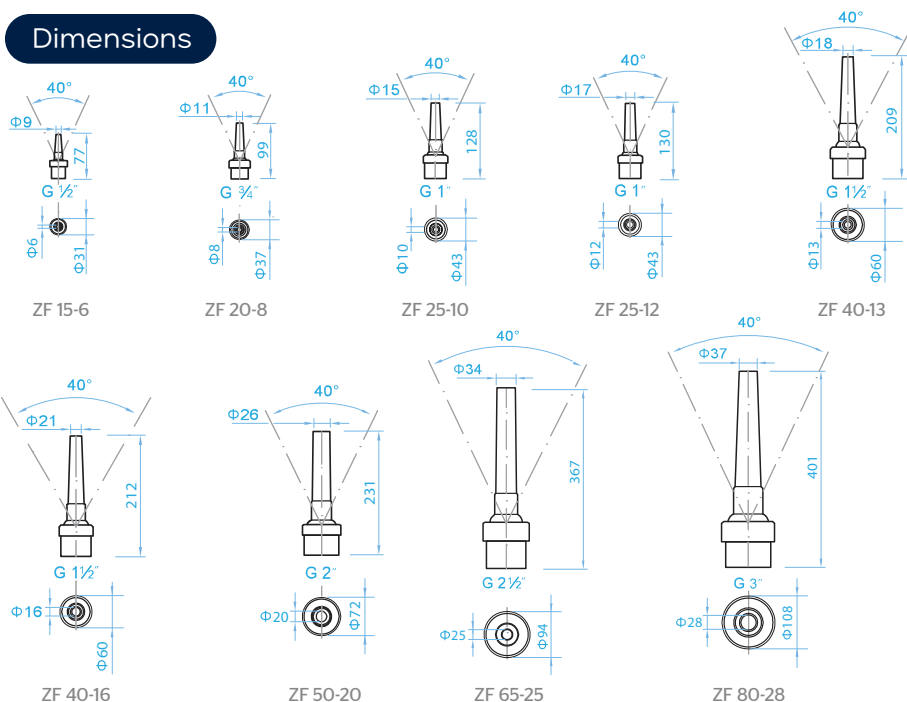


### Specifications

- Stainless steel AISI 316
- Clear stream jet
- Good resistance to wind
- Water level independent
- Adjustable spray angle

Code	BSP. connection	Flow/Head	SPRAY HEIGHT (m)														
			0,5	0,75	1	1,5	2	2,5	3	4	5	6	8	10	12	15	
ZF 15-6	1/2"	LPM	7	10	12	15	17										
		Head in m	0,5	0,8	1	1,5	2										
ZF 20-8	3/4"	LPM	11	15	19	23	27	31	35	37							
		Head in m	0,5	1	1,5	2	2,5	3	4	5							
ZF 25-10	1"	LPM	18	24	27	32	35	40	46	53	60						
		Head in m	0,5	0,8	1	1,5	2	2,5	3	4	5						
ZF 25-12	1"	LPM	23	25	27	35	55	58	63	75	87	95					
		Head in m	0,6	0,8	1	1,5	2,1	2,5	3,5	5	7	8,5					
ZF 40-13	1 1/2"	LPM			42	46	50	57	63	79	102	120	140	180			
		Head in m			1,4	1,8	2	2,5	3	4,8	7	11	19	23			
ZF 40-16	1 1/2"	LPM					80	88	98	118	140	180	200	230			
		Head in m					2	2,5	3	4,5	6	8	10	12			
ZF 50-20	2"	LPM							160	200	225	246	270	293			
		Head in m								3,5	6	7,5	9,5	11,5	15		
ZF 65-25	2 1/2"	LPM								280	326	369	405	450	490	531	
		Head in m									4,6	6	7,5	9	11	16,8	22,5
ZF 80-28	3"	LPM										439	479	552	618	800	880
		Head in m											7,1	8,6	12	14	17

### Dimensions



# Rainbow Fountain

## FOAM AND SINGLE JET NOZZLES

### ZM-Series Foam Nozzle

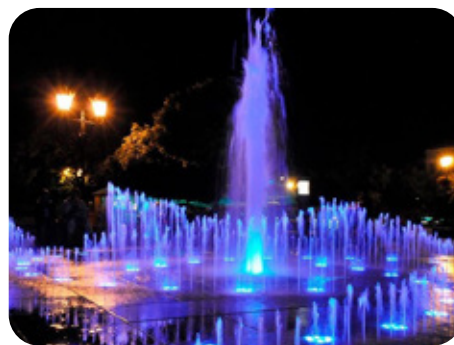
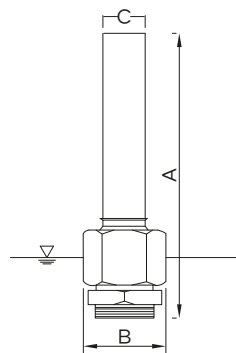


#### Specifications

- Stainless steel AISI 316
- Foamy jet
- Good resistance to wind
- Water level dependent
- Adjustable spray angle

Code	BSP. connection	Flow/Head	SPRAY HEIGHT (m)								
			0,5	0,75	1	1,50	2	3	4	5	6
ZM15	1/2"	LPM	20	28	32	40	46	58	70		
		Head in m	0,5	1,8	2	3,5	4,5	7	11		
ZM20	3/4"	LPM	26	35	38	48	56	69	91	110	
		Head in m	0,6	0,8	1,2	2	3	4,8	8	12	
ZM25	1"	LPM	47	55	65	83	95	112	142	166	180
		Head in m	0,7	1	1,5	2,2	3,4	5,4	8	10	12
ZM40	1 1/2"	LPM	82	100	112	142	170	220	270	320	370
		Head in m	1	2	3	5	6	11	16	21	26

### Single Jet Nozzle



#### Specifications

- Stainless steel AISI 316
- Finger jet
- Good resistance to wind
- Water level independent
- Adjustable spray angle

Code	BSP. connection	Dimensions (mm)			Flow/Head	SPRAY HEIGHT (m)								
		A	B	C		0,5	0,75	1	1,50	2	3	4	5	6
ZSJ25	1/4"	73	21	6,5	LPM	6	7,16	9,33	11,3	-	-	-	-	-
					Head in m	0,75	1,10	1,40	2	-	-	-	-	-
ZSJ100	1"	161	35,6	16,2	LPM	21,5	25,83	31,16	39,83	46,83	58,67	68,33	76,83	84,67
					Head in m	0,6	0,8	1,1	1,7	2,3	3,6	4,8	6,1	7,4
ZSJ150	1 1/2"	192	54	26	LPM	42	52	62,17	76,33	89	110	127,67	135,67	143,33
					Head in m	1,6	,9	1,1	1,7	1,9	3,4	4,6	5,2	5,8

# Rainbow Fountain

## FOAM NOZZLE

### Zg Series Foam Nozzles



ZG25P

ZG25

ZG40

ZG50

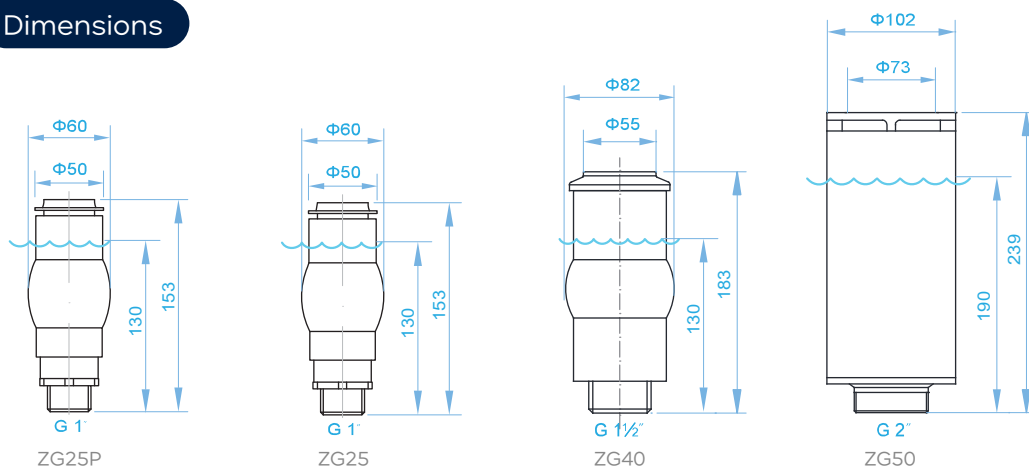


### Foam Nozzles Specifications

- Stainless steel shell (ZG25P)
- Stainless steel AISI 316 (ZG25, ZG40, ZG50)
- Foamy jet
- Water level dependent
- Optional swivel connector

Code	BSP. connection	Flow/Head	SPRAY HEIGHT (m)								
			0,5	0,75	1	1,50	2	3	4	5	6
ZG25P	1"	LPM	46	60	73	90	100	110	130	160	195
		Head in m	0,5	1	1,8	2,8	5	6	7	9	14
ZG25	1"	LPM	46	60	73	90	100	110	130	160	195
		Head in m	0,5	1	1,8	2,8	5	6	7	9	14
ZG40	1 1/2"	LPM	120	144	171	215	256	300	340	398	451
		Head in m	1	1,4	1,9	2,6	3,8	4,9	6	7,5	9,5
ZG50	2"	LPM			320	390	450	516	583	716	775
		Head in m			1,5	1,8	2,1	3,2	4,5	6	9

### Dimensions



# Rainbow Fountain

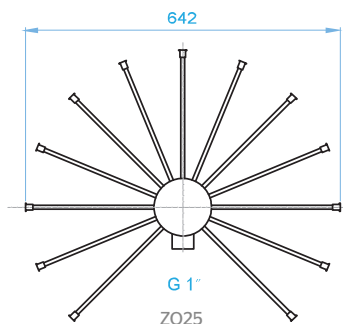
## SPHERE AND AERATED NOZZLES

### Sphere Nozzle

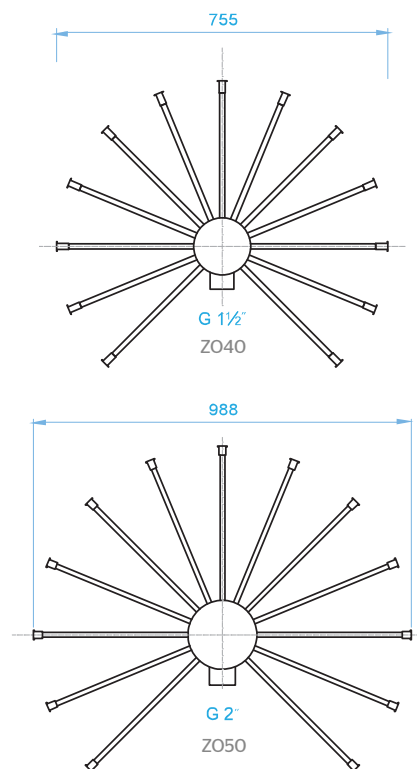


### Sphere Nozzles Specifications

- Stainless steel AISI 316 / Brass plated chrome
- Impressive water display
- Decorative high-grade steel sculpture
- Water level independent



### Dimensions

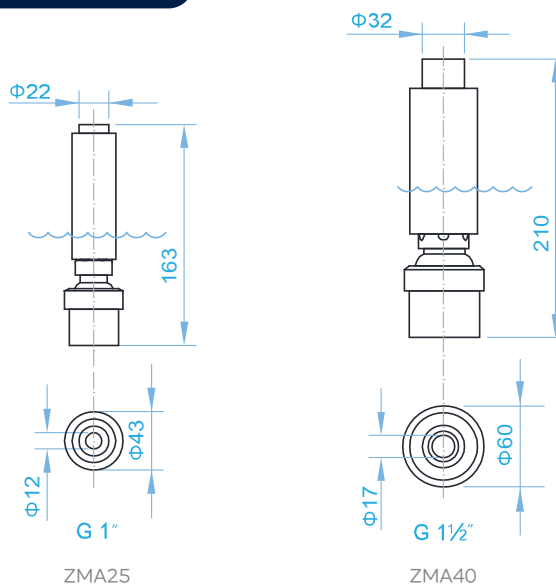


Code	BSP. connection	Flow/Head	SPRAY HEIGHT (m)	
			0,5	
ZO25	1"	LPM	140	
		Head in m	2,2	
ZO40	1 1/2"	LPM	202	
		Head in m	2,2	
ZO50	2"	LPM	350	
		Head in m	2,2	

### Aerated Nozzle



### Dimensions



### Aerated Nozzles Specifications

- Stainless steel AISI 316
- Easy to clean
- Water level dependent

Code	BSP. connection	Flow/Head	SPRAY HEIGHT (m)										
			0,5	0,75	1	1,50	2	2,5	3	4	5	6	7
ZMA25	1"	LPM	20	23	28	36	43	48	53	61	71		
		Head in m	0,5	1	1,1	1,8	2,5	3	3,8	5	6,5		
ZMA40	1 1/2"	LPM	40	48	55	72	80	92	100	110	120	130	180
		Head in m	1,8	2	2,2	3,2	4	4,5	5,2	6	7	8	12

# Rainbow Fountain

## VARIETY NOZZLE

### Variety Nozzle

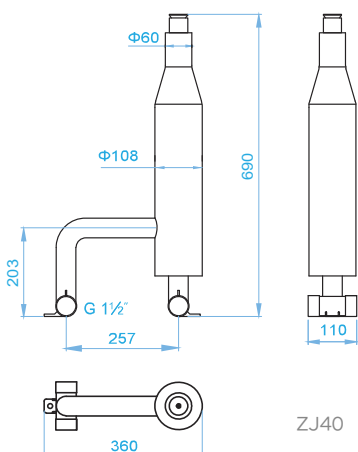


### Variety Nozzles Specifications

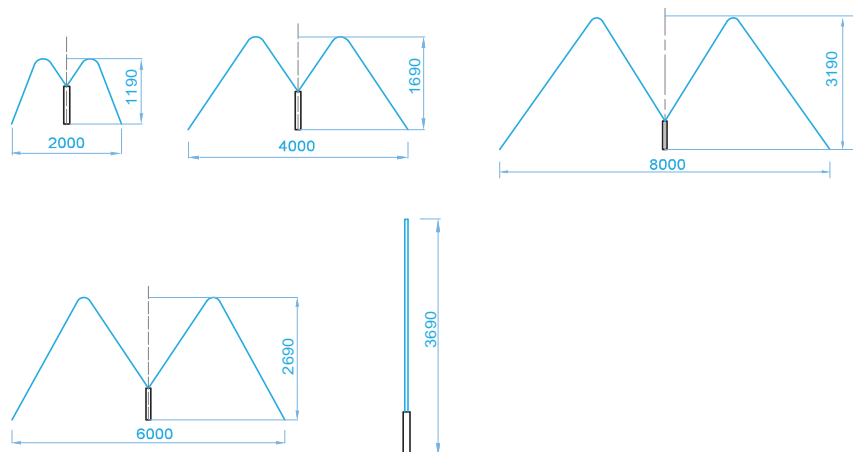
- The Variety jet creates a dynamic variable water pattern
- The nozzle is driven by two pumps controlled with VFD
- Compact robust stainless steel AISI 316 Nozzle
- 2 pressure connections
- Nozzle with DN40 nipple

Code	BSP. connection	Spray Pattern	Flow/Head	SPRAY HEIGHT (m)				
				0,5	1	2	2,5	3
ZJ40	1 1/2"	Water Bell	LPM	80	123	187	220	
			Head in m	1,5	3	5,7	7,4	
		Single Stream	LPM		111	170		220
			Head in m		4	6,5		9

### Dimensions



### Water Spray Effect



# Rainbow Fountain



## CASCADE NOZZLES

### Cascade Nozzle



ZB Series

ZBG Series

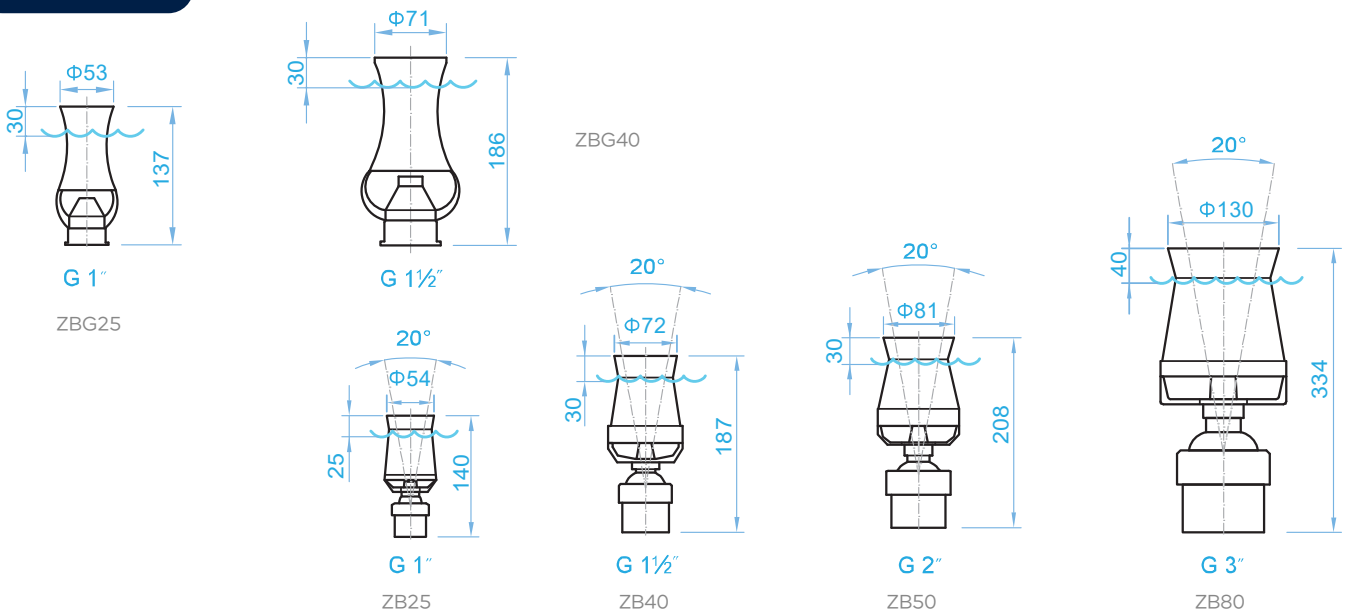


### Cascade Nozzles Specifications

- Stainless steel AISI 316
- Cone-shaped effect
- Foamy effect with rich mixture of air
- Water level dependent
- ZB series with adjustable spray angle

Code	BSP. connection	Flow/Head	SPRAY HEIGHT (m)													
			0,25	0,5	0,75	1	1,50	2	3	4	5	6	7	8	9	10
ZBG25	1"	LPM	35	40	50	55	65	75	80	90	103	130				
		Head in m	0,8	1	2	2,1	4	5,5	7	11	14	20				
ZBG40	1 1/2"	LPM	75	90	105	120	150	180	210	240	270	300	330			
		Head in m	1	1,5	2,5	3	4	6	9	12	14	17	20			
ZB25	1"	LPM	34	40	48	55	66	74	80	91	103	150				
		Head in m	0,5	1	1,5	2	4	5	7	9	11	21				
ZB40	1 1/2"	LPM	75	90	105	120	130	142	180	220	260	300	340			
		Head in m	1,5	2	3	4	5	6	10	15	20	25	30			
ZB50	2"	LPM	101	108	116	125	142	158	192	226	260	294	328	362		
		Head in m	2	2,5	3,5	4,5	5,5	7	11	15	19	23	27	31		
ZB80	3"	LPM				381	432	484	542	606	670	734	798	862	926	990
		Head in m				4	7	10	13	16	19	22	25	28	31	34

### Dimensions



# Rainbow Fountain

## FAN NOZZLES / FLAT NOZZLES

### Fan Nozzles



### Fan Nozzles Specifications

- Stainless steel AISI 316
- A fan shaped display
- Display a fan-shaped spray pattern with an angled installation.
- Water level independent

### Atecpool Fan Nozzles

Code	BSP. connection	Flow/Head	SPRAY HEIGHT (m)							
			0,5	0,75	1	1,50	2	2,5	3	4
ZN20	3/4"	LPM	30	34	36	50	62			
		Head in m	0,5	0,8	1,2	1,7	2,4			
ZN25	1"	LPM	45	64	72	95	110	138	150	
		Head in m	0,5	0,8	1,2	1,7	2,5	3,5	4,5	
ZN40	1 1/2"	LPM	59	92	97	120	142	175	190	220
		Head in m	0,5	0,8	1,2	1,7	2,5	3,5	4,5	5,5

### Flat Nozzles



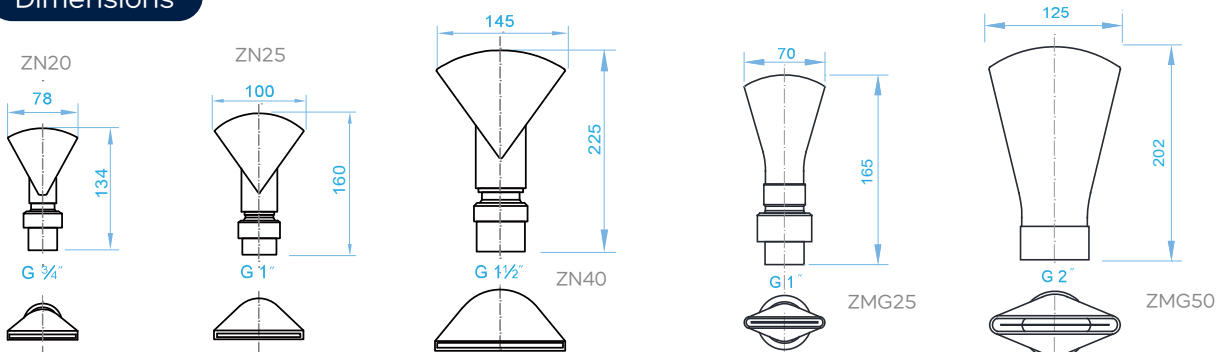
### Flat Nozzles Specifications

- Stainless steel AISI 316
- A fan shaped display
- Display an ideal parabolic spray pattern with an angled installation.
- Water level independent

### Atecpool Flat Nozzles

Code	BSP. connection	Flow/Head	SPRAY HEIGHT (m)					
			0,5	0,75	1	1,50	1,75	2
ZMG25	1"	SPB (spray width) in m	1	1,5	2	3	3,8	
		LPM	94	116	134	165	179	
		Head in m	0,6	1,1	1,3	1,9	2,3	
ZMG50	2"	SPB (spray width) in m	1,5		3	4		5,5
		LPM	167		234	267		367
		Head in m	0,5		1	1,5		2

### Dimensions



# Rainbow Fountain

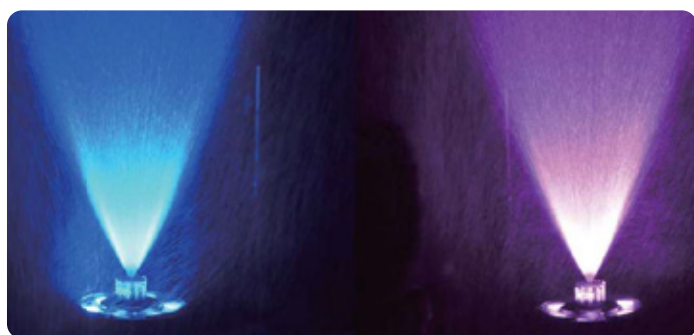


## WATER FOG AND WATER BELL NOZZLES

### Water Fog Nozzles



ZW15

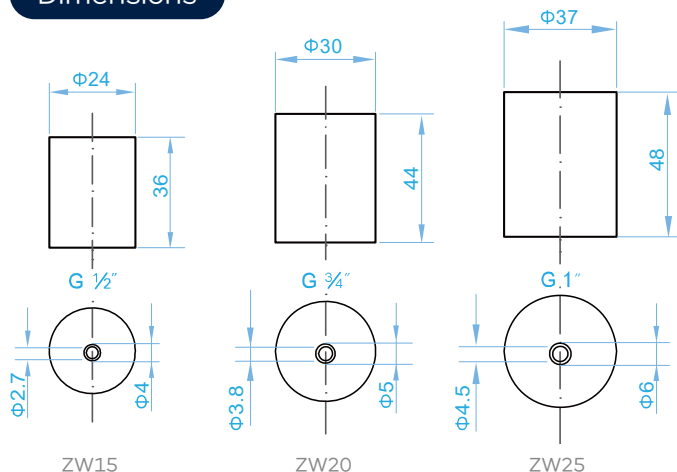


### Water Fog Nozzles Specifications

- Stainless steel AISI 316
- Misty romantic water display
- Water level independent

Code	BSP. connection	Flow/Head	SPRAY HEIGHT (m)						
			1	1,5	2	2,5	3	2,5	3
ZW15	1/2"	LPM	14	22	30			48	53
		Head in m	7	16	25			3	3,8
ZW20	3/4"	LPM	17	27	38			92	100
		Head in m	1	2	3			4,5	5,2
ZW25	1"	LPM	20	28	35	43	50		
		Head in m	10	17,5	25	33	40		

### Dimensions



### Water Bell Nozzles



ZMN25

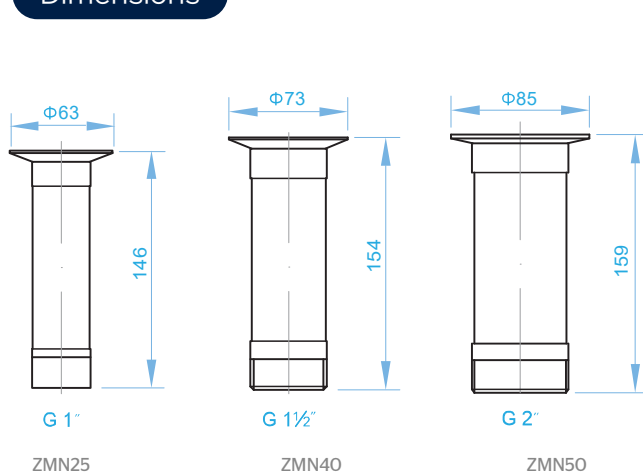


### Water Bell Nozzles Specifications

- Stainless steel AISI 316
- Transparent water film
- Adjustable bell diameter
- Silent running
- Water level independent

Code	BSP. connection	Flow/Head	SPRAY HEIGHT (m)		
			0,5	0,75	0,9
ZMN25	1"	LPM	18		
		Head in m			
ZMN40	1 1/2"	LPM		35	
		Head in m			
ZMN50	2"	LPM			38
		Head in m			

### Dimensions



# Rainbow Fountain

## CLUSTER NOZZLE

### ZP - Series Cluster Nozzle



### ZPT - Series Cluster Nozzle



### ZP - Series Specifications

- Stainless steel AISI 316 (ZP40,ZP50)
- Stainless steel AISI 316 / Brass plated chrome (ZP25)
- Precise full stream
- Multi-stepped water pattern
- Easy to clean
- Water level independent



### ZPT - Series Specifications

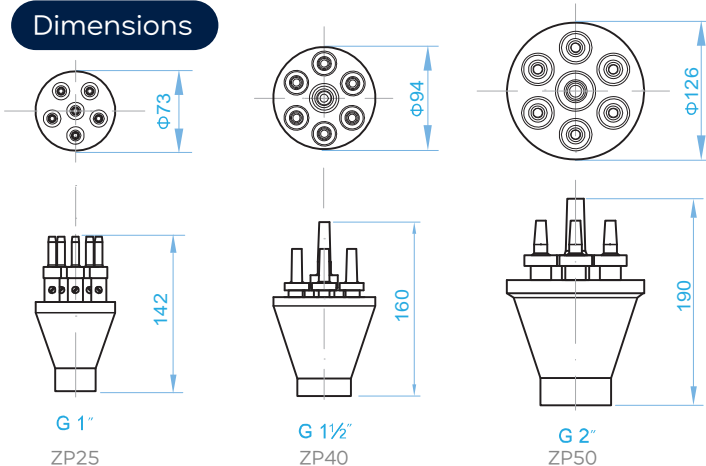
- Stainless steel AISI 316 / Brass plated chrome
- Precise full stream
- Multi-stepped water pattern
- Easy to clean
- Water level independent



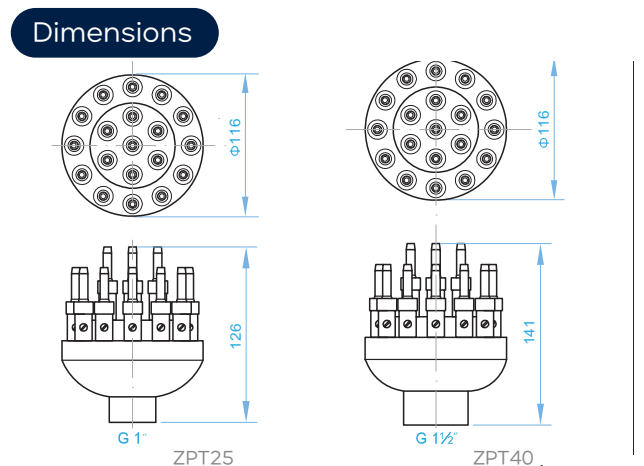
Code	BSP. connection	Flow/Head	SPRAY HEIGHT (m)							
			0,5	0,75	1	1,50	2	2,5	3	4
ZP25	1"	LPM	16	19	21	26	34	36	43	50
		Head in m	0,5	0,8	1	1,8	2,4	2,8	4	7
ZP40	1 1/2"	LPM	68	75	89	131	156	172	191	230
		Head in m	0,5	0,8	1	1,5	2	3	4,5	6
ZP50	2"	LPM	82	108	124	162	190	210	230	250
		Head in m	0,5	0,8	1	1,5	2	3	4	8

Code	BSP. connection	Flow/Head	SPRAY HEIGHT (m)					
			0,5	0,75	1	1,50	2	2,5
ZPT25	1"	LPM	50	66	68	85	110	120
		Head in m	0,5	1	1,2	2	3,5	4
ZPT40	1 1/2"	LPM	50	62	70	90	120	140
		Head in m	0,5	1	1,2	2	3,2	4

### Dimensions



### Dimensions



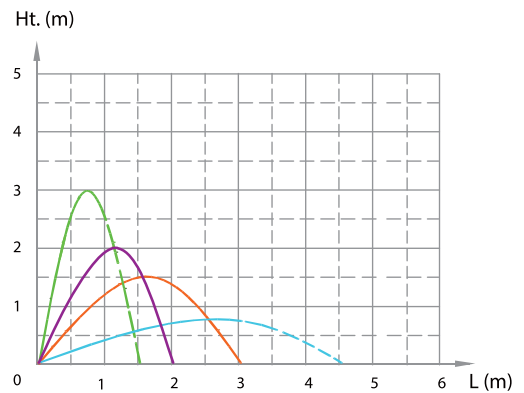
# Rainbow Fountain

## Z20-12 JUMPING JET

### Z20-12 Jumping Jet Nozzle



### Water Parabolas



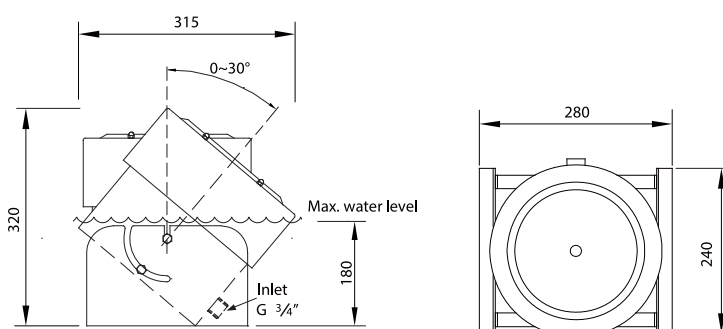
### Z20-12 Jumping Jet Specifications

- Effect: laminar water
- Function: cut off
- Orifice: 12mm
- Vertical pivoting range: 0~30°
- Max. pressure: 0.5bar
- Max. flow rate: 50l/min
- Max. water depth: 180mm
- Rated voltage of stepper motor: 24V DC
- Current of stepper motor: 2.1A
- Rated voltage of LED light: 24V DC
- Rated power of LED light: 3W
- Light type: LED RGB / white light
- Power cable for LED light: 3m STW 18AWG
- Power cable for stepper motor: 3m STW 18AWG
- Material: stainless steel AISI 316
- Weight: 20kg

### Example of application



### Dimensions



Characteristics	Z20-12
Rated voltage	24V DC
LED rated power	3W
Power Cable	3m STW 18AWG
Vertical pivoting range	0~30°
Weight	20kg
Orifice	12 mm
Max flow rate	50 ltr/min
Material	Stainless Steel

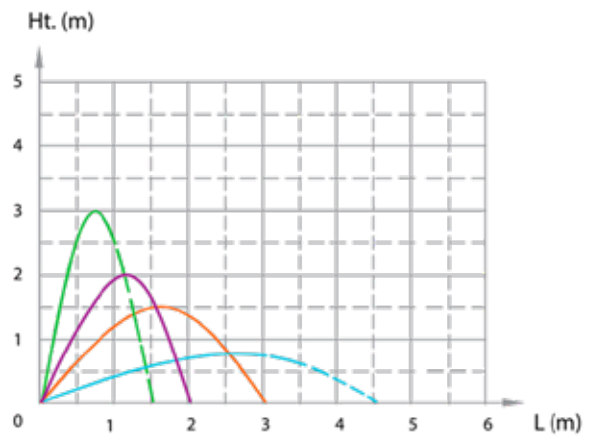
# Rainbow Fountain

## Z20-12 LAMINAR JET

### Z20-12 Laminar Jet Nozzle



### Water Parabolas



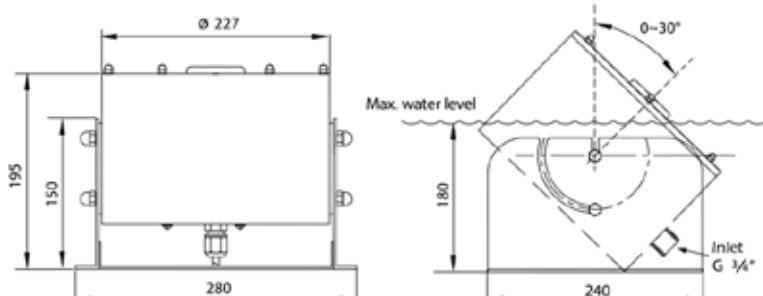
### Z20L-12 Laminar Jet Specifications

- Effect: laminar water
- Orifice: 12mm
- Vertical pivoting range: 0 ~ 30°
- Max. pressure: 0.5bar
- Max. flow rate: 50 l/min
- Max. water depth: 180mm
- Rated voltage of LED light: 24V DC
- Rated power of LED light: 3W
- Light type: LED RGB / white light
- Power cable for LED light: 3m STW 18AWG
- Material: stainless steel AISI 316
- Weight: 17kg

### Example of application



### Dimensions



Characteristics	Z20L-12
Rated voltage	24V DC
LED rated power	3W
Power Cable	3m STW 18AWG
Vertical pivoting range	0~30°
Weight	17kg
Orifice	12 mm
Max flow rate	50 ltr/min
Material	Stainless Steel

# Rainbow Fountain



## LED FOAM EFFECT NOZZLE

### LED Foam Effect Nozzle

Color Cascade Bubbler nozzle with LED provides vivid mix of color or elegant white. Perfect showcasing for water features at entrance and for step water features. Low voltage and minimal water flow requirement make them an ideal energy efficient additions to waterscapes.



### LED Foam Effect Nozzle Specification

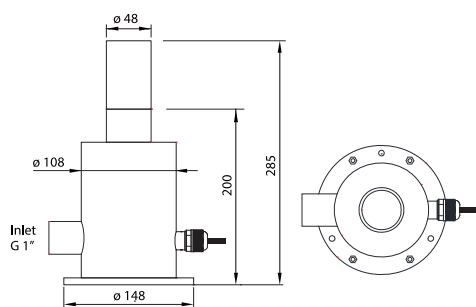
- Located 50mm under water level
- Light type: LED RGB / white light
- Rated voltage: 24 V DC
- Rated power 3W
- Weight 3.6kg
- Power cable for LED light 3m STW 18AWG
- Stainless steel AISI 316 construction with Acrylic nozzle

### Example of application



Code	BSP. connection	Flow/Head	SPRAY HEIGHT (m)				
			0,15	0,25	0,35	0,5	0,6
ZFL 35-40	1"	LPM	40	50	58	65	72
		Head in m	1,5	2,1	2,9	3,7	4,6

### Dimensions



ZFL 35-40

### ZFL 35-40 LED Foam Nozzle

Characteristics	ZFL 35-40
Rated voltage	24V DC
LED rated power	3W
Power Cable	3m STW 18AWG
Weight	3,6kg
Material	Stainless Steel 316 with Acrylic Nozzle

# Rainbow Fountain

## DECK JET

### Circular / Square Deck Jets



ZDJ25C



ZDJ35S

Flush mounted Deck Jet Nozzle in two shapes, Circular and Square. Nozzle assembly with 360 deg illuminating LED includes different spray effect upon selection of nozzle ( Column or Angle Ring ). LED-Nozzle assembly suitable for dry deck fountain where there is no visible water body but sprayed from nozzles and drained through grate cover surrounding the nozzle assembly.

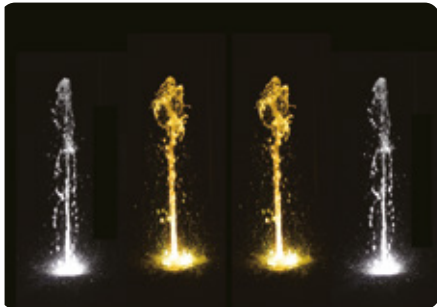
### Deck Jet Specifications

- ➔ Shape: Circular or Square suspended Deck Jets
- ➔ Construction: AISI 316 Stainless Steel
- ➔ Central Interchangeable Flush Nozzle: Column Nozzle / Angle Ring Nozzle
- ➔ Fixing: Designed for mount and anchored on paver.
- ➔ LED light cable: 3m STW 18AWG
- ➔ LED Light Type: Three Types  
Type 1: AYP36WW/CW (3000K/ 6000K)  
Type 2: AYP36RGB (RGB 3 in 1)  
Type 3: DMX182RGB (RGB 4 in 1)
- ➔ Drain: Pre-attached to nozzle assembly.

### Deck Jet Column Nozzle ZDJ25C / ZDJ35S

Code	BSP. connection	Flow/Head	SPRAY HEIGHT (m)							
			1	1,5	2	2,5	3	3,5	4	
ZDJ25C or ZDJ35S	1"	LPM	25	30	35	40	45	60	65	
		Head in m	1,5	2,5	3	3,5	5	5,5	7	

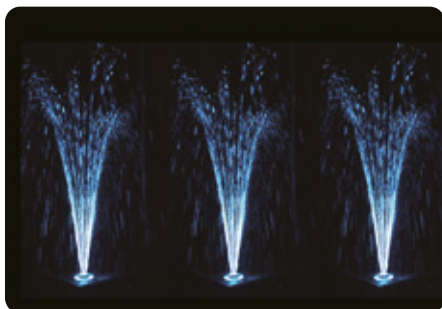
### Column Nozzle Performance



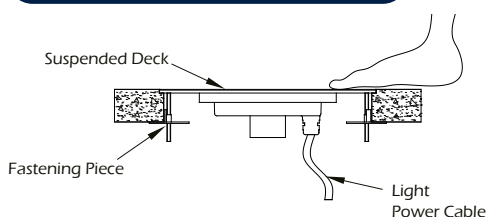
### Deck Jet Angle Ring Nozzle ZDJ25C / ZDJ35S

Code	BSP. connection	Flow/Head	SPRAY HEIGHT (m)					
			1	1,5	2	2,5	3	3,5
ZDJ25C or ZDJ35S	1"	LPM	20	25	30	35	40	45
		Head in m	1	1,7	2,5	3,5	4,5	5,5

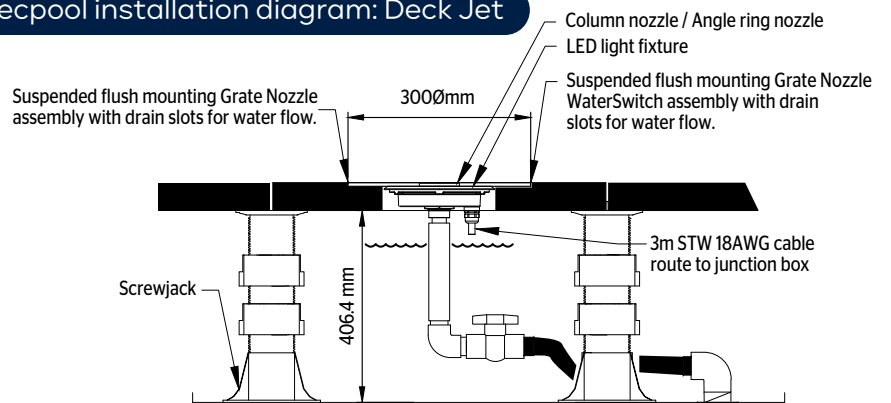
### Angle Ring Nozzle Performance



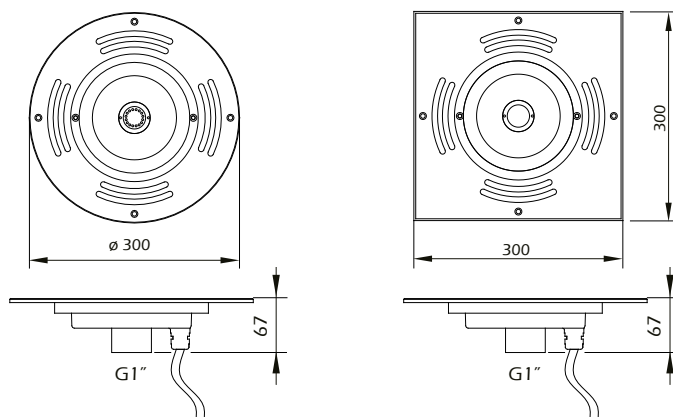
### Nozzle mounted on paver



### Atecpool installation diagram: Deck Jet



### Dimensions



# Rainbow Fountain

## DECK JET WITH WATERSWITCH



### Circular / Square Deck Jets with WaterSwitch

Flush mounted Deck Jet Nozzle in two shapes, Circular and Square. Nozzle assembly with 360 deg illuminating LED includes programmable (on-off) Waterswitch spray effect. LED-Nozzle assembly suitable for dry deck fountain where there is no visible water body but sprayed from nozzles and drained through grate cover surrounding the nozzle assembly.



ZDJWS25C



ZDJWS35S

### Atecpool Deck Jet + WaterSwitch Specifications

- ➔ Shape: Circular or Square suspended Deck Jets with WaterSwitch
- ➔ Deck Jet Construction: AISI 316 Stainless Steel
- ➔ WaterSwitch Construction: ABS with AISI 316 stainless steel mount
- ➔ Central Interchangeable Flush Nozzle: Column Nozzle/Angle Ring Nozzle
- ➔ LED Light Type: Three Types  
Type 1: AYP36WW/CW (3000K/ 6000K)  
Type 2: AYP36RGB (RGB 3 in 1)  
Type 3: DMX182RGB (RGB 4 in 1)
- ➔ Drain: Pre-attached to nozzle assembly.
- ➔ Fixing: Designed for mount and anchored on paver.
- ➔ LED light cable: 3m STW 18AWG

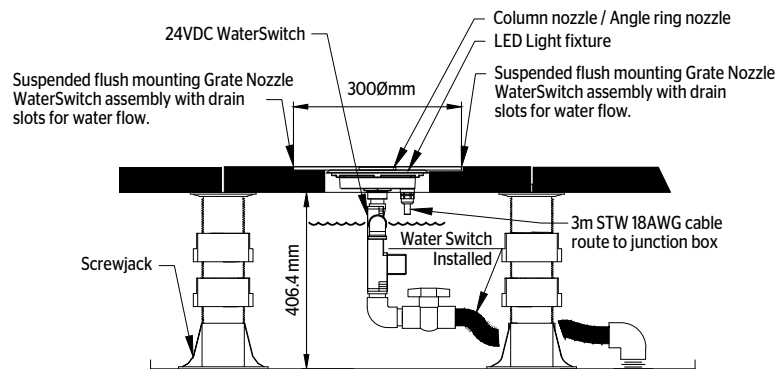
### Deck Jet with WaterSwitch Column Nozzle ZDJWS25C / ZDJWS35S

Code	BSP. connection	Flow/Head	SPRAY HEIGHT (m)								
			1	1,5	2	2,5	3	3,5	4	4,5	5
ZDJWS25C or ZDJWS35S	1"	LPM	33	40	46	50	56	61	69	72	75
		Head in m	6	8,5	11	13,5	14,5	18,5	23	25	26,5

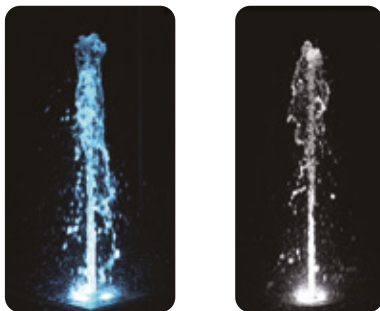
### Deck Jet with WaterSwitch Angle Ring Nozzle ZDJWS25C / ZDJWS35S

Code	BSP. connection	Flow/Head	SPRAY HEIGHT (m)				
			0,5	1	1,5	2	2,5
ZDJWS25C or ZDJWS35S	1"	LPM	25	37	50	55	63
		Head in m	4	7	12	14	16

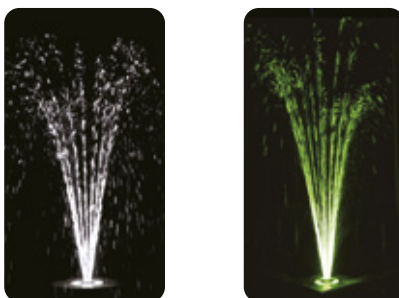
### Atecpool installation diagram: Deck Jet + Water Switch



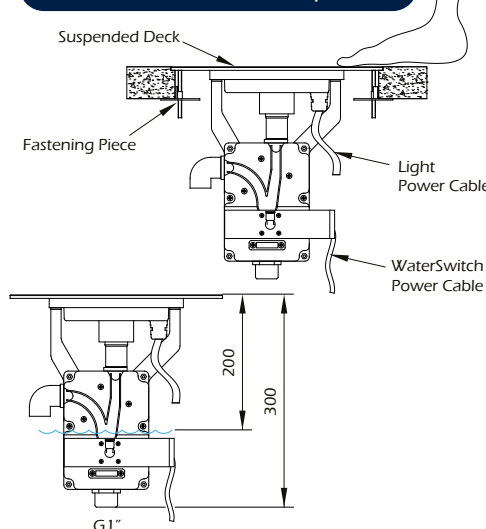
### Column Nozzle Performance



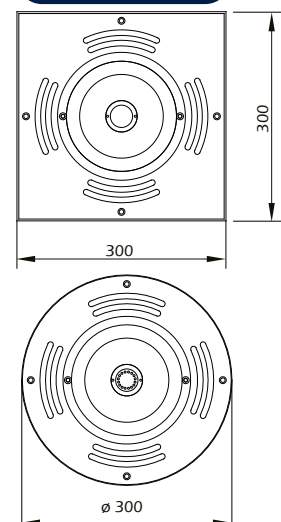
### Angle Ring Performance



### Nozzle mounted on paver



### Dimensions

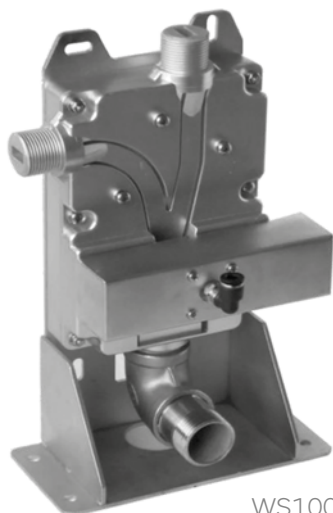


# Rainbow Fountain

## WATERSWITCH

### WS1000/ WS1500 WaterSwitch

WaterSwitch is a special shifter which can produce dynamic spray variation, designed and engineered for fast acting, electrically operated directional water changing assembly. WaterSwitch allows on-off programming of an attached spray nozzle. Interactive fountain displays with programmable WaterSwitch gives various harmonious water effects.



WS1000

### WaterSwitch Specifications

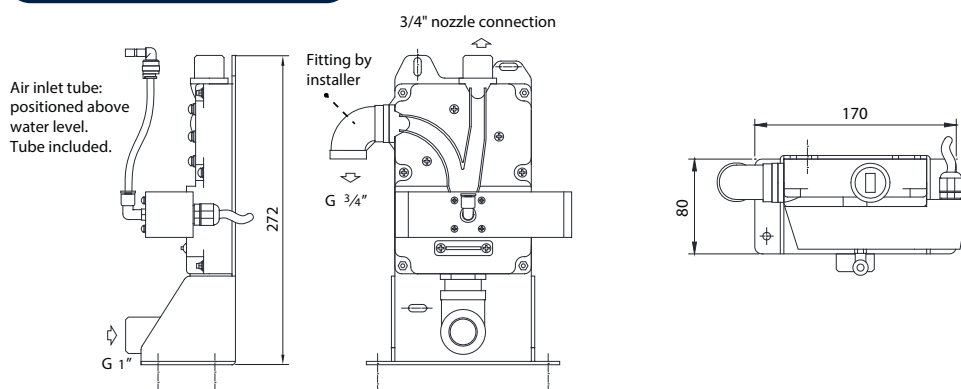
- Construction : ABS with AISI 316 stainless steel mount
- 24V DC 10W Solenoid valve, actuation speed up to 1 /12 second
- WS1000 with Inlet Connection 1" and two Discharge Connections of 3/4".
- Can be mounted on ground or suspended on horizontal or vertical bracket
- WS1500 with Inlet Connection 1.5" and two Discharge Connections of 1.5".
- 3 meter cable SJTOW 18AWG

Code	Description	Inlet	Outlet (2 nos)
WS1000	WaterSwitch 24V DC/10W	1"	3/4"
WS1500	WaterSwitch 24V DC/10W	1.5"	1.5"

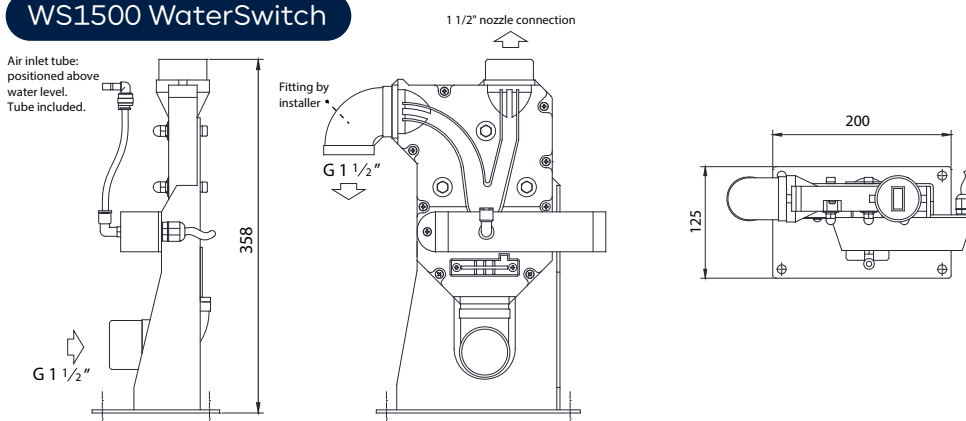
Characteristics	WS1000	WS1500
Rated voltage	24V DC	24V DC
Power Consumption	10W	10W
Power Cable	3m STW 18/ 3AWG	3m STW 18/ 3AWG
Switching Speed	1/12 seconds	1/12 seconds
Weight	2.9kg	3.8kg
Inlet connection	1"	1.5"
Outlet connection (2 nos)	3/4"	1.5"

### Dimensions

#### WS1000 WaterSwitch



#### WS1500 WaterSwitch



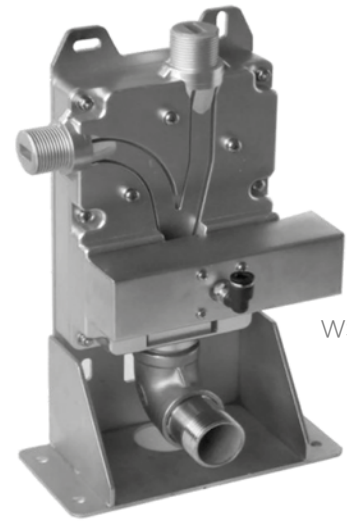
# Rainbow Fountain



## WATERSWITCH ASSEMBLY

### WaterSwitch WS1000 Assembly

WaterSwitch assembly requires nozzle, pump and control systems. Assembly can also include Ring Fountain LED. Fine screening of nozzles is required and mesh size of 0.4 mm or smaller required for debris removal at nozzle.



WS1000



### WaterSwitch WS1000 with Finger Nozzle

Code	BSP. connection	Flow/Head	SPRAY HEIGHT (m)					
			0,5	1	1,5	2	2,5	3
ZR25	1"	LPM	24	35	50	55	60	70
		Pressure demand (bar)	0,2	0,7	1,2	1,6	1,9	2,6



### WaterSwitch WS1000 with Comet Nozzle

Code	BSP. connection	Flow/Head	SPRAY HEIGHT (m)						
			1	1,5	2	3	4	5	6
ZF 25-12	1 "	LPM	25	34	37	47	58	68	75
		Pressure demand (bar)	0,5	0,6	0,8	1,2	1,8	2,4	3
ZF 40-13	1.5"	LPM	33	40	47	60	70	80	
		Pressure demand (bar)	0,5	0,8	1,1	1,7	2,2	2,8	
ZF 40-16	1.5"	LPM	44	52	60	78			
		Pressure demand (bar)	1	1,5	2	3			



### WaterSwitch WS1000 with Foam Nozzle

Code	BSP. connection	Flow/Head	SPRAY HEIGHT (m)							
			0,5	1	1,5	2	2,5	3	3,5	4
ZM 15	1/2"	LPM	21	33	40	46	52	59	65	70
		Pressure demand (bar)	0,3	0,6	0,9	1,2	1,4	1,8	2,2	2,5
ZM 20	3/4"	LPM	26	37	44	50	55	63	78	
		Pressure demand (bar)	0,4	0,7	1	1,4	1,7	2,1	3	
ZM 25	1"	LPM	42	60	70					
		Pressure demand (bar)	1	2	2,6					

# Rainbow Fountain

## WATERSWITCH ASSEMBLY

### WaterSwitch WS1500 Assembly

WaterSwitch assembly requires nozzle, pump and control systems. Assembly can also include Ring Fountain LED. Fine screening of nozzles is required and mesh size of 0.4 mm or smaller required for debris removal at nozzle.



### WaterSwitch WS1500 with Annular Nozzle



Code	BSP. connection	Flow/Head	SPRAY HEIGHT (m)					
			1	2	3	4	5	3
ZA 25	1"	LPM			90	107	150	70
		Pressure demand (bar)			1	1,3	2,2	2,6
ZA 40	1.5"	LPM		80	95	112		
		Pressure demand (bar)		0,8	1,1	1,4		

### WaterSwitch WS1500 with Comet Nozzle



Code	BSP. connection	Flow/Head	SPRAY HEIGHT (m)						
			4	4,5	5	6	7	8	9
ZF 40-13	1.5"	LPM	90	97	117	125	135	155	190
		Pressure demand (bar)	1	1,1	1,5	1,7	1,9	2,3	3,4
ZF 40-16	1.5"	LPM	100	115	123	130	150	190	220
		Pressure demand (bar)	1,25	1,5	1,6	1,85	2,15	3,4	4,2

### WaterSwitch WS1500 with Foam Nozzle



Code	BSP. connection	Flow/Head	SPRAY HEIGHT (m)								
			0,5	0,75	1	1,5	2	2,5	3	3,5	4
ZM 20	3/4"	LPM						90	100	106	111
		Pressure demand (bar)						1	1,1	1,2	1,4
ZM 25	1"	LPM	80	92	100	110	125	140	154	162	
		Pressure demand (bar)	0,8	1,1	1,3	1,5	1,7	1,9	2,3	2,7	
ZM 40	1.5"	LPM	82	108	120	140	160	190			
		Pressure demand (bar)	0,8	1,4	1,65	2	2,4	3,4			

# Rainbow Fountain



## LIGHTING

### Fountain Ring LED - AYP and AY Pro Series



AYP Series



AY Pro Series

Atecpool AYP and AY Pro Series is the ultimate lighting solution for all animated fountains. The ring lights spot a G 1.5" threaded connection at its centre where a nozzle can be directly attached. With a 10mm thick tempered glass cover and a IK rating of 9, the underwater ring light is perfect fixture when used totally immersed in water fountains. AYP Series lights can be programmed to dim, colour- change and synchronize to create infinite combinations of kaleidoscopic displays. AYP series is designed exclusively for underwater use. For dry deck installations, select AY Pro Series instead.



### Specifications

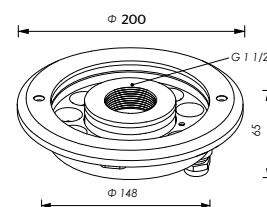
- ➔ Housing: Stainless Steel AISI 316 grade.
- ➔ Gasket: silicone gasket
- ➔ Light Window: step tempered glass T=10mm.
- ➔ Cable gland: IP-68 PG-11 copper with nickel-coated.
- ➔ IK rate: 09
- ➔ Power cable: 3m STW 18AWG
- ➔ PCB: excellent heat conductivity aluminum, coefficient of heat conductivity > 2.0w/mk
- ➔ Application environment: Water temp. between -20C° ~ 50C° less than 1 meter depth
- ➔ Underwater lighting fixture, to be submerged for AYP series
- ➔ For dry deck application select AY Pro series



### AYP27 and AYP36 Specifications

Code	Description	Beam Angle	Input Voltage	Power	Lumen	Color Temperature
			(V)	(W)	(lm)	
<b>AYP27WW</b>	AYP 9 LED Warm White	30°	12V AC	9x3	1880	3000K / Warm White
<b>AYP27CW</b>	AYP 9 LED Cool White	30°	12V AC	9x3	2120	6500K / Cool White
<b>AYP27RGB</b>	AYP 9 LED RGB	30°	24V DC	9x3	1450	RGB (3 in 1)
<b>AYP36WW</b>	AYP 12 LED Warm White	30°	12V AC	12x3	2600	3000K / Warm White
<b>AYP36CW</b>	AYP 12 LED Cool White	30°	12V AC	12x3	3300	6500K / Cool White
<b>AYP36RGB</b>	AYP 12 LED RGB	30°	24V DC	12x3	1750	RGB (3 in 1)

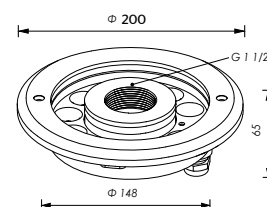
### Dimension for AYP



### AY Pro Specifications

Code	Description	Beam Angle	Input Voltage	Power	Lumen	Color Temperature
			(V)	(W)	(lm)	
<b>AYPRO24WW</b>	AY Pro 12 LED Warm White	25°	24V DC	12x2	1610	3000K / Warm White
<b>AYPRO24CW</b>	AY Pro 12 LED Cool White	25°	24V DC	12x2	2067	6500K / Cool White

### Dimension for AY PRO



# Rainbow Fountain

## LIGHTING

### Fountain Ring LED - DMX Series



DMX182RGB

Atecpool DMX Series, DMX controlled light is the top end lighting solution for all animated fountains. The ring lights spot a G 1 1/2" threaded connection at its centre where a nozzle can be directly attached. With a 10mm thick tempered glass cover and a IK rating of 9, the underwater ring light is perfect fixture for dry deck fountains. DMX Series lights can be programmed with DMX512 / RDM signals to dim, colour- change and synchronize to create infinite combinations of kaleidoscopic displays.



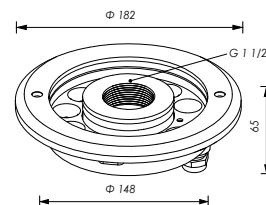
### Specifications

- Housing: Stainless Steel AISI 316 grade.
- Light Window: step tempered glass. T=10mm.
- Cable gland: IP-68 PG-11 copper with nickel-coated.
- PCB: excellent heat conductivity aluminum, coefficient of heat

conductivity  $\geq 2.0w/mk$ .

- Application environment: water temperature between  $-20C^{\circ} \sim 50C^{\circ}$  less than 1 meter depth.
- Power cable: 3m STW 18AWG
- IK rate: 9
- Signal type: DMX512/RDM signal

### Dimensions DMX182RGB



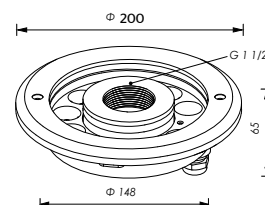
### Illuminance at a distance DMX182RGB

Distance (m)	Center Beam (LUX)	Angle	Beam Width	
			(V)	(H)
2m	1124.77 LUX		0.8m	0.8m
4m	281.19 LUX		1.6m	1.7m
6m	124.97 LUX		2.4m	2.5m
8m	70.30 LUX		3.3m	3.3m
10m	44.99 LUX		4.1m	4.1m
12m	31.24 LUX		4.9m	5.0m

### Illuminance at a distance DMX200RGB

Distance (m)	Center Beam (LUX)	Angle	Beam Width	
			(V)	(H)
2m	1124.77 LUX		0.8m	0.8m
4m	281.19 LUX		1.6m	1.7m
6m	124.97 LUX		2.4m	2.5m
8m	70.30 LUX		3.3m	3.3m
10m	44.99 LUX		4.1m	4.1m
12m	31.24 LUX		4.9m	5.0m

### Dimensions DMX200RGB



Code	Description	Beam Angle	Input Voltage	Typical Operating Current	Typical Consumption	Typical luminance	IK rate
DMX182RGB	DMX 6x4W RGBW 4in1 Full color	25°	24V DC	916 (mA)	22 (W)	1127 (lm)	9
DMX200RGB		25°	24V DC	916 (mA)	22 (W)	1127 (lm)	9

# Rainbow Fountain

## LIGHTING

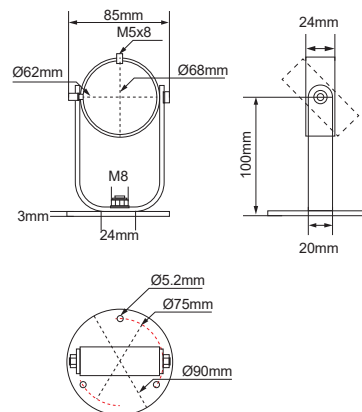
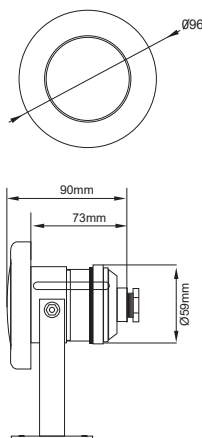


### Atecpool Lumina Fountain LED Panel Lighting S.S. 316

Lumina Fountain lighting in stainless steel AISI 316 construction. Supplied with S.S. Stand. Fully resin filled panel LED offering sixteen colour changing function in RGB mode. Light available in RGB, Cool White, Warm White and Blue colour options. RGB Lights are synchronized using Atecpool LED Modulators with remote control system. Maximum power consumption of 9W and can be connected to a 12V/AC transformer.



20555 RGB



#### Specifications

- ➔ Electrical Connection: 12V AC
- ➔ Complete with 2 core 2x1.0 mm<sup>2</sup> cable
- ➔ Material of construction: S.S. AISI 316L
- ➔ Protection Class: IP68
- ➔ Lamp Life: Approx. 60.000 hrs
- ➔ Supplied with 2m cable
- ➔ 16 programs with synchronized capability

#### Features

- ➔ Consumes 90% less energy than traditional lighting.
- ➔ Eco-friendly, no radiation.
- ➔ Low power consumption, low heat dissipation.
- ➔ Light transmission rate up to 92%.
- ➔ PWM technology adopted
- ➔ Adjustable angle stand AISI 316

#### LED Modulator



**2 CORE**  
connection  
-WITH REMOTE CONTROL-



Easy Colour  
Picker



Fast Return on  
Investment



International  
Safety Tested  
IEC EN 60598-2-18

Code	Description	Power / Voltage	Lumen	Color Temperature
			(lm)	
<b>20555RGB</b>	Lumina Fountain LED S.S RGB	9W / 12V	400	RGB 16 Mode
<b>20555CW</b>	Lumina Fountain LED S.S Cool White	9W / 12V	720	6500K
<b>20555WW</b>	Lumina Fountain LED S.S Warm White	9W / 12V	640	3000K
<b>20555B</b>	Lumina Fountain LED S.S Blue	9W / 12V	220	Single Blue



2 years  
warranty

## Atecpool Fountain LED Lighting

### Lumina Fountain LED Lighting Stainless Steel 316



# Fountain Spot and XL Series LED



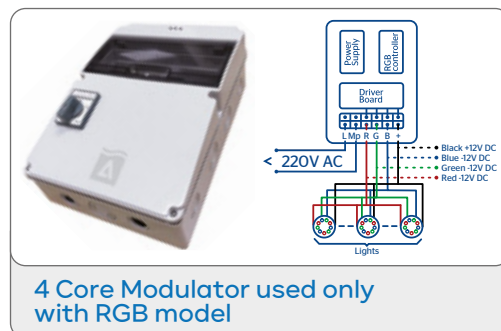
## STAINLESS STEEL 316

### Atecpool Fountain LED Lights - Spot and XL Series

Ideal for use in fountains, ponds, cascades and illumination of water based landscape features. Construction in AISI 316 Stainless Steel. Waterproof IP68. Available in cool white, warm white, red, green, blue and RGB.

#### Specifications

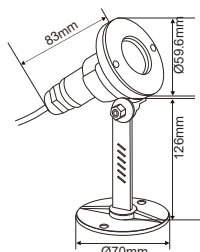
- ➔ Driver: constant current output
- ➔ Application environment: Temperature of water between 20°C - 40°C
- ➔ Single colour LED = 1 circuit output: RGB 3 in 1 LED=3 circuit output
- ➔ Power cable: H07RN-F 2X1.0 mm<sup>2</sup> L=3m (for single colour)H07RN-F 4X0.75 mm<sup>2</sup> L=3m (RGB)
- ➔ IP range: IP68
- ➔ Lifespan: > 50000 hrs



#### Fountain Spot LED Light



ATZ1573 CW



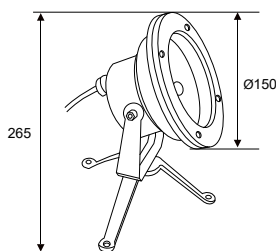
Code	Description	Power / Voltage	Lumen
ATZ1573 CW	Fountain Spot LED Cool White	1x3W / 12V AC	280
ATZ1574 WW	Fountain Spot LED Warm White	1x3W / 12V AC	190
ATZ1575 R	Fountain Spot LED Red	1x3W / 12V AC	60
ATZ1575 G	Fountain Spot LED Green	1x3W / 12V AC	80
ATZ1575 B	Fountain Spot LED Blue	1x3W / 12V AC	55
ATZ1578 RGB	Fountain Spot LED RGB	1x3W / 24V DC	145

Color temperature: Cool white: 6500K, Warm white: 3000K

#### Fountain XL 6 LED Light

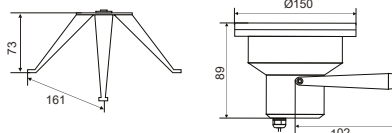


ATZ1577 CW



Code	Description	Power / Voltage	Lumen
ATZ1577 CW	Fountain 6 LED XL Series Cool White	6x3W / 12V AC	1750
ATZ1578 WW	Fountain 6 LED XL Series Warm White	6x3W / 12V AC	1400
ATZ1579 R	Fountain 6 LED XL Series Red	6x3W / 12V AC	440
ATZ1579 G	Fountain 6 LED XL Series Green	6x3W / 12V AC	470
ATZ1579 B	Fountain 6 LED XL Series Blue	6x3W / 12V AC	380
ATZ1580 RGB	Fountain 6 LED XL Series RGB	6x3W / 24V DC	925

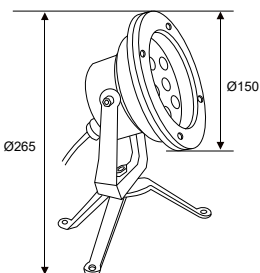
Color temperature: Cool white: 6500K, Warm white: 3000K



#### Fountain XLS 9 LED Light

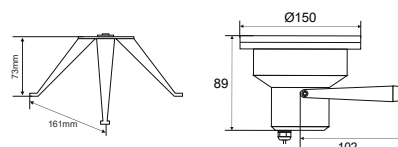


ATZ1581 CW



Code	Description	Power / Voltage	Lumen
ATZ1581 CW	Fountain 9 LED XLS Series Cool White	9x3W / 12V AC	2100
ATZ1582 WW	Fountain 9 LED XLS Series Warm White	9x3W / 12V AC	1880
ATZ1583 R	Fountain 9 LED XLS Series Red	9x3W / 12V AC	680
ATZ1583 G	Fountain 9 LED XLS Series Green	9x3W / 12V AC	770
ATZ1583 B	Fountain 9 LED XLS Series Blue	9x3W / 12V AC	660
ATZ1584 RGB	Fountain 9 LED XLS Series RGB	9x3W / 24V DC	1450

Color temperature: Cool white: 6500K, Warm white: 3000K



# Fountain CL and CLS Series LED



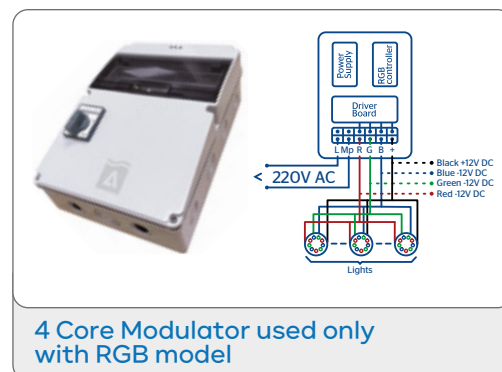
## STAINLESS STEEL 316

### Atecpool Fountain LED Lights - CL and CLS Series

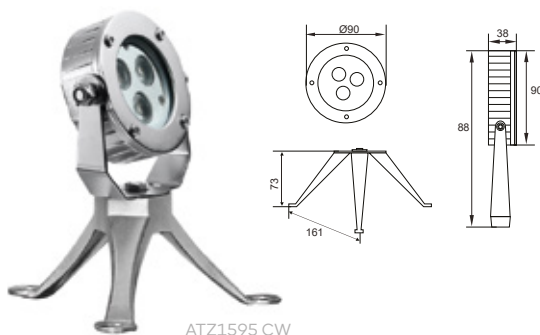
Ideal for use in fountains, ponds, cascades and illumination of water based landscape features. Construction in AISI 316 Stainless Steel. Waterproof IP68. Available in cool white, warm white, red, green, blue and RGB.

#### Specifications

- Driver: constant current output
- Single colour LED = 1 circuit output: RGB 3 in 1 LED=3 circuit output
- IP range: IP68
- Lifespan: > 50000 hrs
- Application environment: Temperature of water between 20°C - 40°C
- Power cable: H07RN-F 2X1.0 mm<sup>2</sup> L=3m (for single colour) H07RN-F 4X0.75 mm<sup>2</sup> L=3m (RGB)



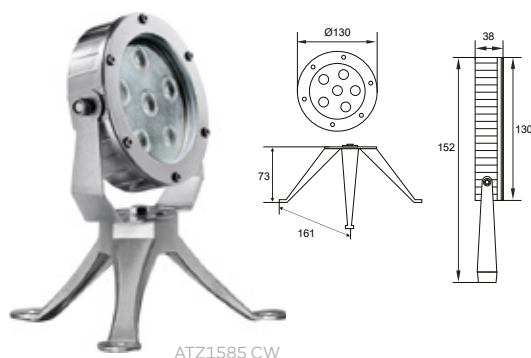
#### Fountain CL 3 LED Light



Code	Description	Power / Voltage	Lumen
ATZ1595 CW	Fountain CL 3 LED Cool White	3x3W / 12V AC	720
ATZ1596 WW	Fountain CL 3 LED Warm White	3x3W / 12V AC	640
ATZ1597 R	Fountain CL 3 LED Red	3x3W / 12V AC	345
ATZ1597 G	Fountain CL 3 LED Green	3x3W / 12V AC	390
ATZ1597 B	Fountain CL 3 LED Blue	3x3W / 12V AC	280
ATZ1598 RGB	Fountain CL 3 LED RGB	3x3W / 24V DC	450

Color temperature: Cool white: 6500K, Warm white: 3000K

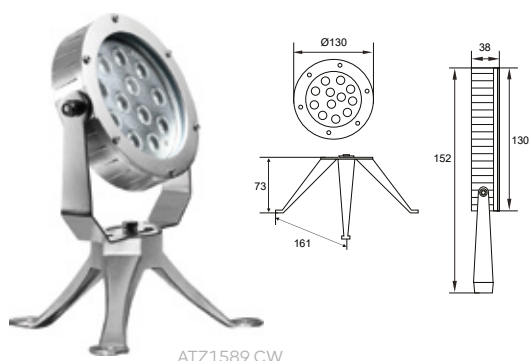
#### Fountain CL 6 LED Light



Code	Description	Power / Voltage	Lumen
ATZ1585 CW	Fountain CL 6 LED Cool White	6x3W / 12V AC	1750
ATZ1586 WW	Fountain CL 6 LED Warm White	6x3W / 12V AC	1400
ATZ1587 R	Fountain CL 6 LED Red	6x3W / 12V AC	440
ATZ1587 G	Fountain CL 6 LED Green	6x3W / 12V AC	470
ATZ1587 B	Fountain CL 6 LED Blue	6x3W / 12V AC	380
ATZ1588 RGB	Fountain CL 6 LED RGB	6x3W / 24V DC	925

Color temperature: Cool white: 6500K, Warm white: 3000K

#### Fountain CLS 12 LED Light



Code	Description	Power / Voltage	Lumen
ATZ1589 CW	Fountain CLS 12 LED Cool White	12x3W / 12V AC	3300
ATZ1590 WW	Fountain CLS 12 LED Warm White	12x3W / 12V AC	2600
ATZ1591 R	Fountain CLS 12 LED Red	12x3W / 12V AC	880
ATZ1591 G	Fountain CLS 12 LED Green	12x3W / 12V AC	950
ATZ1591 B	Fountain CLS 12 LED Blue	12x3W / 12V AC	790
ATZ1592 RGB	Fountain CLS 12 LED RGB	12x3W / 24V DC	1750

Color temperature: Cool white: 6500K, Warm white: 3000K

# Fountain CLX HP Series LED



## STAINLESS STEEL 316



CLX36W

### Atecpool Fountain LED Lights - CLX HP Series

Atecpool CLX HP stand spot light series offers unparalleled flexibility to match your creativity. The sturdy tripod design does not topple easily even when water movement is very agitated. The CLX HP Series comes in 12x3W (single color) and 6x5W (RGB) to suit a wide variety of applications and can be programmed to dim, colour-change and synchronize to create infinite combinations of kaleidoscopic displays.

### Atecpool Fountain LED Lights - CLX HP Series Specifications

- Housing: Stainless Steel AISI 316
- Front cover: hard chrome plated stainless steel AISI 316
- Light Window: PMMA 8mm
- Gasket: silicone gasket
- Cable gland: IP-68 PG-11 copper with nickel-coated
- PCB: excellent heat conductivity aluminum, coefficient of heat conductivity  $\geq 2.0\text{w/mk}$
- Application environment: temperature of water between  $-20^{\circ}\sim 50^{\circ}\text{C}$  less than 1 meter depth
- Power cable: 3m STW 18AWG

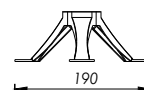
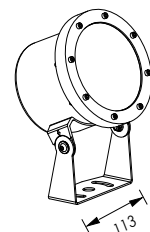


### Illuminance at a distance CLX36W

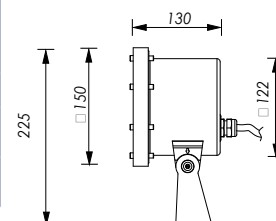
Distance m	Center Beam LUX	Angle	Beam Width	
			V	H
2m	2082.77 LUX		1.0m	0.9m
4m	520.69 LUX		1.9m	1.9m
6m	231.42 LUX		2.9m	2.8m
8m	130.17 LUX		3.9m	3.8m
10m	83.31 LUX		4.9m	4.7m
12m	57.85 LUX		5.8m	5.6m

### Illuminance at a distance CLX30RGB

Distance m	Center Beam LUX	Angle	Beam Width	
			V	H
2m	508.05 LUX		1.1m	1.1m
4m	127.01 LUX		2.0m	2.1m
6m	56.45 LUX		3.2m	3.2m
8m	31.75 LUX		4.3m	4.2m
10m	20.32 LUX		5.3m	5.3m
12m	14.11 LUX		6.4m	6.3m



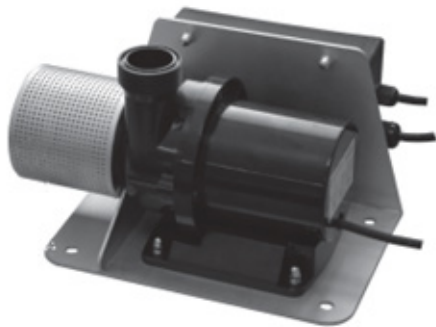
Code	Power	Beam Angle	Input Voltage	Typical Operating Current	Typical Consumption	Typical luminance	IK rate
			(V)	(mA)	(W)	(lm)	
CLX36W	12x3W	30°	24V DC	1600	38,4	Cool White: 3031 Warm white: 2668	10
CLX30RGB	6x5W RGB 3 in 1	30°	24V DC	1600	38,4	835	10



# Rainbow Fountain



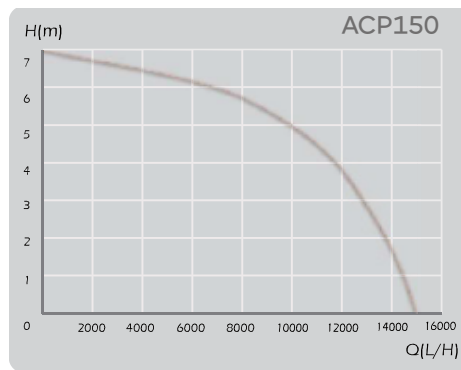
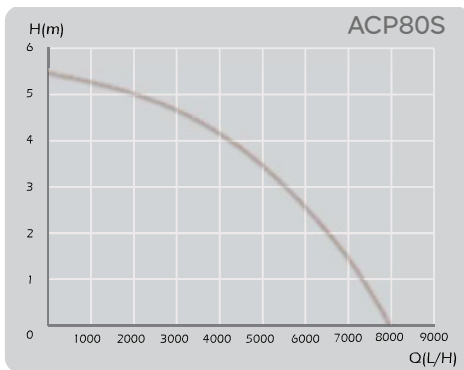
## CONTROLLABLE SUBMERSIBLE PUMP



### Specifications

- ➔ Quiet and high efficient: Brushless DC motor driven water pump, high efficient design of volute and impeller.
- ➔ Dry running protection: If pump is running without water, it will stop automatically to prevent failure from wear.
- ➔ Over heat protection: Pump will stop running if the motor temperature is high.
- ➔ Over current protection: To prevent motor failure from shorten.
- ➔ DMX signal: to control pump speed. Input DMX signal to control pump stop or start and adjust speed.
- ➔ Stand-by model: of lowest speed. Pump is run at lowest speed.
- ➔ IP68, submersible. Install submersed.
- ➔ FOC driver precisely:, provides stable speed control
- ➔ 0.6 second speed ramp from stand-by mode to max speed: Fastest speed reaction to ensure better fountain sense.

### Performance curves



### Example of application

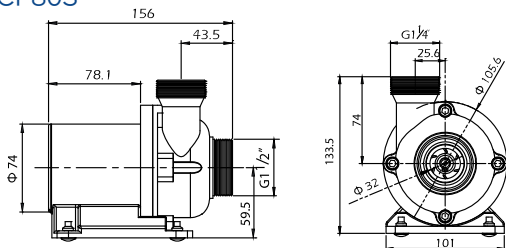


Code	Voltage	Power	Max Speed	Controlled by
ACP80S	24V DC	80W	3000rpm	DMX
ACP150	24V DC	150W	3000rpm	DMX

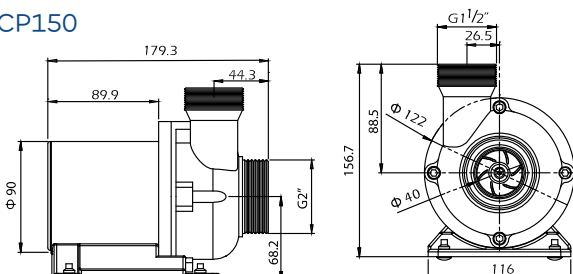
Pumps ACP80S and ACP150 work with 1" comet nozzle.

### Pumps Dimensions

#### ACP80S



#### ACP150

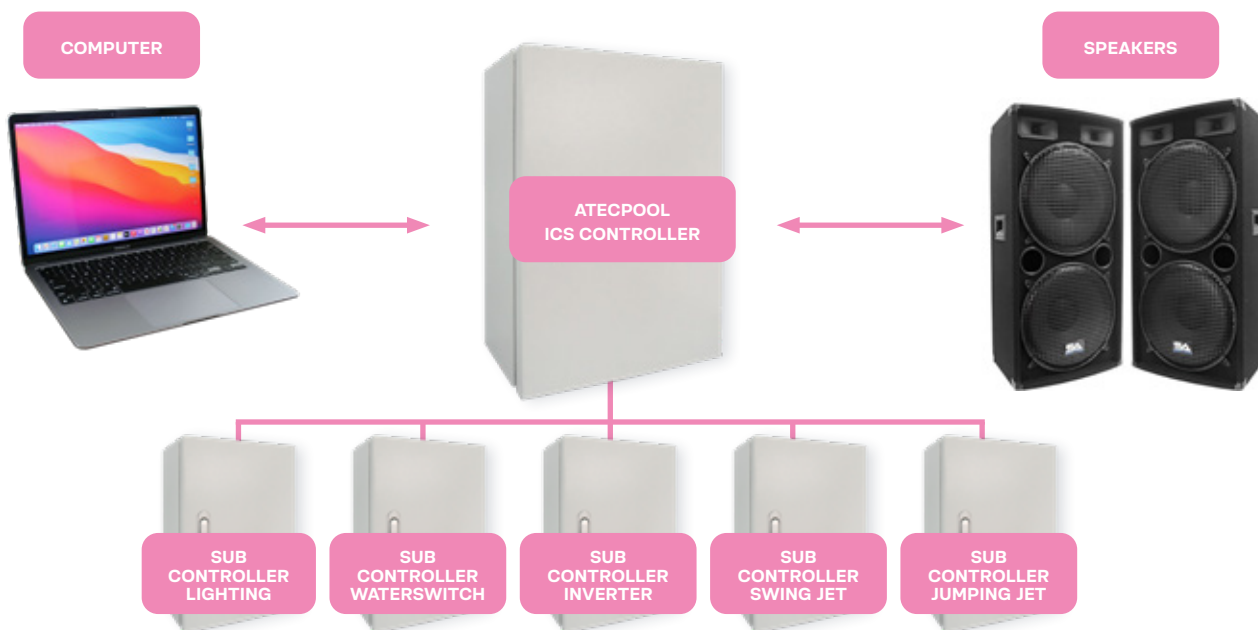


### Controllable Submersible Pump

Characteristics	ACP80S	ACP150
<b>Motor type</b>	BLDC	BLDC
<b>Control Signal</b>	DMX	DMX
<b>Q max</b>	7000 l/h	13000 l/h
<b>H max</b>	5m	7m
<b>Speed from 0% ~ 100%</b>	0.6s	0.6s
<b>Working Voltage</b>	DC24V	DC24V
<b>Max Immersion depth</b>	1m	1m
<b>Protection class</b>	IP68	IP68
<b>Max Power Input</b>	80W	150W
<b>Suction side connection</b>	G1 1/2"	G2"
<b>Outlet connection</b>	G1 1/4"	G1 1/2"
<b>Pump housing</b>	Plastic	Plastic
<b>Ambient temperature</b>	less than 50°C	less than 50°C
<b>Cable for DMX input</b>	1.5m RVV 3x0.5 mm <sup>2</sup>	
<b>Cable for DMX output</b>	1.5m RVV 3x0.5 mm <sup>2</sup>	
<b>Cable for pump</b>	3m H05RN-F 3x0.5 mm <sup>2</sup>	
<b>Cable for power input</b>	1.5m H05RN-F 2x0.75 mm <sup>2</sup>	

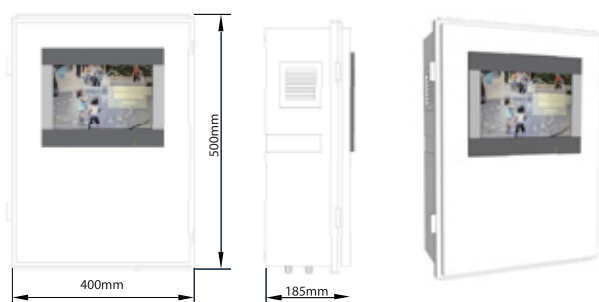
# Rainbow Fountain

## CONTROLS - ICS (INTEGRATED CONTROL SYSTEM)



Integrated Control System	ICS1024M	ICS1024	ICS1024M-2	ICS512-2
Dimensions (LxWxH)	400x185x500 mm		400x185x500 mm	
Weight	10,2 kg		10,2 kg	
Housing	ABS		ABS	
Protection Class	IP20		IP20	
Backup battery	3V lithium battery CR2032 x 1		-	
Backup battery life	3 years at 25°C may vary depending on usage and temp.		-	
Storage temperature	0~50°C		0~50°C	
Operation temp.	0~40°C / 0~80°C humidity non-condensed		0~40°C / 0~80°C humidity non-condensed	
Power Supply	220V AC		220V AC	
Outputs	16 x Digital out		8 x Digital out	
Inputs	16 x Digital in		12 x Digital in	
Memory	Micro SD-card for show files		Micro SD-card for show files	
Operation	(Human Machine Interface)		(Human Machine Interface)	
Audio	Yes	-	Yes	-
Standalone shows	ARC-stream file and audio file		WDS file	
Interface	2x512DMX channels for ICS1024M / ICS1024		2x512DMX channels for ICS1024M-2 / 1x512DMX channel for ICS512-2	
Scheduler	General 10 nos. / Special 1 no.		General 10 nos. / Special 1 no.	
Action manager and monitor	Event actions: digital inputs can be linked with actions (water level) and monitor			
Software	Windows XP or better		Windows 7 or better	

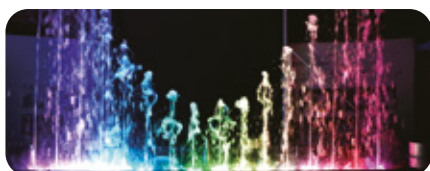
### Controller Dimensions



# Rainbow Fountain



## CONTROLS - DMX AND RDM



### N:Nano 512 / N:Nano 1024 Music

Atecpool rolls out its new DIN-rail fanless embedded systems with extra low power CPU chipset, the Nano 512 and Nano 1024 music. Compact unit supports wide temperature range and features DMX 512/1990 ports, isolated Ethernet port 10/100 Mbit, Micro SD card slot, 2x 16 LCD segment display.

Its 8 x digital and 8 x analog I/O makes this unit the perfect tool for all stand alone fountain multimedia show installations.

The DIN-rail hardware family is compatible to all Depence architect or ultimate versions.

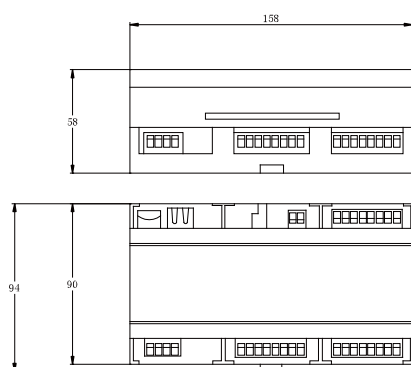
Show Upload can be done via SD Card or local network. Windows Remote Live Panel Software and Service tools will be shipped with this package as well.

### N:Nano 512 / N:Nano 1024 Music Controllers Specifications

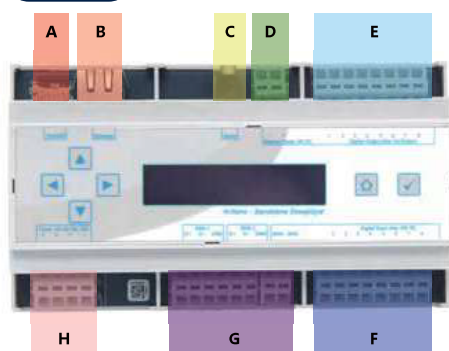
- ➔ Standalone Multimedia Showplayer.
- ➔ 512 1024 DMX output channels.
- ➔ Audio Output (N:Nano 1024 only).
- ➔ Time Schedule with internal clock.
- ➔ Show upload via MicroSD-Card or Ethernet.
- ➔ 8x Digital Input and 8x Digital Output.
- ➔ DIN-Rail mounting.
- ➔ Live-Panel functionality via Remote Software.
- ➔ Easy to use front panel setup.
- ➔ ArtNET Node functionality.

ATECPOOL DMX and RDM Controllers	N:Nano 512	N: Nano 1024 Music
Dimensions (LxWxH)	160x90x58 mm	
Weight	0,33 kg	
Housing	Polycarbonate light grey/white/blue for top-hat rail mounting	
Protection Class	IP20	
Power supply	15..24V DC / 8W	
Operation temperature	0~40°C / 0~80°C humidity non-condensed	
Certification	CE	
Outputs	DMX 512/1990 512 channel 8xdigital out (clamps 24V DC/ 1A max, optically isolated)	DMX 512/1990 1024 channel 8xdigital out (clamps 24V DC/ 1A max, optically isolated) 1 x Stereo Audio (3,5mm jack plug, galvanic isolated)
Inputs	8 x digital in (clamps 24V DC, optically isolated)	
Other connections	Ethernet RJ45 10/ 100Mbit)	
Memory	MicroSD-card	
Operation	2x16 segment LCD Display with 6 keys	

### Dimensions



### Slots



- A:** Micro SD Card Slot (4GB included)
- B:** Ethernet 10/100 Mbit-update shows, remote control
- C:** Audio output 3.5 mm jack plug (only N:Nano 1024 Music)
- D:** External power 24V DC
- E:** 8xdigital output max 1A/output
- G:** DMX512/1990 (N:Nano512 - 512 channel / N:Nano 1024 Music -1024 channel)
- H:** Power input 15-24V DC, 8W





INSPIRED  
ByWater

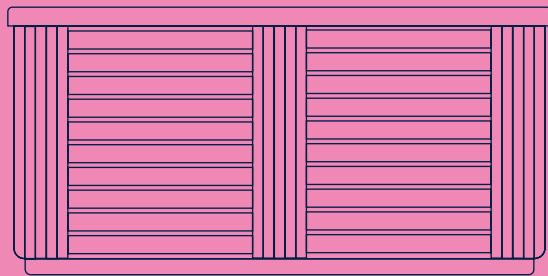
[atecpool.com](http://atecpool.com)



atecpool.com



# Wellness



INSPIRED  
ByWater

**ATECPOOL**

BWT GROUP



# Atecpool Wellness

## Steam and Sauna from TyloHelo Simplicity is a Good Thing

**TyloHelo** has trail-blazed the sauna industry for over one hundred years. The time has come to introduce the only multi-layered sauna experience on the market. A new dimension in modern sauna solutions. A new dawn in sauna engineering. Try the new Bio Water Technique from Helo.

## Atecpool Spa Collection The key to wellness

Based on our several years' experience in the creation of modern swimming pool techniques and whirlpool equipment, as the experts on the European market, it is our pleasure to present our newest collection of highly advanced portable spas and in-ground spas.



# TyloHelo

## SAUNA ROOMS

TyloHelo Sauna



**TyloHelo**  
Sauna Rooms



**Corner**  
Aspen



**Corner with glazed section**  
Aspen



**Square**  
Alder



**Square with glazed section front**  
Alder



**Square with glazed section side**  
Aspen



**Square with glazed section front and side**  
Aspen



**Glass front**  
Alder



**Glass corner**  
Aspen

# Wall Panels and Bench Boards

## SAUNA ROOMS

### Premium Saunas with Natural Wood

A sauna creates a personal escape where light, scent, sound, and design work together to deliver a calming, immersive experience enhanced by Helo's thoughtful details.

Natural wood and carefully crafted features combine comfort, durability, and aesthetics to create a harmonious and relaxing environment.

### Natural Wood Collection

We use high-quality aspen and alder as the main raw materials for sauna panels and benches, available in both heat-treated and untreated options. Knot-free and resin-free aspen and alder are the best materials for benches, as their pleasantly smooth surface does not get hot even in intense heat. They also withstand heat and moisture excellently. From our selection, you will also find beautiful and durable heat-treated radiata pine benches and heat-treated pine benches. Choose long-lasting sauna benches and enjoy your sauna for years to come.

#### WALL PANELS



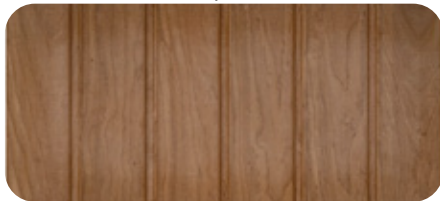
15x90 Aspen



15x90 Alder



15x90 Thermoaspen



15x90 Thermoalder



15x90 Hemlock

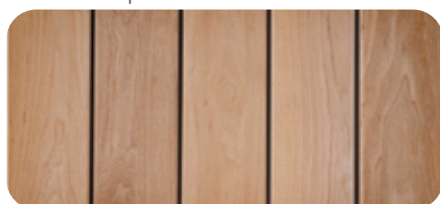


15x90 Red Cedar

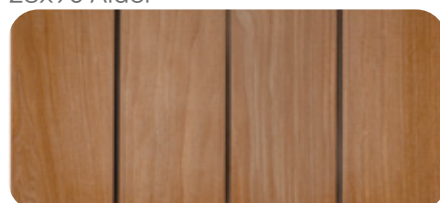
#### BENCH BOARDS



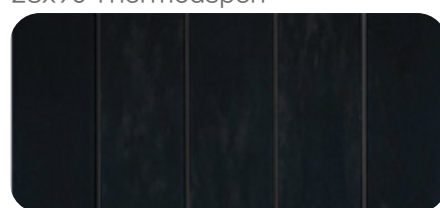
28x90 Aspen



28x90 Alder



28x90 Thermoaspen



28x90 Black Wax Aspen



28x90 Hemlock



28x90 Red Cedar

# TyloHelo

## SAUNA ROOMS

### TyloHelo Premium Saunas Interior Styling

Harmony interiors are available in a number of different designs and are made to match the style of your Harmony. Your sauna room can be designed to custom standards by choosing from several types of wood and designs.

#### Classic

The Classic range of solid Aspen, Alderwood or Thermo Alder sauna interior is available in pre-cut measurements or may be cut to individual preferences. The range includes benches and backrests with available skirting and siding for a complete and finished look.

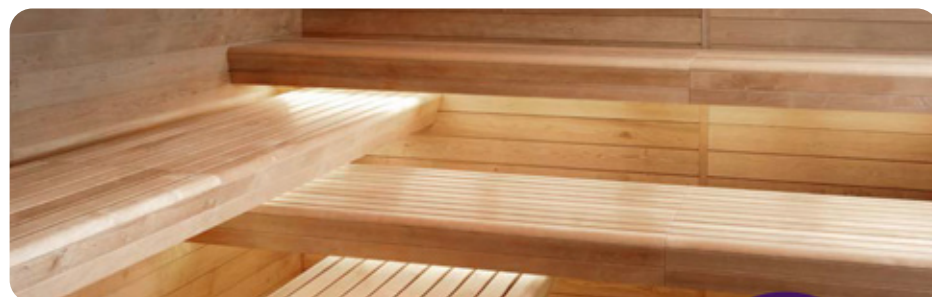
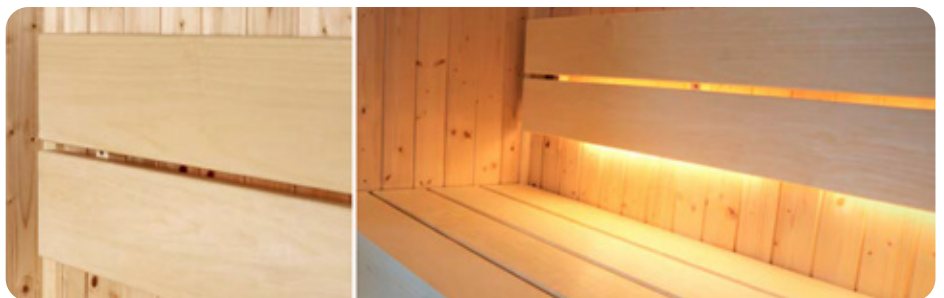


#### Classic Slim

Classic Slim sauna interiors in Aspen, Alderwood or Thermo Alder are available in pre-cut measurements but may be cut to individual requirements for custom builds. The range includes benches and backrests with available skirting and siding for a complete and finished look.

#### Classic Wide

The Classic Wide range of American Tulip, Aspen, Alder or Thermo Alderwood. The sauna interior is available in custom measurements as flex interior. The range includes benches and backrests.



#### Panorama Interior

The Panorama range of sauna benches with the overlapping design are made of Aspen, Alder and Thermo Alder and are available in custom measurements as flex interior.

# TyloHelo

## SAUNA ROOMS

### TyloHelo Premium Saunas Interior Styling

Harmony interiors are available in a number of different designs and are made to match the style of your Harmony. Your sauna room can be designed to custom standards by choosing from several types of wood and designs.

#### Glass

Whether it's a glass door, glass section, or glass front, our glass products are engineered to endure significant temperature variations between sauna interior and exterior, maintaining their shape and integrity. Opt for clear glass for an open ambience, bronze glass for added warmth, or frosted glass to create a private, relaxing retreat.



Clear Glass  
8 mm tempered safety glass



Bronze Glass  
8 mm tempered safety glass



Frosted Glass  
8 mm tempered safety glass



Horizontal



Vertical



Design Handle



Horizontal Alu Line



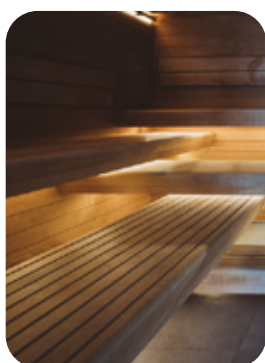
Panacea

#### Door handle

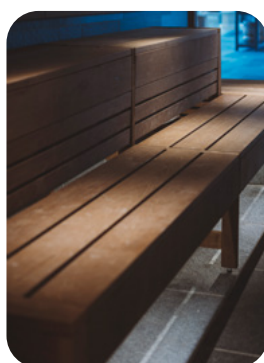
Choose between horizontal and vertical orientation or go for the design handle.

#### Benches

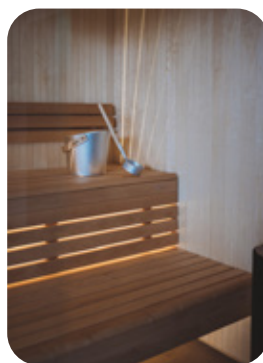
Tylö sauna benches are crafted for both comfort and durability, available in Panorama, Classic, Slim, and Wide designs to suit a variety of layouts and aesthetic preferences. Each bench is ergonomically designed to enhance relaxation while optimizing space within the sauna. Complementary armrests, side panels, and skirting panels create a seamless, refined finish while improving safety and support. Built with high-quality materials, these benches ensure long-lasting performance in demanding sauna environments.



Panorama benches



Wide benches



Classic benches



Slim benches



Armrests and Side Panels



Skirting Panels

# TyloHelo

SAUNA ROOMS



TYLOHELO



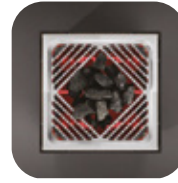
WELLNESS

# TylöHelo

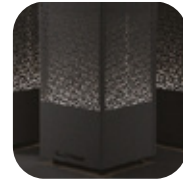
## PREMIUM SAUNA HEATERS

### Crown Sauna Heaters

Crown Sauna heaters can achieve up to 25% energy savings compared to traditional units when operating at 65–70°C and 35% humidity. Its floor-standing design with slim 40 cm sides allows easy placement in a corner, against a wall, or by a glass front. The unit features ThermoSafe™ touch protection to reduce burn risk and has built-in lighting pattern. Rapid heating, floor-standing unit with a symmetrical design and IntelliAir grill for optimal airflow.



IntelliAir air chamber



Built-in lighting



ThermoSafe surface

### Crown Elite Sauna Heaters



It includes the Elite Cloud control panel and door contact (each with a 5 m cable), plus a temperature sensor with a 4 m cable. Crown models are available in 6 kW, 8 kW, and 10 kW options.

Model	Code	Power	Sauna size	Dimensions (mm)			Minimum Distance	
				W	H	D	Wall (mm)	Ceiling (mm)
		kW	m <sup>3</sup>					
<b>CROWN ELITE 6</b>	<b>61002000</b>	6,6	4-8	365	806	365	50	1900
<b>CROWN ELITE 8</b>	<b>61002002</b>	8	6-12	365	806	365	50	1900
<b>CROWN ELITE 10</b>	<b>61002004</b>	10,5	10-18	365	806	365	50	1900

### Crown Combi Elite Sauna Heaters



Get the best of both worlds with the Tylö Crown heater's Combi version. It mixes sauna and steam for a comfortable Soft Sauna experience, provides up to 25% energy savings compared to regular saunas. It includes the Elite Cloud control panel and door contact (each with a 5m cable), plus a temperature sensor with a 4 m cable.



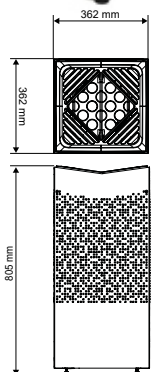
Model	Code	Power	Sauna size	Dimensions (mm)			Minimum Distance	
				W	H	D	Wall (mm)	Ceiling (mm)
		kW	m <sup>3</sup>					
<b>CROWN COMBI ELITE 6</b>	<b>61002050</b>	6,6	4-8	365	806	442	50	1900
<b>CROWN COMBI ELITE 8</b>	<b>61002052</b>	8	6-12	365	806	442	50	1900
<b>CROWN COMBI ELITE 10</b>	<b>61002054</b>	10,5	10-18	365	806	442	50	1900

### Crown Commercial Sauna Heaters



The Crown heater is now available in a powerful commercial version, designed for demanding professional sauna environments. The unit is controlled by the Elite control panel and relay box Commercial Lite (not included). Available in 8 kW and 10 kW options.

It can also be installed as a Twin Crown Commercial setup for larger spaces, delivering up to 21.8 kW and suitable for sauna rooms up to 45 m<sup>3</sup>. Twin Crown Commercial is operated via the Elite control panel, in combination with the Pro Control and Pro Power 25 relay boxes.



Code	Code	Power	Sauna size	Dimensions (mm)			Minimum Distance	
				W	H	D	Wall (mm)	Ceiling (mm)
		kW	m <sup>3</sup>					
<b>CROWN COMMERCIAL 8</b>	<b>61002400</b>	8	6-12	365	806	442	50	1900
<b>CROWN COMMERCIAL 10</b>	<b>61002402</b>	10.8	10-18	365	806	442	50	1900
<b>CROWN COMMERCIAL TWIN</b>		8+8	15-35	724	806	442	50	2100
		8+10.8	18-40	724	806	442	50	2100
		10.8+10.8	22-45	724	806	442	50	2100

# TyloHelo

## SAUNA HEATERS

### Tylo Traditional Sauna Heaters

Rapid heating with an easy-to-use WiFi control panel for full system overview, enabling automated scheduling for maximum flexibility; features split output functionality to reduce power once the set temperature is reached, and ThermoSafe™ protective coating to help prevent accidental skin burns.



#### Sense Elite/Pure Heaters

Sense Elite is fitted with a number of smart and patented features and makes a perfect choice for energy efficient sauna bathing.

**Elite Cloud control panel** with wifi connectivity and cloud-based functionality for maximum advantage and comfort is included or with **Pure digital touch control panel** for ease of use and convenience. Door contact is required for delayed start. Available in 6 kW, 8 kW, and 10 kW options.



Model	Code	Power	Sauna size	Dimensions (mm)			Minimum Distance	
				W	H	D	Wall (mm)	Ceiling (mm)
		kW	m³					
SENSE ELITE 6	61001338	6,6	4-8	435	600	375	110	1900
SENSE ELITE 8	61001340	8	6-12	435	600	375	110	1900
SENSE ELITE 10	61001342	10,5	10-18	435	600	375	110	1900
SENSE PURE 6	61001344	6,6	4-8	435	600	375	110	1900
SENSE PURE 8	61001346	8	6-12	435	600	375	110	1900
SENSE PURE 10	61001348	10,5	10-18	435	600	375	110	1900



#### Sense Sport

The Sense Sport electric sauna heater is available in two different power output versions and can be placed on the floor or mounted on the wall.

The control panel is built into the heater and located at its base.

Available in 6 kW and 8 kW options.

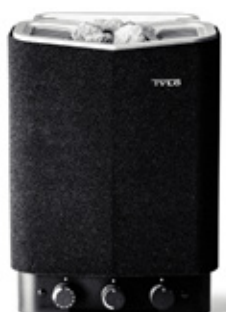
Model	Code	Power	Sauna size	Dimensions (mm)			Minimum Distance	
				W	H	D	Wall (mm)	Ceiling (mm)
		kW	m³					
SENSE SPORT 6	61001330	6,6	4-8	435	600	375	110	1900
SENSE SPORT 8	61001332	8	6-12	435	600	375	110	1900



#### Sense Sport 2/4

This compact electric sauna heater fits perfectly even in the smallest sauna rooms, without compromising on performance or design.

Model	Code	Power	Sauna size	Dimensions (mm)			Minimum Distance	
				W	H	D	Wall (mm)	Ceiling (mm)
		kW	m³					
SENSE SPORT 2/4	62202020	2,2-4,5	2-4	348	480	214	20	1900



#### Sense Sport Combi 4

Enjoy both traditional sauna and steam in one compact unit. Sense Sport Combi 4 is a lightweight and flexible heater designed to fit seamlessly even in smaller spaces.

Model	Code	Power	Sauna size	Dimensions (mm)			Minimum Distance	
				W	H	D	Wall (mm)	Ceiling (mm)
		kW	m³					
SENSE SPORT COMBI 4	62202060	4.5	2-4	348	490	274	20	1900

# TyloHelo

## SAUNA HEATERS



### Sense Combi Elite/Pure Heaters

Same efficient and swift operation as the rest of the Sense heater lineup, but Sense Combi Pure and Elite delivers traditional dry sauna experiences along with ones including rich and enveloping steam, for an even higher level of versatility and pleasure.

Includes steam bath functionality along with aroma and mineral therapies. High quality stainless steel construction for stone compartment.

Model	Code	Power	Sauna size	Dimensions (mm)			Minimum Distance	
				W	H	D	Wall (mm)	Ceiling (mm)
		kW	m <sup>3</sup>					
<b>SENSE COMBI ELITE 6</b>	<b>61001350</b>	6,6	4-8	435	620	375	110	1900
<b>SENSE COMBI ELITE 8</b>	<b>61001352</b>	8	6-12	435	620	375	110	1900
<b>SENSE COMBI ELITE 10</b>	<b>61001354</b>	10,5	10-18	435	620	375	110	1900
<b>SENSE COMBI PURE 6</b>	<b>61001356</b>	6,6	4-8	435	620	375	110	1900
<b>SENSE COMBI PURE 8</b>	<b>61001358</b>	8	6-12	435	620	375	110	1900
<b>SENSE COMBI PURE 10</b>	<b>61001360</b>	10,5	10-18	435	620	375	110	1900



Sense Commercial 6 and 8



Sense Commercial 10,16 and 20

### Sense Commercial

The Sense Commercial 6 and 8 electric sauna heaters are adapted for public facilities. They are compatible with both electronic and mechanical control panels.

The Ready-At function can choose what time you want your sauna to reach your desired temperature. They work with older generations of control panels as well as the new generation digital control panels Elite and Pure. Available in several different power outputs and comes equipped with the ability to provide soft sauna steam.

When using Elite or Pure, the Commercial Lite relay box is suitable.

Model	Code	Power	Sauna size	Dimensions (mm)			Minimum Distance	
				W	H	D	Wall (mm)	Ceiling (mm)
		kW	m <sup>3</sup>					
<b>SENSE COMMERCIAL 6</b>	<b>61001334</b>	6,6	4-8	435	600	375	110	1900
<b>SENSE COMMERCIAL 8</b>	<b>61001336</b>	8	6-12	435	600	375	110	1900
<b>SENSE COMMERCIAL 10</b>	<b>61001090</b>	10.7	10-18	653	646	390	150	1900
<b>SENSE COMMERCIAL 16</b>	<b>61001092</b>	16	15-35	653	646	390	150	1900
<b>SENSE COMMERCIAL 20</b>	<b>61001094</b>	20	22-43	653	646	390	150	1900

### Relay Box Commercial Lite and Commercial

Relay Box Commercial Lite is designed for control together with the control panels Elite or Pure and is suitable for sauna heaters Crown Commercial 8/10kW and Sense Commercial up to 10.7kW. Relay Box Commercial for heater capacities 16-20kW

Code	Description
<b>71016014</b>	Relay box Commercial Lite
<b>71016012</b>	Relay box Commercial



Relay Box Pro Control

### Relay Box Pro Control and Pro Power 25

Twin Crown Commercial is operated via the Elite control panel, in combination with the Pro Control and Pro Power 25 relay boxes. Relay Box Pro Control and Pro Power 25 enable connection to the Elite control panel with precise temperature control. Relay Box Pro Power 25 is a contactor box designed for use with the Pro Control relay box and Elite control panel, managing two separate heat source groups (e.g., sauna heaters and IR panels) with support for installations up to 25 A per group.

Code	Description
<b>71016100</b>	Relay box Pro Control
<b>71016110</b>	Relay box Pro Power 25



Relay Box Pro Power 25

PREMIUM SAUNA HEATER							
Model	Code	Power	Sauna size	Suitable control panel	Weight heater + rocks	Dimensions	Installation
		kW	m <sup>3</sup>		kg+kg	W*H*D (mm)	
CROWN ELITE 6	61002000	6,6	4-8	Elite included	28.4+20	365*806*442	Floor standing
CROWN ELITE 8	61002002	8	6-12	Elite included	28.4+ 20	365*806*442	Floor standing
CROWN ELITE 10	61002004	10,5	10-18	Elite included	28.4+ 20	365*806*442	Floor standing
CROWN COMBI ELITE 6	61002050	6,6	4-8	Elite included	34,2+ 20	365*806*442	Floor standing
CROWN COMBI ELITE 8	61002052	8	6-12	Elite included	34,2+ 20	365*806*442	Floor standing
CROWN COMBI ELITE 10	61002054	10,5	10-18	Elite included	34,2+ 20	365*806*442	Floor standing
CROWN COMMERCIAL 8	61002400	8	6-12	Elite + RB Commercial Lite	26+20	365*806*442	Floor standing
CROWN COMMERCIAL 10	61002402	10.8	10-18	Elite + RB Commercial Lite	26+20	365*806*442	Floor standing
CROWN COMMERCIAL TWIN		8+8	15-35	Elite + RB Pro Control + RB Pro Power	52+40	724*806*442	Floor standing
		8+10.8	18-40	Elite + RB Pro Control + RB Pro Power	52+40	724*806*442	Floor standing
		10.8+10.8	22-45	Elite + RB Pro Control + RB Pro Power	52+40	724*806*442	Floor standing
RESIDENTIAL SAUNA HEATER							
Model	Code	Power	Sauna size	Suitable control panel	Weight heater + rocks	Dimensions	Installation
		kW	m <sup>3</sup>		kg+kg	W*H*D (mm)	
SENSE SPORT 2/4	62202020	2,2-4,5	2-4	Built-in	9,3+7	348*480*214	Wall mounted
SENSE SPORT COMBI 4	62202060	4.5	2-4	Built-in	13.4+7	348*490*274	Wall mounted
SENSE SPORT 6	61001330	6,6	4-8	Built-in	17+20	435*600*375	Wall mounted/floor standing*
SENSE SPORT 8	61001332	8	6-12	Built-in	17+20	435*600*375	Wall mounted/floor standing*
SENSE ELITE 6	61001338	6,6	4-8	Elite included	17+20	435*600*375	Wall mounted/floor standing*
SENSE ELITE 8	61001340	8	6-12	Elite included	17+20	435*600*375	Wall mounted/floor standing*
SENSE ELITE 10	61001342	10,5	10-18	Elite included	17+20	435*600*375	Wall mounted/floor standing*
SENSE PURE 6	61001344	6,6	4-8	Pure included	17+20	435*600*375	Wall mounted/floor standing*
SENSE PURE 8	61001346	8	6-12	Pure included	17+20	435*600*375	Wall mounted/floor standing*
SENSE PURE 10	61001348	10,5	10-18	Pure included	17+20	435*600*375	Wall mounted/floor standing*
SENSE COMBI ELITE 6	61001350	6,6	4-8	Elite included	23+20	435*620*375	Wall mounted/floor standing*
SENSE COMBI ELITE 8	61001352	8	6-12	Elite included	23+20	435*620*375	Wall mounted/floor standing*
SENSE COMBI ELITE 10	61001354	10,5	10-18	Elite included	23+20	435*620*375	Wall mounted/floor standing*
SENSE COMBI PURE 6	61001356	6,6	4-8	Pure included	23+20	435*620*375	Wall mounted/floor standing*
SENSE COMBI PURE 8	61001358	8	6-12	Pure included	23+20	435*620*375	Wall mounted/floor standing*
SENSE COMBI PURE 10	61001360	10,5	10-18	Pure included	23+20	435*620*375	Wall mounted/floor standing*
COMMERCIAL SAUNA HEATER							
Model	Code	Power	Sauna size	Suitable control panel	Weight heater + rocks	Dimensions	Installation
		kW	m <sup>3</sup>		kg+kg	W*H*D (mm)	
SENSE COMMERCIAL 6	61001334	6,6	4-8	Pure or Elite with relay box Commercial Lite	17+20	435*600*375	Wall mounted/floor standing*
SENSE COMMERCIAL 8	61001336	8	6-12	Pure or Elite with relay box Commercial Lite	17,5+20	435*600*375	Wall mounted/floor standing*
SENSE COMMERCIAL 10	61001090	10.7	10-18	Pure or Elite with relay box Commercial Lite	32+25	646*653*390	Wall mounted
SENSE COMMERCIAL 16	61001092	16	15-35	Pure or Elite with relay box Commercial	32+25	646*653*390	Wall mounted
SENSE COMMERCIAL 20	61001094	20	22-43	Pure or Elite with relay box Commercial	32+25	646*653*390	Wall mounted

\* Feet for floor standing need to be bought separately.

# TyloHelo

## SAUNA HEATERS



### Helo Cup Sauna Heater

Reliable and safe Cup sauna heaters are an excellent choice for traditional Finnish type sauna. These compact wall mounted heaters are designed for domestic small and mid-size sauna rooms. They are easy to assemble and easy to use with builtin timer and thermostat or with separate control unit. With the timer you can pre-select the time when you want the heater to be turned on, max. 9 hours beforehand. The running time is max 3 hours. CUP D require separate control unit while CUP STJ heater comes with built-in thermostat and a timer 9+3 hrs.



Code	Power	Sauna size	Dimensions (mm)			Stones	Mounting	Safety distances				
	kW	m <sup>3</sup>	W	H	D			kg	Side	Front	Behind	Ceiling
<b>CUP 45 D</b>	4.5	3 - 6	410	580	280	15	Wall	50	80	-	1200	120
<b>CUP 60 D</b>	6	5 - 9	410	580	280	23	Wall	70	100	-	1250	120
<b>CUP 80 D</b>	8	8 - 13	410	580	300	23	Wall	100	150	-	1250	120

Control Unit for CUP D heater : Elite or Pure Control with relay box (WE40)

### Helo SKLE Professional Electric Heater

SKLE are suitable for saunas sized from 8 – 46 m<sup>3</sup>. Designed for commercial sauna rooms, Helo SKLE heaters are robust, easy to maintain and their 60 kg of stones create an attractively soothing sauna climate. Helo SKLE is used with separate control panel.



Code	Power	Sauna size	Dimensions (mm)			Stones	Mounting	Safety distances				
	kW	m <sup>3</sup>	W	H	D			kg	Side	Front	Behind	Ceiling
<b>SKLE 1051</b>	10.5	9 - 15	510	700	475	60	Floor	140	160	160	1400	-
<b>SKLE 1201</b>	12	10 - 18	510	700	475	60	Floor	140	160	160	1400	-
<b>SKLE 1501</b>	15	14 - 24	510	700	475	60	Floor	140	160	160	1500	-

Control Unit for SKLE heater : Elite or Pure Control with relay box (WE40)

### Helo SKLA Professional Electric Heater



The heater is freestanding and available in a variety of models to suit different business needs. Helo SKLA is specially engineered for larger commercial saunas that require durable, powerful and cost-efficient heaters - without compromising on the rich steam and soothing sauna atmosphere. The Helo SKLA heaters accommodate 120 kg of rocks, ensuring a genuinely ideal sauna climate for guests.

Code	Power	Sauna size	Dimensions			Stones	Mounting	Safety distances				
	kW	m <sup>3</sup>	W	H	D			kg	Side	Front	Behind	Ceiling
<b>SKLA 181</b>	18	18 - 30	880	700	510	120	Floor	80	80	110	1200	-
<b>SKLA 210</b>	21	24 - 36	880	700	510	120	Floor	80	80	110	1200	-
<b>SKLA 260</b>	26	30 - 46	880	700	510	120	Floor	120	120	120	1400	-

Control Unit for SKLA heater : Elite or Pure Control with relay box (WE50)

# TyloHelo

## SAUNA ACCESSORIES

### TyloHelo Sauna Accessories



#### Heater guard

Wall mounted heater guard

6.6-8 kW. Code: 90001002

10.7-20 kW. Code: 90001012

#### Ventilation Hatch B

Fits over the air outlet inside the sauna to regulate air flow.  
Size: 14 x 37.5 cm. Code: 90181036



#### Ventilation Grille B

Size: 14x22 cm.  
Code: 90181040



#### Sauna Wood -Treatment Oil

For treating benches and other wood surfaces in the sauna. Covers approx. 6m<sup>2</sup>. Code: 90022050



#### Fixed Headrest

Headrest made of narrow wooden slats.  
Size: 37.5x27x8cm.  
Alder: code 90081016  
Aspen: code 90081014



#### Adjustable Sauna Headrest

Height adjustable.  
Size: 42.5x37.5x7cm.  
Alder: code 90081012  
Aspen: code 90081010



#### Strip package

Contains three strips of light aspen, measuring 12 x 43 x 2400 mm. Suitable as a door lining, internal or external ceiling strip, etc... Code: 91031575



#### Threshold

Suitable for DGB and DGL doors with door widths 7 and 8. Size: 30 x 92 mm.

DGL/DGB width 7 Pine. Code 91031560

DGL width 7 Aspen. Code 91031561

Broad DGB width 8 Pine. Code 91031565

DGL width 8 Aspen. Code 91031566

#### Foot for Sense

Foot for all Sense sauna heaters. Color black.  
Sense 6/8/10. Code: 90001060  
Sense Combi 6/8/10. Code: 90001061



#### Steam Distributor Commercial

The Tylo Steam Distributor Commercial improves the distribution of steam in your sauna room. Specially designed for the sauna heater Sense Commercial 10-20kW. — Code: 90029263



# TyloHelo

## SAUNA ACCESSORIES

### TyloHelo Sauna Accessories



Add a fragrance to your sauna to stimulate your senses. Peppermint and citrus pick your moods up, eucalyptus is refreshing and helps against colds, lavender has a relaxing effect.



#### Essential Oils

100% essential oils. Release invigorating scents in your sauna. 10 ml/bottle.

Eucalyptus: Code: 90024080

Peppermint: Code: 90024084

Lavender: Code: 90024082

Citrus: Code: 90024086

Fragrance Collection, 4-PACK 10 ml/ bottle. Code: 90024100



#### Concentrated Fragrances

For earlier models of Tylo Sauna Fresh and Stream Fresh. 250 ml/ bottle.

Eucalyptus: code 90024060

Peppermint: code 90024064

Lavender: 90024062

Citrus: 90024066



#### Essential Oils

Concentrate of natural fragrances specially produced for our Tylo Fresh fragrance dispenser for saunas and steam baths. 250 ml/bottle.

**Eucalyptus:** Code: 90024040

**Peppermint:** Code: 90024044

**Lavender:** Code: 90024042

**Citrus:** Code: 90024046



#### Helo Sauna Stones

Natural Vulcanite stones that provide excellent heat radiation.

Vulcanite sauna stones - top quality, approved Finnish sauna stones that are durable and provide excellent heat radiation. Although the stones have been washed, we recommend rinsing them again with water before placing them in the sauna heater. Locate the stones loosely around the elements. This will improve the sauna heating time and prolong element life. 50 packages fits on one pallet.

Helo Sauna stones 20 Kg small size for wall heaters. Code: 0043020

Helo Sauna stones 20 kg big size for floor heaters. Code: 0043022

# TyloHelo

## SAUNA ACCESSORIES



### Dark Accessories

**Hygrometer** Code: 90152778

**Bucket** Code: 90152772

**Ladle** Code: 90152774



### Premium Pro

These are products to choose if you have a professional sauna or just want really high quality products that last.



### Pro Accessories

Stainless Steel Accessories

**Bucket pro** Code: 90041060

**Hygrometer/Thermometer pro** Code: 90041062



### Shower Barrel

10-litre shower barrel with automatic water refill for a refreshing cool-down after your sauna.

Height with chain: 630 mm.

Code: 90029050

### Classic

Light wood.



### Classic Accessories

Wooden Sauna Accessories

**Bucket (Pine,4L)** Code: 0038815

**Ladle** Code: 90121022

**Hygrometer/Thermometer** Code: 90152813

**Thermometer** Code: 90152823

### Black Accessories

Tylö Brilliant Black accessories. Made from aluminium which is sand-blasted and anodised.

**Hygrometer.**

Code: 90152420

**Thermometer.**

Code: 90152430

**Bucket**

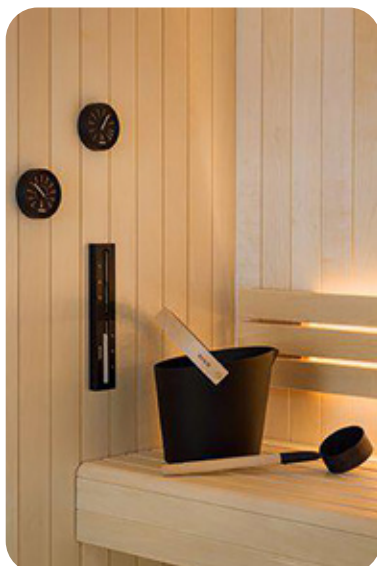
Code: 90152400

**Ladle**

Code: 90152410

**Hour Glass**

Code: 90152440



### Silver Accessories

Tylö Brilliant Silver accessories. Made from aluminium which is sand-blasted and anodised.

**Hygrometer.**

Code: 90152422

**Thermometer.**

Code: 90152432

**Bucket**

Code: 90152402

**Ladle**

Code: 90152412

**Hour Glass**

Code: 90152442




# TyloHelo

## DOORS FOR SAUNA ROOMS

### Doors for Sauna Rooms

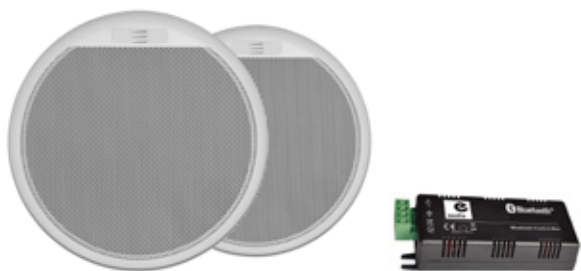
All sauna doors offered by Helo are produced following all safety regulations and customers' expectations. Thermo-treated glass is used in production, which is five times stronger than the usual glass. In order to avoid bending of the jambs due to fluctuation of temperature, all the jambs are made of knot-free glue-laminated birch or alder. Doors can be mounted left or right hinged. Robust pine door with tempered 8mm safety glass.

	Code	Description	Dimension
			mm
	<b>91031510</b>	Sauna Glass Door W / Alder Frame 80 x 190 Bronzed glass door, width of opening 760 mm, no threshold.	800 X 1900
	<b>91031916</b>	Sauna Glass Door W / Alder Frame 90 x 190 Bronzed / Clear glass door, width of opening 860 mm, no threshold.	900 X 1900
	<b>91031920</b>	Sauna Glass Door W / Pine Frame 90 x 200 Bronzed / Clear glass door, width of opening 860 mm, no threshold.	900 X 2000
	<b>91031924</b>	Sauna Glass Door W / Pine Frame 90 x 210 Bronzed / Clear glass door, width of opening 860 mm, no threshold.	900 X 2100



# TyloHelo

## SAUNA ACCESSORIES



### Sauna and Steam Room Loudspeakers

IP65-rated steam and heat-resistant design. It can be used in challenging temperatures up to 95°C, ideal for steam rooms and saunas.

#### Loudspeaker Waterproof

Outside diameter: 190mm, Depth: 60mm, Weight: 1kg.

Housing- Plastic    Grille material- Stainless Steel.

Supplied in pairs    Bluetooth amplifier included.

Code: 90803003A

### External Switch 12V

On/off switch to control the sauna from locations other than where the control panel is installed.

Fits Elite and Pure.

Code: 90908048



### Door Contact



Prevents unintentional start-up of the sauna by remote control if the sauna door is open. Code: 90908035



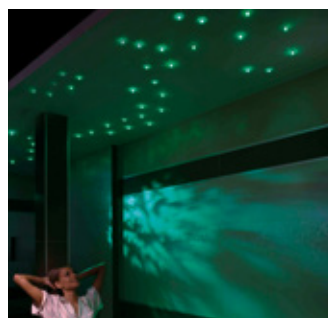
### Transformer LED 0-20W

200-240 V ~/12V DC. Max. load 20W. NB: The transformer must always be installed outside the sauna. Suitable for E90, E28 and LED light strip. LED transformer dimmable on the secondary side. Code: 90901030



### Transformer LED 6-18W

LED TRANSFORMER 230V~/ 18-52 V DC. Max. load 18 W. Dimmable. NB: The transformer must always be installed outside the sauna. Suitable for Tylo LED downlights. IP class 21. Code: 90901024



### Ruben Sky LED

The included control gives you a choice of seven pre-installed programmes or the option of creating your own programme with as many as 20 colour changes. Cable connections, 180mm mounting sleeves and electronic equipment are included. Can also be synchronised with lighting behind the backrest.

**Ruben Sky 20 Number: 20.**  
11.6 W output. Code: 90011072

**Ruben Sky 30 Number: 30.**  
17.4 W output. Code: 90011074

**Ruben Sky 40 Number: 40.**  
23.2 W output. Code: 90011076

**Ruben Sky 60 Number: 60.**  
34.8 W output. Code: 90011078



### RGB Lighting

Ready-made package containing LED strip RGB 2 x 1.91 m, transformer and remote control. Code: 90011360

# TyloHelo

## SAUNA ACCESSORIES

### TyloHelo Sauna Accessories



### Sauna LED Lighting

Includes lighting strips and transformer. Can be installed either inside or outside the sauna (not in the ceiling). Warm-white glow. Voltage 12 V. IP 54. Transformer LED 12 V DC 20 W.

**LED Length 1 x 500 mm. 2,4 Watt.** Code: 90011440

**LED Length 2 x 500 mm. 4,8 Watt.** Code: 90011442

**LED Length 3 x 500 mm. 7,2 Watt.** Code: 90011444

**LED Length 4 x 500 mm. 9,6 Watt.** Code: 90011446

**LED Length 5 x 500 mm. 12 Watt.** Code: 90011448



### Sauna Lamp 40W

For wall mounting. White lamp holder E14. IP 55. Max 40 W. Diameter 90 mm, height 170 mm.

Code: **90011010**



### LED Strip Light

Developed to allow for more subtle lighting effects. 12 V DC. Dimmable. Warm white 3000K.

**LED 38CM 12V/DC 0.16w**  
Code: **90011350**

**LED 50CM 12V/DC 0.25w**  
Code: **90011352**

**LED 90CM 12V/DC 0.50w**  
Code: **90011354**

**LED 190CM 12V/DC 1.20w**  
Code: **90011356**



### Lighting Tube

Installed behind the backrest for pleasant, subdued lighting in sauna or steam room. Can be cut to size. 12 V. Connect to 12 V transformer. IP 65.

**Lighting tube 50** Length 50 cm. 15 W output.  
Code: **90011192**

**Lighting tube 90** Length 90 cm. 27 W output.  
Code: **90011194**

**Lighting tube 190** Length 190 cm. 57 W output.  
Code: **90011196**



### Sauna LED Lights

The set includes 12 LED lamps with silver heads, 4.5 metres of cable to each lamp, and the adapter. The colour of the lighting is warm white. The lighting has the property of directed emission with the scattering angle of 35. Code: 3815005-12

- 12pcs 5mm DIP LED
- 4.5m wire for each LED
- Connector with 12pcs holes
- Adapter with 12V,500mA, European plug
- 12pcs / set in a white box
- Cover color: Silver
- Lighting color: warm white
- Wattage 0.65W $\pm$ 10%
- Luminous 39.3lm $\pm$ 10%
- Humidity 0-95%RH
- Cable working temp -20-+85°C
- LED diode working temp -20-+90°C
- Input voltage AC/DC12V
- Life time: 50,000h
- Scattering angle of 35 degrees



### Emergency Push Button

Emergency button suitable for use in saunas, steam rooms and other special applications. Switch Contacts - 2 x DPCO - 5A @30vdc

#### The kit includes

1 x Red surface mount air button, 3 x IP68 cable gland, 1 x Double pole double throw momentary air switch, 1 x 10m of black air tube ,1 x IP65 Enclosure for air switch

Code: **945700E**



### Opus 100 H175

Spotlight LED 6x0,45W. In brushed steel for recessed in the sauna ceiling. The kit is made of 6 luminaires with phase-divisible drive gear, extension cable and connecting cables. The drive unit is capable of powering and dimming 5-12 luminaires. Gives a warm light. (2700K)

Code: **90011080**

# TyloHelo Panacea

## STEAM BATH

### Steam Room Panacea

The Panacea steam bath soothes both body and soul. The hot steam envelops the body, releasing tension and easing muscle aches, while a variety of light and sound settings provide relaxing additions to the mind. Panacea is available in 6 different standard sizes and comes with a dramatic back-lit wall. Choose between various glass tints and opaque options.



### Steamroom seating



#### Stool Corian 66

Ergonomic and easily portable stool.

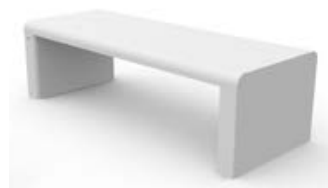
Size: 660 x 310 x 450 mm (LxDxH).

Item no. 96075060

#### Stool Corian 35

Size: 350 x 320 x 420 mm (LxDxH).

Item no. 96075065



#### CORIAN BENCH

Hard-wearing and hygienic bench for larger steam rooms.

##### **BENCH 1545**

Size: 1545 x 600 x 450 mm (LxDxH).

Item no. 96075050

##### **BENCH 1945**

Size: 1945 x 600 x 450 mm (LxDxH).

Item no. 96075052

##### **BENCH 2345**

Size: 2345 x 600 x 450 mm (LxDxH).

Item no. 96075054



# Atecpool Odyssey

## PRE-FABRICATED STEAM ROOMS

### Odyssey Pre-fab Steam Room

Description	Odyssey Pre-fab Steam Room
Material	Tempered glass, Acrylic 304 Stainless steel/ Aluminium alloy
Options	Frame color: Black/Grey Acrylic finish: White/Blue Plate material option: Acrylic Steam generator: TyloHelo steam generator with Pure/Elite



### Odyssey Features

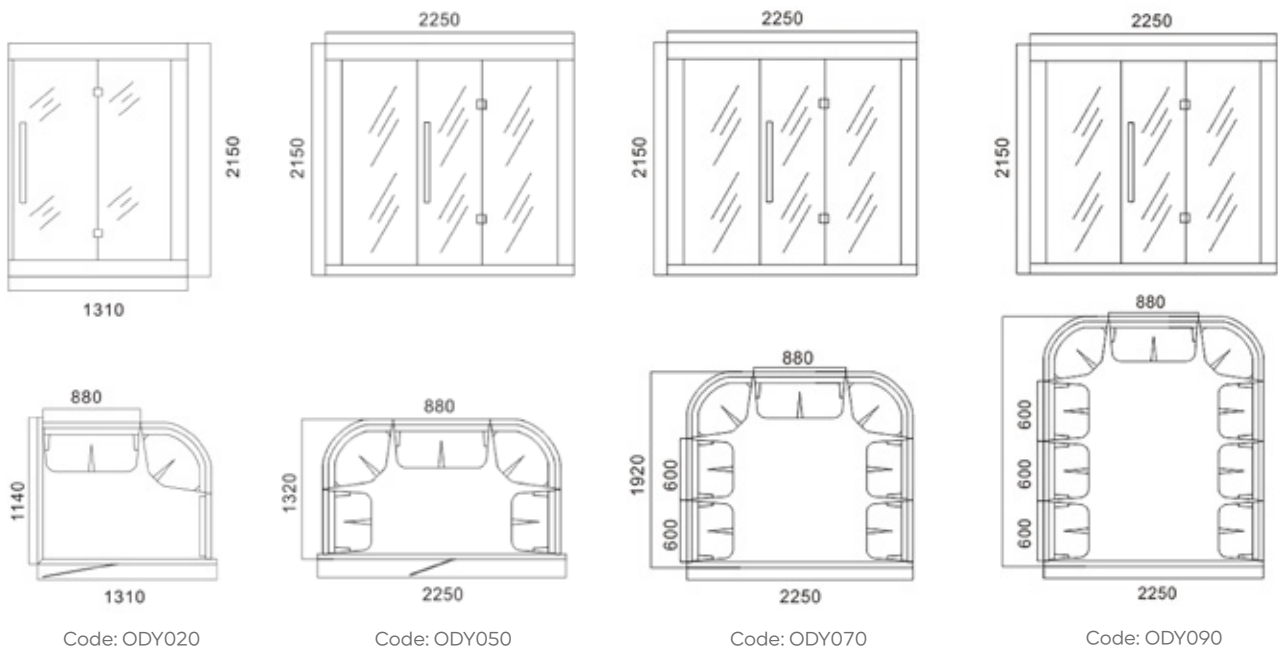
- Constructed of white, high-gloss, easy to clean panels that provide a bright bathing environment.
- Exterior surface and floor not provided.
- Individual molded seats in acrylic integrated into the walls.
- Recessed spotlight at the ceiling contributes to the feeling of clarity, space, and simplicity.
- The cabins can be customized with a choice of seating arrangements, glass panels, or service partitions.
- Equipped with a moveable shower.
- The cabins are sold without steam generator.
- The ceiling has been specially designed to prevent condensation drops from bothering users.

### Odyssey Interior



### Pre-fab steam room dimensions

We offer 4 different layout options, with configurations for 2 to 9 people.



# TyloHelo

## STEAM GENERATORS

### TyloHelo Steam Generators

The steam delivery happens quickly and quietly through specifically developed steam nozzles. Have your steam room always ready to go at a moments' notice through the convenience of stand-by mode.

TyloHelo has a strong tradition of providing steam generators for public and private use. Our latest series is fitted with a state-of-the-art control unit to ensure precise operation. Control the steam, lights, timer and other features at the simple touch of a button. Add fragrances and relax. Indulge yourself and all your senses.

### TyloHelo Steam Commercial and Steam Home

Super effective steam generators

#### Steam Home



Our latest compact and effective steam generator for home environments. It offers new and improved features such as stand-by, an aromatherapy option and improved protection against stoppages.

#### Steam Commercial



Our Steam Commercial steam generator is equipped with a large water tank and is designed to easily connect to our Multi-Steam function – an effective way to avoid stoppages in frequently used systems.

### Steam Generators

Model	Code	Output	Steam room's min./max. volume (m³)				Steam production	Size (LxWxH)	Suitable control panel
			Light wall made of glass plastic, Elysé Excellent room, etc.		Heavy wall made of tiles, concrete, stone, etc.				
		kW	With ventilation	Without ventilation	With ventilation	Without ventilation	kg/h	mm	
Steam Home	66210120	3 6 9	- 3-8 6-16	max. 3 4-15 13-24	- 2-5 4-10	max. 2 2.5-8 7-16	3.5 8 12	480 x 350 x 159	Elite or Pure
Steam Commercial	66210150 66210152 66210154	9 12 15	6-16 14-22 18-25	13-24 22-30 28-38	4-10 8-15 10-19	7-16 14-20 18-25	12 16 20	585 x 415 x 230	
Steam Commercial 2x9 2x12 2x15	66210150X2 66210152X2 66210154X2	18 24 30	20-30 28-40 36-50	28-40 38-50 56-76	13-20 18-30 32-42	18-30 28-40 42-57	24 32 40		
Steam Commercial 3x9 3x12 3x15	66210150X3 66210152X3 66210154X3	27 36 45	38-45 43-60 54-75	46-60 58-70 84-114	28-40 38-50 47-63	38-52 48-60 60-75	36 48 60		

# TyloHelo

## STEAM GENERATORS

### Helo Steam PRO

The new Helo Steam Pro generator automatically prevents overheating and dry running, should there be an interruption to the water supply. The generator saves time on maintenance and downtime thanks to its automated filling function. For added convenience flushing and emptying functions are available, as well as the possibility to run several units through serial connection.



### Helo Steam

The Helo Steam generator for private use is based on the newest available technology. It sets a whole new level for user interface and reliability. It comes equipped with two auxiliary compartments for salt/fragrances for added comfort. It is also possible to order it with optional drain valve and automatic flush functionality.



### Helo Steam Pro Specifications

- ➔ **Available sizes:**  
9.5 / 12 / 14 / 16 kW
- ➔ **Features:**  
Standby Function Automatic flush, Safety flush. Two aux outputs for fragrance/salt. Ganging with RJ connectors (1+2units). Resettable high limit switch. New drain valve
- ➔ **Available Add-on:**  
Push button for activation from Standby

### Helo Steam Specifications

- ➔ **Available sizes:**  
3.4 / 4.7 / 6 / 7.7 kW
- ➔ **Features:**  
Two aux outputs for fragrance/salt  
Resettable high limit switch
- ➔ **Available Add-on:**  
Automatic flush  
New drain valve

### Steam Generators: Helo Steam and Steam Pro

Model	Code	Power	Steam room's min./max. volume (m³)				Steam production	Size (LxWxH)	Suitable control panel
			Thin wall of glass or plastic		Heavy wall of tile, concrete or stone				
		kW	With ventilation	Without ventilation	With ventilation	Without ventilation	kg/h		
Helo Steam 34	002100	3.4	2-6	2-7	2-4	2-5	5	636 x 380 x 164	Elite or Pure
Helo Steam 47	002101	4.7	3-7	3-8	2-5	2-6	6	636 x 380 x 164	
Helo Steam 60	002102	6	4-9	4-13	3-6	3-7	8	636 x 380 x 164	
Helo Steam 77	002103	7.7	6-11	6-15	4-8	5-9	10	636 x 380 x 164	
Helo Steam Pro 95	002104	9.5	9-13	9-17	6-9	7-11	13	636 x 380 x 164	
Helo Steam Pro 120	002105	12	11-18	12-24	8-12	9-16	16	636 x 380 x 164	
Helo Steam Pro 140	002106	14	14-22	18-30	10-14	11-17	19	636 x 380 x 164	
Helo Steam Pro 160	002107	16	17-25	23-35	12-16	12-18	21	636 x 380 x 164	

\*All models are in black and installation is done on the wall

# TyloHelo

## STEAM ACCESSORIES

### TyloHelo Steam Accessories

#### Water softener

Code	Description
90908027	Water softener Premier Compact
90903005	Water softening salt (3-packs)
9090150H	Residential water softener
90903105	Water softening salt (1-pack)



90908027



90903005



9090150H



90903105



#### Bahia home and pro steam outlet

The Bahia steam outlet is the obvious choice for form, function and aesthetics. Tempered safety glass design with Corian® or high-gloss plastic.

Bahia Pro: tempered safety glass and Corian® Size: B:500mm / H:300mm. Code: 90029252

Bahia Home: tempered safety glass and high-gloss plastic. Size: B:280mm / H: 180mm. Code: 90029254



#### Steam outlet grace

Steam head with integral dispenser for Tylo fragrances. Connect to the steam generator's steam pipe. Code: 96000558



#### Steam Nozzle

Positioned within the cabin to provide the most effective distribution of steam. Code: 7819604

#### Fragrance Pump

Available as an option for your steam generator and connects directly to the outlet pipe. Add any 5-litre concentrated fragrance. Code: 101-120

#### Concentrated fragrance

Suitable for professional use.

Eucalyptus: code 90024000

Peppermint: code 90024004

Lavender: 90024002

Citrus: 90024006



#### Domes

Turn your shower into a steam bath with a one-piece dome in special-grade plastic with assembly profiles of natural anodised aluminium. Made to measure (TK special). Max. length 200 cm. Domes can be fitted with profiles and doors. Contact customer care for made-to-measure orders.



#### Auto Drain Valve

Automatically drains water tank after every use, reducing limescale and minimising downtime for service. Includes connecting cable. 230V AC / 5W / IP67. Code: 4310135

# TyloHelo

## DOOR FOR STEAM ROOMS

### TyloHelo Steam Accessories

#### Steam Room Door

Our top-quality doors are specially manufactured to withstand the considerable temperature differences between the outside and inside of the steam room without warping or becoming deformed.

Tempered safety glass door. Available with either tinted glass or clear glass. The new steam door G60 has no threshold, a major advantage in facilities requiring disabled access, and is fitted with four hinges to complement the designs of other doors in the DGL and DGB ranges.

#### Steam Door: tinted glass

9 x 19 right open Code: 90912250  
9 x 20 right open Code: 90912254  
9 x 21 right open Code: 90912258  
10 x 19 right open Code: 90912262  
10 x 20 right open Code: 90912266  
10 x 21 right open Code: 90912270  
9 x 19 left open Code: 90912274  
9 x 20 left open Code: 90912278  
9 x 21 left open Code: 90912282  
10 x 19 left open Code: 90912286  
10 x 20 left open Code: 90912290  
10 x 21 left open Code: 90912294



Type: Right open

Type: Left open

#### Steam Door: clear glass

9 x 19 right open Code: 90912252  
9 x 20 right open Code: 90912256  
9 x 21 right open Code: 90912260  
10 x 19 right open Code: 90912264  
10 x 20 right open Code: 90912268  
10 x 21 right open Code: 90912272  
9 x 19 left open Code: 90912276  
9 x 20 left open Code: 90912280  
9 x 21 left open Code: 90912284  
10 x 19 left open Code: 90912288  
10 x 20 left open Code: 90912292  
10 x 21 left open Code: 90912296



# TyloHelo

## STEAM ACCESSORIES

### TyloHelo Steam Accessories


#### Steam Room LED Lights

Helo Steam Room Lights are LED lights, rated IP67. The set includes 4 LED lamps with silver heads, 1.5 metres of cable to each lamp, and the adapter. The colour of the lighting is warm white. The lighting has the property of directed emission with the scattering angle of 35.



#### Specifications


- 4pcs 5mm DIP LED
- 1.5m wire for each LED
- Connector with 4pcs holes
- Adapter with 12V DC, 500mA, European plug
- 4pcs/set in a white box
- Cover color: Silver
- Lighting color: warm white/cool white
- Wattage 0.65W+10%
- Luminous 39.3lm+10%
- Cable working temp -20-+85°C
- LED diode working temp -20-+90°C
- Humidity 0-95%RH
- Input voltage AC/DC 12V
- Life time: 50,000h
- Scattering angle of 35 degrees

	Code	Description
	3815005	<b>Steam Room LED Light</b> 4pcs in a set with power adaptor 12V DC, 500mA cool white/warm white, IP67



#### Steam Room Lighting


Helo Steam Room Lights rated IP67.

	Code	Description
	90011098	<b>Downlight with Halogen LED adapter</b> Light round LED.



#### Steam Room Spotlight

Helo steam room spotlights rated IP65

	Code	Description
	90011040	<b>Spotlight LED steam</b> Small 4.3W minidown light Input voltage 230V AC

# Steam Room

## WALL / DOME CONSTRUCT

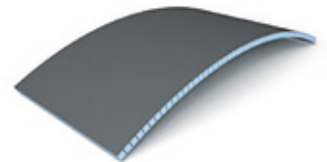
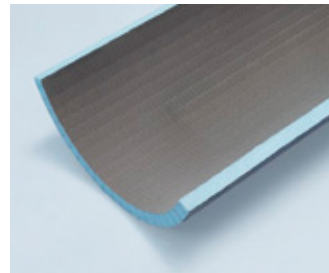
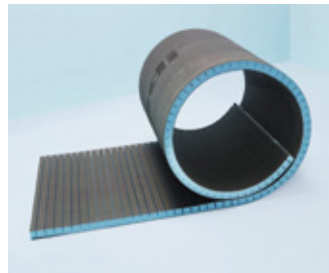
### Wall-Dome Construct

Atecpool building boards have a blue core made from CFC-free extruded polystyrene rigid foam.

This makes the Atecpool building board an ideal basis for any type of plaster and tile. Atecpool building boards can be applied to practically any substrate, waterproof, insulating, versatile, light and robust.

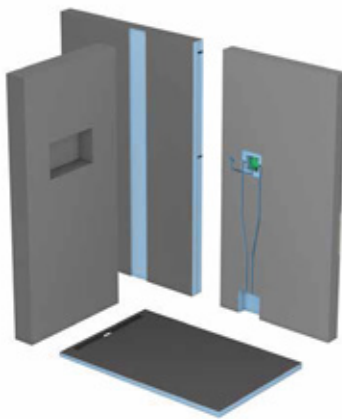
Atecpool Construct building board, offers many possibilities when it comes to designing customised forms. Whether you are looking for small radii or semicircular solutions, thanks to the pre-cut profiles the Construct building board gives you the freedom to be creative.

- The blue XPS core is 100% waterproof and remains fully functional even after possible damage.
- abP\*: building board butt joints can be sealed 100% simply by using adhesive sealant. As no other seal is necessary, craftsmen benefit from increased security accompanied by a shorter tiling time.
- The cemented surface is a good adhesive under-surface. The fibre fabric also absorbs tensile forces.
- All building board systems have great heat insulation properties,



### Atecpool Wall-Dome Construct

Shapeable building boards.



Code	Description	Dimensions (mm)		
		Length	Width	Thickness
W2500-600	Atecpool Building Board Wedi Construct	2500	600	30
W1200-600	Atecpool Building Board Wedi Construct	1200	600	20

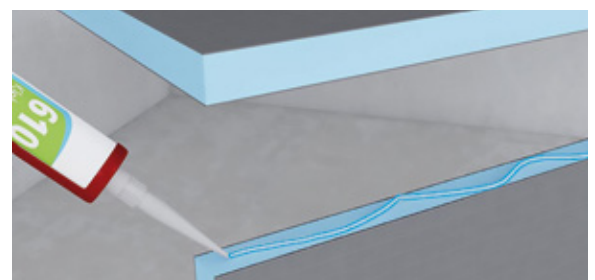
### Building board construct, lengthwise, calculation of diameter

Thickness	External diameter
mm	mm
30/20	538

### Adhesive Sealant

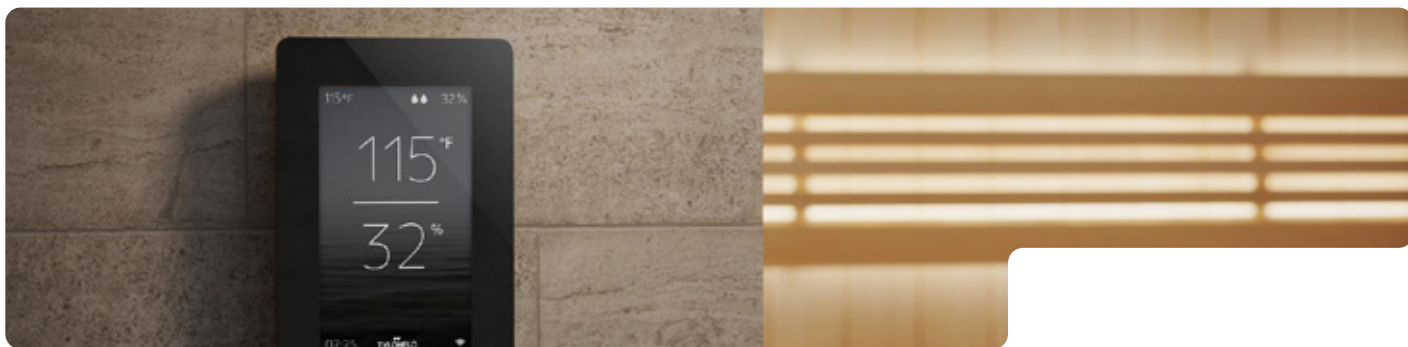
Assembly materials for building boards.

Code	Description	Content
		ml
SEAL310	Adhesive Sealant for Wedi Construct	310 ml



# TyloHelo

## CONTROL PANELS



### TyloHelo Control Panels

The user interface, developed for mobile devices and personal computers, perfectly emulates that of the steam room's or sauna's control panel. Through sensible engineering, the outcome is highly usable functionality, allowing bathers to log on to the control panel through the app over their local WiFi network and control their sauna and steam bath.

On both the control panel itself and via the app it is possible to create and save several different user profiles and favourite settings, and set different schedules. In commercial settings, it is possible to manage multiple units from one point of access, and set unique profiles for different locations.

### Elite > Effortless bathing



The new control panel Elite from TyloHelo is packed with advanced features, thanks to its internal processor and operating system. In addition to highly personalized settings, the Elite can be individually programmed according to your own schedule.

Add features such as auxiliary fans, fragrance pumps or lights – the Elite control panel handles it all with clear and concise precision. The 4.5-inch touch screen delivers real-time status on every aspect of your sauna and steam bath. Naturally, it includes steam and temperature settings and local WiFi app-connectivity.

### Features

- ➔ Set temperature and humidity
- ➔ Can create multiple user profiles
- ➔ Control sauna/steam via local WiFi and app
- ➔ Set different schedules for different week days
- ➔ Set specific profiles for specific times or dates
- ➔ Instant fault notification

### Pure > Intuitive design and features



The elegant, compact design of TyloHelo's Pure control panel makes it the go-to choice for those who value functionality and simplicity. The thin black control lets you set the lighting, temperature and sauna time easily with only a few touches. Of course, choosing the start time up to ten hours in advance means you can step into a wonderfully hot sauna or steam as soon as you get home (Door contact needs to be added).





### Features

- ➔ Touch control
- ➔ Temperature Display
- ➔ Set temperature/bath time
- ➔ Delayed start and Lighting control

# TyloHelo

## CONTROL PANELS

### TyloHelo Control Panels

	Model	Code	Size WxHxD mm	Features	For sauna or steam?	Suitable sauna heater	Relay box required?	Suitable steam generator
	Pure	72001430	85x127x12	Thermostat controlled touch control panel, for installation inside or outside the sauna or steam room.	Both	Sense Pure - included	No	Steam Home Steam Commercial
						Sense Combi Pure - included	No	
						Expression	Yes, relay box Commercial Lite	Helo Steam Helo Steam Pro
						Sense Commercial 6–10 kW	Yes, relay box Commercial Lite	
						Sense Commercial 16–20 kW	Yes, relay box Commercial	
	Elite	72005040	85x127x12	The multi-disciplinary control panel is packed with advanced features, thanks to its internal processor and operating system. Naturally it includes energy saving functions and WiFi/App connectivity.	Both	Sense Elite - included	No	Steam Home
						Sense Combi Elite - included	No	
						Expression	Yes, relay box Commercial Lite	Steam Commercial Helo Steam Helo Steam Pro
						Sense Commercial 6–10 kW	Yes, relay box Commercial Lite	
						Sense Commercial 16–20 kW	Yes, relay box Commercial Lite	
	OT 2 PLE	OT2PLE	250x220x80	Control Unit, 400V, 3 phase, white.	Sauna	Helo Cup	No	No
	WE40	001352	-	WE 40 contactor box is compatible with the SKLE heater models 1051 - 1501 and with Cup heaters with an efficiency of 4.5 - 9 kW. Connection to PURE or ELITE panel through Contactor Box (WE40) for CUP and SKLE.				
	WE50	001351	-	WE 50 is for 230-240V 3 ~ voltage. SKLA models 181, 210, 260. Connection to PURE or ELITE panel through Contactor Box (WE50) for SKLA.				



# TyloHelo

## INFRARED CABINS

### TyloHelo Infrared Cabins > Relax and Detox

With rapid heat-up time, your infrared room is energy efficient and ready-to-go at the blink of an eye. Experience the deep-penetrating heat that infrared heat therapy rooms and panels can provide. The infrared waves reach deeper into your tissues, relieving aching muscles of pain and stiffness.



### Benefits of Infrared Bathing

#### 1. Time-friendly

There's no waiting for an infrared sauna to heat up, so you can easily enjoy its benefits anytime.

#### 2. Planet-friendly

Even with daily use, Infrared technology uses as little or less electricity than many other common household appliances.

#### 3. Family-friendly

Infrared saunas are safe and easy to use for kids and adults alike.

#### 4. Releases muscle tension

The gentle warmth of infrared heat therapy rooms loosens muscle knots and relieves back pain. For active people the infrared treatment releases muscle tension and helps to prevent injuries and regenerate faster from training.

#### 5. Prevent flu and cold

Infrared sauna boosts blood circulation and helps stimulate the production of white blood cells, aiding the immune system in its response to virus and bacteria. Regular sauna bathing dramatically lowers the risk of catching common colds, even those caused by viruses.

#### 6. Stress less and relax more

Finding stress relief and ways to relax is fundamental to our health. Infrared sauna promotes relaxation and balances the body's levels of cortisol. Cortisol is a stress hormone, and excessive amounts of it can result in many different health issues such as a weaker immune system, weight problems and insomnia. The heat also raises the amount of serotonin, the "feel good-hormone", in our blood.

#### 7. Supporting heart health

The high temperatures in the sauna increase the heart rate, thereby giving the heart a healthy "workout". Infrared saunas can also lower blood pressure, something that provides a similar effect.

# TyloHelo

## INFRA-RED CABINS

### Infrared Rooms

#### T-810 Series 1-Person



Size: 913x913x1938mm  
Code: 95109100

Size: 913x913x1938mm  
Code: 95109110

#### T-870 Series 3-Person



Size: 1301x1301x1938  
Code: 95109106

Size: 1301x1301x1938  
Code: 95109116

#### T-820 Series 2-Person



Size: 1213x1013x1938mm  
Code: 95109102

Size: 1213x1013x1938mm  
Code: 95109112

#### T-825 Series 2-3 Person



Size: 1633x1078x1938mm  
Code: 95109104

Size: 1633x1078x1938mm  
Code: 95109114

#### Combination Sauna 2 in 1

Why limit your sauna enjoyment? Enjoy the infrared heat in a traditional Tylo sauna! Our efficient IR panels are in hemlock wood and the fabric is now available in both black and grey. Install as separate panels in an existing traditional sauna room or as a complete set in a separate infrared sauna room.



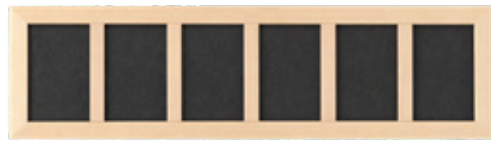
# TyloHelo

## INFRA-RED CABINS



### TyloHelo Infrared Cabins > Relax and Detox

Fast assembly with no tools—with wall panels mounted onto an easy-fit base and topped with easy-fit ceiling panel. Prefabricated wall panels, benches and floor in clear Hemlock—for a sauna with “furniture quality”. The exterior surfaces are finished with biodegradable wood treatment—for a more luxurious look and for ease of maintenance. The CarbonFlex® infrared heaters, integral with wall panels, with heater surface area and wattage designed to give even, enveloping heat on all sides. Custom built infra room panels are controlled using Elite Control panel with relay box Commercial Lite.



### Infra Panel

**Black** 980 x 360 mm, 150w, 230V. Code: 90011295

**Grey** 980 x 360 mm, 150w, 230V. Code: 90011302

**Black** 980 x 680 mm, 300w, 230V. Code: 90011298

**Grey** 980 x 680 mm, 300w, 230V. Code: 90011304

**Black** 980 x 275 mm, 100w, 230V. Code: 90011300

**Grey** 980 x 275 mm, 100w, 230V. Code: 90011306



### Infra Wi-Fi IR2 Control Panel

- ➔ Custom built infra room panels are controlled using Elite Control panel with relay box Commercial Lite.
- ➔ Wi-Fi capability
- ➔ Mobile app available with worldwide functionality from anywhere there is cell or data service
- ➔ Dimensions: H 141 mm, W 84,5 mm, D 8 mm
- ➔ Intuitive display (time/temp/lighting/system status)
- ➔ 24-hour time delay via Mobile App
- ➔ 60-minute timer Built-in RGBW light control with dimmer
- ➔ Built-in Bluetooth audio
- ➔ Voice control compliant with Alexa, Google and Siri

### Color therapy > Psychological and therapeutic effects of color.

Psychological and therapeutic effects of color.



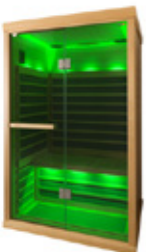
#### Red

Is the symbol of love and of life itself; with its penetration power, which is the highest of all colours; it is recommended for treatment of impeded circulation, muscles and heart. It generates enthusiasm, arouses passion and has a cheering effect.



#### Yellow

Is a clear purifying colour, which stimulates clarity of intellect, as well as toxin processing and elimination. It can help with learning disabilities and with strengthening of the endocrine functions.



#### Green

Is a cooling, sedating colour, which helps reduce swelling of joints and tissues; it calms the body and helps reduce inflammation. It's the colour of the relaxed heart.



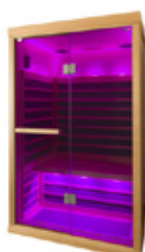
#### Turquoise

Is the colour for mental relaxation and tackling embedded psychological barriers. It acts as a tonifier and can help regulate imbalances in the lung and large intestine system. It is a colour that facilitates spiritual growth.



#### Blue

Is a cool colour that has a calming effect, inside as well as on the outside. It is very helpful in treating sleep disorders and headaches, yet also smooth elasticity of muscles in the organism. It helps in all kinds of cramps and can have an antibacterial effect.



#### Violet

Promotes awareness and consciousness. It increases effects of meditation. It promotes proper functioning of the lymphatic system and is a very helpful in times of menopause. It is the colour for neutralizing emotional wounds and for spiritual growth.

# Experience Shower

## NIAGARA RAIN STAINLESS STEEL

Niagara rain experience shower with ceiling element SS

### FUNCTION DESCRIPTION

#### Programme 1: Tropical Rain

After the start of the programme by a button, the light in the shower changes from white to red. A warm Tropical Rain with big, smooth drops patters onto the guest in the shower. You hear birds tweeting. After the end of the programme, the illumination changes back to white, the Tropical Rain and the sound are switching off.

#### Programme 2: Fog Shower

After the start of the programme by a button, the light in the shower changes from white to blue. A cold, refreshing Fog with very fine droplets starts to spray. In a distance you hear the sound of waves and sea. After the end of the programme, the illumination changes back to white, the Fog and the sound are switching off.

#### Programme 3: Niagara Rain

The programme starts with the cold, refreshing Fog Shower and blue light. In a distance, you hear the sound of waves and sea. In the following, the warm Tropical Rain with big, smooth drops increases the water volume and works together with the cold Fog. The illumination in the shower changes to a red-green colour change. In the last step of the programme, the warm Tropical Rain stops and the programme finishes with the cold Fog and a bluegreen colour change. After the end of the programme, the illumination changes back to white, the Fog and the sound are switching off.



#### Niagara rain control panel parts

Control panel incl. listed parts, pre-tubed, pre-wired and pre-mounted on PP board grey

- ➔ 2 x inlet with pre-filter and ball valve MS 1/2" IG
- ➔ JRG 1/2" thermostatic mixer with check valves
- ➔ 2 x outlet with solenoid valve 1/2" and screw connection 1/2"
- ➔ Microprocessor controller EDS1 in housing

### Parts included



- ➔ 1 x Ceiling element stainless steel chrome optic (Rain Shower, Mist - 8 LED RGB Spots)
- ➔ 1 x Push-button plate 3-fold stainless steel polished
- ➔ 1 x Sound module with MP3 player
- ➔ 1 x Damp room loudspeaker

### Technical Data

Code	ESNIAGARA103
Description	Niagara Experience Shower SS
Electrical supply	230 V AC, 50 Hz
Power supply	100 W
Water supply	2 x 1/2" female thread
Dimensions WxHxD	500 x 650 x 200 mm
Weight	7 kg

### Niagara Rain experience shower SS



# Experience Shower

## NIAGARA RAIN PVC

Niagara rain experience shower with ceiling element PVC

### FUNCTION DESCRIPTION

#### Programme 1: Tropical Rain

After the start of the programme by a button, the light in the shower changes from white to red. A warm Tropical Rain with big, smooth drops patters onto the guest in the shower. You hear birds tweeting. After the end of the programme, the illumination changes back to white, the Tropical Rain and the sound are switching off.

#### Programme 2: Fog Shower

After the start of the programme by a button, the light in the shower changes from white to blue. A cold, refreshing Fog with very fine droplets starts to spray. In a distance you hear the sound of waves and sea. After the end of the programme, the illumination changes back to white, the Fog and the sound are switching off.

#### Programme 3: Niagara Rain

The programme starts with the cold, refreshing Fog Shower and blue light. In a distance, you hear the sound of waves and sea. In the following, the warm Tropical Rain with big, smooth drops increases the water volume and works together with the cold Fog. The illumination in the shower changes to a red-green colour change. In the last step of the programme, the warm Tropical Rain stops and the programme finishes with the cold Fog and a bluegreen colour change. After the end of the programme, the illumination changes back to white, the Fog and the sound are switching off.



#### Niagara rain control panel parts

Control panel incl. listed parts, pre-tubed, pre-wired and pre-mounted on PP board grey

- 2 x Supply with pre-filter and ball valve MS ½" female thread
- Thermomixer JRG ½" with non-return valves
- 2 x Outlet with solenoid valve ½" and screwing ½"
- Microprocessor controller EDS1 in housing

### Parts included



- 1 x Ceiling element PVC white Ø 800 x 19 mm, with 3 LED spots RGB Ø 48 mm, including SAU light control and 7 m connection cable with 4 connections for 4 nozzles
- 1 x Button plate 3-fold aluminum dibond
- 1 x Sound module with MP3 player
- 1 x Damp room loudspeaker

### Technical Data

Code	ESNIAGARA107
Description	Niagara Experience Shower PVC
Electrical supply	230 V AC, 50 Hz
Power supply	100 W
Water supply	2 x ½" female thread
Dimensions WxHxD	500 x 650 x 200 mm
Weight	7 kg

### Niagara Rain experience shower PVC



# Vichy Shower

## THERMOTHERAPY SHOWER

### Atecpool Vichy Rainbow Shower

Atecpool Vichy shower head is equipped with micro nozzles assembled in two rows. It sways back and forth, showering the body from feet up to neck. Very fine water jets massage the body simulating sea waves, a gentle rain shower or intensely stimulating drops. The water flows over sparkling Swarovski crystals that diffuse flicker-free coloured LED light onto the body for the ultimate relaxation shower. The Vichy Rainbow Shower needs 150-250 litres of water per treatment, the same as for a bath.

### Atecpool Vichy Rainbow Shower Components

- 1xShower arm incorporating the drive motor for permanent swiveling of the shower pipe. Color: white.
- 1xHose in hose construction for an even water distribution over the entire body and for the integration of the LED spots and Swarovski-Crystals.
- 1xInstallation casing, in design adapted to the shower arm, to incorporate the fittings as well as the thermostatic mixer with scalding protection and valves.
- Color: white.
- 1xElectronic control unit with digital display for the functional sequences.
- 1xDosing pump system for adding cosmetic and therapeutical products, electronically controlled.
- 1xTank for placing the products and the suction connection.
- 2xMeasuring vessels for 50 ml and 200 ml.
- 2xMagnetic valves to regulate the mixed water and to control the "cold water" sequence, controlled by remote air switch.
- 1xAdditional shower fittings for cleansing purposes with shut-off valve, shower head and mounting device.
- 1xSet of high-pressureconnection hoses.

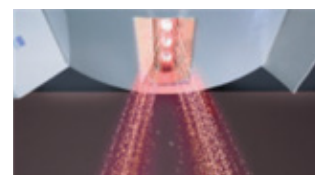
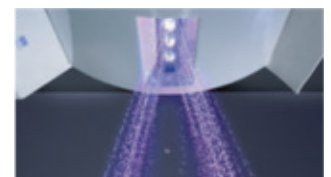
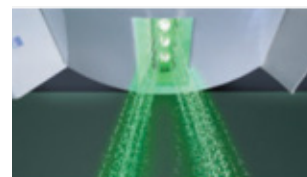
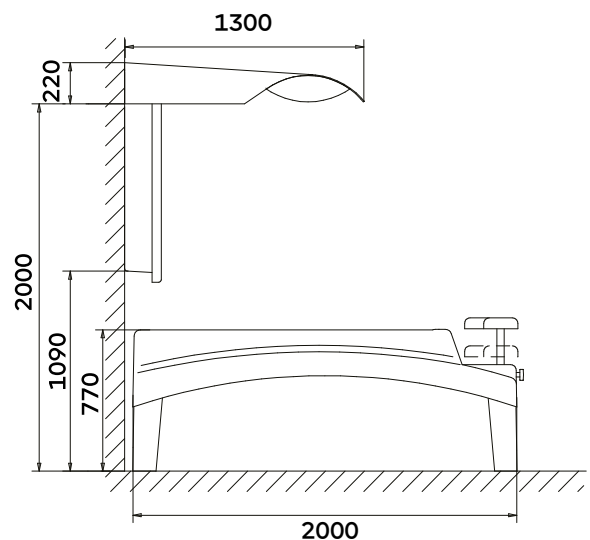
### Vichy Couch

The comfortable couch made of plastic material is ideally suited to wet areas. The lying surface is made of high-quality, textured acrylic glass. It has a high degree of comfort due to the height-adjustable head board, the lower-positioned arm supports and the splash guard.



### Technical Data

Code	VICHY710
Description	Atecpool Vichy Rainbow Shower
Dimensions (LxWxH)	1300 x 650 x 1170 mm
Electric supply	230 V, 50 Hz, 100 Watt



# Atecpool Cryotherapy

## THERAPEUTIC THERMAL CONTRAST

### Atecpool Cryo Chamber Y07

Atecpool Cryo Chamber Y07 that uses liquid nitrogen to quickly lower the ambient temperature, stimulating the body's self-repair and effectively relieving pain. Designed for ultimate recovery and performance, it targets the body while excluding the head and offers personalized customization options.

#### Advantages of Cryo Chamber Y07

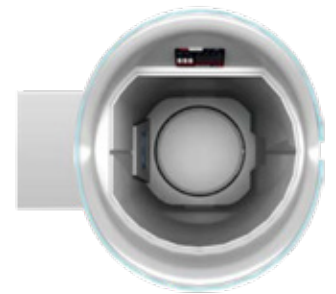
- Speed pre-cooling intelligent temperature control
- Signs monitoring
- Real-time monitoring of liquid nitrogen consumption
- Mobile remote control
- PMMA Material
- Large screen display
- Electrical shock resistance test
- Automatic electric door

#### Technical Data

Code	CRYOY07
Description	Atecpool Cryo Chamber Y07
Maximum power	2300W/220V
Cryotherapy temperature range	0°C ~ -180°C
Liquid nitrogen consumption rate	1.5L/min/0.5Mpa
Maximum working pressure	2.0Mpa
Oxygen Supply Rate	0.651m <sup>3</sup> /min
Chamber size (L x W x H)	1600x1000x2400mm
Expanded size (L x W x H)	2300x2200x2400mm



Expanded View



Top View

#### Key features of Cryotherapy



Improves sleep



Promotes collagen



Burns fat



Reduces injury



Improves performance

### Atecpool Cryo Chamber Electric E08

Atecpool Cryo Chamber Electric machine uses freshly oxygenated cool air to fill the chamber, exposing your entire body to ultra-low temperatures for full-body cooling. Atecpool's electric full-body cryo chamber is super-efficient, safe, and convenient, providing unlimited cooling energy for daily use.

#### Technical Data

Code	CRYOE08
Description	Atecpool Cryo Chamber E08
Maximum power	14kW/380V
Cryotherapy temperature range	0°C ~ -130°C
Air Duct Type	Surround Cold Recovery
Cabin Size	2000x1400x2450mm (L x W x H)
Refrigeration Method	Electric Refrigeration
Refrigeration mode	5kW
Maximum Pressure	2.0Mpa
Oxygen Supply Rate	0.651m <sup>3</sup> /min
Operation Mode	Tablet + Screen + Physical Buttons



#### Advantages of Cryo Chamber E08

- Precise temperature control technology.
- Extremely fast pre-cooling technology.
- Real-time sign monitoring technology.
- Low-temperature equilibrium surround technology.
- Environmental Drying Technology.
- Humanized regulation.
- Intelligent voice control.

# Gassner Ice Mirror Tub

## THERAPEUTIC THERMAL CONTRAST



### Gassner Ice Mirror Tub

#### Longevity through the power of water.

The ICE MIRROR TUB is a compact designer tub for flexible, holistic, year-round plug-and-play use. It is the secret to enhanced well-being and regeneration, combining conscious and mindful bathing in cold and warm water. Whether after a workout, a long day at work, or as a mindful ritual: the targeted use of cold and heat.

- activates vital processes such as metabolism and blood circulation
- stimulates the release of the body's own happiness hormones
- promotes mental balance
- accelerates muscle recovery
- reduces stress
- lifts your mood and increases energy
- improves sleep quality

#### Ice bathing at the highest level

The tub was deliberately designed to be compact, featuring an ergonomically shaped stainless steel body, elegant natural stone contours, and high-quality, weather-resistant real wood cladding.

Experience stainless steel in its most beautiful form, with a wide range of upgrade options and customizable shapes. Whether comfortable headrests, elegant light lines, or wood paneling tailored to your interior design concept – the ICE MIRROR TUB blends harmoniously into your personal environment.

#### Specifications

- Ergonomically shaped stainless steel body
- Elegant natural stone surround
- Resistant real wood cladding
- High-quality thermal cover
- Advanced water treatment and technology
- Smart control via app

#### Technical Details

- External dimensions: 2000 x 1160 x 670 mm
- Internal dimensions: 1640 x 800 x 560 mm
- Water volume: approx. 400 L
- Empty weight: 250 kg

Code	Description
ICEBATHMIRROR	Gassner Ice Tub

**3°C**  
pure kick upto

**40°C**  
pure relaxation

#### The Perfect Moment in Stainless Steel.

Designed as a space-saving one-piece tub, the ICE MIRROR TUB fits perfectly into any indoor or outdoor environment – such as gardens, terraces, training areas or spas. Thanks to its plug-and-play system, it's ready for immediate use.

Equipped with a powerful heat pump, it offers dual temperature control from 0–40 °C – ideal for contrast therapy. This flexibility allows for both invigorating cold stimulation and soothing warmth, tailored to personal needs and the season.

The durable stainless steel surface is hygienic, easy to clean, and low-maintenance. Installation and setup are quick and straightforward.



# Atecpool Ice bath

## THERAPEUTIC THERMAL CONTRAST

### Atecpool Ice bath

Ice baths offer several health benefits backed by scientific research, including:

#### Sports Recovery and Better Performance

Ice baths have become a widely used method among athletes to speed up muscle recovery after intense workouts or competitions.

#### Stress Relief and Better Sleep

Cold therapy may help lower chronic inflammation and night time stress hormones, promoting better relaxation and sleep quality.

#### Increase Metabolism

Cold exposure can significantly boost metabolism by activating brown fat, leading to greater calorie burn and heat production.



### Ice bath specifications

Description	Atecpool Ice bath
Code	ICEBATH
Product size	1950x900x710mm
Bath tub material	High Strength Acrylic
Frame	Stainless steel
Built-in chiller	1HP Chiller
Paper core filter system	Yes
Filtration system	Yes
Ozone Disinfection	Yes
LED light	Yes



### Technical Data

Description	Unit	Atecpool Ice bath
Approximate Chilling Time From 23°C to 5°C	hrs	5
Heating Water Temp. Range	°C	15~40
Cooling Water Temp. Range	°C	28~2
Operating Ambient Temp. Range for Heating	°C	-5~43
Operating Ambient Temp. Range for Cooling	°C	10~43
Power Supply		220-240v~/50Hz
Refrigerant		R32
Max. Refrigerant Pressure	Mpa	4.4
Water Flow Volume	m³/h	2.4
Circulation Pump Power Input	W	180
Water Filter		Built-in Paper Filter
Filtration System		20 Micron Filter
Disinfection		Built-in Ozone
Isolation		Polyurethane Foam
Water heat Exchanger		Titanium
Compressor Brand		GMCC
Compressor Type		Rotary
Air Flow Direction		Horizontal
Display		LED screen
Wi-Fi Function		Yes
Max. Power Input	W	1335
Max. Running Current	A	15
Sound Pressure Level at 1m	dB(A)	52
Water Proof Level		IPX4
Net Weight	kg	140
Pillow		Optional

The above data are for reference only, the specific data are subject to actual product.



# Warming Mat

## ATECPOOL HEATING MAT

### Atecpool Warming Mat - Floor warming Systems

Combine the highest comfort levels with maximum energy efficiency. It's a proven technology which is safe, reliable and energy efficient.

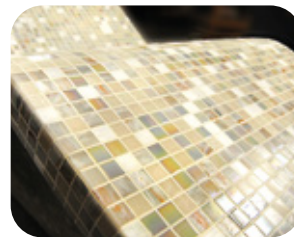
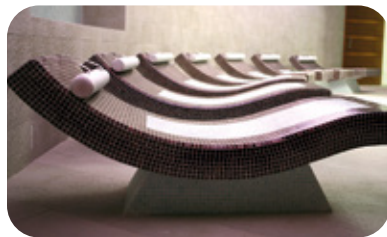


### Features

- Single point connection
- Twin conductor cable
- Emits zero EMF (electromagnetic fields)
- Safety approved for wet locations
- Flexible installation
- Durable construction
- 25-year limited warranty against manufacturing defects
- The Warming Mat system includes a blue heating cable woven into an adhesive-backed red fiberglass mesh that allows for simple roll-out installation without worrying about heating cable spacing.

### Atecpool Warming Mat - Heated Massage Beds

Tiled Massage beds with ATECPOOL Warming Mat. Used in Moroccan baths and Turkish Hamams for heated surface. Warming Mat applied beneath the plastering below the tiles with safety features. Completely regulated temperature control and easy installation.



### Technical Data

<b>Cable Construction:</b>	<b>Twin conductor</b>
<b>Rated Voltage:</b>	230V
<b>Output:</b>	150W/m <sup>2</sup> and 200W/m <sup>2</sup>
<b>Cable Spacing:</b>	80mm (150W/m <sup>2</sup> ) and 80mm (200W/m <sup>2</sup> )
<b>Cable Diameter:</b>	3.6mm
<b>Conductor Insulation:</b>	Fluoropolymer
<b>Outer Insulation:</b>	PVC
<b>Max. Ambient Temp:</b>	85°F (30°C)
<b>Min. Installation Temp:</b>	40°F (5°C)
<b>Cold Lead</b>	2-wire plus ground braid; 2.5m length



# Warming Mat

## ATECPOOL HEATING MAT

### Atecpool Warming Mat - Touch Screen Programming Thermostat

Weekly circulation digital programming thermostat with LCD touch screen, which has 6 events everyday. Manual and programming mode could be selected. The thermostat is recommended for control of electric heating devices.

Code	Voltage	Dimensions	Power	Amps
	V	mm	W	A
WMTS001	220 / 230	86x86x44	2	15 (max)



### Atecpool Warming Mat - Floor warming Systems

Selection of Warming Mat based on the floor material, thickness and area. Used with wood, tiles, marble and stone flooring. Maximum finishing thickness up to 1cm. For finishing above 1cm thickness, contact sales support.

Code	Heated Area	Mat Dimensions	Power (150W/m <sup>2</sup> )	Amps	Resistance
	m <sup>2</sup>	m x m	W	A	Ω
WM150-1	1	0.5x2	150	0.7	352.7
WM225-1	1.5	0.5*3	225	1	235.1
WM300-2	2	0.5*4	300	1.3	176.3
WM375-2	2.5	0.5*5	375	1.6	141.1
WM450-3	3	0.5*6	450	2	117.6
WM535-3	3.5	0.5*7	525	2.3	100.8
WM600-4	4	0.5*8	600	2.6	88.2
WM675-4	4.5	0.5*8	675	2.9	78.4
WM750-5	5	0.5*10	750	3.3	70.5
WM900-6	6	0.5*12	900	3.9	58.8
WM1050-7	7	0.5*14	1050	4.6	50.4
WM1200-8	8	0.5*16	1200	5.2	44.1
WM1350-9	9	0.5*18	1350	5.9	39.2
WM1500-10	10	0.5*20	1500	6.5	35.3
WM1800-12	12	0.5*24	1800	7.8	29.4

Code	Heated Area	Mat Dimensions	Power (200W/m <sup>2</sup> )	Amps	Resistance
	m <sup>2</sup>	m x m	W	A	Ω
WM200-1	1	0.5*2	200	0.9	264.5
WM300-1	1.5	0.5*3	300	1.3	176.3
WM400-2	2	0.5*4	400	1.7	132.3
WM500-2	2.5	0.5*5	500	2.2	105.8
WM600-3	3	0.5*6	600	2.6	88.2
WM700-3	3.5	0.5*7	700	3	75.6
WM800-4	4	0.5*8	800	3.5	66.1
WM900-4	4.5	0.5*8	900	3.9	58.8
WM1000-5	5	0.5*10	1000	4.3	52.9
WM1200-6	6	0.5*12	1200	5.2	44.1
WM1400-7	7	0.5*14	1400	6.1	37.8
WM1600-8	8	0.5*16	1600	7	33.1
WM1800-9	9	0.5*18	1800	7.8	29.4
WM2000-10	10	0.5*20	2000	8.7	26.5
WM2400-12	12	0.5*24	2400	10.4	22

# Wellness

## PORTABLE SPAS

### Spa Patio

#### Specifications

- Size: 1900x1350x780mm
- Capacity (Loungers): 2
- Voltage: 220/50~60Hz
- Water Jets + Air Jets = 22+ 12
- Water Capacity: 650L
- 1 LED Underwater Light
- Heavy Duty SPA Cover
- Side waterfall
- Balboa Control System
- Wooden Cabinet



### Spa Bonaire

#### Specifications

- Size: 2300 X 2300 X 980mm
- Capacity (seats / loungers): 5 (3 / 2)
- Power consumption: 6500W  
220 ~ 240V / 50 ~ 60Hz
- Water Jets + Air Jets = 87 + 12
- Pop-up Head rest: 3
- Balboa Control System
- Wooden Cabinet w/ steps
- Heavy duty Spa Cover
- Acrylic Shell



# Wellness

## PORTABLE SPAS

### Spa Bora Bora

#### Specifications

- Size: 2400 X 2400 X 980mm
- Capacity (seats / loungers): 5 (4 / 1)
- Power consumption: 7500W  
220 ~ 240V / 50 ~ 60Hz
- Water Jets + Air Jets = 87 + 12
- Pop-up Head rest: 5
- Balboa Control System
- Wooden Cabinet
- Heavy duty Spa Cover
- Acrylic Shell



### Spa Lanzarote

#### Specifications

- Size: 2400 X 2400 X 930mm
- Capacity (seats / loungers): 7 (5 / 2)
- Power consumption: 7000W  
220 ~ 240V / 50 ~ 60Hz
- Water Jets + Air Jets = 195 + 12
- Pop-up Head rest: 4
- Balboa Control System
- Wooden Cabinet w/ steps
- Heavy duty Spa Cover
- Acrylic Shell



# Wellness

## PORTABLE SPAS

### Spa Ibiza

#### Specifications

- ➔ Size: 2180 X 1900 X 995mm
- ➔ Capacity (seats / loungers): 3 (2 / 1)
- ➔ Power consumption: 220 ~ 240V / 50 ~ 60Hz
- ➔ Water Jets + Air Jets = 46 + 12
- ➔ Pop-up Head rest: 3
- ➔ Balboa Control System
- ➔ Wooden Cabinet w/ steps
- ➔ Heavy duty Spa Cover
- ➔ Acrylic Shell



### Spa Corsica

#### Specifications







- ➔ Size: 2900 X 2300 X 980mm
- ➔ Capacity (seats / loungers): 8 (7 / 1)
- ➔ Power consumption: 7500W 220 ~ 240V / 50 ~ 60Hz
- ➔ Water Jets + Air Jets = 108 + 12
- ➔ Pop-up Head rest: 4
- ➔ Balboa Control System
- ➔ Wooden Cabinet w/ steps
- ➔ Heavy duty Spa Cover
- ➔ Acrylic Shell



# Wellness

## PORTABLE SPAS

### Above Ground Spas with cabinet - Comparison

Code	Spa Patio	Spa Bonaire	Spa Bora Bora	Spa Lanzarote	Spa Ibiza	Spa Corsica
						
General Information						
Size (mm)	1900X1350X780	2300x2300x980	2400x2400x980	2400x2400x930	2180x1900x995	2900x2300x980
Water capacity (gal)	180	286	352	396	220	380
Colour	White	White	White	White	White	White
Capacity (persons)	2	5	6	7	3	8
Power supply	220V/50~60HZ	220~240V/50~60HZ	220~240V/50~60HZ	220~240V/50~60HZ	220~240V/50~60HZ	220~240V/50~60HZ
Shell	Acrylic	Acrylic	Acrylic	Acrylic	Acrylic	Acrylic
Composition						
Hot Tub	1	1	1	1	1	1
Head rest	2	3 (pop-up)	5	4	3	4 (pop-up)
Steel frame	1	1	1	1	1	1
Water Flow Equipment	-	1	-	-	-	1
Waterfall	1	-	1	1	-	-
LED Air Jets	-	12	-	-	12	12
Air Jets	12	-	12	12	-	-
Water jets	22	87	87	142	46	77
Fountain jets	-	-	2	2	-	-
Swim jet	-	-	-	-	-	-
Shoulder Massage Jets	-	-	-	2	-	-
Hydro Therapy Jets	22	28	33	17	-	31
LED Lights	1	-	1	1	-	-
Fiber Optic Lights	-	34	33	36	29	43
Fountain valves	-	-	1	1	-	-
Water Flow Valves	-	1	-	-	-	1
Waterfall Valves	1	-	1	1	-	-
Shoulder Massage Valves	-	-	-	1	-	-
Drain valves	1	1	1	1	-	1
Intake valves	1	3	4	5	3	5
Diverter valves	1	1	2	2	1	2
Air Control valves	2	3	5	5	3	5
Wooden cabinet	●	●	●	●	●	●
Insulation	●	●	●	●	●	●
Heavy Duty Spa Cover	●	●	●	●	●	●
Wooden Step	●	●	●	●	●	●
Aromatherapy	●	●	●	●	●	●
View Pump	-	-	-	-	-	-
Hydro Massage Pump	1 x 3.0 HP	1 x 3.0 HP / 2 x 2.0 HP	3 x 2.0 HP	1 x 3.0 HP / 2 x 2.0 HP	1 x 3.0 HP / 1 x 2.0 HP	2 x 3.0 HP / 1 x 2.0 HP
Circulation Pump	1 x 0.35 HP	1 x 1.0 HP	1 x 1.0 HP	1 x 1.0 HP	1 x 0.35 HP	1 x 1.0 HP
Swim Pump	-	-	-	-	-	-
Fountain Pump	-	-	1 x 0.35 HP	1 x 0.35 HP	-	-
Air Blower	1 x 0.7 kW	1 x 0.7 kW	1 x 0.7 kW	1 x 0.7 kW	1 x 0.7 kW	1 x 0.7 kW
Ozonator	1	1	1	1	1	1
Heater	1 x 3.0 kW	1 x 3.0 kW	1 x 3.0 kW	1 x 3.0 kW	1 x 3.0 kW	1 x 3.0 kW
Cartridge Filter	1	1	-	-	1	1
Pressure Filter	1	1	-	-	1	1
Skimmers	1	-	2	2	-	-
Controller	1	1	1	1	1	1
Optional						
Balboa Control System	●	●	●	●	●	●
Swim tether	-	-	-	-	-	-
Aquatic Rowing System	-	-	-	-	-	-
Aquatic Fitness Rope	-	-	-	-	-	-
Bar + Stool Package	-	●	●	●	-	●
15" Television	-	● (Inward)	Included (32", Inward)	(Inward, Outward, Pole)	(Pole)	● (Inward)
Topside Music	●	●	Included (4 nos)	●	●	●
DVD	●	●	Included	●	●	●
Tub Tray	●	●	Included	●	●	●
Winter Cover	●	●	●	●	●	●
PVC Cabinet	●	●	●	●	-	●

Note: Items with "●" are optionals, need to order separate

# Wellness

## SPA DETAILS

### Jets used in Portable Spa

The size and the arrangement of jets influence remarkably the effectiveness of hydromassage. In Atecpool Royal Collection Portable Spas 4 types of jets have been used: big rotating jets, medium rotating jets, medium adjustable jets and mini back jets. The designed rotational jets, during the flow of water stream are circulating, in this way preventing the spot action of the water stream. This solution guarantees that the largest amount of nerve receptors are massaged. The regular massage improves the health condition of the inside organs and in case of back muscles, improves the physical condition as well as the appearance of the figure.



### Multiple Jets

1. Big rotating jets with the possibility of water massage regulation.
2. Medium rotating jets
3. Medium jets with the possibility of directing the water stream
4. Mini rotational jets

### Chromotherapy and Aromatherapy

#### Chromotherapy Underwater Light

The use of chromo therapy, that is the treatment with light and colors, has a very positive impact on the regeneration of the human organism. That is why our portable spas are equipped with the light with the changeable colors. The system is based on the electronic control of the colored lamp LED. This gives the possibility of individual adjustment of the colors, which influences directly the effectiveness of chromo therapy. Minimum dimensions of the manhole result from possibility of an easy entrance and removing the element to be repaired and should be 60x60cm.



#### White

harmonizes and restores the balance in the organism.

#### Blue

among others reinforces the immunity, soothes the throat, eyes, pains, and acts in a soporific and calming manner.

#### Green

among others calms, refreshes, improves the mood, supports the metabolism, regenerates the brain and the nerve system.

#### Yellow

is the antidote to stress and tiredness, reinforces the muscles, improves the texture of the skin.

#### Red

among others warms up, improves blood circulation, gives energy and stimulates to energetic activity.

#### Aromatherapy

Aromatherapy functions during the work of air massage. The air, before it is being blown into the spa, goes through the special chamber, in which the aromatherapy bags are placed. Afterwards it goes to the bath through the network of small holes and with the aired stream of water. It is very effective and at the same time high efficient aromatherapy system, used in portable spas. It guarantees the wonderful effects, and at the same time does not cause the turbidity of the water, prevents the oil suspensions in the water, which very often cause the dirtiness of both the acrylic surface as well as hydro massage elements

# Wellness

## SPA SELECTION AND ACCESSORIES

### Spa Accessories Design

Atecpool Royal Collection is the true expression of wellness, our professional spa offers premium cabinets of your choice. Selection of Spa Covers and Composite Panel for cabinet available with our Royal Collection.



### Portable Spa Colours



white



gypsum



azure



oyster



graphite

### Spa Cover Colours



be-16



sa - 2



n - 7



br - 2



cz

### Spa Composite Panel Colours



blanc creme  
ral 9001



gris basalte  
ral 7012



bleu violet  
ral 5000



brun chocolat  
ral 8017



noir profond  
ral 9005

# Wellness

## IN-GROUND SPAS

### Spa Sumatra

#### Specifications

- Size: Ø2180 X 880mm
- Capacity (seats): 8
- Power Supply:  
220 ~ 240V / 50 ~ 60Hz
- Water Jets + Air Jets = 9 + 12
- Volume: 176 gal
- Plumbed Shell with jets and MEP equipment.
- In-ground / above ground installation



### Spa Rose

#### Specifications

- Size Ø2400 X 1000mm
- Capacity (seats): 6
- Power Supply:  
220 ~ 240V / 50 ~ 60Hz
- Water Jets + Air Jets = 26 + 12
- Water capacity: 252 gal
- Plumbed Shell with jets and MEP equipment
- In-ground / above ground installation



# Wellness

## IN-GROUND SPAS

### Spa Jawa

#### Specifications

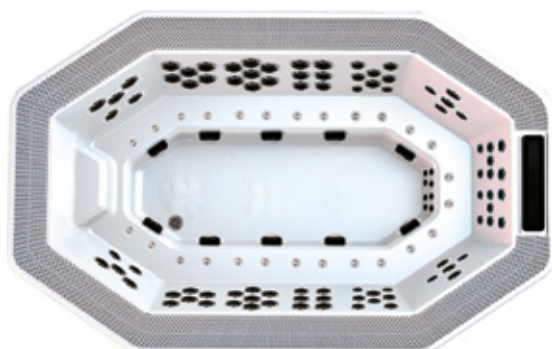
- Size: 2260X1910X980mm
- Capacity (seats): 7
- Power Supply:  
220 ~ 240V / 50 ~ 60Hz
- Water Jets + Air Jets = 7 + 12
- Water capacity: 176 gal
- Plumbed Shell with jets and  
MEP equipment.
- In-ground / above ground  
installation.



### Spa Mandura





#### Specifications

- Size Ø3800 X 2400 X 1000mm
- Capacity (seats): 14
- Power Supply:  
220 ~ 240V / 50 ~ 60Hz
- Water Jets + Air Jets = 88 + 28
- Water capacity: 486 gal
- Plumbed Shell with jets  
and MEP equipment



# Wellness

## IN-GROUND SPAS

In-Ground Spas - Comparison				
Code	SPA Sumatra	SPA Rose	SPA Jawa	SPA Mandura
				
General Information - Plumbed shell with MEP equipment				
Size (mm)	Ø2180×880	Ø2400×1000	2260×1910×980	3800×2400×1000
Water capacity (gal)	176	252	176	486
Colour	White	White	White	White
Capacity (persons)	8	6	7	14
Power supply	220~240V/50~60HZ	220~240V/50~60HZ	220~240V/50~60HZ	220~240V/50~60
Shell	Acrylic	Acrylic	Acrylic	Acrylic
Composition				
Bath Tub	1	1	1	1
Shelf	1	1	1	3
Air Jets	12	12	12	1
Massage Jets	9	-	7	-
Hydro Therapy Jets	-	26	-	1
SPA Lights	1	1	1	-
LED Optic Lights	-	14	-	12
Water Pipe	1	-	1	72
Drainage	1	1	1	2
Return	2	-	2	-
Transformer	1	-	1	-
Intake valves	-	2	-	19
Drainage Grille	-	1	-	2
Insulation	(Optional)	1	(Optional)	21
Hydro Massage Pump	-	2 x 2.0 HP	-	3 x 3.0 HP
Circulation Pump	-	1 x 1.0 HP	-	1 x 1.0 HP
Whirlpool Pump	2 x 1.5 HP	-	2 x 1.5 HP	-
Supply Pump	-	1 x 0.35 HP	-	1 x 0.35 HP
Air Blower	1 x 0.7 kW	1 x 0.7 kW	1 x 0.7 kW	2 x 0.7 kW
Ozonator	1	2	1	2
Heater	1 x 3.0 kW	1 x 3.0 kW	1 x 3.0 kW	1 x 3.0 kW
Cartridge Filter	1	1	1	1
Supply System	-	1	-	1
Water Tank	-	1	-	2
Controller	1	1 Balboa	1 Balboa (Optional)	1 (Balboa)
Optional				
15" Television	● (Pole)	-	-	-
Heavy Duty Spa Cover	-	●	●	●
i-pod	-	●	-	●
Subwoofer	-	-	-	●
Tub Tray	-	●	-	●
Winter Cover	●	●	-	●
PVC Skirt	-	●	●	●
PVC Step	-	●	●	●
Wooden Step	●	-	-	-
Wooden Skirt	●	-	-	-
Other Shell Colour	-	●	●	-
R-10 Insulation	-	●	-	-

Note: Items with "●" are optionals, need to order separate

# Wellness

## STAINLESS STEEL RELAXATION

### Air Bed Massage AISI 316

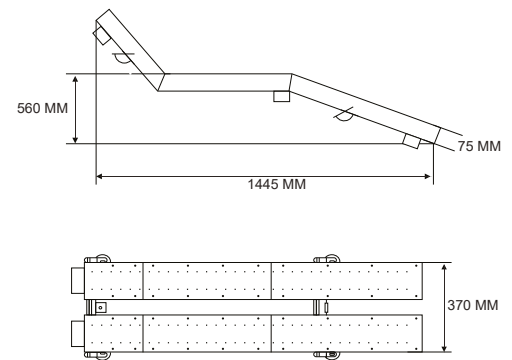
Made of Stainless Steel AISI 316. Ergonomically designed massage accessory with air jets in the back, lumbar and leg regions. The bed is comprised of stainless steel casing with air holes situated in the key massage areas. The range includes both a single and double model.



Code	Description	Weight
		Kg
015993	Air Bed Massage AISI 316	45

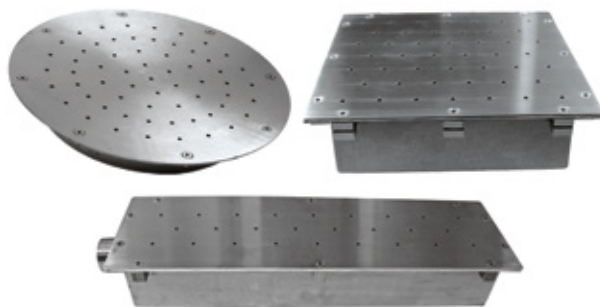
### Specifications

- 140 orifices: Ø2.5mm
- 2 intakes on the base
- PVC installation base support (not included)
- Female connections: 4x1.5"
- Airflow: 245 m<sup>3</sup>/h
- Recommended blower: AH420-321 2,2kW



### Foot Massage AISI 316

Made of Stainless Steel AISI 316. Available in three models: square, circular and rectangular air bubble systems. Custom size upon request.



Code	Description	Dimensions	Weight
		mm	Kg
015995	Circular Foot Massage AISI 316	Ø345x85	3.8
015996	Square Foot Massage AISI 316	300 X 300x85	5.5
015997	Square Foot Massage AISI 316	500 X 500x85	14.5
015998	Square Foot Massage AISI 316	750 X 750x85	28.5
015999	Rectangle Foot Massage AISI 316	520 X 170x85	3.8

### Recommended Air Blower Specifications:

015995/015996 - AH210-151, 1.1 kW

015997/015998/015999 - AH215-171, 1.3 kW

### Wall Massage Nozzles

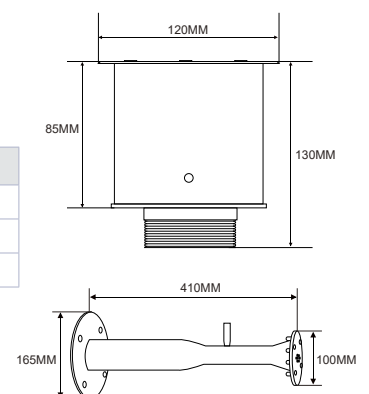
Made of AISI 316 with 2" threaded connection, 15 orifices of Ø3.5mm to provide quality massage. Provided with air venture for air-water mix massage. Available in two models: wall massage short nozzle and long type nozzle.



Code	Description	Weight
		Kg
012991	Wall Massage Nozzle Short AISI 316	1.15
012993	Wall Massage Nozzle Long AISI 316	2.7

### Recommended Air Blower Specifications:

012991/012993 - AH140-131, 0.75 kW



# Wellness

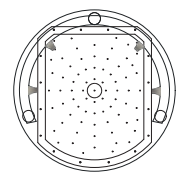
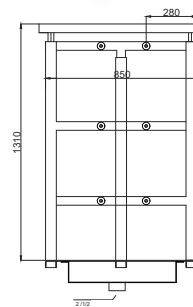
## STAINLESS STEEL RELAXATION

### Atecpool Reflex Station

Atecpool Reflex Station enhances the spa experience with advanced air and water jet features, delivering targeted massages to the back, neck, and body in a variety of configurations. Operating at a consistent temperature of 38°C, it ensures optimal comfort and relaxation.

Stainless steel precise engineering components are designed to work in harmony, contributing to a higher standard of wellness and comfort.

Each unit is custom-produced to meet specific project requirements, and all materials are constructed from AISI 316-grade stainless steel, ensuring durability, corrosion resistance, and long-term performance.



### Reflex Station Specifications

- ➔ 72 air nozzles at bottom plate connected to 2.2kw blower
- ➔ 5 massage nozzle for each ring at different levels, special arrangements possible with custom built
- ➔ Connection sizes: 2" / 2½"
- ➔ Pump selection for each ring with 5 massage nozzles: 5.5HP

### Atecpool Massage Station

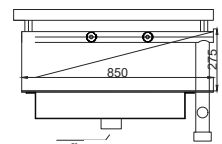
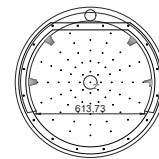
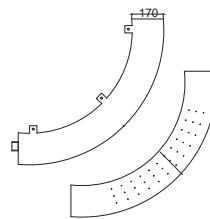
Atecpool Massage Station consists of seated massage system and foot massage system, designed to deliver a deeply revitalizing hydrotherapy experience.

Each system is custom-engineered to meet the specific dimensions and requirements of your pool as built-in feature, ensuring seamless integration and optimal performance.



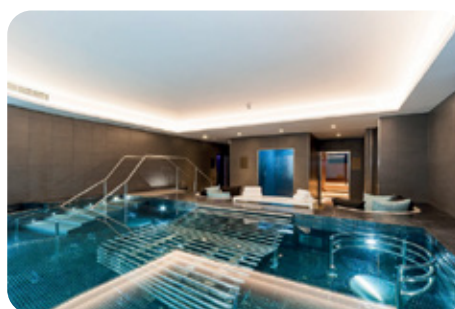
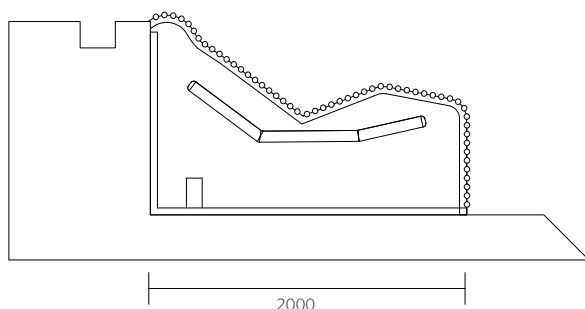
### Massage Station Specifications

- ➔ Half Massage Station + Foot Massage
- ➔ 72 air nozzles at bottom plate connected to 2.2kW blower
- ➔ 36 air nozzles at foot massage plate connected to 1.5kW blower
- ➔ Pump selection for each ring with 5 massage nozzles: 3HP
- ➔ Connection sizes: 2" / 2½"



### Atecpool Reflex Station Projects Gallery

Showcasing versatility and performance excellence of Atecpool Reflex Station across various wellness and spa environments.



# Gassner Mirror Pool

## ONE PIECE STAINLESS STEEL POOL

### Gassner Mirror Pool

The Mirror Pool invites you to immerse yourself in a mirror-like water surface that blurs the boundaries of the pool, thanks to its uninterrupted, linear perspectives, creating a sense of limitless expanse. An elegant stainless steel basin with an innovative edge and premium materials come together in a composition that reflects both sophistication and modern aesthetics.

- ➔ Timeless design, clean lines, and pure elegance
- ➔ Unique pool edging for a mirror-smooth water surface
- ➔ Seamless waterline for a visually limitless expanse
- ➔ Stainless steel as a durable and long-lasting material
- ➔ Superior hydraulics for optimal water quality
- ➔ Easy cleaning
- ➔ One-piece basin for efficient transport and installation
- ➔ Available in standard as well as custom sizes
- ➔ Additional accessories and custom features available for enhanced comfort.
- ➔ Various models and sizes available

### Gassner Mirror Pool Models

#### Mirror pool one

- One-piece pool | Size: 6 x 3 m
- Stairs with podium
  - 1x pool light (single color - white)

#### Mirror pool one plus

- One-piece pool | Size: 6 x 3 m
- Stairs with podium
  - 2x pool light (single color - white)
  - Foldable bench with covers for pool cover
  - preparation "ECOVA by BWT"

#### Mirror pool performance

- One-piece pool | Size: 7.5 x 3 m max. water depth 1.4m
- Cantilevered stairs with podium
  - 4 nozzles
  - 1 mirror skimmer
  - 1 floor drain
  - 2x pool light (LED RGB)
  - Foldable bench with covers for pool cover
  - preparation "ECOVA by BWT"
  - Countercurrent system "GASSNER EASY JET"

### Gassner Ice Mirror Pool Inclusion

Decades of experience in swimming pool and stainless steel pool construction go into the high-quality, customized pool solutions that unite aesthetics and design with first-class craftsmanship.

- ➔ Personalized, individual consultation
- ➔ Spacious showroom for an immersive pool experience
- ➔ State-of-the-art 3D planning
- ➔ Comprehensive project design & management
- ➔ Manufacturing using cutting-edge
- ➔ CNC technology
- ➔ Full-service provider, including water treatment systems
- ➔ Service and maintenance

Code	Description
MIRRORPOOL	Gassner Mirror Pool

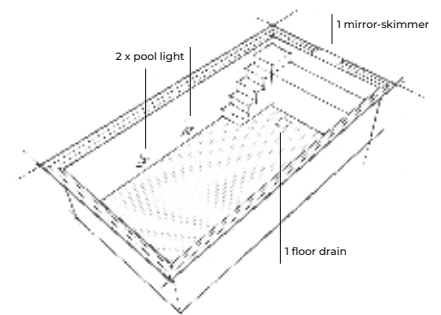
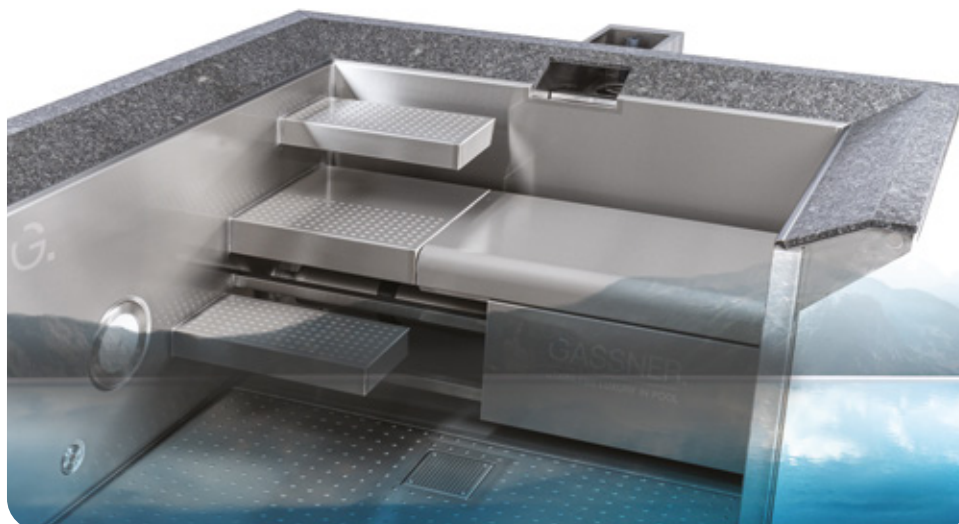
### Customisable Gassner Mirror Pool

The BWT GASSNER Mirror Pool customized fulfills every desire and can be tailored to your individual dimensions and features.

The following combinable features are available:

- Tube bench
- Cantilevered stairs
- Pool cover
- Stone edging
- Footprint massage
- Ergonomically designed air jet lounger
- Counter current flow system
- Air bubble bench
- Massage jets

### One-piece SS Mirror Pool



**GASSNER.**  
STAINLESS LUXURY IN POOL

# Atecpool Pool Bike and Treadmill

## AQUATIC FITNESS EQUIPMENT

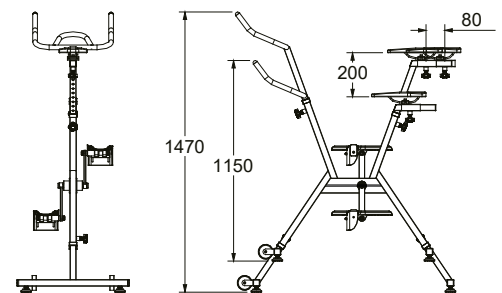
### Atecpool Pool Bike

Constructed from high-grade AISI 316 stainless steel, Atecpool Water Bike is designed for durability and performance in aquatic environments. Its adjustable pedal resistance allows users to tailor workouts to individual fitness or rehabilitation needs.

Widely trusted by professionals across various sectors—including fitness centers, rehabilitation clinics, wellness facilities, hotels, resorts, and elite sports clubs—the Water Bike is ideal for athletic training, post-injury recovery, and therapeutic programs under medical supervision.

### Specifications

- Constructed from stainless steel (AISI 316) for maximum durability in aquatic environments
- Brushed finish with advanced corrosion-resistant treatment for long-term performance
- Adjustable water resistance to accommodate various fitness levels and rehabilitation needs
- Flexible, ergonomic design offering anatomical comfort, ease of use, and low maintenance
- Equipped with stainless steel ball bearings and sealing rings for smooth operation
- Non-scratch, ergonomic handles for a secure and comfortable grip
- Fully adjustable handlebars and saddle—height and depth can be fine-tuned to suit individual users
- White non-scratch wheels with stainless steel ball bearings for easy transport and positioning
- White non-scratch stability pads for secure placement on pool surfaces
- Compatible with all pool finishes, including liner, PVC, tiles, casing, and polyester
- Suitable for use in thermal, seawater, and chlorinated pools



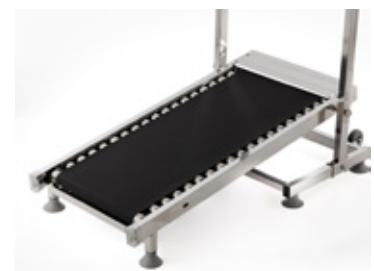
Code	Description	Weight
		kg
01263	Atecpool Pool Bike	13

### Atecpool Pool Treadmill

Atecpool Treadmill enables patients to perform walking or running exercises in a fixed position, allowing therapists to maintain full visual control over every underwater movement. This ensures more accurate assessment and real-time adjustment during therapy sessions.

### Specifications

- Constructed from stainless steel (AISI 316)
- Features a durable, one-piece PVC running belt designed for smooth, low-impact underwater motion
- Equipped with 6 secure suction cups at the base for maximum stability during use
- Foldable frame design for easy transport and space-saving storage
- Pipe thickness: 2 mm, ensuring structural strength and long-term performance
- Compact dimensions: 1150 × 1090 × 470 mm – ideal for various pool sizes and rehabilitation setups



Code	Description	Weight
		kg
01261	Atecpool Treadmill	50

INSPIRED  
ByWater

**ATECPPOOL**

 **BWT** GROUP

 [atecpool.com](https://atecpool.com)



INSPIRED  
ByWater

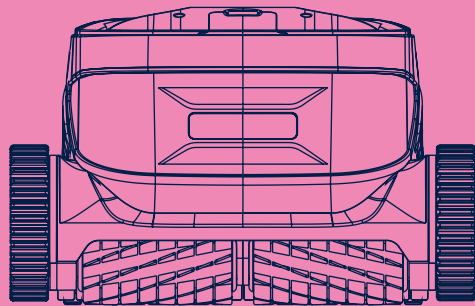
[atecpool.com](http://atecpool.com)



atecpool.com



# Cleaning Equipment



INSPIRED  
By Water

**ATECPOOL**

BWT GROUP



## **BWT** Pool Robots for commercial pools.



### **New definition of excellence for commercial pools.**

Engineered for the most demanding environments, the Nakai commercial robots combine power, precision, and intelligence.

Designed for public pools, hotels, aquatic centers, and Olympic facilities, they deliver flawless results, day after day. Each model features advanced navigation, filtration, and ergonomic systems,

offering a professional cleaning experience that's simple, smart, and efficient.

**Because a spotless pool reflects a standard of excellence.**

# Robotic Pool Cleaners

## COMMERCIAL LINE

BWT NAKAI 70 Commercial Robotic Pool Cleaner

### Nakai 70

THE FLAGSHIP OF THE RANGE.

#### Products

- ⊕ For very large pools up to 1,250 m<sup>2</sup>.
- ⊕ Double XL filter bag.
- ⊕ Gyro + AquaSmart + Infrared navigation.
- ⊕ Robust construction with trolley.
- ⊕ Maximum performance and autonomy.









<b>Pool size</b>	50 m / 1250 m <sup>2</sup>
<b>Cleaning type</b>	Floor
<b>Cleaning cycle duration</b>	3 hrs, 4 hrs or 6 hrs
<b>Filter type</b>	4D Hyperfine microfibre, 2 XL bags
<b>Filter access</b>	Easy access from below
<b>Full filter indicator</b>	Yes
<b>Brush type</b>	4 wide PVA brush wheels
<b>Control Box</b>	LDC
<b>Platform</b>	Dual drive   Dual pumps
<b>Suction power</b>	38 m <sup>3</sup> /h
<b>Cable length</b>	45 m
<b>Anti-tangle system</b>	Special embedded algorithm
<b>Remote control</b>	RF Remote control
<b>Dimensions (L x W x H)</b>	81 x 40 x 31 cm
<b>Weight</b>	18 kg
<b>Storage accessory</b>	Caddy
<b>Guarantee</b>	2 years



# Robotic Pool Cleaners

## POOL ROBOTS

	MODEL	POOL LENGTH (M)	CLEANING CYCLE	CLEANING TYPE	FILTER TYPE	BRUSH TYPE	CABLE LENGTH
<b>DIAMOND CELL</b> <span>NEW</span>							
	<b>BWT Diamond Cell</b>	12	1.5 hrs, 2.0 hrs or 2.5 hrs	Floor, walls and waterline	Double hyperfine filtration	PVC brushes	18 m
<b>BATBROWN</b> <span>NEW</span>							
	<b>BWT BATbrown</b>	15	3.0 hrs or 4.0 hrs 6 cycles	Floor, walls and waterline	Double filtration 180/80µm	PVC brushes	Battery
<b>FIR LINE</b>							
	<b>BWT F1Sonic Pro</b>	15	3.0 hrs or 4.0 hrs 6 cycles	Floor, walls and waterline	Double basket 180/80µm	PVC brushes	Battery
	<b>BWT FIR</b>	10	1.5 hrs, 2.0 hrs or 2.5 hrs	Floor, walls and waterline	Single filter high performance	PVC brushes	14 m Gen Core 7
	<b>BWT FIRX</b>	12	1.5 hrs, 2.0 hrs or 2.5 hrs	Floor, walls and waterline	Double hyperfine filtration	PVC brushes	18 m Gen Core 7
	<b>BWT FIRXT</b>	15	1.5 hrs, 2.0 hrs or 2.5 hrs	Floor, walls and waterline	4D, microfibre hyperfine	PVA brushes	23 m Gen Core 7



# Robotic Pool Cleaners

## POOL ROBOTS

SUCTION POWER	NAVIGATION AND DRIVE SYSTEM	WEIGHT (KG)	CADDY	SPECIAL FEATURES	GUARANTEE
15 m³/h	<ul style="list-style-type: none"> <li>Gyroscopic system</li> <li>Smart Navigation</li> </ul>	5,75 Kg	X	<ul style="list-style-type: none"> <li>Premium App with remote control                             <ul style="list-style-type: none"> <li>LED</li> </ul> </li> <li>Full filter indicator</li> </ul>	5 years
15 m³/h	<ul style="list-style-type: none"> <li>Gyroscopic system</li> <li>Ultrasonic sensors</li> </ul>	7,9 Kg	X	<ul style="list-style-type: none"> <li>Wifi &amp; Bluetooth                             <ul style="list-style-type: none"> <li>Application</li> </ul> </li> <li>Transparent filter</li> <li>6 cleaning modes</li> <li>Chargeur rapide</li> </ul>	2 years
15 m³/h	<ul style="list-style-type: none"> <li>Gyroscopic system</li> <li>Ultrasonic sensors</li> </ul>	7,9 Kg	X	<ul style="list-style-type: none"> <li>Wifi &amp; Bluetooth                             <ul style="list-style-type: none"> <li>Application</li> </ul> </li> <li>Transparent filter</li> <li>6 cleaning modes</li> <li>Quick charger</li> </ul>	2 years
15 m³/h	<ul style="list-style-type: none"> <li>Gyroscopic system</li> <li>Smart Navigation</li> </ul>	5,75 Kg	X	<ul style="list-style-type: none"> <li>App with remote control                             <ul style="list-style-type: none"> <li>LED</li> </ul> </li> <li>Full filter indicator</li> </ul>	3 years
15 m³/h	<ul style="list-style-type: none"> <li>Gyroscopic system</li> <li>Smart Navigation</li> </ul>	5,75 Kg	X	<ul style="list-style-type: none"> <li>Premium App with remote control                             <ul style="list-style-type: none"> <li>LED</li> </ul> </li> <li>Full filter indicator</li> </ul>	3.5 years
19 m³/h	<ul style="list-style-type: none"> <li>Gyroscopic system</li> <li>Smart Navigation</li> </ul>	11 Kg	✓	<ul style="list-style-type: none"> <li>App with remote control                             <ul style="list-style-type: none"> <li>LED</li> </ul> </li> <li>Full filter indicator</li> <li>Transparent filter</li> </ul>	4 years



# Robotic Pool Cleaners

## POOL ROBOTS

	MODEL	POOL LENGTH (M)	CLEANING CYCLE	CLEANING TYPE	FILTER TYPE	BRUSH TYPE	CABLE LENGTH
<b>ESSENTIAL LINE</b>							
	<b>BWT ES Echo</b>	12	2.5 hrs or 3.0 hrs 3 cycles	Floor, walls and waterline	Single filter 180µm	PVC brushes	Battery
	<b>BWT ES700</b>	10	2 hrs	Floor, walls and waterline	Single filter	PVC brushes	14 m Gen Core 7
	<b>BWT ES800</b>	12	1.5 hrs, 2.0 hrs or 2.5 hrs	Floor, walls and waterline	Single filter	PVC brushes	18 m Gen Core 7
<b>RC LINE</b>							
	<b>RC 30</b>	10	1.5 hrs, 2.0 hrs	Floor, walls and waterline	Standard Filtration	PVC brushes	16 m
	<b>RC 40</b>	10	1.5 hrs, 2.0 hrs or 2.5 hrs	Floor, walls and waterline	Standard Filtration	PVC brushes	16 m
	<b>RC 60</b>	18	1.5 hrs, 2.0 hrs or 2.5 hrs	Floor, walls and waterline	4D, microfibre hyperfine	4 PVA + vibrating brushes	18 m
<b>AQUABOT LINE</b>							
	<b>Aquabot</b>	350 m <sup>2</sup>	3.0 hrs	Wall & Waterline, Floor, Overall	180 µm (Standard)   100/75/50 µm (Optional)	PVC and PVA brushes	Battery
	<b>Aquabot Pro</b>	460 m <sup>2</sup>	3.5 hrs	Wall & Waterline, Floor, Overall	180 µm (Standard)   100/75/50 µm (Optional)	PVC and PVA brushes	Battery





# Robotic Pool Cleaners

## POOL ROBOTS

SUCTION POWER	NAVIGATION AND DRIVE SYSTEM	WEIGHT (KG)	CADDY	SPECIAL FEATURES	GUARANTEE
15 m³/h	<ul style="list-style-type: none"> <li>▪ Gyroscopic system</li> <li>▪ Ultrasonic sensors</li> </ul>	7,9 Kg	X	<ul style="list-style-type: none"> <li>▪ Wifi &amp; Bluetooth</li> <li>▪ Application</li> <li>▪ Transparent filter</li> <li>▪ 3 cleaning modes</li> </ul>	2 years
15 m³/h	<ul style="list-style-type: none"> <li>▪ Gyroscopic system</li> <li>▪ Smart Navigation</li> </ul>	5,75 Kg	X	<ul style="list-style-type: none"> <li>▪ -</li> </ul>	3 years
15 m³/h	<ul style="list-style-type: none"> <li>▪ Gyroscopic system</li> <li>▪ Smart Navigation</li> </ul>	5,75 Kg	X	<ul style="list-style-type: none"> <li>▪ App with remote control</li> <li>▪ Full filter indicator</li> </ul>	3 years
15 m³/h	<ul style="list-style-type: none"> <li>• Smart Navigation</li> <li>• Gyroscopic system</li> </ul>	5.75 kg	X	<ul style="list-style-type: none"> <li>▪ Full filter indicator</li> </ul>	2 Years
15 m³/h	<ul style="list-style-type: none"> <li>• Smart Navigation</li> <li>• Gyroscopic system</li> </ul>	5.75 kg	X	<ul style="list-style-type: none"> <li>▪ Full filter indicator</li> <li>▪ Battery Compatible</li> <li>▪ App with remote control</li> </ul>	2 Years + 1 Limited
19 m³/h	<ul style="list-style-type: none"> <li>• Smart Navigation</li> <li>• Gyroscopic system</li> </ul>	11 kg	✓	<ul style="list-style-type: none"> <li>▪ Full filter indicator</li> <li>▪ App with remote control</li> </ul>	3 Years + 1 Limited
15 m³/h	<ul style="list-style-type: none"> <li>• Ultrasonic radars 2.0</li> </ul>	10.3 kg	X	<ul style="list-style-type: none"> <li>▪ Wifi &amp; Bluetooth</li> <li>▪ App with remote control</li> </ul>	2 Years
17 m³/h	<ul style="list-style-type: none"> <li>• 360 Ultrasonic radar</li> </ul>	11.8 kg	X	<ul style="list-style-type: none"> <li>▪ One click Lift</li> <li>▪ Real time App control</li> </ul>	2 Years

# Cleaning Equipment

## VACUUM CLEANERS

	MODEL	POOL SIZE (M)	CLEANING DEPTH	AUTONOMY	FILTER TYPE	FILTER CAPACITY
<b>FIR LINE</b>						
	<b>FISPA KIT</b>	Spas and pools up to 3 m in diameter	2 m	30 min	250 micron stainless steel filter	0,3 L (0,08 gal)
	<b>FISPOT</b>	Small to medium	3 m	40 min	<ul style="list-style-type: none"> <li>Stainless steel filter</li> <li>70 micron fine bag</li> </ul>	0,8L (0,21 gal)
	<b>FIGIANT</b>	Medium to large	3 m (9.8ft)	75 min	<ul style="list-style-type: none"> <li>Pleated filters with Fine 50 micron</li> <li>Standard 250 micron Stainless steel filter</li> </ul>	3 L (0,79 gal)
	<b>FITURBO</b>	All types of pools	3 m (9.8ft)	75 min	<ul style="list-style-type: none"> <li>3 filter bags:                             <ul style="list-style-type: none"> <li>Standard 250 micron bag</li> <li>Fine 70 micron bag</li> <li>Extra fine 50 microns cartridge filter</li> </ul> </li> </ul>	6,5 L (1,72 gal)



# Cleaning Equipment

## VACUUM CLEANERS

VACUUM HEAD FEATURES	POWER RATING	WEIGHT (KG)	SPECIAL FEATURES	STORAGE BAG	GUARANTEE
Pivoting suction head and flat brush	75	1,2	<ul style="list-style-type: none"> <li>▪ Handle included 2x50 cm</li> <li>▪ 1 spa scoop</li> <li>▪ 1 hand scrubber</li> </ul>	X	2 years
Pivoting suction head	200	3	<ul style="list-style-type: none"> <li>▪ Easy opening system</li> </ul>	X	2 years
Pivoting suction head	500	5	<ul style="list-style-type: none"> <li>▪ Transparent suction head</li> <li>▪ Double filtration</li> <li>▪ Powerful suction</li> </ul>	✓	2 years
Extra-large 51cm suction opening	600	3,8	<ul style="list-style-type: none"> <li>▪ Efficient PWRBLADE drive system</li> <li>▪ ON/OFF Automatic with water sensor</li> <li>▪ Removable flexible extensions for tight spaces</li> <li>▪ Spring-loaded metal handle</li> <li>▪ Ball-bearing wheels</li> </ul>	✓	2 years





Diamond Cell

BWT

# The Diamond Cell Exclusivity

## Limited edition worldwide

**Each Diamond Cell is unique and individually numbered.**

Your certificate of authenticity attests to its membership in this exceptional series.

## An exceptional jewel

Like the diamond from which it takes its name, this revolutionary technology symbolizes absolute purity, unalterable strength, and timeless elegance.

The diamond, the world's purest stone, transforms ordinary carbon into crystalline wonder.

Our Diamond Cell - combined with the Best Water Treatment Technologies - similarly transform your pool water into an experience of incomparable clarity.

## A unique experience

Water treated by the Diamond Cell offers a sensation that words struggle to describe - a clarity so perfect it seems to disappear, leaving only that impression of absolute purity on your skin.



**ATECPOOL**

BWT GROUP

# Technological Excellence & Refined Design



The BWT Diamond Cell robot represents the culmination of our quest for excellence in pool water treatment. Its sleek design with fluid lines conceals cutting-edge technology developed by our most talented engineers.

**Each component has been selected with absolute standards:**

- ➔ High-resistance polymer chassis
- ➔ Premium PVC brushes
- ➔ High-torque motors
- ➔ Long life Diamond Cell with its genuine diamond coating

The exclusive deep black finish with modern design elements accent reflects the timeless elegance of this exceptional model, designed for the most prestigious environments.

## Diamond CELL Specifications

Code	84212100
Cleaning mode	Floor, wall & waterline, overall
Pool size	12 m
Suction power	15 m <sup>3</sup> /h
Cable length	18 m
Power supply	Jupiter (150 watts max)
Cycles	1h30   2h   2h30
Filtration	Double Ultrafine Filter
Full filter indicator	✓
Brush type	PVC
Diamond Cell	1500h+ working hours tested diamond coated ceramic cell
Weight	5,75 kg
Dimensions	38 x 37 x 20,3 cm



Serial number:  
**DC568**

Authenticated by:  
**BWT -**  
**Best Water Technology**

# Intelligent Autonomous Cleaning

**The BWT Diamond Cell robot** redefines autonomous cleaning standards. Thanks to **its advanced algorithms and latest-generation Gyroscope+ navigation system**, it analyzes your pool configuration and automatically determines the optimal path.

**Its exceptional suction power** of 15 m<sup>3</sup>/h combined with Diamond Cell Technology guarantees not only impeccable cleaning but also **constant improvement of water quality** during operation.



# 5 Steps to a Perfect Pool



## 1. Unpack

- ➔ Remove the robot and its accessories
- ➔ Check that everything is present:
  - » BWT Diamond Cell robot
  - » Floating cable
  - » Control unit
  - » User guide



## 4. Launch

- ➔ Immerse the robot in water
- ➔ Select the cycle via the app
- ➔ Press "Start"
- ➔ Let the robot work



## 2. Connect the App

- ➔ Download the BWT Diamond Cell App
- ➔ Enable Bluetooth and Wi-Fi
- ➔ Follow the on-screen pairing instructions



## 5. Maintain

- ➔ Clean the filter after each use
- ➔ Rinse the robot with clean water
- ➔ Store away from sun and frost



## 3. Prepare the Pool

- ➔ Check water level (mid-height of skimmers)
- ➔ Remove floating objects
- ➔ Place the control unit 3.5 meters from the edge
- ➔ Completely unroll the cable



BWT Diamond  
Cell App  
Connection



# Robotic Pool Cleaners

## BATBROWN POOL ROBOT

# BATbrown

LIMITED EDITION

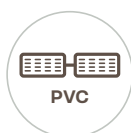
EXPERIENCE CORDLESS FREEDOM WITH OUR NEW GENERATION, QUICK-CHARGE, BATTERY OPERATED SWIMMING POOL CLEANER : THE BWT BATBROWN.



BWT Robotics



CLEANING CYCLE



BRUSH TYPE



APPLICATION



MODE ÉCO

Technical Specifications	
Cleaning options	Full mode: Floor, walls and waterline, ECO, Turbo
Battery capacity	9,600mAh Lithium-ion battery charges in 2.5 hours for up to 3.5 hours of cleaning
Dimensions (L x Width x H in cm)	43 x 40 x 23
Swimming pool length	Up to 15m, for all shapes and finishes
Motors	3 (2 traction motors + 1 pump)
Robot weight	17 lbs
Cleaning cycle times	6 cleaning cycles: 3hrs, Max mode 30 minutes (turbo), 1.5 hours (floor only), 2 hours or 2.5 hours (floor, walls, waterline)
Gyroscope	Included + Ultrasonic SmartSensor
Smartphone app functionalities	Cycle selection, start-time programming, status notification, IOT update
Beach entry detection system	Included

Code	Description
125663125	Robot électrique BWT BATbrown



CLEANING EQUIPMENT

# Robotic Pool Cleaners

## F1R LINE

ALL THE ROBOTS IN THE F1R RANGE ARE CONNECTED FOR MAXIMUM EASE OF USE

With the BWT Best Water Home app, which can be downloaded free of charge from the App Store or Play Store, control is at your fingertips!



BWT Best Water App



### Standard or Premium app

- All F1Rs will be connected to BWT Best Water Home as they are today.
- F1R will feature the standard functions: Remote control, delayed start, work intervals, cycle selection.
- F1 RX & RXT will have additional functions (Premium App): The functions will be unlocked with the cleaner's product code.
- Additional functions: 45 min floor turbo cleaning (speed +10%), Spot Cleaning: focus on 1 part of the basin, LED on/off + intensity.
- Update your cleaners with additional functions on the app.

### F1Sonic Pro

# F1R LINE

# ROBOTIC POOL CLEANERS

# HIGH-PRECISION

# CLEANING

# Robotic Pool Cleaners

F1R LINE

F1R Line - Robotic pool cleaners

## Packed with technology for optimal cleaning of your pool

WITH LOW ENERGY CONSUMPTION

F1R pool robots clean the bottom, sides and waterline of all types of pool. Thanks to their smart navigation system combined with their gyroscope, F1R robots are designed to clean your entire pool.

The brushes and filters of the F1R robots will leave your pool perfectly clean.



BWT Best Water App



Efficiency meets style and elegance !



### F1R | F1RX | F1RXT MODEL **Innovation**

Get ready to transform pool maintenance with BWT Robotics cleaner robots, equipped with the revolutionary **Smart Cable Control** innovation for optimal cleaning!

This advanced system is combined with the precision of our **Gen Core 7 navigation technology**. It optimises the robot's movements in your pool, ensuring perfect cleaning every time (cable without swivel).

The **Gen Core 7 navigation system** coordinates and processes the information supplied by all the sensors built into the robot, which collect data in real time.

# Robotic Pool Cleaners

F1R LINE

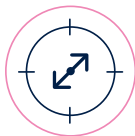
## The F1Sonic Pro is BWT's latest technological innovation

FOR CORDLESS POOL CLEANING

The latest technological innovations for perfect cleaning and unrivalled ease of use.



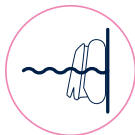
BWT  
Robotics



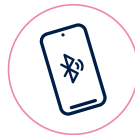
→ The **F1Sonic Pro** finds its way around your pool thanks to its ultrasonic sensors and gyroscope for optimised movement.



→ At the end of each cycle, the **F1Sonic Pro** can be parked next to a wall for easy retrieval using the hook supplied.



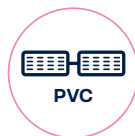
→ 3 cleaning modes are available: Bottom, walls and waterline.



→ The **F1Sonic Pro** can be programmed via the control panel on the robot or via its dedicated app. It is equipped with a Bluetooth module and a Wifi module, so not only can it be managed via its app, but its software can also be updated easily over Wifi.



→ The **F1Sonic Pro's** ECO mode lets you clean your pool in cycles spaced out over 1 week.



→ The **F1Sonic Pro** is equipped with active PVC brushes and powerful suction for intense cleaning of all types of pools.



→ Its high-capacity, double-filtered basket retains both large and very fine particles.



→ The **F1Sonic Pro's** battery charges ultra-fast, taking just 2:50/3:00 to fully recharge, giving you greater flexibility of use.



→ The **F1Sonic Pro's** long battery life gives you a choice of 6 cleaning cycles. Thanks to the LED indicator on the robot or via its dedicated app, you are always informed of its battery life in real time.



# Robotic Pool Cleaners

## F1R LINE

BWT F1SONIC PRO - Robotic pool cleaners

Family 3740

## BWT F1 Sonic Pro cordless robot



- Lightweight
- Long battery life: 3 to 4 hours
- 2:50/3:00 quick charge
- Wifi and Bluetooth with app
- Programming via the app or on the robot's control panel
- 3 cleaning modes: Bottom, Walls and Waterline
- Turbo mode
- Eco mode (programme of 3 cleaning cycles)
- 6 cycles from 30 minutes to 4 hours
- Double basket 180/80µm

**Introducing the next-generation cordless robot cleaner, designed for exceptional performance and ultimate convenience.**

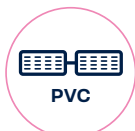
Equipped with advanced ultrasonic radar technology, it intelligently plans its route for efficient, thorough cleaning. Powered by three high-performance motors, this robot combines durability and lightness.

It offers a powerful flow rate of 15 m<sup>3</sup>/h, complemented by a 4-litre double-layer filtration system. Equipped with a quick-charge replaceable battery, it offers up to 3.5 hours of continuous operation on a single charge.

**This revolutionary cleaner marks a significant advance in intelligent pool maintenance.**



CLEANING CYCLE



BRUSH TYPE



DOUBLE BASKET 180/80 µm



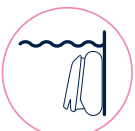
GUARANTEE 2 years



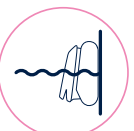
APPLICATION



CLEANING FLOOR



CLEANING WALLS



CLEANING WATERLINE

Code	Description	Quantity per pallet
125663050	Robotic pool cleaners BWT F1Sonic Pro	24

# Robotic Pool Cleaners

## F1R LINE

BWT F1R - Robotic pool cleaners

Family 3740

PRO EXCLUSIVE



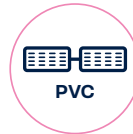
- Powerful | Lightweight
- Single filter high performance
- Premium app with remote control
- Gen 7 core navigation system
- LED
- Rapid water drainage



BWT Best Water App



CLEANING CYCLE



BRUSH TYPE



CABLE LENGTH



GUARANTEE

Code	Description	Quantity per pallet
125663060	Robotic pool cleaners BWT F1R	24

BWT F1RX - Robotic pool cleaners

Family 3740

PRO EXCLUSIVE



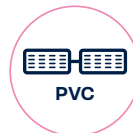
- Powerful | Lightweight
- Hyperfine double filtration
- Premium app with remote control
- Gen 7 core navigation system
- LED
- Rapid water drainage



BWT Best Water App



CLEANING CYCLE



BRUSH TYPE



CABLE LENGTH



GUARANTEE

Code	Description	Quantity per pallet
125663065	Robotic pool cleaners BWT F1RX	24

# Robotic Pool Cleaners

## F1R LINE

BWT F1RXT - Robotic pool cleaners

Family 3740

PRO EXCLUSIVE



BWT Best Water App



- Unrivalled suction power
- Ultra-fine 4D filtration retains the finest particles such as sand and pollen
- Premium app with remote control
- LED
- Full filter indicator
- PVA foam
- Transport trolley
- Gen 7 core navigation system



CLEANING CYCLE



BRUSH TYPE



CABLE LENGTH



CADDY



GUARANTEE

Code	Description	Quantity per pallet
125663098	Robotic pool cleaners BWT F1RXT	16

	BWT F1SONIC PRO	BWT F1R	BWT F1RX	BWT F1RXT
<b>Pool size</b>	15 m (any shape and surface finish)	10 m (any shape and surface finish)	12 m (any shape and surface finish)	15 m (any shape and surface finish)
<b>Duration of the cleaning cycle</b>	3.0 hrs or 4.0 hrs 6 cycles	1.5 hrs, 2.0 hrs or 2.5 hrs	1.5 hrs, 2.0 hrs or 2.5 hrs	1.5 hrs, 2.0 hrs or 2.5 hrs
<b>Remote control</b>	Wifi   Bluetooth Application	Application + Remote control	Premium Application + Remote control	Application + Remote control
<b>Cleaning Type</b>	Floor, walls and waterline	Floor, walls and waterline	Floor, walls and waterline	Floor, walls and waterline
<b>Filter type</b>	Double basket 180/80µm	Single filter high performance	Double hyperfine filtration	4D, hyperfine microfibre
<b>Brush type</b>	PVC brushes	PVC brushes	PVC brushes	PVA brushes
<b>Battery</b>	✓	✗	✗	✗
<b>Length of the cable</b>	✗	14m, floating cable Gen Core 7	18 m, floating cable Gen Core 7	23 m, floating cable Gen Core 7
<b>Dimensions (L x W x H)</b>	43 x 40 x 23 cm	51 x 45 x 33 cm	51 x 45 x 33 cm	39 x 43 x 23
<b>Weight</b>	7,9 kg	5,75 kg	5,75 kg	11 kg
<b>Consumption</b>	9600 mAh	150 Watt	150 Watt	150 Watt
<b>Warranty</b>	2 years	3 years	3.5 years	4 years

### CADDY

Code	Description	Quantity per pallet
125301812	Caddy	





# ESSENTIAL RANGE

## ROBOTIC POOL CLEANERS

# Robotic Pool Cleaners

## ESSENTIAL LINE

### Discover the ESSENTIAL range

SMART ROBOTS FOR A SWIMMING POOL THAT'S ALWAYS SPOTLESS.

Pool robots designed to simplify your maintenance and give you crystal-clear water all year round.

Thanks to their innovative patented technologies, they effectively clean the bottom, sides and waterline of all your pools, whatever their shape.

#### 2 BWT innovations:

- The ES 700 and ES 800 are equipped with the new GenCore 7 navigation technology, enabling smart control of the power cable and complete coverage of the pool. No more tangled cables!
- The ES ECHO cordless robot combines advanced performance with excellent value for money. It is equipped with Smart Park technology: at the end of the cycle, the robot parks near a wall for easy retrieval.



BWT Best Water App



ES Echo



ES700



ES800



### Innovation

Get ready to transform pool maintenance with BWT Robotics cleaner robots, equipped with the revolutionary **Smart Cable Control** innovation for optimal cleaning!

This advanced system is combined with the precision of our **Gen Core 7 navigation technology**. It optimises the robot's movements in your pool, ensuring perfect cleaning every time (cable without swivel).

The **Gen Core 7 navigation system** coordinates and processes the information supplied by all the sensors built into the robot, which collect data in real time.

# Robotic Pool Cleaners

## ESSENTIAL LINE

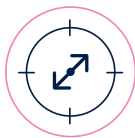
### The BWT ES ECHO is BWT's latest technological innovation

#### FOR CORDLESS POOL CLEANING

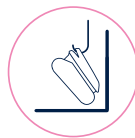
The BWT ES Echo benefits from the latest technological developments in cordless pool cleaning.



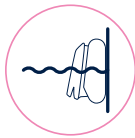
BWT  
Robotics



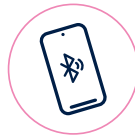
- The **BWT ES Echo** finds its way around your pool thanks to its ultrasonic sensors and gyroscope for optimised movement.



- At the end of each cycle, the **BWT ES Echo** can be parked next to a wall for easy retrieval using the hook supplied.



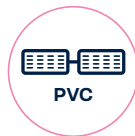
- 3 cleaning modes are available: Bottom only / Bottom, walls and waterline / Walls and waterline.



- The **BWT ES Echo** can be programmed via the control panel on the robot or via its dedicated app. It is equipped with a Bluetooth module and a Wifi module, so not only can it be managed via its app, but its software can also be updated easily over Wifi.



- The easy-to-clean, high-capacity filter basket retains large quantities of debris.



- The **BWT ES Echo** is equipped with active PVC brushes and powerful suction for intense cleaning of all types of pools.



- The **BWT ES Echo's** long battery life gives you a choice of 3 cleaning cycles. Thanks to the LED indicator on the robot or via its dedicated app, you are always informed of its battery life in real time.



# Robotic Pool Cleaners

## ESSENTIAL LINE

BWT ES ECHO - Robotic Pool Cleaners

Family 3730

### Cable-free robots

ESSENTIAL RANGE



- Light
- 2h30 to 3h00 autonomy
- Cable-free robot
- Wifi and Bluetooth with App
- Programming on the App or on the robot's control panel
- 3 cleaning modes: Bottom only, Bottom, sides and water line or sides only
- 3 cycles from 30 minutes to 3 hours
- Intuitive



**Introducing a cordless pool cleaner that combines advanced performance with excellent value for money.**

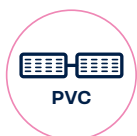
Equipped with ultrasonic radar technology, it intelligently plans its route for efficient, thorough cleaning. Powered by three reliable motors, this model is durable and lightweight.

It has a 4-litre filtration system with a 180 micron filter, guaranteeing effective removal of debris. The replaceable battery provides up to 2.5 hours of operation on a single charge.

**This cleaner provides intelligent pool maintenance at an exceptional price, offering a high-performance solution without breaking the bank.**



CLEANING CYCLE



BRUSH TYPE



DOUBLE BASKET 180\*M



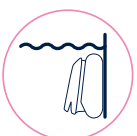
GUARANTEE



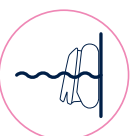
APPLICATION



CLEANING FLOOR



CLEANING WALLS



CLEANING WATERLINE

Code	Description	Quantity per pallet
125663055	Robotic pool cleaners BWT ES Echo	24

# Robotic Pool Cleaners

## ESSENTIAL LINE

BWT ES700 Robotic Pool Cleaners

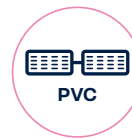
Family 3730



- Cleans bottom, walls and water line
- Lightweight (less than 6 kilos)
- Powerful
- Intelligent Gen 7 Core



CLEANING CYCLE



BRUSH TYPE



CABLE LENGTH



GUARANTEE

Code	Description	Quantity per pallet
125663108	Robotic pool cleaners bwt es700	24

BWT ES800 Robotic Pool Cleaners

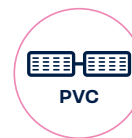
Family 3730



- Cleans bottom, walls and water line
- Lightweight (less than 6 kilos)
- Powerful
- Remote control application
- Intelligent Gen 7 Core



CLEANING CYCLE



BRUSH TYPE



CABLE LENGTH



GUARANTEE

Code	Description	Quantity per pallet
125663103	Robotic pool cleaners bwt es800	24



BWT Best Water App



# Robotic Pool Cleaners

## ESSENTIAL LINE

ESSENTIAL RANGE - Robotic Pool Cleaners

Family 3730

	ES ECHO	ES700	ES800
<b>Pool size</b>	12 m ( all shapes and finishes )	10 m ( all shapes and finishes )	12 m ( all shapes and finishes )
<b>Cleaning Type</b>	Floor, walls and waterline	Floor, walls and waterline	Floor, walls and waterline
<b>Duration of the cleaning cycle</b>	2.5 hrs, 3.0 hrs - 3 cycles	2.0 hrs	1.5 hrs, 2.0 hrs or 2.5 hrs
<b>Remote control</b>	Application smartphone	X	Application smartphone
<b>Filter type</b>	Double basket 180/80*m	Single filter	Single filter
<b>Brush type</b>	PVC brushes	PVC brushes	PVC brushes
<b>Gyroscope</b>	✓	✓	✓
<b>Battery</b>	✓	X	X
<b>Length of the cable</b>	X	14 m, floating cable	18 m, floating cable
<b>Dimensions (L x W x H)</b>	43 x 40 x 23 cm	39,5 x 36,5 x 20 cm	39,5 x 36,5 x 20 cm
<b>Weight</b>	7,9 kg	5,7 kg	5,7 kg
<b>Warranty</b>	2 years	3 years	3 years

## 10,000-Hour „Spark-Free“ Motor

- ✓ **Spark-Free:** Eliminates ignition risks for maximum safety.
- ✓ **3-5 Year Life:** Outlasts traditional brushed motors by 2-3x.
- ✓ **High Suction:** 100W power deep debris removal.



# Robotic Pool Cleaners

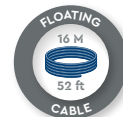
## RC LINE

BWT RC30 Robotic Pool Cleaner

Family 3750



- Cleans floor, wall and waterline
- Lightweight (less than 6 kg)
- Smart Navigation
- Fine filtration
- Full filter indicator



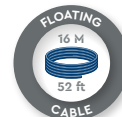
Code	Description	Quantity per pallet
125626742	BWT RC30 robotic pool cleaner	24

BWT RC40 Robotic Pool Cleaner

Family 3750



- Cleans floor, wall and waterline
- Lightweight (less than 6 kg)
- Smart Navigation
- Fine filtration
- Full filter indicator
- BWT mobile APP
- Compatible with floating battery



BWT Best Water App



Code	Description	Quantity per pallet
125626741	BWT RC40 robotic pool cleaner	24

# Robotic Pool Cleaners

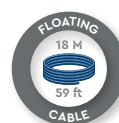
## RC LINE

BWT RC60 - Robotic Pool Cleaner

Family 3750



- Cleans floor, wall and waterline
- Smart Navigation
- Hyperfine filtration
- Full filter indicator
- Anti-tangle swivel
- BWT mobile APP
- LED blue
- Caddy



BWT Best Water App



Code	Description	Quantity per pallet
125626740	BWT RC60 robotic pool cleaner	16

	RC 30	RC 40	RC 60
Pool size	10 m	10 m	18 m
Cable length	16 m	16 m	18 m
Cleaning options	Floor, Wall & Waterline	Floor, Wall & Waterline	Floor, Wall & Waterline
Cleaning cycles	1.5 hrs, 2.0 hrs	1.5 hrs, 2.0 hrs or 2.5 hrs	1.5 hrs, 2.0 hrs or 2.5 hrs
Brushes	PVC	PVC	4 PVA + vibrating brushes
Filtration	Fine filtration	Fine filtration	Ultrafine 4D microfiber
Gyroscope	✓	✓	✓
Full filter indicator	✓	✓	✓
APP	✗	✓ Remote control Cycles selection Delayed departure Scheduler Status notification	✓ Remote control Cycles selection Delayed departure Scheduler Status notification Spot cleaning Turbo mode LED management
Swivel	✗	✗	✓
Weight	5.75 kg	5.75 kg	11 kg
Battery Compatible	✗	✓	✗
Warranty	2 Years	2 Years + 1 Limited	3 Years + 1 Limited

aquabot

BY BWT



## New Ultrasonic Mapping for Pool Cleaner

AQUABOT LINE

# Robotic Pool Cleaners

## AQUABOT & AQUABOT PRO

### Aquabot - Robotic Pool Cleaner

Family 3760



- Ultrasonic Radar 2.0
- Turbo mode cleaning
- Super suction power
- Extra-wide dynamic brushes 10% wider than the previous generation
- Self-parking function when cleaning is finished or when the battery level drops below 10%



INTUITIVE APP CONTROL



AUTO PARKING



POOL SIZE 12X6M (40\*20FT)



RUNTIME UP TO 180 MIN



CHARGING TIME 3-4 HOURS

### Aquabot PRO - Robotic Pool Cleaner

Family 3760



- 360° Ultrasonic Radar System
- Turbo Mode Cleaning
- Manual Control
- One-Click Recovery
- Powerful 3-Axis Motors 4,700 GPH (17.8 m<sup>3</sup>/h) Suction Power



INTUITIVE APP CONTROL



AUTO PARKING & ONE CLICK LIFT



POOL SIZE 12X6M (40\*20FT)



REMOTE AND REAL-TIME APP CONTROL



RUNTIME UP TO 210 MIN



CHARGING TIME 4-5 HOURS

Models	Aquabot	Aquabot Pro
Cleaning Modes	Wall & Waterline, Floor, Overall	Wall & Waterline, Floor, Overall
Working Time	Up to 3 Hours	Up to 3.5 Hours
Battery Capacity	9,300 mAh	10,000 mAh
Charging Time	3~4 Hours	4~5 Hours
Suction Rate	4,000 GPH (15.1 m <sup>3</sup> /h)	4,700 GPH (17.8 m <sup>3</sup> /h)
Filter box	180 µm (Standard)   100/75/50 µm (Optional)	
Debris Filters Capacity	6.5 L (two Cartridges)	6.5 L (two Cartridges)
Connection	Wi-Fi/Bluetooth	Wi-Fi/Bluetooth
App & OTA Updates	✓	✓
Charger Input	AC 100~240 V 50/60 Hz 1.5 A	AC 100~240 V 50/60 Hz 1.5 A
Code	125681726	125681723



# F1R LINE RECHARGEABLE VACUUM CLEANERS

# Vacuum Cleaners

## F1R LINE RECHARGEABLE VACUUM CLEANERS

### A comprehensive range of rechargeable vacuum cleaners

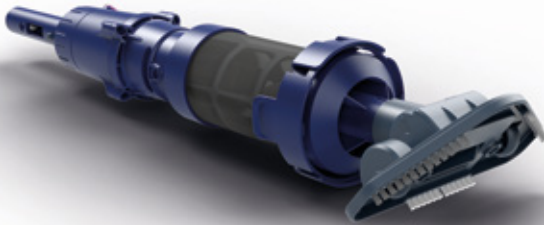
FOR EFFECTIVE CLEANING OF SPAS AND POOLS.

The F1R range of battery-powered vacuum cleaners has been designed to provide high-performance, easy-to-use and hard-wearing cleaning solutions.



GUARANTEE

BWT F1Spa Kit



BWT F1Giant



BWT F1Spot



BWT F1Turbo



# Vacuum Cleaners

## F1R LINE RECHARGEABLE VACUUM CLEANERS

BWT F1SPA KIT - Rechargeable Vacuum Cleaners

Family 3790

PRO EXCLUSIVE



- LED charge indicator
- Lightweight and easy to use
- USB charging
- 2 x 50 cm poles, spa scoop and hand scrubber included
- Stainless steel filter
- 2 interchangeable suction heads: swivel head + spa brush
- Ideal for spas and small pools
- Up to 3 m (10')



CLEANING CYCLE



POWER RATING



FILTER CAPACITY



SMALL POOLS & SPAS



GUARANTEE

Code	Description	Quantity per pallet
125664345	Rechargeable vacuum cleaners BWT F1Spa Kit	160

BWT F1SPOT - Rechargeable Vacuum Cleaners

Family 3790

PRO EXCLUSIVE



- High-capacity stainless steel filter
- Fine filter bag included
- Connects to a standard telescopic handle (not included)
- Ideal for small to medium-sized pools
- Tapered suction head
- Ergonomic opening



CLEANING CYCLE



POWER RATING



FILTER CAPACITY



SMALL TO MEDIUM POOLS



GUARANTEE

Code	Description	Quantity per pallet
125665061	Rechargeable vacuum cleaners BWT F1Spot	56

# Vacuum Cleaners

## F1R LINE RECHARGEABLE VACUUM CLEANERS

BWT F1GIANT - Rechargeable vacuum cleaners

Family 3790

PRO EXCLUSIVE



- Powerful 12 V motor
- Patented dual filtration system: Standard filtration (250 microns) + Extra-fine cartridge filtration (50 microns)
- Simple one-latch opening system
- 4 LED charge indicator
- Connects to a standard telescopic pole (not included)
- Ideal for medium to large pools



CLEANING CYCLE



POWER RATING



FILTER CAPACITY



MEDIUM & LARGE POOLS



GUARANTEE

Code	Description	Quantity per pallet
125664346	Rechargeable vacuum cleaners BWT F1Giant	80

BWT F1TURBO - Rechargeable vacuum cleaners

Family 3790

PRO EXCLUSIVE



- Powerful 12 V motor with PWRBLADE driving system
- Flexible, extensions for continuous contact with the pool surface, which can be removed to clean narrow areas
- Spring-loaded metal swivel handle
- Lower brushes to loosen and pick up debris
- Click N' Lock filter bag attachment system
- Includes a standard filter bag, a fine filter bag and extra-fine cartridge filter bag
- 4 LED charge indicator
- Connects to a standard telescopic pole (not included)
- Ideal for all types of pools



CLEANING CYCLE



POWER RATING



FILTER CAPACITY



ALL TYPES OF POOLS



GUARANTEE

	Code	Description	Quantity per pallet
1	125664347	Rechargeable vacuum cleaners BWT F1Turbo	80
2	125664350	50 micron ultra-fine cartridge filter	





# FTR LINE MAINTENANCE ACCESSORIES

# Maintenance Accessories

F1R LINE

## Pool maintenance has never been easier

THANKS TO OUR QUALITY ACCESSORIES!

The F1R range of accessories meets all your pool maintenance needs.

### A comprehensive range

The F1R range of maintenance accessories has been designed to be easy to use and long-lasting.

Particular attention has been paid to the design and ergonomics of the accessories in the F1R range.



# Maintenance Accessories

## F1R LINE

### F1R Wall brush

Family 3000

PRO EXCLUSIVE



- The aluminium handle and stand provide extra strength and durability.
- The position of the bristles means the pool can be thoroughly cleaned.
- Long-reach side brushes for cleaning corners, steps, ladders, beaches and other surfaces.
- Compatible with standard telescopic handles.

Code	Description	Quantity per pallet
125664355	Wall Brush f1r	6

### F1R Leaf rake

Family 3000

PRO EXCLUSIVE



- Durable aluminium handle and sturdy frame with high-strength gauge.
- Reinforced nylon net with extra traction panel offers extra protection and prevents easy breakage.
- Net and rim strip are replaceable.
- Extra wide debris collection area 50 cm.
- Double clip for easy attachment to and detachment from the handle.

Code	Description	Quantity per pallet
125664348	Leaf Rake F1R	12

### F1R Leaf Skimmer

Family 3000

PRO EXCLUSIVE



- Durable aluminium handle and sturdy frame with high-strength gauge.
- Replaceable, heavy-duty nylon mesh.
- Large debris collection area.
- Double clip for easy attachment and detachment to handle.

Code	Description	Quantity per pallet
125664349	Leaf Skimmer F1R	12

### F1R IG Vacuum Head

Family 3000

PRO EXCLUSIVE



- The weighted body maintains contact with the surface
- The swivel head prevents hoses from kinking
- Sturdy metal handle
- Brushes at the bottom for effective cleaning.
- Suitable for 32 and 38 mm diameter vacuum cleaner hoses
- Clips for easy attachment to a telescopic handle

Code	Description	Quantity per pallet
125664354	IG Vacuum Head F1R	6

# Maintenance Accessories

## F1R LINE

### F1R Digital Thermometer with Magnifying glass

Family 3000

PRO EXCLUSIVE

- Solar-powered and fully submersible
- Dial with magnifying glass for improved legibility
- Automatic switch-off after 150 seconds
- Temperature in Celsius and Fahrenheit



Code	Description	Quantity per pallet
125664344	Thermometer F1R	12

### F1R Chemical dispenser

Family 3000

PRO EXCLUSIVE

- 3-in-1 chemical dispenser with thermometer and refill indicator.
- The refill indicator rises when the dispenser is full and goes down when it is empty.
- Adjustable dosage
- Designed for 75 mm rollers
- Capacity: 5 rollers
- Temperature in Celsius and Fahrenheit



Code	Description	Quantity per pallet
125664343	F1R chlorine dispenser with refill indicator	6

### F1R Telescopic pole

Family 3000

PRO EXCLUSIVE

- Heavy-gauge aluminium tube, smooth tube finish
- The honeycomb pattern on the locks provides a better grip for locking and unlocking the stick.
- Ergonomic handle with rim for a comfortable grip
- Suitable for accessories with single or double V-clips



Code	Description	Quantity per pallet
125664351	Telescopic pole F1R 2x180 cm	12
125664352	Telescopic pole F1R 2x240 cm	
125664353	Telescopic pole F1R 3x150 cm	



**ESSENTIAL LINE**  
**MAINTENANCE ACCESSORIES**

# Maintenance Accessories

## ESSENTIAL LINE

### Accessories designed to keep your pool clean,

EFFORTLESSLY AND SIMPLY!



#### Essential Vacuum-Head

Family 3000

- Weighted body maintains surface contact.
- Swivelling hose cuff avoids kinked hoses.
- Fits 32 & 38mm (1 ¼" & 1 ½") diameter vacuum hoses.
- Underside bristles for efficient cleaning.
- EZ clip facilitates attachment to telescopic pole.

Code	Description	Quantity per pallet
125664338	ESSENTIAL triangular brush head	6
125664339	ESSENTIAL brush head	



#### Essential Brush

Family 3000

- 45 cm wide with rounded edges for easy cleaning and to protect the pool surface.
- Heavy-duty handle with EZ clip system for easy attachment of the telescopic handle.

Code	Description	Quantity per pallet
125664341	ESSENTIAL Polybrush wall brush with aluminium handle	8
125664342	ESSENTIAL 45 cm wall brush	



#### Essential Leaf-skimmer

Family 3000

- Honey-comb shaped reinforcements for increased durability.
- Large skimming area.
- Heavy-duty nylon net.
- Double-pin facilitates attachment to telescopic pole.

Code	Description	Quantity per pallet
125664324	ESSENTIAL Leaf-Skimmer	12
125665060	ESSENTIAL Leaf-Skimmer in aluminium with nylon mesh	



# Maintenance Accessories

## ESSENTIAL LINE

### Essential Leaf-rake

Family 3000



- 1**
  - Lightweight aluminium frame and handle
  - Double clip for easy attachment to standard telescopic handles
  - Heavy-duty nylon mesh
- 2**
  - Honeycomb reinforcements for extra durability.
  - Sloping edge makes it easy to pick up debris from the bottom of the pool.
  - Sturdy nylon mesh.
  - Double clip system for easy attachment of telescopic handle.

	Code	Description	Quantity per pallet
1	125664323	ESSENTIAL Plastic Leaf Rake	12
2	125665059	ESSENTIAL Leaf Rake in aluminium with nylon mesh	

### Essential Floating-dispenser

Family 3000



- Unique design holds 5 x 76mm tablets.
- Dosage can be easily adjusted.
- Includes clamps for safe tablet handling.

	Code	Description	Quantity per pallet
	125664318	ESSENTIAL Floating Dispenser	12

### Essential Telescopic-pole

Family 3000



- Telescopic handle in 2 or 3 x 120 cm and 2 x 240 cm lengths.
- Maximum ergonomics with a perfect grip and easy, strong locking.
- Smooth 1.1 mm thick aluminium tube.

	Code	Description	Quantity per pallet
	125664335	ESSENTIAL Pole 2x120cm, Smooth, Silv	12
	125664336	ESSENTIAL Pole 3x120cm, Smooth, Silv	
	125664337	ESSENTIAL Pole 2x240cm, Smooth, Silv	

# Maintenance Accessories

## ESSENTIAL LINE

### Essential Thermometer

Family 3000

- Scale in Celsius & Fahrenheit.
- Securing cord with detachable hook for easy hanging on the railing or pool stairs.



Code	Description	Quantity per pallet
125596096	ESSENTIAL Thermometer	24

### Essential Thermometer

Family 3000

- Large floating thermometer for reading temperature without taking it out of the pool.
- Securing cord with hook for easy hanging on the railing or pool stairs.
- 0°C - 50°C temperature range. Floats on pool water surface



Code	Description	Quantity per pallet
125596098	ESSENTIAL Large Floating Thermometer	6

### Essential Pool-kit

Family 3000

Complete kit for total pool maintenance.

Includes 5 pieces:

- ESSENTIAL Plastic Leaf Rake,
- ESSENTIAL 45 cm Wall Brush,
- ESSENTIAL Brush head
- ESSENTIAL Thermometer
- 3-way test strips.



Code	Description	Quantity per pallet
125605462	ESSENTIAL Pool Kit	4



# Maintenance Accessories

## CLEANSTAR SERIES



### Cleanstar Heavy-Duty Aluminium Vacuum Heads

- Made of anodized aluminium
- Ideal for in-ground pools, the unique 3- section articulated body enables vacuuming into the base of pool walls
- Extra heavy weight for easy gliding. Heavy-duty metal handle with pivot maintains good surface contact
- Non-slip wheels with stainless steel hardware
- Full-length underside brushes help dislodge debris
- EZ-clip handle facilitates connection to standard telepole. Fits 38mm / 1 1/2" and 50mm / 2" vacuum hoses
- New reinforced nylon structure



CS393CBX



CS3934

### Cleanstar Aluminium Articulated Vacuum Head

Code	Description	Weight	Volume
		(kg)	(m <sup>3</sup> )
CS393CBX	35cm / 14" CS Articulated Aluminium Vacuum Head	2.4	0.008
CS394CBX	45cm / 18" CS Articulated Aluminium Vacuum Head	2.8	0.008

### Cleanstar Anodized Aluminium Vacuum Head

Code	Description	Weight	Volume
		(kg)	(m <sup>3</sup> )
CS3934	35cm / 14" CS Aluminium Vacuum Head	2	0.008
CS3938	45cm / 18" CS Aluminium Vacuum Head	2.2	0.008

### Cleanstar Flexible Vacuum Heads

Extra wide flexible body with ball-bearing wheels for smooth and easy gliding. Extra strong spring-loaded metal handle. Fits 38mm / 1 1/2" vacuum hoses.



CS763



CS902



CS894

### Cleanstar Premium Extra Weight Vacuum Head

Flexible articulated pool cleaner with 35 cm head, extra weight for better performance.

Code	Description	Weight	Volume
		(kg)	(m <sup>3</sup> )
CS763	35cm / 14" CS Premium Extra Weight Vacuum Head	2.2	0.008

### Cleanstar Flexible Vacuum Head 35 cm / 14"

Code	Description	Weight	Volume
		(kg)	(m <sup>3</sup> )
CS902	35cm / 14" CS Flexible Vacuum Head	1.2	0.008

### Cleanstar Flexible Vacuum Head 48 cm / 19"

Code	Description	Weight	Volume
		(kg)	(m <sup>3</sup> )
CS894	48cm / 19" CS Flexible Vacuum Head	1.6	0.008

### Vacuum Heads



00510927

#### Triangular Vacuum Head

Transparent triangular shaped vacuum head, with brushes and clip type. Handle with swivel system. 1 1/2" hose connection and outer 2".

Code	Description	Weight	Volume
		(kg)	(m³)
00510927	Triangular Vacuum Head	1	0.008



005109125

#### Flexible Vacuum Head Deluxe 35 cm / 14"

Flexible vacuum head with side brushes made in blue and white polyethylene. 35 cm head with 8 wheels and side brushes. Handle with swivel system. 1 1/2" hose connection and outer 2".

Code	Description	Weight	Volume
		(kg)	(m³)
005109125	Flexo Vacuum head with side brush	1.1	0.008
005109135	Flexible Vacuum head	1.1	0.008

005109135



00500011

#### Aluminium Vacuum Head

Vacuum head with wheels, anodised aluminium, clip type. 1 1/2" hose connection and outer 2".

Code	Description	Weight	Volume
		(kg)	(m³)
00500010	35cm / 14" Aluminium Vacuum Head	2	0.008
00500011	45cm / 18" Aluminium Vacuum Head	2.2	0.008

### Telescopic Poles



CS451

#### Cleanstar Telescopic Pole Corrugated

Extra heavy duty tubes with 1.4 mm wall thickness. Anodized aluminium in golden color. Ergonomically shaped lock and grip in dual material. Inner core made of hard and durable ABS. Soft comfortable grip.

Code	Description	Weight	Volume
		(kg)	(m³)
CS451	Telescopic Pole 1.8 - 3.2 mtr GOLDEN	1.3	0.005
CS401	Telescopic Pole 2.4 - 4.8 mtr GOLDEN	1.8	0.005



00105001

#### Telescopic Pole Blue Professional

Telescopic pole in aluminium up to 4.8 m. Corrugated professional model for large pools, extra strong with 1.4 mm thickness.

Code	Description	Weight	Volume
		(kg)	(m³)
00105001	Telescopic Pole 1.2 - 2.4 mtr BLUE Professional	1.2	0.005
00105001-1	Telescopic Pole 2.4 - 4.8 mtr BLUE Professional	1.8	0.005
00105001-2	Telescopic Pole 3.6 - 7.2 mtr BLUE Professional	3.2	0.005

### Wall Brush



#### Cleanstar Wall Brush Curved Metal Back

With long-lasting nylon bristles. Gold anodized aluminum handles.

Code	Description	Weight	Volume
		(kg)	(m <sup>3</sup> )
<b>CS494</b>	45cm / 18" CS Metal Back Wall Brushes	0.6	0.008
<b>CS495</b>	60cm / 24" CS Metal Back Wall Brushes	1	0.008
<b>CS496</b>	90cm / 36" CS Metal Back Wall Brushes	1.2	0.008



#### Wall Brush Curved

Curved brush 45 cm Clip type. Nylon bristles

Code	Description	Weight	Volume
		(kg)	(m <sup>3</sup> )
<b>00510930</b>	45 cm Wall Brush Curved	0.3	0.008



#### Wall Brush Straight

Straight brush 26 cm Clip type. Nylon bristles.

Code	Description	Weight	Volume
		(kg)	(m <sup>3</sup> )
<b>00510932</b>	26cm Wall Brush Straight	0.2	0.008



#### Algae Brush S.S. Bristles

Algae model brush 26 cm. Stainless Steel bristles. Clip type.

Code	Description	Weight	Volume
		(kg)	(m <sup>3</sup> )
<b>00510933</b>	26cm Algae Brush SS Bristles	0.2	0.008

### Leaf Rake



#### Cleanstar Deep Leaf Rake Aluminium

Heavy gauge aluminium frame and handle. Heavy-duty nylon net.

Code	Description	Weight	Volume
		(kg)	(m <sup>3</sup> )
<b>CS160</b>	CS Deep Leaf Rake	0.4	0.008



#### Cleanstar Surface Leaf Skimmer Aluminium

Heavy gauge aluminium frame and handle. Heavy-duty nylon net.

Code	Description	Weight	Volume
		(kg)	(m <sup>3</sup> )
<b>CS161</b>	CS Surface Leaf Skimmer	0.3	0.008

### Leaf Net



00510934

#### Surface Leaf Net

Leaf Net Surface model. Manufactured in blue Polypropylene. The polyester net is welded to the leaf net frame.

Code	Description	Weight	Volume
		(kg)	(m <sup>3</sup> )
<b>00510934</b>	Surface Leaf Net	0.22	0.008



00510935

#### Deep Leaf Net Deluxe

Leaf Net Deep model. Manufactured in blue Polypropylene. The polyester net is welded to the leaf net frame.

Code	Description	Weight	Volume
		(kg)	(m <sup>3</sup> )
<b>00510935</b>	Leaf Net Deep	0.3	0.008
<b>00510925</b>	Leaf Net Deep	0.3	0.008



00510925



CS353

#### Cleanstar Floating Hose

High-performance vacuum hose Ø38mm / 1 1/2" with smooth internal walls to improve flow. Includes glued cuffs at each end. Shrink-wrap packaging.

Code	Description	Weight	Volume
		(kg)	(m <sup>3</sup> )
<b>CS353</b>	Cleanstar Floating Hose 10 mtr	3	0.008
<b>CS355</b>	Cleanstar Floating Hose 12 mtr	4.5	0.008
<b>CS396</b>	Cleanstar Floating Hose 15 mtr	5.6	0.008
<b>CS357</b>	Cleanstar Floating Hose 30 mtr	11.2	0.008

### Test Kit



CS529

#### Cleanstar 3-Way Test Kit pH & CL/BR

Measures pH, bromine / chlorine. Easy to read, and a more accurate scale. Includes 20ml (0.7 Fl. Oz.) phenol red & OTO reagents. Reagent bottles equipped with safety tops, for extra security.

Code	Description	Weight	Volume
		(kg)	(m <sup>3</sup> )
<b>CS529</b>	CS 3-Way Test Kit	0.4	0.008

#### Cleanstar 2-Way Test Kit Refills OTO & pH RED

20ml (0.7 Fl. Oz.) phenol red & OTO reagents. Reagent bottles equipped with safety tops, for extra security.

Code	Description	Weight	Volume
		(kg)	(m <sup>3</sup> )
<b>CS102</b>	CS 2-Way Test Refills	0.2	0.008



CS102

# Maintenance Accessories

## CLEANSTAR SERIES



### Lovibond Scuba II Digital Test Kit



00505078

- Every pool owner should check the most important parameters in his pool at regular intervals. This is the only way to ensure that water quality is maintained at the right level and to arrange dosing in an optimum manner.
- The Scuba II enables the operator to check the pool water quickly and accurately. The integrated sample chamber is filled by immersing it in the water.
- A tablet reagent is added and generates a characteristic colour which can be measured using the photometric principle. The result is then displayed on the screen. Five parameters: free chlorine, total chlorine, pH, alkalinity and stabilizer (cyanuric acid) are measured within a few minutes.

Code	Description	Optics	Power	Display	Dimensions	Weight
					(mm)	(kg)
00505078	Scuba II Test Kit	Temperature-compensated LED ( $\lambda = 530 \text{ nm}$ ) and photo-sensor	2 batteries (AAA), capacity ca. 100 tests	LCD	145 x 70 x 45	0.165

### Floating Dispenser



Allows easy dosage of pool chemicals with capacity for 4 tablets, 200 grams each.

Code	Description	Diameter of tablet	Unit
		inch	
00505338	Floating dispenser	3"	1



CS608



### Cleanstar Jumbo Float Thermometer

Jumbo size with an easy-to-read scale. Can be read without having to take the thermometer out of the water. Securing cord included. 0°C - 50°C temperature range. Floats on pool surface. 40 cm height.

Code	Description	Weight	Volume
		(kg)	(m <sup>3</sup> )
CS608	CS Jumbo Float Thermometer	0.4	0.008



CS785

### Cleanstar Character Thermometer

Each item is in complete clamshell packaging, or ready-to-sell color display tray of 12pcs. High quality roto-molded body in 6 phthalate free-material. Large clear view thermometer scale. Includes securing cord. Characters like duck, dolphin, turtle, etc.

Code	Description	Weight	Volume
		(kg)	(m <sup>3</sup> )
CS785	CS Character Thermometers	0.1	0.008

INSPIRED  
ByWater

**ATECPPOOL**

 **BWT** GROUP

 [atecpool.com](https://atecpool.com)

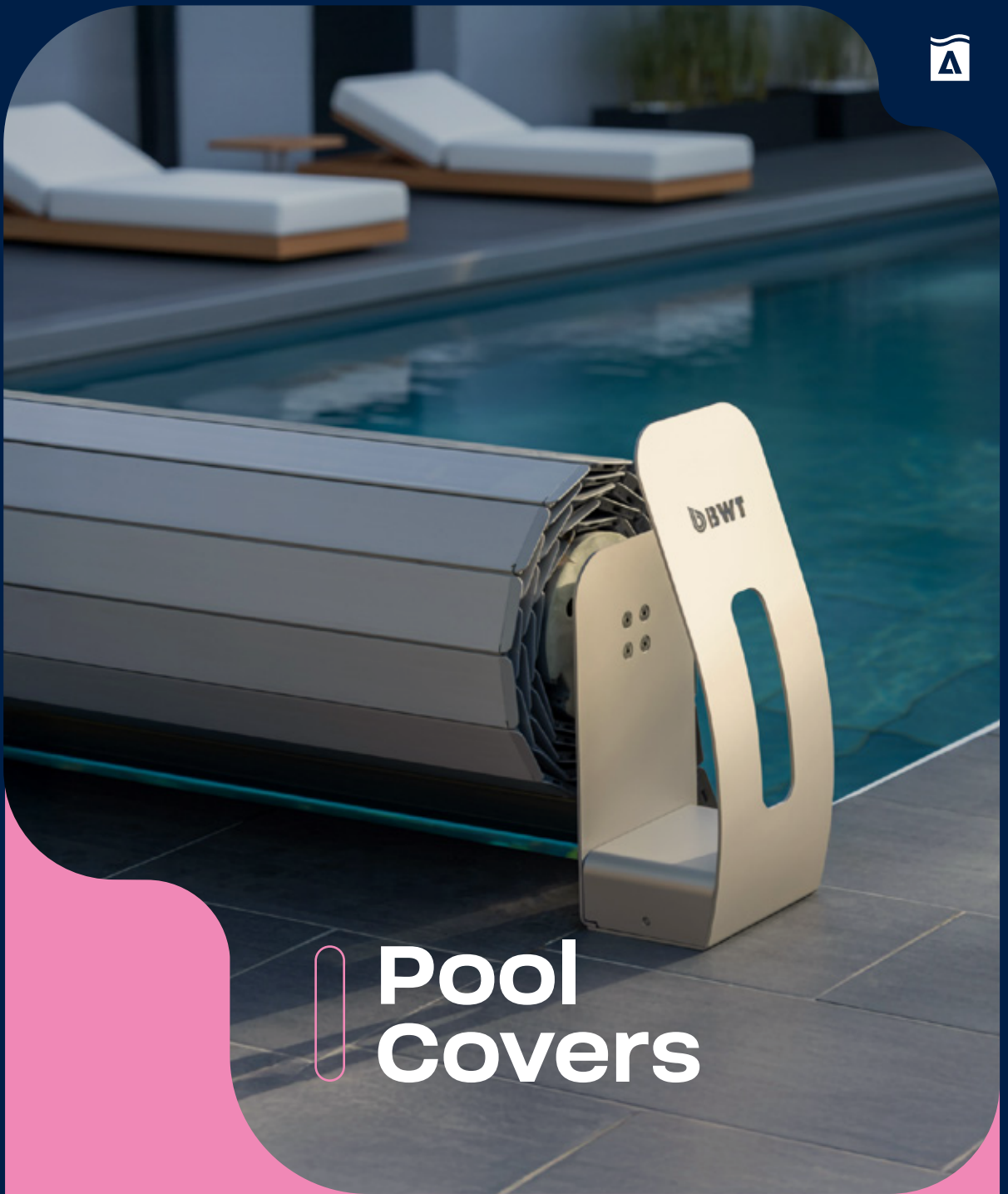


INSPIRED  
ByWater

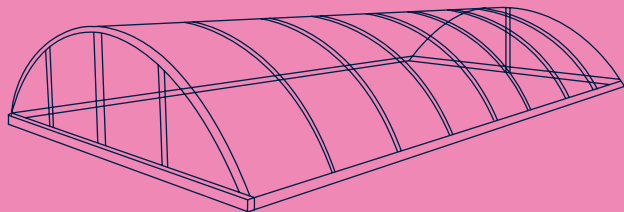
[atecpool.com](http://atecpool.com)



atecpool.com



# Pool Covers



INSPIRED  
ByWater

**ATECPOOL**

BWT GROUP

# Pool Covers

ECOVA A COMPLETE RANGE

**ecova**  
BY BWT

## A unique, complete and aesthetic range

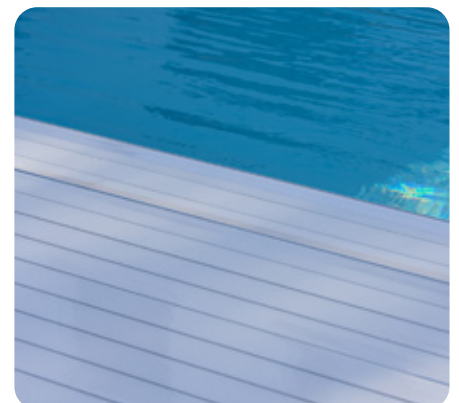
OF AUTOMATIC COVERS FOR A SAFE, SUSTAINABLE AND CLEAN POOL

**Ecova offers a range of above-ground and submerged covers, combining design with maximum safety.**

**Our covers are made in France and close attention is paid to quality and aesthetics.**

### Strengths :

- Made in France: high-quality expertise guaranteed.
- Elegant design: blends perfectly with your outdoor space.
- Easy to install: quick and easy installation.
- Maximum safety: compliant with standards.
- Two types of slats: choose the quality that's right for you.



### Sustainable

**Ecova** reduces heat loss and evaporation in the swimming pool. It therefore reduces your energy bill and your water consumption.

### Safety

**Ecova** covers the pool, protects your children and pets and can hold up to 100 kg. Conformity to the French norm NF P90-308

### Clean

**Ecova** protects the water from plants, insects and dust and limits cleaning. It limits the development of algae.

# Pool Covers

NEW: BWT SUBÉO & BLUETOOTH

## BWT SUBÉO, the new automatic cover

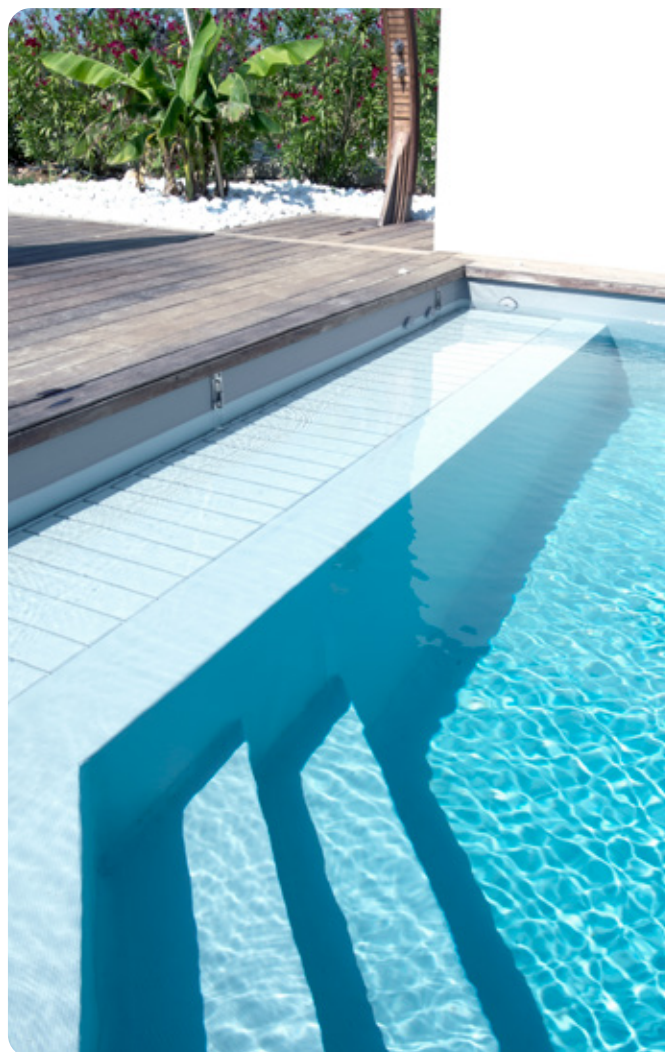
WITH SUBMERGED GRATING, DESIGNED AND DEVELOPED FOR AESTHETIC APPEAL AND EASE OF INSTALLATION AND USE.

### Aesthetics:

- New grating for a perfect finish:
  - 5 grating finishes, 4 in PVC and 1 in aluminium.
  - Grating cap in grained ABS finish.
  - The decor can be changed without replacing the entire grating.
- Adjust the gap between 2 grating slats to fit the width of the pool perfectly.

### Easy to install and use:

- Several installation solutions:
  - 2 beams + concrete wall
  - 1 beam + concrete wall
  - 2 beams + PPS panels
- 2 fixing systems:
  - Pool Fittings (PaS) or wall mounting (FM)
- A new design for a light, strong beam without a deflector.
- The grating is fixed to the beam using a quick, easy and safe clip system, allowing quick access for cleaning the pit.
- A design with margin for error:
  - Vertical compensation of the fastening system:
    - ± 20 mm (PaS) and ± 10 mm (FM)
  - Adjustment of the grating rail to allow tolerance in the positioning of the beams.
- An installation tool is available that eliminates the need for civil engineering and makes installation much easier. It is designed for all BWT SUBÉO covers.



## New: Manage your automatic cover from the BWT Best Water Home app



BWT Best Water Home



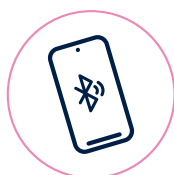
BWT ECOVA BLUETOOTH REMOTE



Open & Close control



LED management on the BWT Pearl Protect



Built-in Bluetooth module across the BWT Pearl Protect range and optional on other models



# Pool Covers

## THE CARBON FOOTPRINT OF SWIMMING POOLS

REDUCING

### The carbon footprint of swimming pools

Submerged or above ground to protect the temperature and evaporation in the pool water.

# -27%

of electricity consumption



FPP Propiscines 2024  
film campaign



# Pool Covers

ENERGY SAVING



## BWT swimming pool covers,

A COMPREHENSIVE RANGE 100% MADE IN FRANCE

Whatever the season, your customer's pool needs protecting.

# -95%

evaporation\* by covering your pool



### Blocks water evaporation

BWT covers shield against the sun and heat, helping to protect pool water.



### Retains heat

Controls heat transfer, allowing you to manage the pool environment and maintain it at the desired temperature, 27% reduction in electricity consumption\*\*



### Cleaner water

Helps maintain a pleasant, warm bathing environment by stopping the growth of algae and blocking natural debris.

Cleaner water will require less filtration and fewer treatment products.



### Enhanced safety

BWT covers protect your customers' investment in their pool.

In addition, the BWT automatic cover range protects against falls and complies with standard NF P90-308.

\*California Polytechnic State University, 2016

# Pool Covers

ECOVA A COMPLETE RANGE

## A PVC slat that is unique

ON THE MARKET



- Hook fastening system.
- Improved transmission of force for STARDECK INÉO covers.
- Improved resistance to rolling the wrong way.
- The rigid slats feature 3 air chambers, giving them excellent buoyancy.

### An exclusive anti-tilt mechanism

- The slats comprising all our cover aprons are fitted with an anti-tilt system with the smallest angle of deflection achieved by any slat cover available on the market. This confers an increased load bearing capacity on the cover and so, better protection against accidental falls into the water.

### Angle between two slats: $-50^{\circ}$ to $+15^{\circ}$

### A beautiful finish

- Each cover is designed to harmoniously follow the contours of your pool. A wide choice of slat colours allows you to add an additional touch of refinement to your pool setting.

### Plugs

- End plugs ultrasonically welded to each end allowing 1 mm of translation movement.

### Presentation on delivery

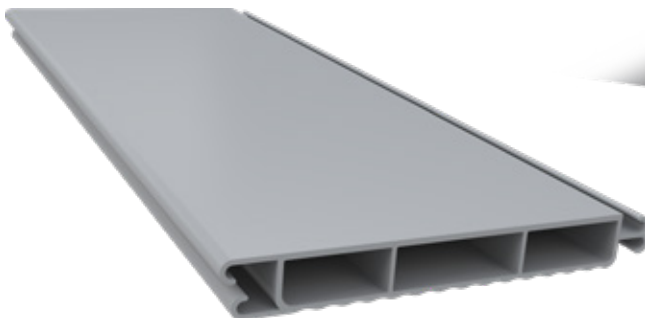
- Delivered in pre-assembled sets of 6 slats, assembly is 2 to 3 times faster,
- Slat accessories are mounted in the factory.

### Slot and slide assembly

- Simplifies assembly of the cover apron,
- The method of assembly, unlike assembly by clipping, protects the hinge.

### Assembly by clipping

- Compatible with pools up to 4 m wide,
- Suitable for pools located in areas without much room for manoeuvre.



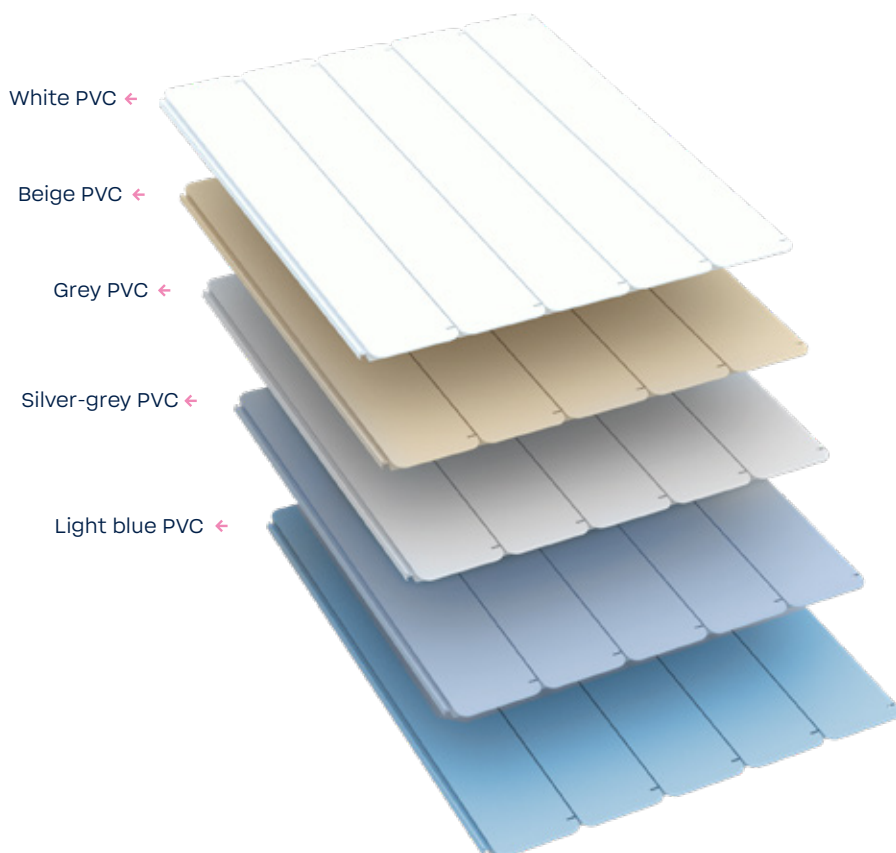
The surface area of the cover slat apron is calculated based on the exact width and length of the pool without any additions.

# Pool Covers

## SLAT APRON

### PVC Slat Cover Aprons

Family 6900



White PVC ←

Beige PVC ←

Grey PVC ←

Silver-grey PVC ←

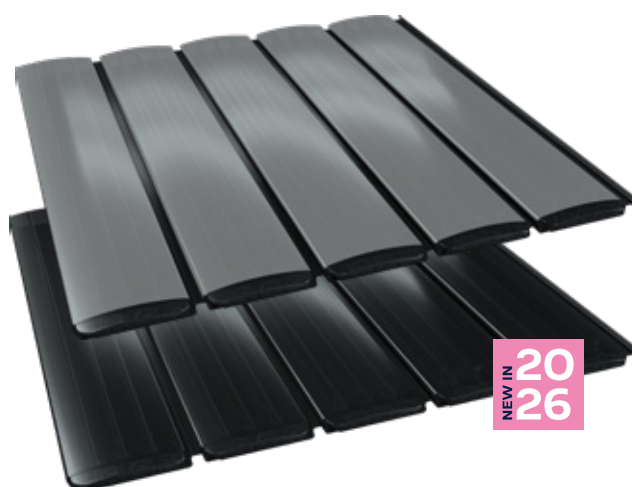
Light blue PVC ←

Description	White PVC	Beige PVC	Grey PVC	Silver-grey PVC	Light blue PVC
Code	32000300	32000500	32000800	32000810	32000100

The colours of the slats are similar to the colours of the liners and pool fittings. Except for silver-grey PVC.

### Polycarbonate Slat Cover Aprons

Family 6900



Silver + black ←

Anthracite gray + black

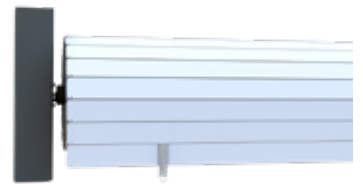
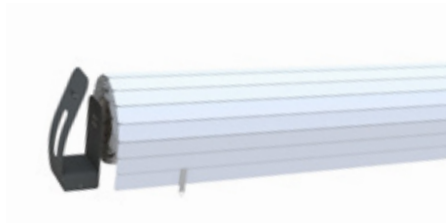
NEW IN 2026

→ Polycarbonate slats are only allowed for submerged cover with a stepped finish

Description	Silver + black	Anthracite gray + black
Code	33040000	33040200

# Pool Covers

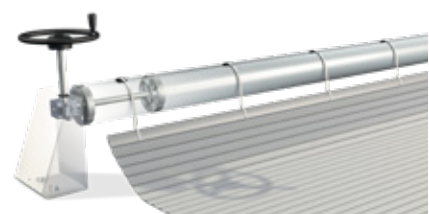
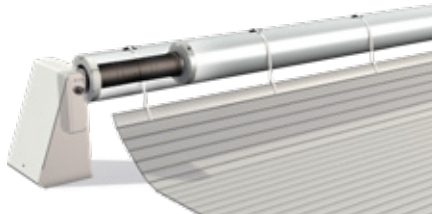
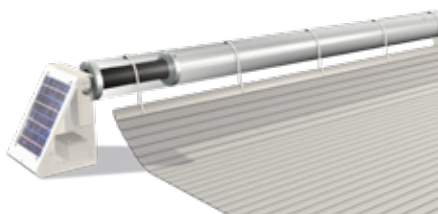
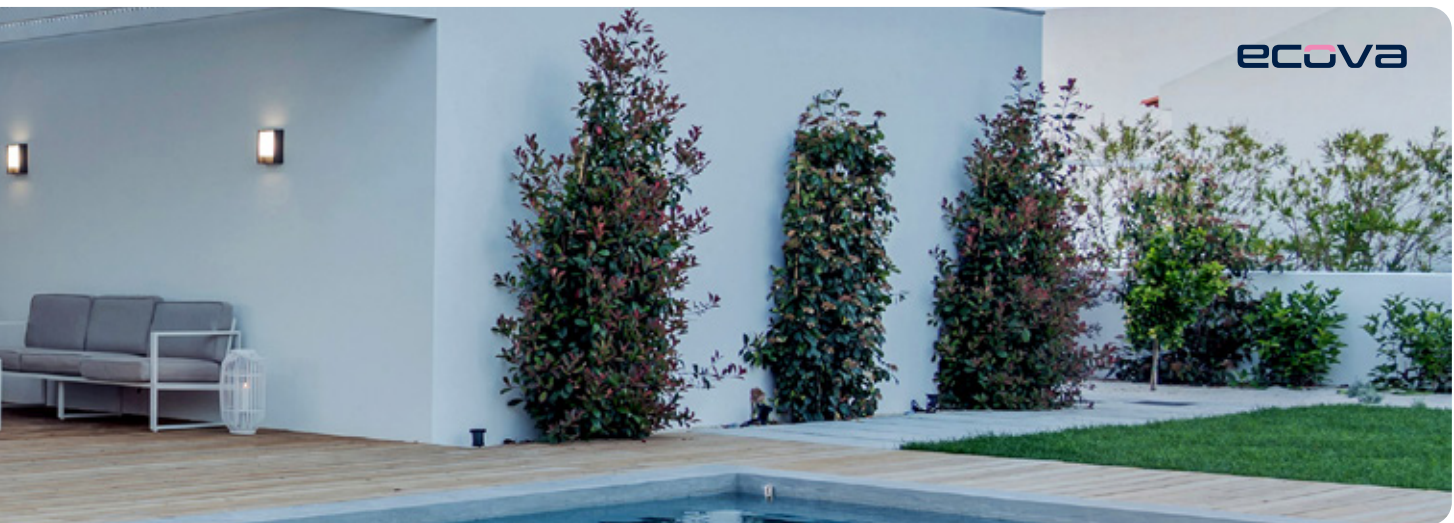
## ABOVE-GROUND AUTOMATIC COVER



Model	BWT PEARL PROTECT	BWT AQUAMATIC
<b>Technical Data</b>		
Axle	Anodised Aluminium Ø 190mm	Anodised Aluminium Ø 190mm
Ends of travel	Mechanical	Mechanical
Maximum pool dimensions	10 x 5.09 m	12 x 5.09 m
Safety fasteners		
PVC slat apron colours		
End stand colours		
Electrolyser Contact	✓	✗
Bluetooth	✓	✓ Option
<b>Standards / guarantees</b>		
Standard compliance	<b>NF P90-308</b>	<b>NF P90-308</b>
Guarantee	5 years	2 years

# Pool Covers

## ABOVE-GROUND AUTOMATIC COVER



AQUADECK ES	AQUADECK EC	AQUADECK EM
Anodised Aluminium Ø 190/192 mm	Anodised Aluminium Ø 190/192 mm	Anodised Aluminium Ø 190mm
Electronic	Electronic	X
14 x 6,09 m	14 x 6,09 m	12 x 5,09 m
X	X	X
X	X	X
<b>NF P90-308</b>	<b>NF P90-308</b>	<b>NF P90-308</b>
5 years	5 years	5 years

### ORDER AN ABOVE-GROUND COVER IN 4 STEPS

- 1 Choose the colour of the cover slats
- 2 Choose the step piece
- 3 Choose the fastening system
- 4 Choose an above-ground mechanical assembly

# Pool Covers

## BWT PEARL PROTECT

Scan to watch the video!



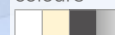
- Fast installation.
- Reliable end of travel system.
- Visual appeal/ Clean design
- The grain of the Qualicoat paint on lacquered models helps protect against scratchings.
- Complies with NF P90-308 standard.
- The top of the axle is level with the small side of the end stand.
- The top of a 10 m cover when rolled up reaches the top of the rear part of the leg, at a height of 500 mm.
- Bluetooth remote control



Version with LEDs:  
Back-lighting of both end stands

Anodised Aluminium axle assembly, Ø 190 mm

bwt Pearl Protect end stands available in 4 colours



Axle height 275 mm

Drive motor, 80 N.m with mechanical ends of travel

Slat apron available in 4 colours



210 mm  
165 mm



All BWT automatic covers can be fitted with a customised straight, roman or custom shaped step pieces. Choice of two step finishes: stepped or shaped.

### Mechanical assembly:

- Anodised Aluminium axle fitted with a drive motor
- 80 N.m motor with mechanical ends of travel
- Electrolyser contact
- Remote installed key switch

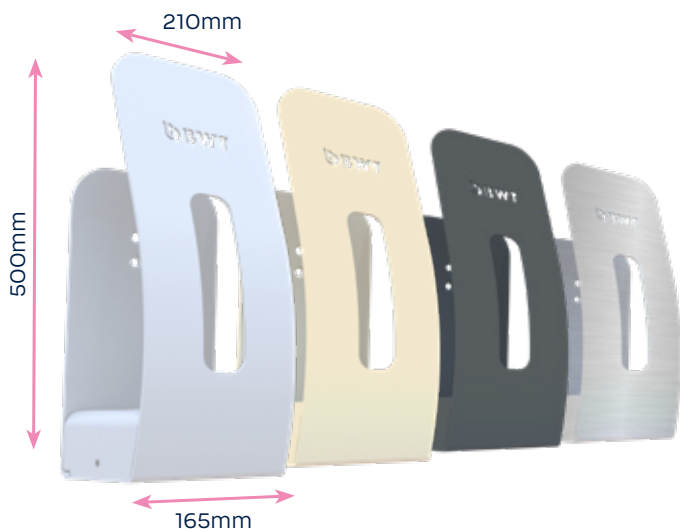
- Version without LED lighting
- Version with LED lighting:
  - Backlighting of both end stands
  - Colour LEDs with remote control
- Integrated Bluetooth remote control module

### Order an above-ground cover in 4 steps

- 1 Choose the colour of the cover slats
- 2 Choose the step piece
- 3 Choose the fastening system
- 4 Choose an above-ground mechanical assembly

# Pool Covers

## BWT PEARL PROTECT



## Unique on the market!



**Version with LEDs:**  
Backlighting of both end stands.  
Colour LEDs with remote control.



**Version without LEDs.**

Code	Description
<b>Pearl Protect with LEDs</b>	
38262300	Pearl protect mechanical assembly with LEDs < 3.10 m, white
38260500	Pearl protect mechanical assembly with LEDs < 3.10 m, beige
38260600	Pearl protect mechanical assembly with LEDs < 3.10 m, anthracite
38260000	Pearl protect mechanical assembly with LEDs < 3.10 m, anodised
38260100	Pearl protect mechanical assembly with LEDs < 3.10 m, color addict
38264300	Pearl protect mechanical assembly with LEDs < 4.10 m, white
38261500	Pearl protect mechanical assembly with LEDs < 4.10 m, beige
38261600	Pearl protect mechanical assembly with LEDs < 4.10 m, anthracite
38261000	Pearl protect mechanical assembly with LEDs < 4.10 m, anodised
38261100	Pearl protect mechanical assembly with LEDs < 4.10 m, color addict
38266300	Pearl protect mechanical assembly with LEDs < 5.10 m, white
38263500	Pearl protect mechanical assembly with LEDs < 5.10 m, beige
38263600	Pearl protect mechanical assembly with LEDs < 5.10 m, anthracite
38263000	Pearl protect mechanical assembly with LEDs < 5.10 m, anodised
38263100	Pearl protect mechanical assembly with LEDs < 5.10 m, color addict
<b>Pearl Protect without LEDs</b>	
38250300	Pearl protect mechanical assembly without LEDs < 3.10 m, white
38250500	Pearl protect mechanical assembly without LEDs < 3.10 m, beige
38250600	Pearl protect mechanical assembly without LEDs < 3.10 m, anthracite
38250000	Pearl protect mechanical assembly without LEDs < 3.10 m, anodised
38250100	Pearl protect mechanical assembly without LEDs < 3.10 m, color addict
38251300	Pearl protect mechanical assembly without LEDs < 4.10 m, white
38251500	Pearl protect mechanical assembly without LEDs < 4.10 m, beige
38251600	Pearl protect mechanical assembly without LEDs < 4.10 m, anthracite
38251000	Pearl protect mechanical assembly without LEDs < 4.10 m, anodised
38251100	Pearl protect mechanical assembly without LEDs < 4.10 m, color addict
38252300	Pearl protect mechanical assembly without LEDs < 5.10 m, white
38253500	Pearl protect mechanical assembly without LEDs < 5.10 m, beige
38253600	Pearl protect mechanical assembly without LEDs < 5.10 m, anthracite
38253000	Pearl protect mechanical assembly without LEDs < 5.10 m, anodised
38253100	Pearl protect mechanical assembly without LEDs < 5.10 m, color addict



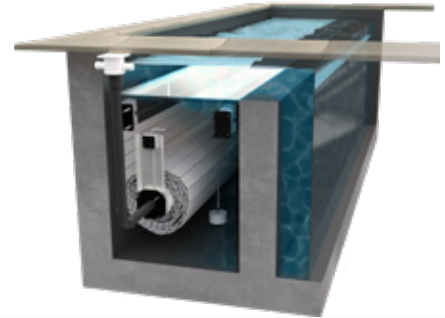
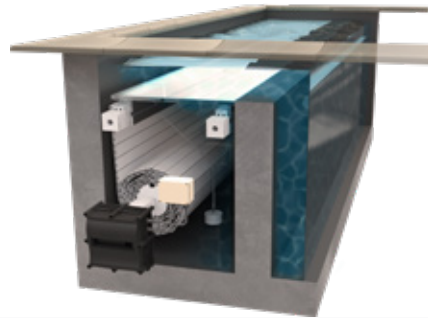
### Order an above-ground cover in 4 steps



# Pool Covers

## SUBMERGED AUTOMATIC COVER

ecova



**BWT SUBÉO**

**BWT SUBÉO AX-IN**

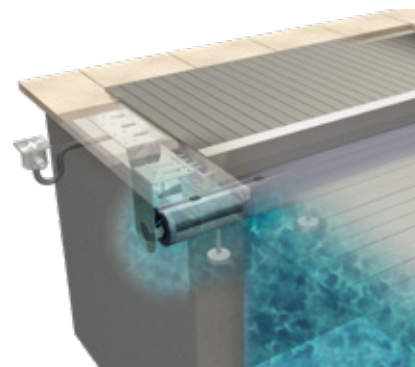
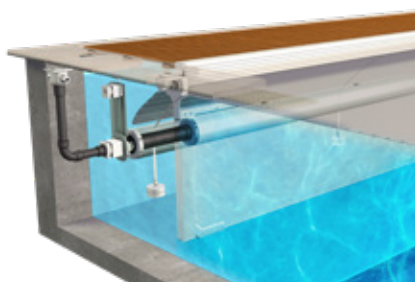
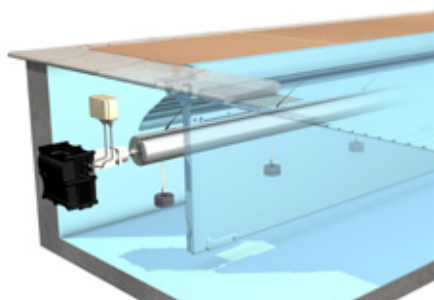
### Technical Data



















<b>Axle</b>	Anodised Aluminium Ø 150/180 mm	Anodised Aluminium Ø 190/192 mm
<b>Ends of travel</b>	Electronic	Electronic
<b>Maximum dimensions</b>	Max length: 16 m Max width: 8,09 m	Max length: 16 m Max width: 6,09 m
<b>Declutchable</b>	✓	Available as an option
<b>Wall mounted or sealed in</b>	✗	✓
<b>Pit wall</b>	✓	✓
<b>Pit wall</b>		
<b>Safety fastener</b>		
<b>PVC slat Apron colours   Solid PVC</b>		
<b>Polycarbonate slat Apron colours</b>		
<b>Duckboarding</b> pvc   wood   welded   tiled   aluminium		
<b>Aluminium beam</b>	Anodised	Anodised
<b>Bluetooth</b>	✓ Option	✓ Option
<b>Standards / guarantees</b>		
<b>Standard compliance</b>	<b>NF P90-308</b>	<b>NF P90-308</b>
<b>Guarantee</b>	5 years	5 years

# Pool Covers

## SUBMERGED AUTOMATIC COVER

ecova



BWT STARDECK & STARDECK HIGH WATER LEVEL	BWT STARDECK AX-IN & STARDECK AX-IN HIGH WATER LEVEL	BWT COVERDECK AX-IN & COVERDECK AX-IN HIGH WATER LEVEL
Anodised Aluminium Ø 150/180/250 mm	Anodised Aluminium Ø 190/192 mm	Anodised Aluminium Ø 190/192 mm
Electronic	Electronic	Electronic
max length, standard water level: 23 m max length, high water level: 16 m Max width: 8.09 m	max length, standard water level: 20 m max length, high water level: 15 m Max width: 6.09 m	Max length :14 m - Max width: 6.09 m
✓	Available as an option	✓
✗	✓	✗
✓	✓	✗
		
		
		
		
		
 Lacquered	 Lacquered	 Lacquered
✓ Option	✓ Option	✓ Option
<div style="background-color: #e91e63; color: white; padding: 2px 10px; display: inline-block;">NF P90-308</div>	<div style="background-color: #e91e63; color: white; padding: 2px 10px; display: inline-block;">NF P90-308</div>	<div style="background-color: #e91e63; color: white; padding: 2px 10px; display: inline-block;">NF P90-308</div>
5 years	5 years	5 years

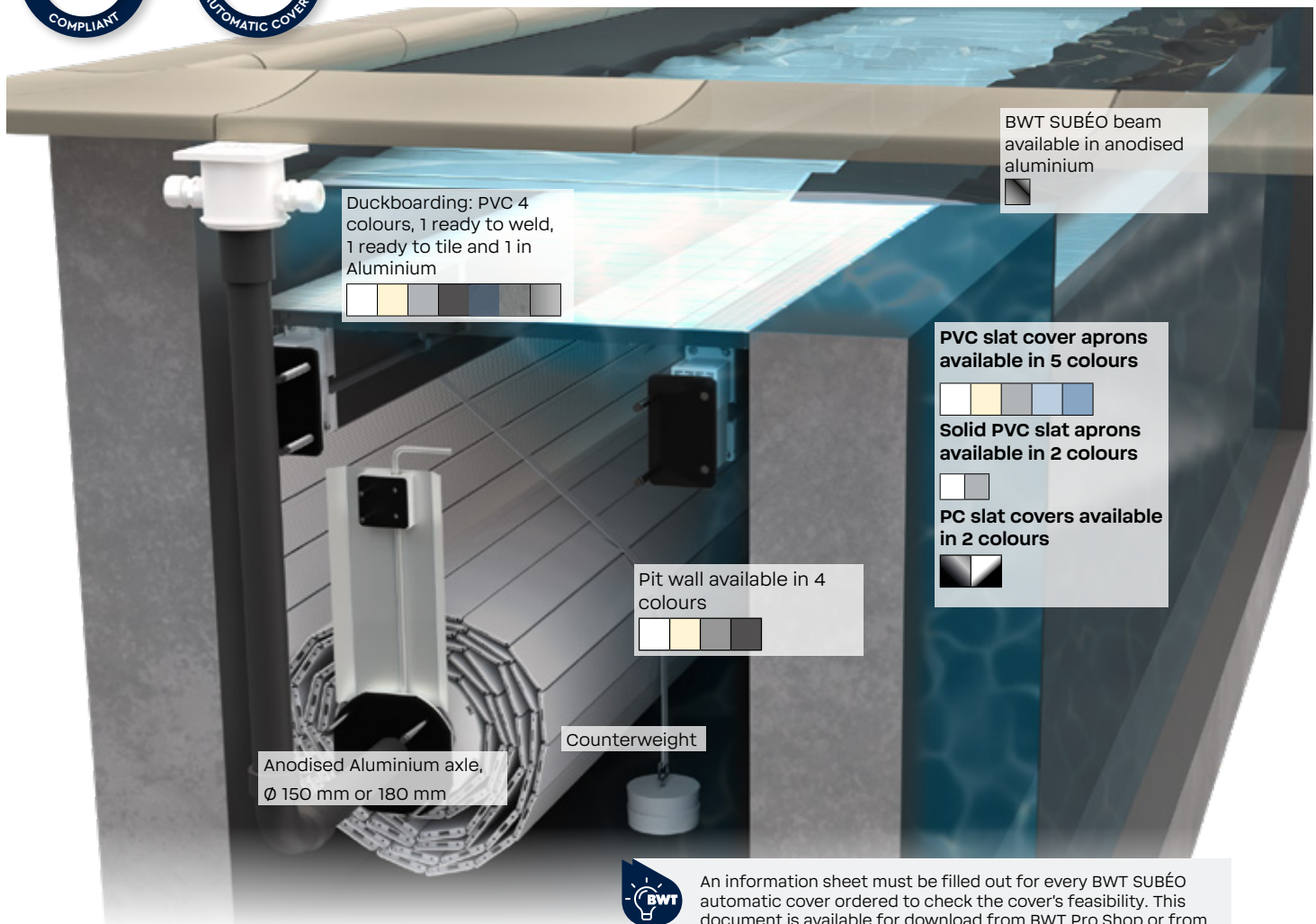
# Pool Covers

BWT SUBÉO AX-IN

NEW IN  
20  
25



BWT SUBÉO is designed for pools with sharp corners and in 150/100th, tiled or concrete. The flap box must be fitted with a bottom drain and a return.



An information sheet must be filled out for every BWT SUBÉO automatic cover ordered to check the cover's feasibility. This document is available for download from BWT Pro Shop or from your BWT Pool Products agent.

## ORDER A SUBMERGED COVER IN 9 STEPS

- 1 Choose the colour of the slat apron
- 2 Choose the step piece
- 3 Choose the fastening system
- 4 Choose the mechanical assembly
- 5 Choose the beam and the brackets

# Pool Covers

## BWT SUBÉO AX-IN



### Mechanical assemblies:

- 1 anodised Aluminium axle, Ø 190 mm or 192 mm depending on the width and depth of the pool,
- 1 leaktight motor located in the cover axle,
- 1 ABS deck box,
- 1 control panel
- 3 or 4 counterweights depending on the pool width.



- Specially designed for easy installation,
- Lightweight, ultra-strong beam,
- Installation without deflector,
- New grating with interchangeable finish,
- Submerged enclosure with adjustable gap between 2 grating slats,
- Grating simply clips in place,
- Vertical compensation of the fixing system,
- Motor in dry pit,
- Limit switch management box,
- Optional Bluetooth
- Optional installation tool
- Available in non-declutchable version and declutchable version that allows the pool to be secured in the event of a power outage or motor failure.
- Comes in sealed fitting and wall mounted fitting versions

NEW

NEW



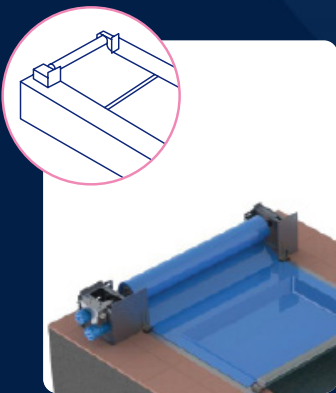
Installation  
video

Code	Description
<b>Mechanical structure</b>	
32204000	Mechanical assembly BWT Subéo AX-IN C120, Ø 190, for pools less than 3.10 wide
32204100	Mechanical assembly BWT Subéo AX-IN C120, Ø 190, for pools less than 4.10 wide
32204300	Mechanical assembly BWT Subéo AX-IN C120, Ø 190, for pools less than 5.10 wide
32204500	Mechanical assembly BWT Subéo AX-IN C120, Ø 192, for pools less than 6.10 wide
32206099	Mechanical assembly BWT Subéo AX-IN C300, Ø190, for pools less than 3.10 wide
32206100	Mechanical assembly BWT Subéo AX-IN C300, Ø190, for pools less than 4.10 wide
32206300	Mechanical assembly BWT Subéo AX-IN C300, Ø190, for pools less than 5.10 wide
32206500	Mechanical assembly BWT Subéo AX-IN C300, Ø192, for pools less than 6.10 wide
<b>Accessories</b>	
32299100	Bluetooth remote control option, Immersed*
45000015	Deck box BWT Subéo AX-IN, white
45000815	Deck box BWT Subéo AX-IN, grey
45000515	Deck box BWT Subéo AX-IN, beige

\*can only be ordered with a structure.

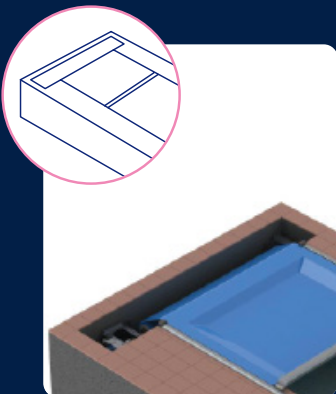


# AtecPool Manual Safety Pool Cover



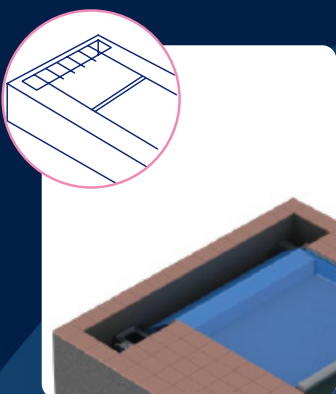
## FLAT/TOP Track TOP Mechanism

This installation is ideal for existing pools as it requires minimal work to be carried out around your pool. The track is positioned on the patio or the coping stone along the pool and the mechanism is installed on the deck level. It is the easiest solution for existing pools but can also be used for pools which are newly built.



## FLAT/TOP Track UNDER Mechanism

If you are considering/willing to have some work done around your existing pool, or if you have a freeform / odd-shaped pool / overflow pool, this type of installation could be most suitable. The principle is the same as described above except that the mechanism is positioned inside a pit below the deck level. The pit for the mechanism must be built according to DPC requirements.



## UNDER Track UNDER Mechanism

This type of installation is used only for rectangular newly-constructed skimmer-type pools or skimmer-type pools which are being renovated. This is because the track must be installed under the coping stones and above the level of the water. The mechanism is usually installed below the deck level in this case, so a pit for the mechanism must be built.

# Atecpool Pool Covers

## MANUAL SAFETY COVERS



### Manual Safety Pool Cover

Manual safety pool cover is the most cost-effective way of making your pool safe. The system has the same basic components (tracks, leading bar, roller and canvas) as the automatic safety cover. A mechanism with crank is used to wind up the canvas on the roller and uncover the pool, and a rope is used to pull the cover on to the pool to close it.

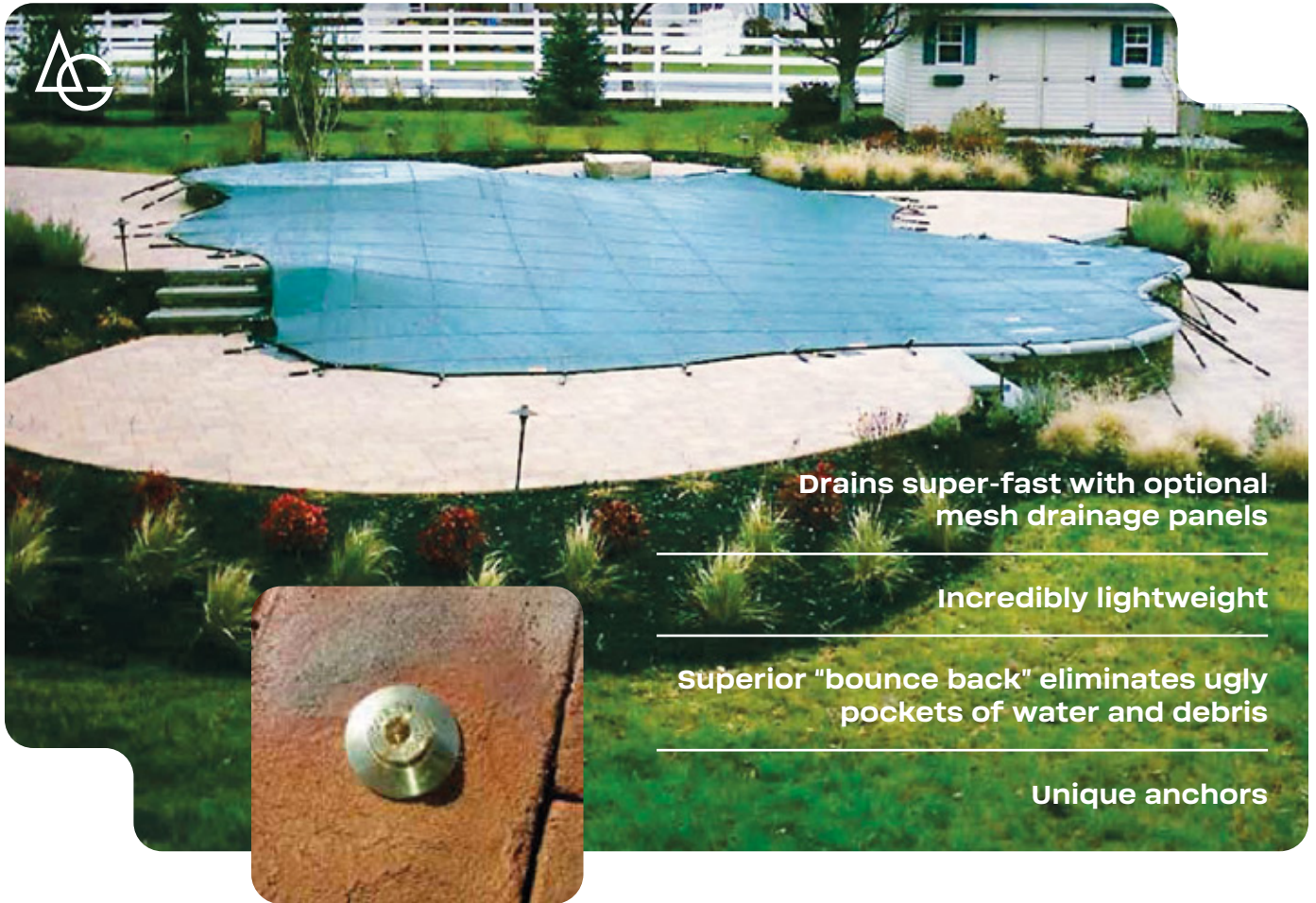
Available with UNDER (recessed) mechanisms, which means that they can also be concealed inside a purpose-made pit like the automatic covers. The size of the pit and tracks used are the same as the automatic covers, making it easy to upgrade to an automatic cover.

Safety Cover Ordering Info: Please consult our service team with ordering information such as Length, Width, Diagonal pool measurements, selection of Top/ Flat/In-wall Tracks, Coping type and size, Coping overhanging measurements, Track Positioning etc.



# Atecpool Pool Covers

## MANUAL SAFETY COVERS



Drains super-fast with optional mesh drainage panels

Incredibly lightweight

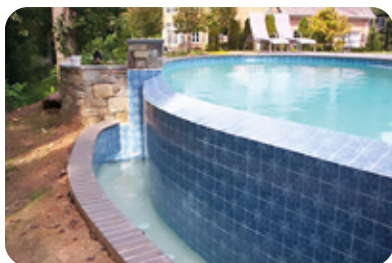
superior "bounce back" eliminates ugly pockets of water and debris

Unique anchors

### Loop-Loc - Super Dense Mesh

**Protect your family with the only mesh pool cover that passed the elephant test.**

Is environmentally-friendly because its 100% ultra-strong polypropylene material (0% vinyl) is 100% recyclable. Bounces back better and drains super fast. No more ugly pockets of water and debris that is found with typical solid vinyl covers. Requires no scrubbing or heavy maintenance like solid waterbag covers. And it's much lighter in weight than typical solid vinyl covers, so putting it on and taking it off your pool is a snap! Fits any pool or spa perfectly, from a simple square to a complex installation with a custom cover.



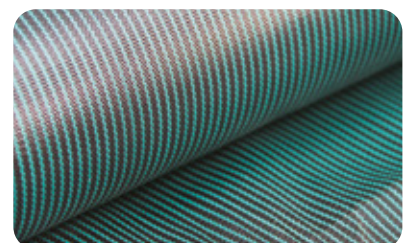
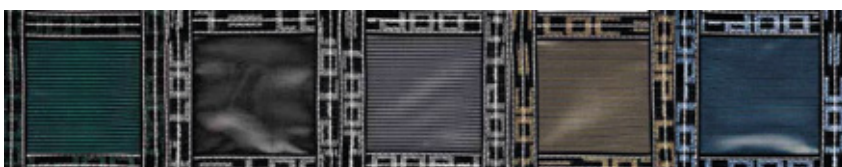
Before



After



Complement your outdoor decor - Choose your colour

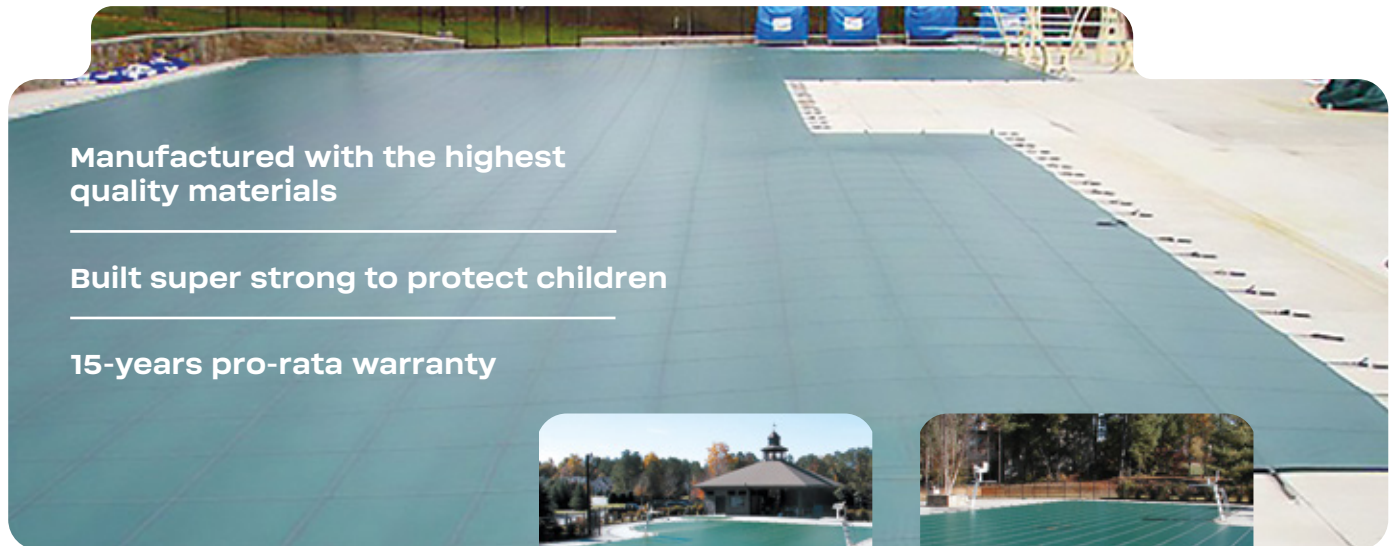


# Atecpool Pool Covers

## MANUAL SAFETY COVERS

### Commercial Safety Covers

LOOP-LOC® keeps your facility safe and saves you money. In the off season, an empty, unsupervised commercial pool can be an invitation for disaster. Locked gates or fences alone have often proved ineffective in preventing children and pets from gaining access to the pool area.



Manufactured with the highest quality materials

Built super strong to protect children

15-years pro-rata warranty



### Accessories



#### Material

Polypropylene-extruded monofilament yarn. 525 denier in the warp and 595 denier in fill. 41 x 20 construction plus 80% minimum black yarn and 20% minimum green yarn for best U.V. stability. Burst strength of material is 650 P.S.I..

#### ULTRA-LOC®

Polypropylene laminated, polypropylene reinforced. UV stable, burst strength of 650PSI (min).

#### Finished Cover

To have sections approximately 3' x 3'. (For residential rectangular pools only, cover may be made with approximately 5' x 5' sections.) All straps to be "X"-tacked at cover edge with stainless steel buckles and aluminum tips.

#### Chafing strips

(Under cover) 1" minimum width, 20" to 36" long (depending on cover overlap) extruded solid, virgin vinyl 3/16" thick. All inside corners heavily padded.

#### Safety Barrier

Solid, virgin vinyl 3" extrusion for raised walls, etc., and 15" extrusion for raised steps as needed to meet (or exceed) ASTM Safety Standard F 1346-91. LOOP-LOC Patent No. 4,982,457.

#### Thread

Dabond polyester Veemo - UVR. Size 138. Three rows of stitching all directions.

#### Commercial Springs

Made from the same high quality material as our standard springs, 302/304 stainless steel. Draw-bar and coil wire diameter increased to handle larger load capacities with thick vinyl tubular deck-protective covers. For covers over 2,500 sq. ft..

#### Standard Springs

302/304 stainless steel, two draw-bar compression type with thick vinyl tubular deck-protective covers. For residential applications.

#### Anchors

Brass, flush-mounted in deck with screw-type insert. 4,000 pound break strength at neck.

#### Installation Tools

30" long steel rod, with notched end and plastic grip.

#### Webbing

1" wide polypropylene, polyester with nylon filler. Minimum break strength: 2,100 pounds single. To be used double-thick for minimum strap break-strength of 4,200 pounds. Minimum 90% black yarn. (Cotton, wool or other natural fibers treated or untreated are unacceptable for safety cover use).

#### Warranty

Safety cover will have a 15-year pro-rata warranty.

Your notes here

INSPIRED  
ByWater

Blank area for notes, consisting of ten horizontal grey bars.

Your notes here

INSPIRED  
ByWater

Multiple horizontal grey bars for taking notes.

**Your notes here**

INSPIRED  
ByWater

# ATECPOOL BWT Brand

## Mission, Vision and Quality Policy

---

### — VISION

ATECPOOL BWT, inspired by water, is set to lead the swimming pool industry by positioning as the number one pool brand in the world.

---

### — MISSION

To deliver high quality products and services at competitive prices. We will ensure longevity through the loyalty of our customers, won by our dedication to timeliness, attention to detail and the highest levels of professionalism, integrity and honesty.

---

### — QUALITY POLICY

ATECPOOL BWT takes pride and honour in declaring our commitment to customer satisfaction by providing high quality products. ATECPOOL continually improves quality and is committed to strategic improvement of Quality Management Systems by adopting a fast change cycle of technology. ATECPOOL stands for establishing and implementing international standards of quality measurement, leading to an optimized utilization of resources.



# INSPIRED ByWater

**ATECPOOL**

 **BWT** GROUP

[atecpool.com](http://atecpool.com)



**ATECPOOL**

 **BWT** GROUP

# INSPIRED By Water



**ATECPOOL BWT  
A-Technologies FZCO**

Jebel Ali Free Zone  
P.O. Box: 18400 Dubai  
United Arab Emirates

+971 4 8860880  
info@atecpoolme.com

**ATECPOOL BWT  
The Netherlands**

Looskade 20 - 6041 LE  
Roermond,  
The Netherlands

+31 475 799 408  
info@atecpool.com

[atecpool.com](https://atecpool.com)

